

PARTS MANUAL

**Air Conditioning/Heat Pump
Outdoor Unit**

AC OUTDR 1UH125P1ERG

Product Code
51072-A

AU NZ

Haier

CONTENTS

INTRODUCTION	2
AC COMPONENTS	3

INTRODUCTION

BRAND	VOLTAGE	MODEL	PRODUCT CODE
Haier	220-240V 50Hz	AC OUTDR 1UH125P1ERG	51072-A

MODELS

- The models covered by this manual are listed on the front cover.
- The information detailed in this manual is subject to change without notice. The latest version is indicated by the reprint date and replaces any earlier editions.

KIT PARTS

Kit components are shown in italics. Where a part number is shown against the descriptions for these kit components, they are also available as separate items. In addition, some parts may be supplied with these kits that are not available as separate items, and are therefore either not listed, or a part number is not shown against the part description in this manual.

PARTS LIST KEY

ITALICS	Kit components or parts included are shown in italics. Refer to above notes: Kit Parts.
NI	As a part reference, indicates the part is not illustrated on the diagram.
NOT USED	As a part number, indicates the diagram part reference is not used in this manual.
NS	As a part number, indicates the part is not servicable.

NZ

Fisher & Paykel Appliances Ltd
78 Springs Road, East Tamaki
Manukau 2013
PO Box 58-546 Botany
Manukau 2163
New Zealand

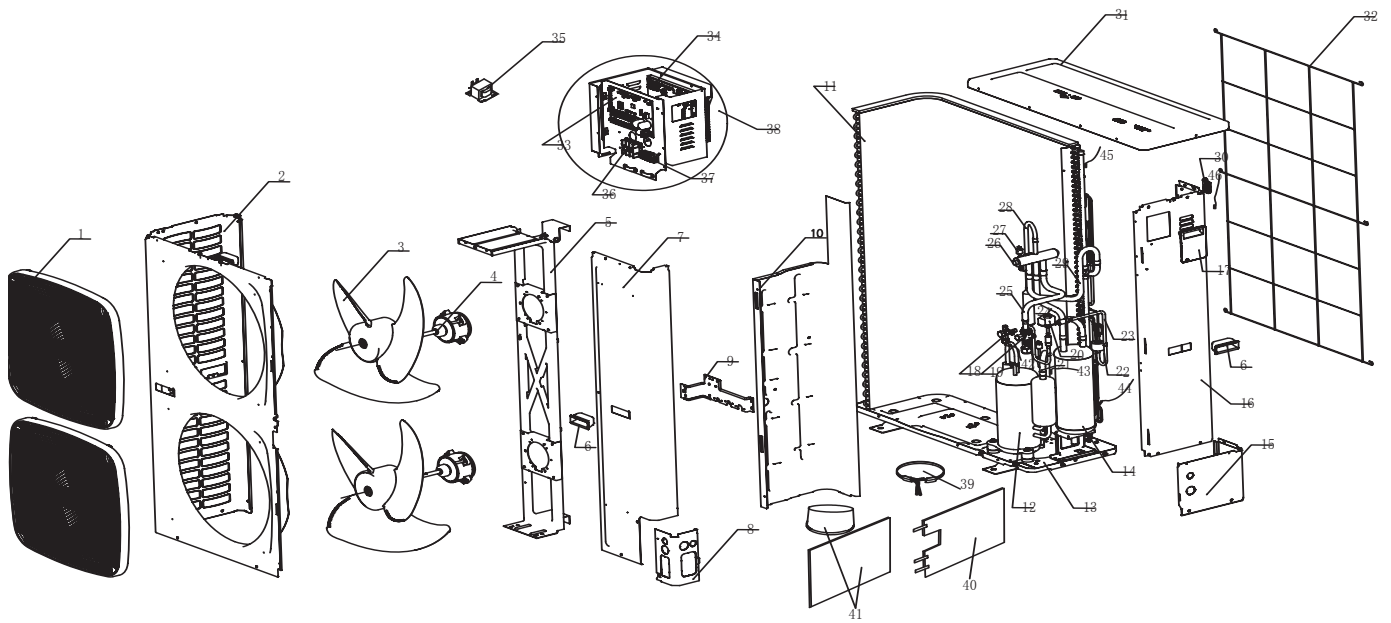
tel: 09 273 0600
fax: 09 273 0656
e-mail: nz.customercare@fisherpaykel.com

AU

Fisher & Paykel Customer Services Pty Ltd
PO Box 798, Cleveland, QLD 4163
A.C.N. 003 3335 171
19 Enterprise Street
Cleveland, QLD 4163
Australia

tel: 07 3826 9100
fax: 07 3826 9164
e-mail: aus.customercare@fisherpaykel.com

AC COMPONENTS

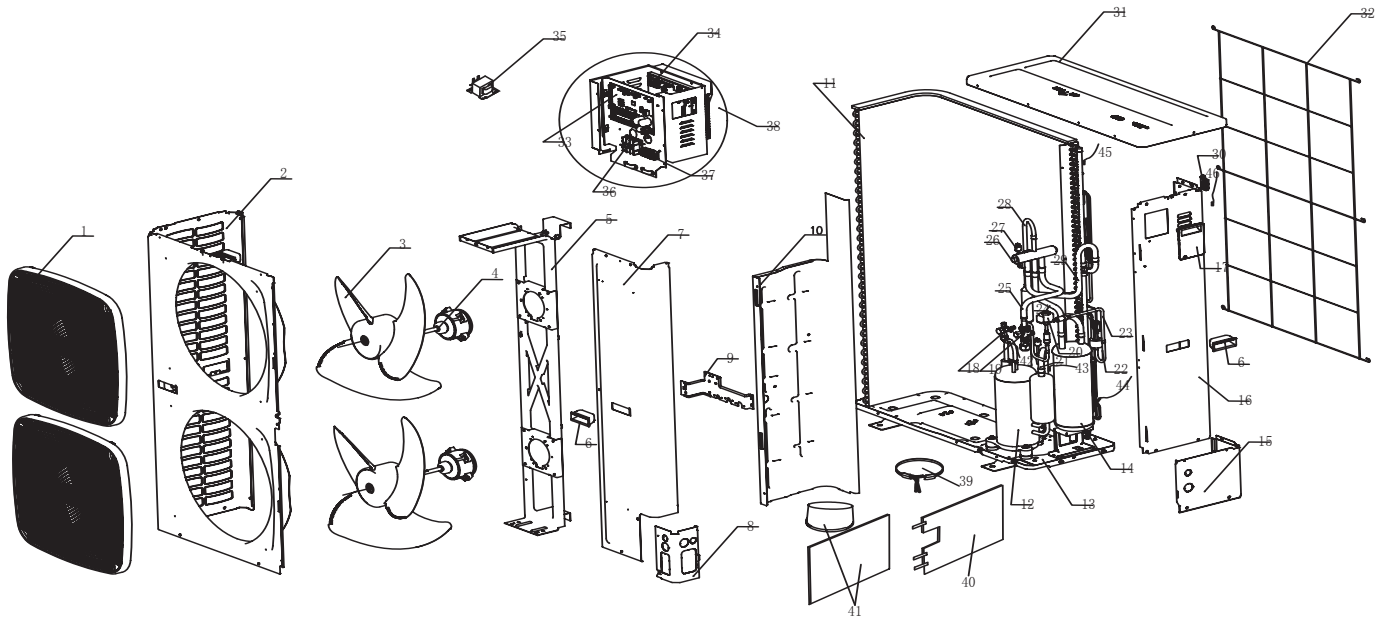


DWG004339

AC COMPONENTS

REFERENCE	PART NUMBER	PART DESCRIPTION
1	H0150201850	OUTLET GRILL
2	H0150826437	PANEL
3	H0150201647	FAN
4	H0150401804	MOTOR
5	H0150107408	MOTOR BRACKET
6	H0150201648	HANDLE
7	H0150822809	SERVICE PANEL
8	H0150826418	SMALL SERVICE PANEL
9	H0150826214	VALVE SEAT
10	H0150107428	PARTION PLATE
11	H0150715039	CONDENSOR ASSY.
12	H0150711459	COMPRESSOR
13	H0150822803	BOTTOM PLATE
14	H0150714743	ACCUMULATOR
15	H0150826421	SMALL RIGHT SIDE SERVICE PANEL
16	H0150826435	RIGHT SIDE SERVICE PANEL
17	H0150200898	GUARD COVER
18	H0150710811	STOP VALVE(LIQUID SIDE)
19	H0150714736	STOP VALVE(GAS SIDE)
20	H0150702962	ELECTRONIC EXPANSION VALVE ASSY.
21	H0150714779	SUCTION PIPE ASSY.
22	H0150716249	SUB-COOLED PIPE ASSY.
23	H0150714694	EXPANSION INLET VALVE
24	H0150716304	S PIPE OF 4-WAY STOP VALVE
25	H0150716302	E PIPE OF 4-WAY STOP VALVE
26	H0010450235E	4-WAY STOP VALVE ASSY.
27	H0150400474	HIGH PRESSURE SWITCH
28	H0150714607	D PIPE OF 4-WAY STOP VALVE
29	H0150716303	C PIPE OF 4-WAY STOP VALVE
30	H0150200850	AMBIENT TEMP.SENSOR CLAMP
31	H0150822814	TOP COVER ASSY.
32	H0150107409	BACK GRILL
33	H0151800054B	PCB
34	H0150401825	DRIVER MODULE

AC COMPONENTS



DWG004339

DWG004338

AC COMPONENTS

REFERENCE	PART NUMBER	PART DESCRIPTION
35	H0150401973	REACTOR
36	H0010451258E	POWER SUPPLY TERMINAL
37	H0010451265E	COMMUNICATION TERMINAL
38	H0150820864	ELECTRONIC CONTROL VALVE ASSY.
39	H0010450251	HEATER
40	H0150201829	COMPRESSOR CUSHION
41	H0010204597	INSULATION CUSHION
42	H0010451303	DISCHARGE TEMP.SENSOR
43	H0010451307	SUCTION AIR TEMP.SENSOR
44	H0010450194	DEFROST TEMP.SENSOR
45	H0010451329	CONDENSOR TEMP.SENSOR
46	H0010450192	AMBIENT TEMP.SENSOR

www.fisherpaykel.com

Copyright © Fisher & Paykel 2017. All rights reserved.
The product specifications in this manual apply to the specific model described at the date of issue. Under our policy of continuous product improvement, these specifications may change at any time. Only use this manual if the product code on the front matches the product code on the serial label of the product.

AU NZ

PRODUCT CODE: 51072-A 03.17