

# **PARTS MANUAL**

**Air Conditioning/Heat Pump  
Indoor Unit**

AC PANEL P 1B-1210IA

Product Code  
**51097-A**

AU NZ

# **Haier**

# CONTENTS

---

INTRODUCTION	2
AC GRILLE INLET	3
AC GRILLE OUTLET	5

# INTRODUCTION

---

BRAND	VOLTAGE	MODEL	PRODUCT CODE
Haier		AC PANEL P 1B-1210IA	51097-A

---

## MODELS

- The models covered by this manual are listed on the front cover.
- The information detailed in this manual is subject to change without notice. The latest version is indicated by the reprint date and replaces any earlier editions.

## KIT PARTS

Where a part number is shown against the descriptions for these kit components, they are also available as separate items. In addition, some parts may be supplied with these kits that are not available as separate items, and are therefore either not listed, or a part number is not shown against the part description in this manual.

## PARTS LIST KEY

<b>NI</b>	As a part reference, indicates the part is not illustrated on the diagram.
<b>NOT USED</b>	As a part number, indicates the diagram part reference is not used in this manual.
<b>NS</b>	As a part number, indicates the part is not servicable.

---

## NZ

Fisher & Paykel Appliances Ltd  
78 Springs Road, East Tamaki  
Manukau 2013  
PO Box 58-546 Botany  
Manukau 2163  
New Zealand

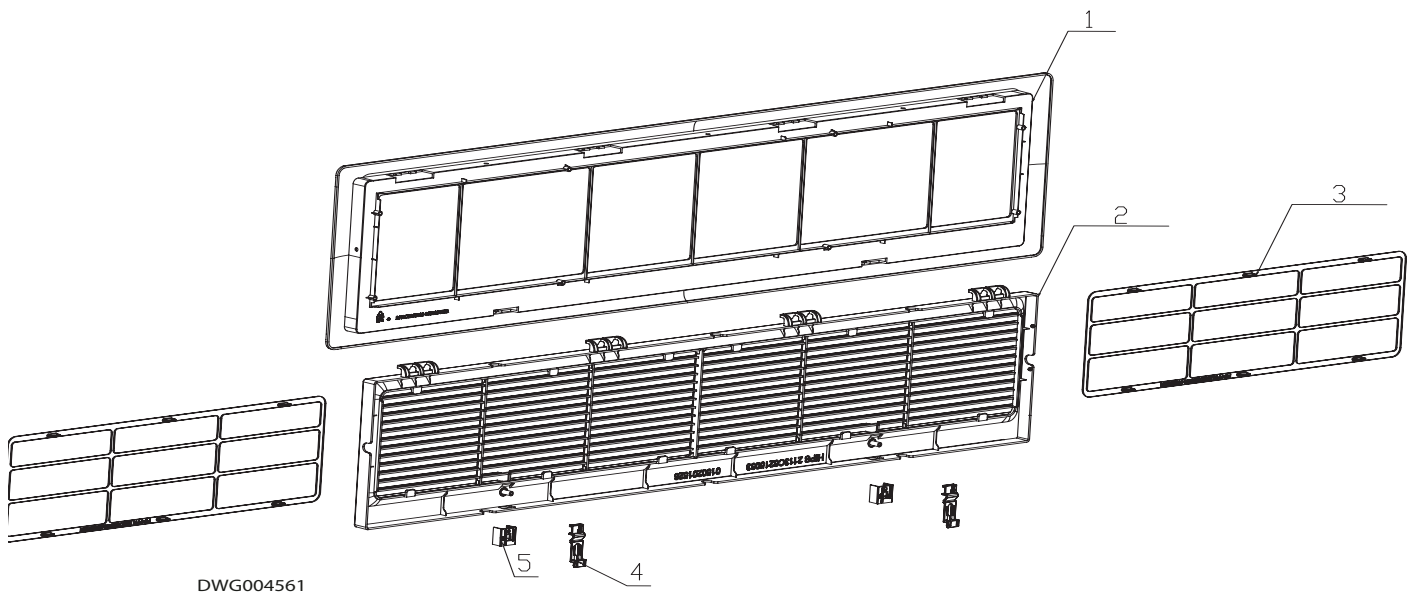
tel: 09 273 0600  
fax: 09 273 0656  
e-mail: nz.customercare@fisherpaykel.com

## AU

Fisher & Paykel Customer Services Pty Ltd  
PO Box 798, Cleveland, QLD 4163  
A.C.N. 003 3335 171  
19 Enterprise Street  
Cleveland, QLD 4163  
Australia

tel: 07 3826 9100  
fax: 07 3826 9164  
e-mail: aus.customercare@fisherpaykel.com

# AC GRILLE INLET



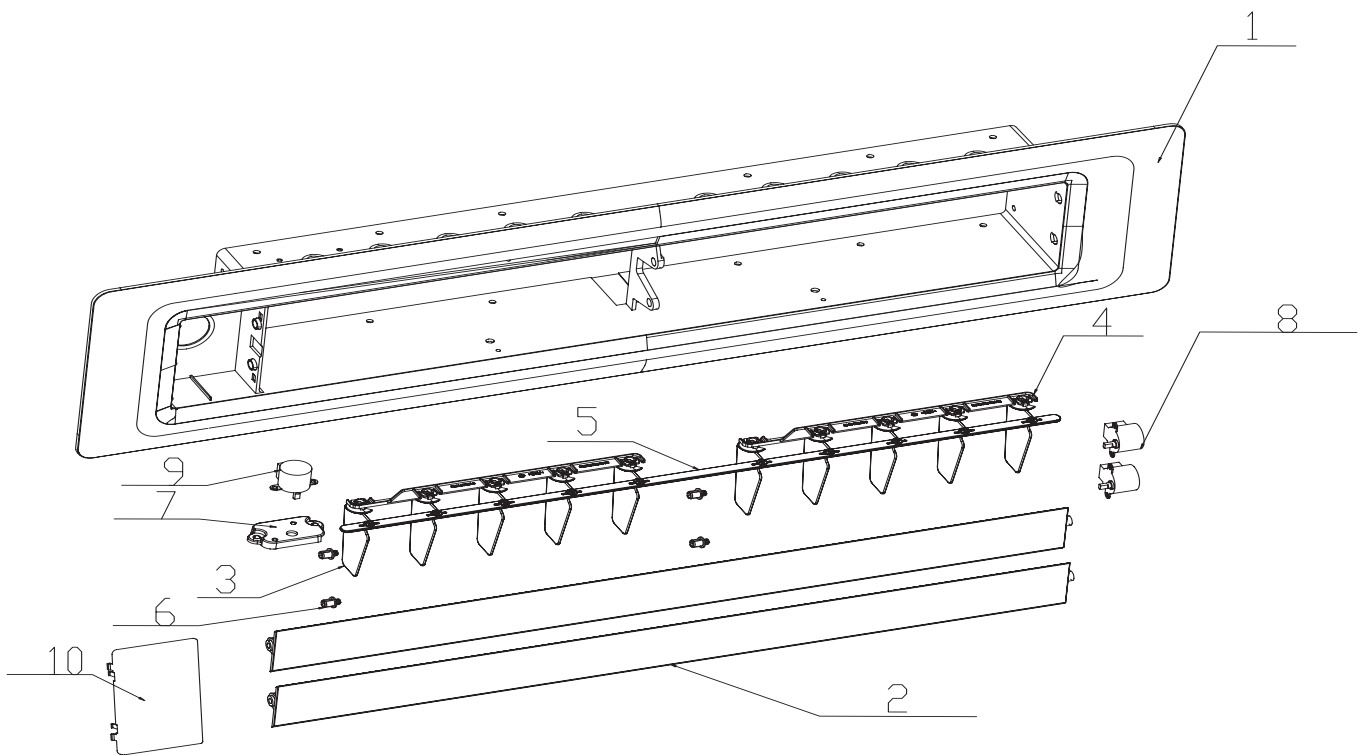
DWG004561

## AC GRILLE INLET

---

REFERENCE	PART NUMBER	PART DESCRIPTION
1	H0150201529	PANEL
2	H0150201528	INLET GRILL
3	H0150201531	FILTER
4	H0150201530	FASTENER 1
5	H0150201527	FASTENER 2

# AC GRILLE OUTLET



DWG004560

## AC GRILLE OUTLET

---

REFERENCE	PART NUMBER	PART DESCRIPTION
1	H0150201526	OUTLET PANEL
2	H0150201525	HORIZON BLADE
3	H0150201522	VERTICAL BLADE
4	H0150201519	BLADE BRACKET
5	H0150201523	CONNECTION POLE
6	H0010208735	SHAFT LOUVRE
7	H0150201520	MOTOR COVER
8	H0010402433J	STEPPING MOTOR1
9	H0010402433K	STEPPING MOTOR2
10	H0150201524	DISPLAY BOARD

[www.fisherpaykel.com](http://www.fisherpaykel.com)

Copyright © Fisher & Paykel 2017. All rights reserved.  
The product specifications in this manual apply to the specific model described at the date of issue. Under our policy of continuous product improvement, these specifications may change at any time. Only use this manual if the product code on the front matches the product code on the serial label of the product.

**AU NZ**

**PRODUCT CODE: 51097-A 09.17**