

PARTS MANUAL

**Air Conditioning/Heat Pump
Outdoor Unit**

AC OUTDR 1U53RA1ERA

Product Code
51227-A

AU NZ

Haier

CONTENTS

INTRODUCTION	2
AC COMPONENTS	3

INTRODUCTION

BRAND	VOLTAGE	MODEL	PRODUCT CODE
Haier	220-240V 50Hz	AC OUTDR 1U53RA1ERA	51227-A

MODELS

- The models covered by this manual are listed on the front cover.
- The information detailed in this manual is subject to change without notice. The latest version is indicated by the reprint date and replaces any earlier editions.

KIT PARTS

Kit components are shown in italics. Where a part number is shown against the descriptions for these kit components, they are also available as separate items. In addition, some parts may be supplied with these kits that are not available as separate items, and are therefore either not listed, or a part number is not shown against the part description in this manual.

PARTS LIST KEY

ITALICS	Kit components or parts included are shown in italics. Refer to above notes: Kit Parts.
NI	As a part reference, indicates the part is not illustrated on the diagram.
NOT USED	As a part number, indicates the diagram part reference is not used in this manual.
NS	As a part number, indicates the part is not servicable.

NZ

Fisher & Paykel Appliances Ltd
78 Springs Road, East Tamaki
Manukau 2013
PO Box 58-546 Botany
Manukau 2163
New Zealand

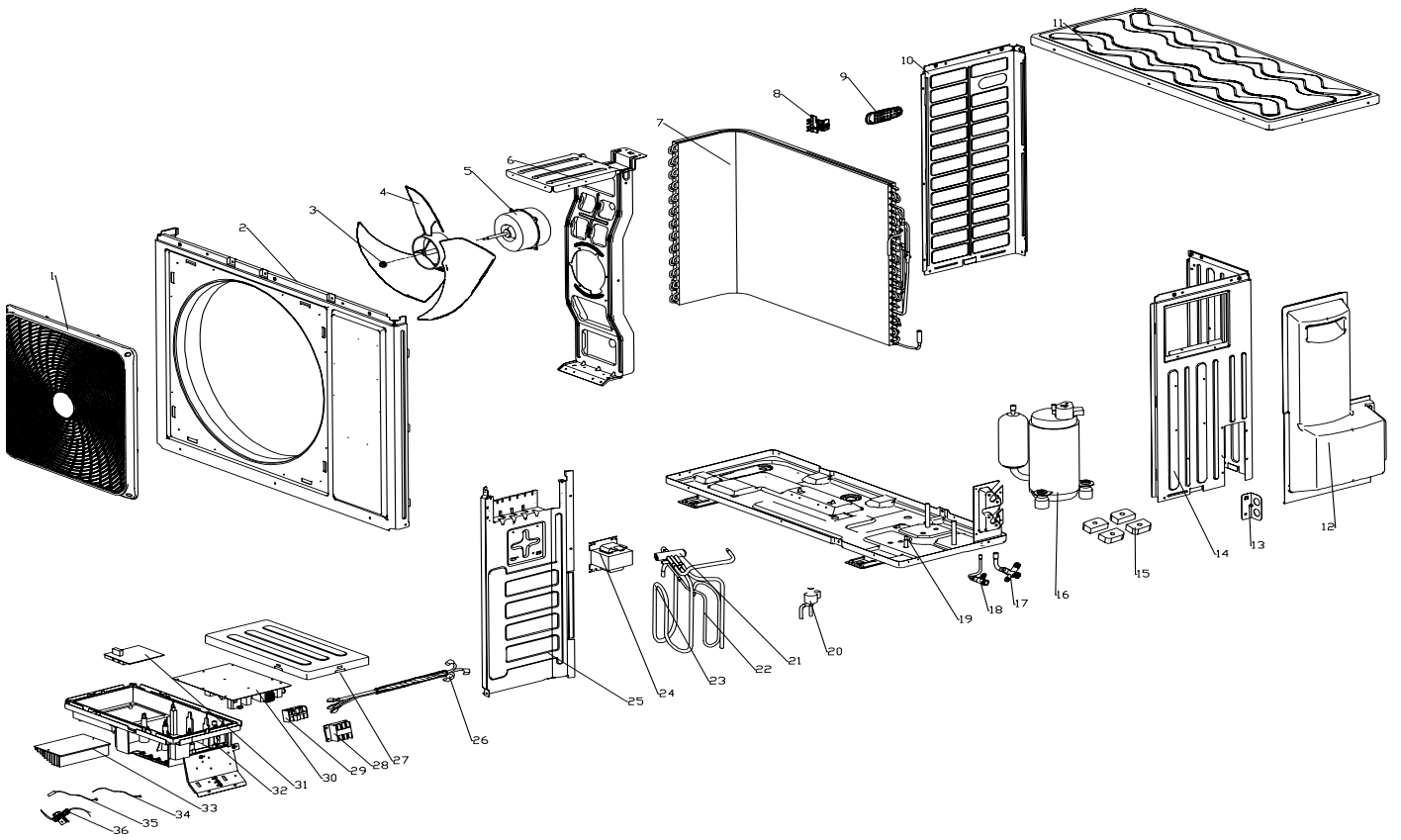
tel: 09 273 0600
fax: 09 273 0656
e-mail: nz.customercare@fisherpaykel.com

AU

Fisher & Paykel Customer Services Pty Ltd
PO Box 798, Cleveland, QLD 4163
A.C.N. 003 3335 171
19 Enterprise Street
Cleveland, QLD 4163
Australia

tel: 07 3826 9100
fax: 07 3826 9164
e-mail: aus.customercare@fisherpaykel.com

AC COMPONENTS



DWG004366

AC COMPONENTS

REFERENCE	PART NUMBER	PART DESCRIPTION
1	H0010209942	OUTLET GRILLE
2	H0010884589	CASING ASSY
3	H0010600355	NUT RETAINING
4	H0010207433	FAN AXIAL
5	H0010401832	MOTOR OUTDOOR
6	H0010859507	BRACKET FAN MOTOR
7	H0010717980	CONDENSER ASSY
8	H0010208350	CLIP THERMO INDUCTION PIPE
9	H0010207574	HANDLE
10	H0010875737	SIDE PANEL LH
11	H0010884932	TOP PANEL
12	H0010210094	COVER STOP VALVE
13	H0010103198	DRED FIXING BRACKET
14	H0010875738	SIDE PANEL RH
15	H001A17521220	SHOCK-REDUCING RUBBER
16	H0010719332	COMPRESSOR
17	H0010705989	STOP VALVE 3-WAY
18	H0010705987	SERVICE VALVE DISCHARGE 2-WAY
19	H0010866809	PLATE BOTTOM
20	H0010718861	ELECTRONIC EXPANSION VALVE
21	H0010708049	VALVE ASSY 4-WAY
22	H0010720252	TUBE DISCHARGING
23	H0010720006	TUBE SUCTION
24	H0010403750E	TRANSFORMER
25	H0010858229	PARTITION PLATE
26	H0010400924	HARNESS WIRING
27	H0010102934	COVER CONTROL BOX
28	H001A4000105	BLOCK TERMINAL
29	H001A4000082A	TERMINAL BLOCK
30	H0011800410G	PCB OUTDOOR
31	H0011800377	OUTDOOR MODULE DRIVE BOARDS
32	H0010871507	ELECTRICAL BOX
33	H0010400647C	RADIATOR
34	H0010401826	TEMP SENSOR SUCTION
35	H0010401830A	TEMP SENSOR
36	H0010402056A	DRED WIRING HARNESS
NI	H0010543997	DECAL N SERIES

www.fisherpaykel.com

Copyright © Fisher & Paykel 2017. All rights reserved.
The product specifications in this manual apply to the specific model described at the date of issue. Under our policy of continuous product improvement, these specifications may change at any time. Only use this manual if the product code on the front matches the product code on the serial label of the product.

AU NZ

PRODUCT CODE: 51227-A 03.17