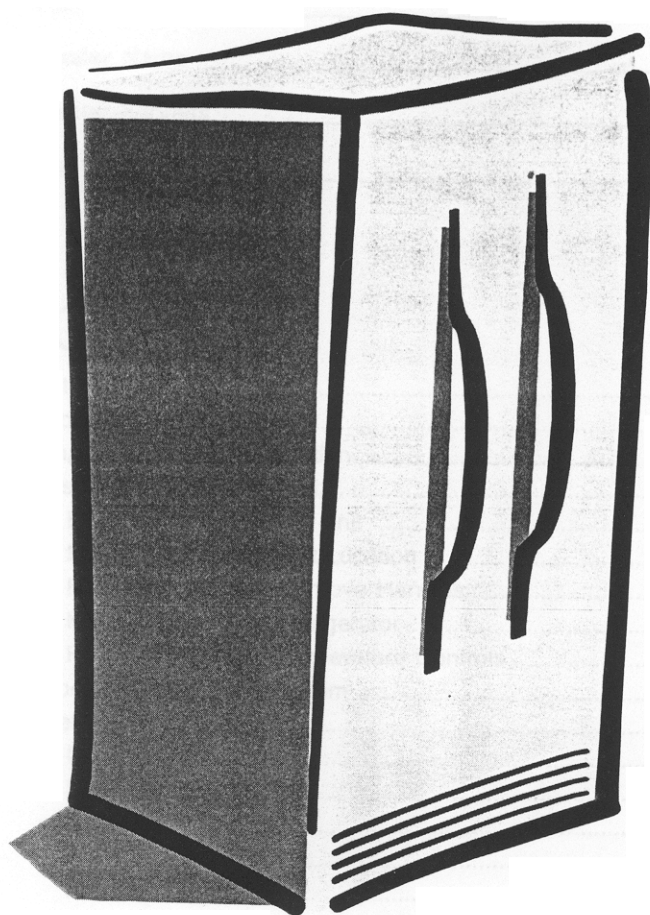




Side by Side Refrigerator XRSS Series



MODEL: XRSS204BW

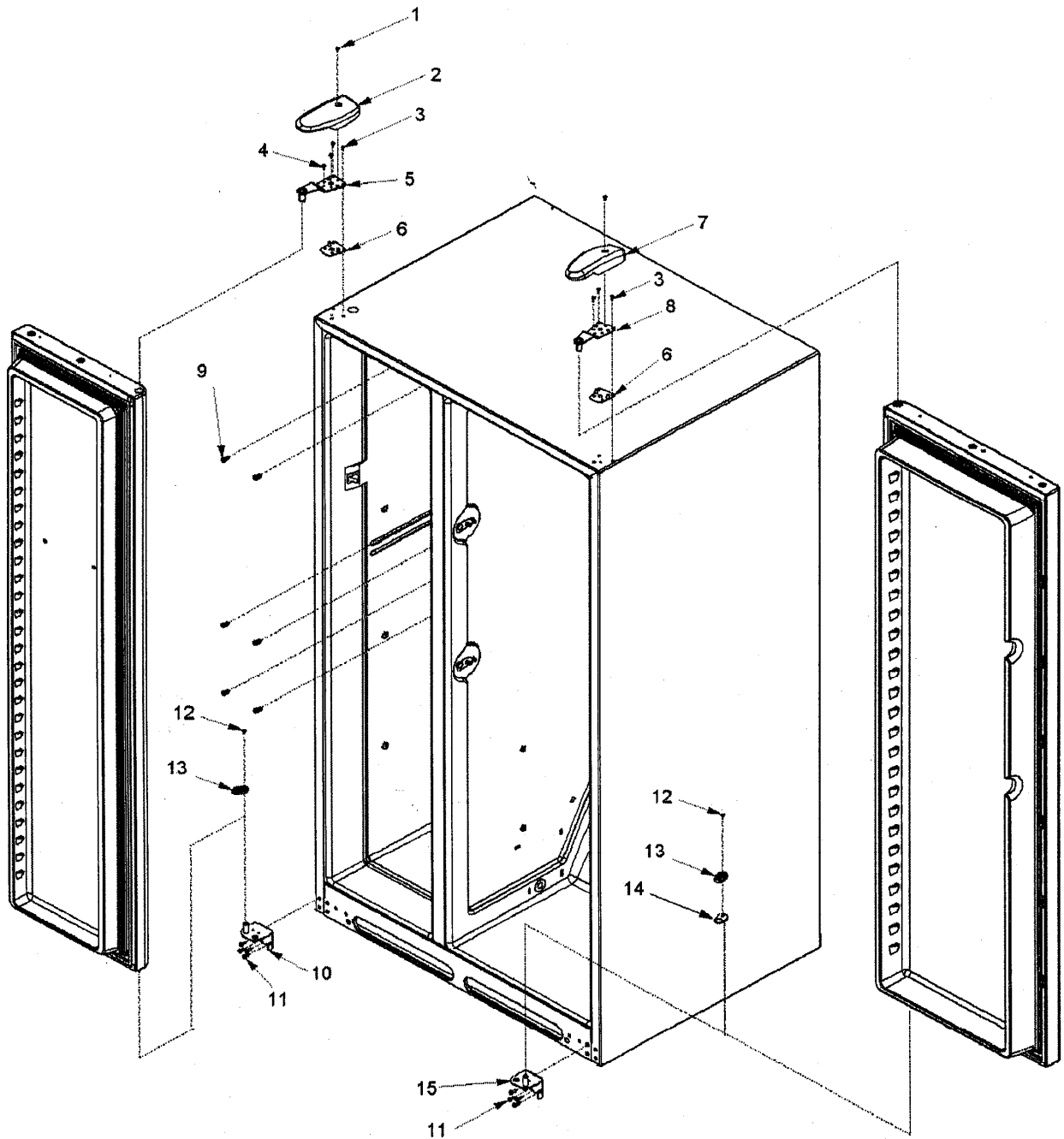
Model: XRSS204BW

CONTENTS

HINGES	4
CRISPER ASSEMBLY.....	6
DELI AND REF SHELF.....	8
LIGHT COVERS AND TOE GRILLE	10
CONTROLS.....	12
MACHINE COMPARTMENT	14
HANDLES AND TRIM.....	16
REF / FZR DOOR AND SHELF	18
FZR SHELF	20
EVAP FAN ASSY AND LIGHTS	22
CABINET BACK	24
EVAPORATOR ASSEMBLY AND ROLLERS	26
WIRING INFORMATION	28

Fisher & Paykel Ltd
Whiteware Spare Parts
PO Box 58-732, Greenmount.
80 Springs Rd, East Tamaki
New Zealand
Tel: (09) 272 0261
Fax: (09) 272 0219
Email: parts@fp.co.nz

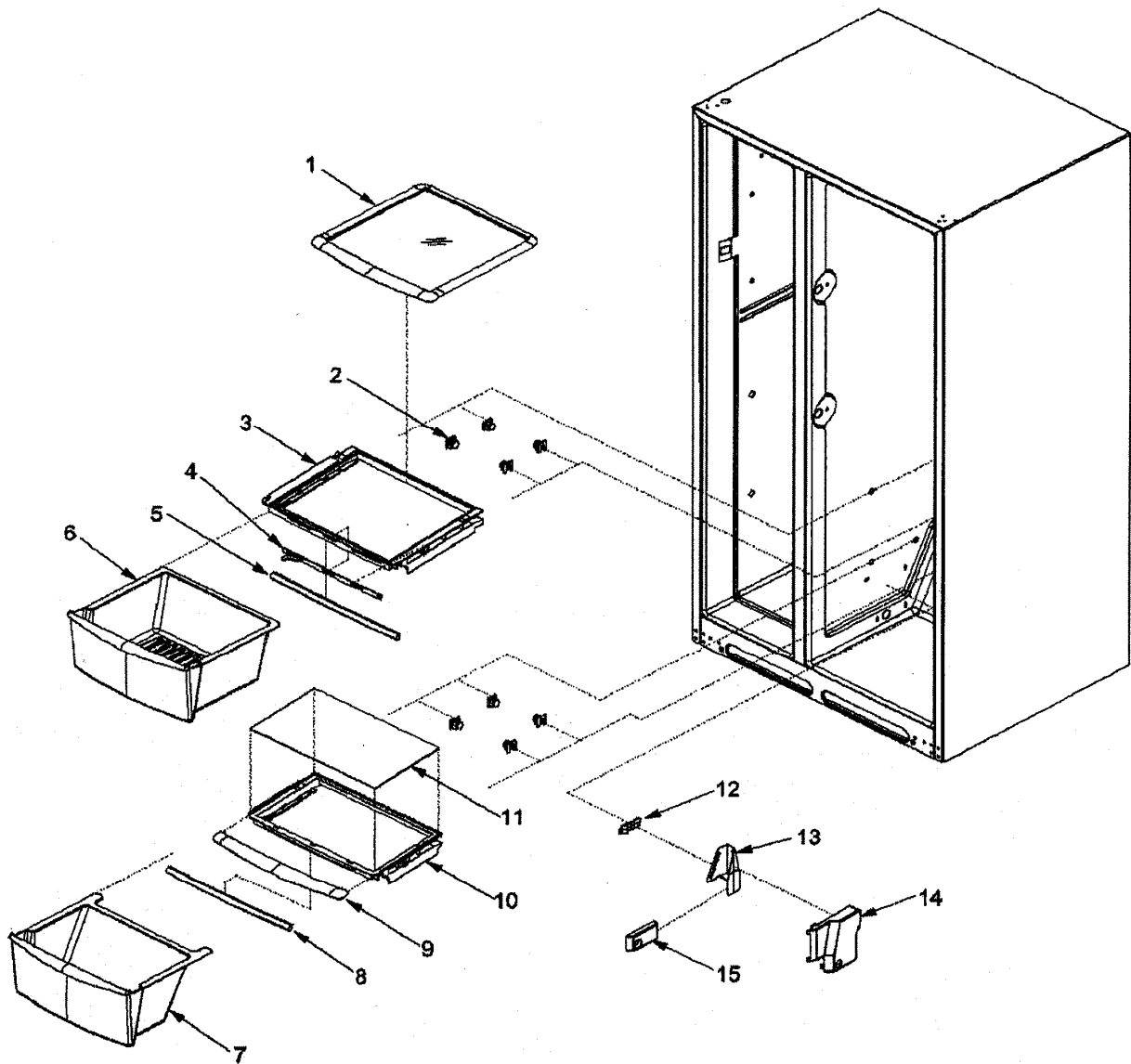
HINGES



HINGES

Key	Part Number	Description	Substitution	Qty
1	M0202336	SCREW, MACH		2
2	12629802W	COVER, TOP HINGE (LT-WHT)		1
3	M0238731	SCREW, TF	R9800670	6
4	M0202321	SCREW, MACH		1
5	12626902ED	HINGE, TOP (LT-BLK)		1
6	12695601	SHIM, TOP HINGE		2
7	12629801W	COVER, TOP HINGE (RT-WHT)		1
8	12626901ED	HINGE, TOP (RT-BLK)		1
9	M0581003	GROMMET, SCREW		6
10	12636901WD	HINGE, BOTTOM (LT-WHT)		1
11	M0241608	SCREW, SM	M0233847	8
12	M0220431	SCREW, TC		2
13	12431301	CLOSURE, DOOR (WHT)	R0181181	2
14	10361805	SHIM, DR CLOSURE (WHT)		1
15	12636902WD	HINGE, BOTTOM (RT-WHT)		1

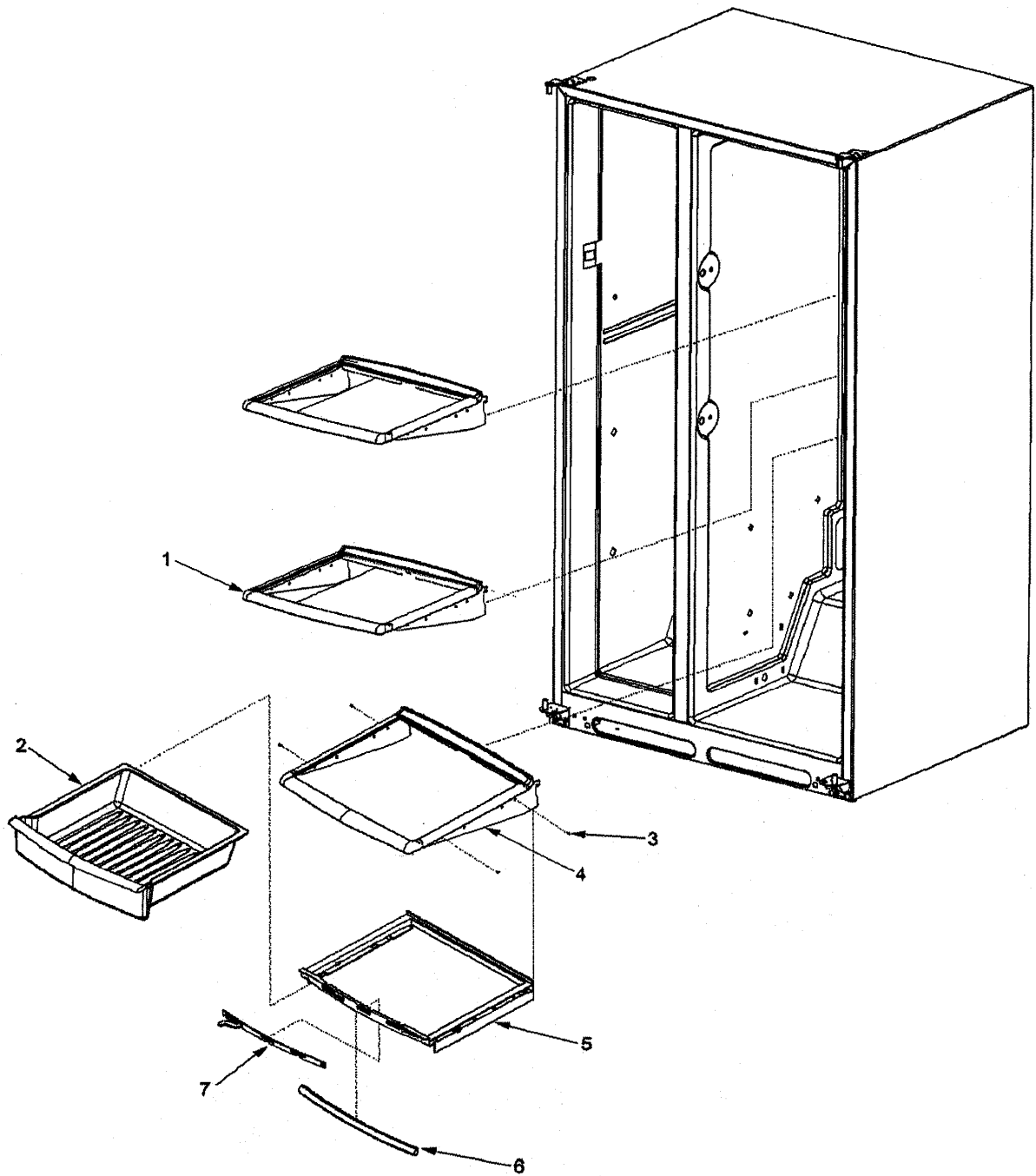
CRISPER ASSEMBLY



CRISPER ASSEMBLY

Key	Part Number	Description	Substitution	Qty
1	12559701	SHELF, TOP CRISPER		1
2	12603701	SUPPORT, CRISP FRAME		8
3	12663601	FRAME, LG CRISPER	67002723	1
4	12562601U	SLIDE, LG CRISPER (BLUE)		1
5	12589104	SEAL, SM CRISPER FRONT		1
6	67001503	PAN, LG CRISPER		1
7	67001504	PAN, DELI		1
8	12589104	SEAL, SM CRISPER FRONT		1
9	12562301	TRIM, DELI FRAME		1
10	12663501	FRAME, DELI	67002822	1
11	12204811	GLASS, SHELF		1
12	12586201U	CONTROL, DELI (BLUE)		1
13	12586101	SLIDE, DELI CONTROL		1
14	12586001	HOUSING, DELI CONTROL		1
15	12664201	TUNNEL, DELI CONTROL		1

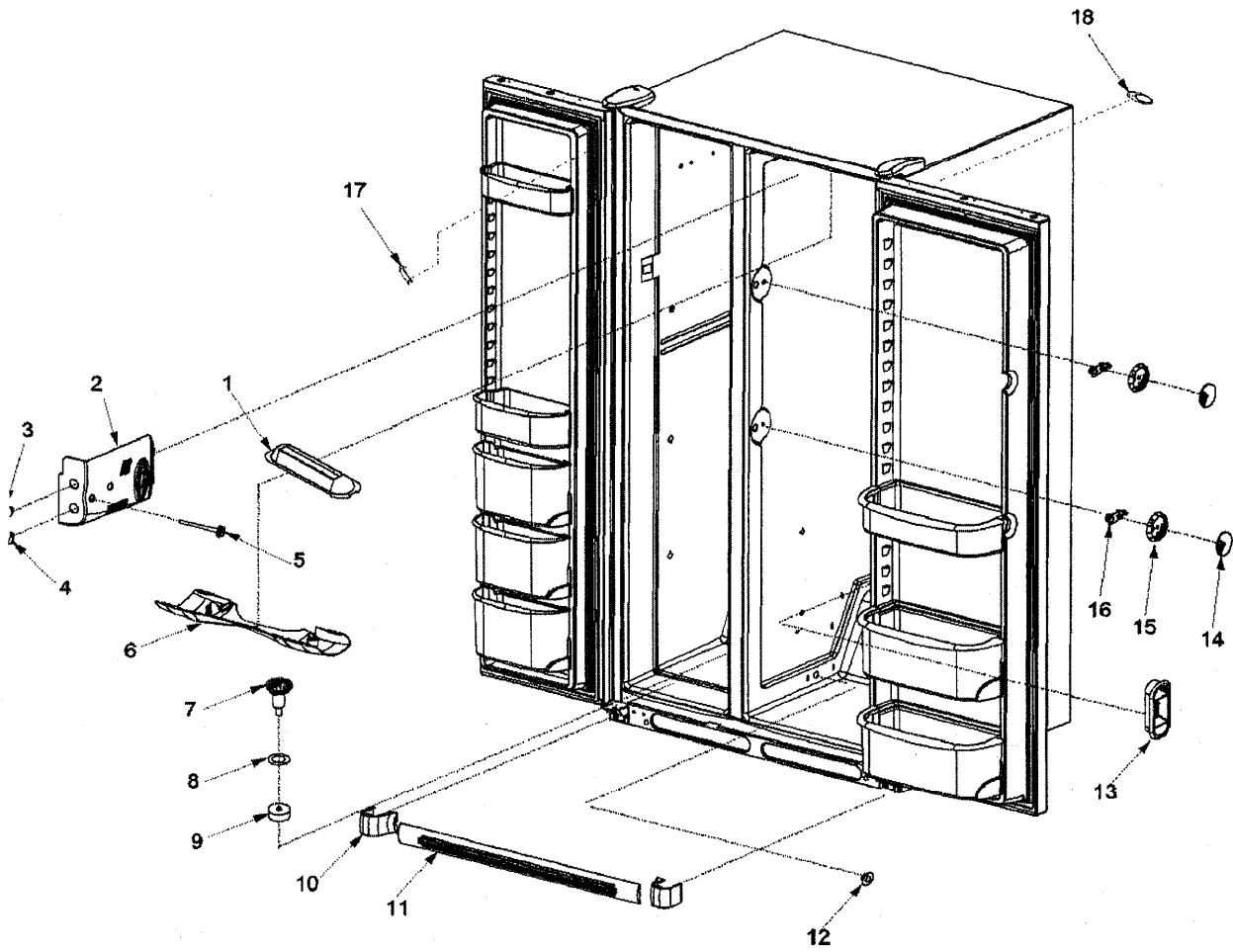
DELI AND REF SHELF



DELI AND REF SHELF

Key	Part Number	Description	Substitution	Qty
1	67002132	SHELF, GLIDE		2
2	67001663	PAN, SM CRISPER		1
3	M0214931	SCREW, SM		4
4	67002134	SHELF-22 B/B STA		1
5	12663801	FRAME, SM CRISPER		1
6	12589104	SEAL, SM CRISPER FRONT		1
7	12562602U	SLIDE, SM CRISPER (BLUE)		1

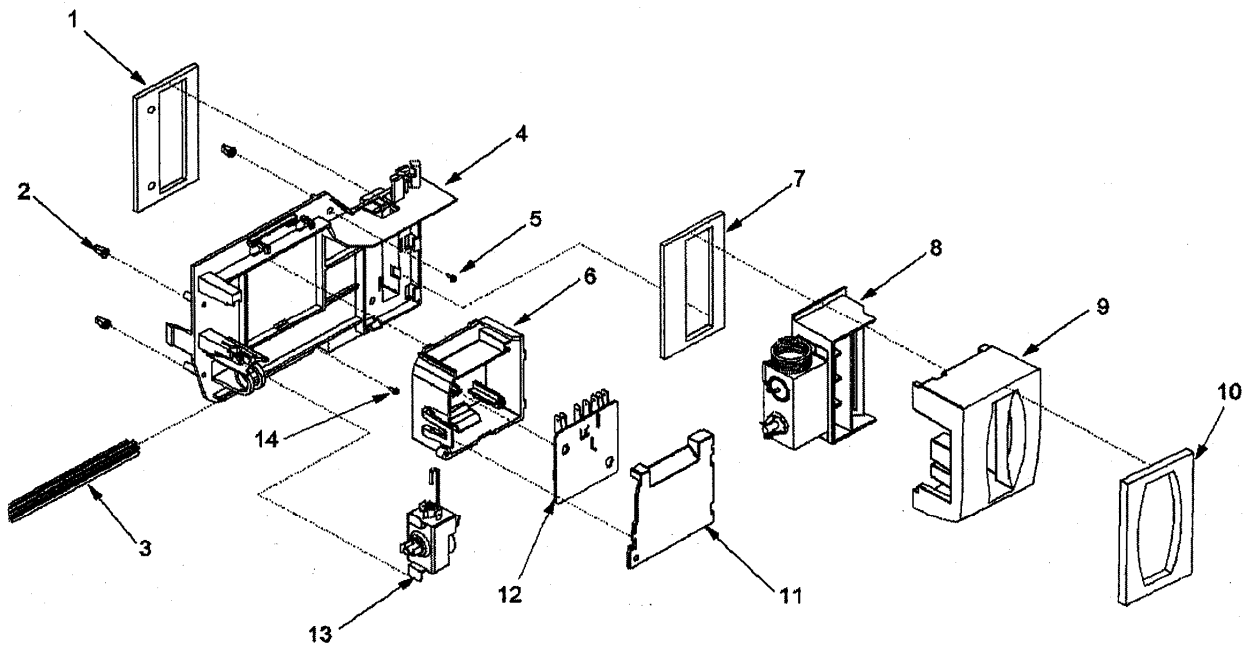
LIGHT COVERS AND TOE GRILLE



LIGHT COVERS AND TOE GRILLE

Key	Part Number	Description	Substitution	Qty
1	67002221	HOUSING, UP REF		1
2	67002222	COVER, EXPORT CONTROL		1
3	12581102	KNOB, CONTROL		1
4	12581101	KNOB, CONTROL		1
5	M0231426	SCREW, SM		1
6	12602907	COVER, LIGHT		1
7	12456901	FUNNEL, DRAIN		1
8	M0500703	SEAL, O'RING		1
9	B8381501	GASKET, DRAIN TUBE		1
10	12630301W	COVER, LWR HINGE (WHT)		2
11	67002223	TOE GRILLE ASSY (WHT)		1
11	12627302	CLIP, TOE GRILLE		2
12	12567101	PLUG, AIR TUNNEL		1
13	12634801	GRILLE, RETURN AIR		1
14	67002180	GRILLE, CHILLER		2
15	67002225	CONTROL, CHILLER		2
16	12572701	CLIP, CHILLER CONTROL		2
17	12587702W	COVER, CORNER (WHT)		2
18	12528501	NAMEPLATE, (AMANA PLUS)	31985401	1

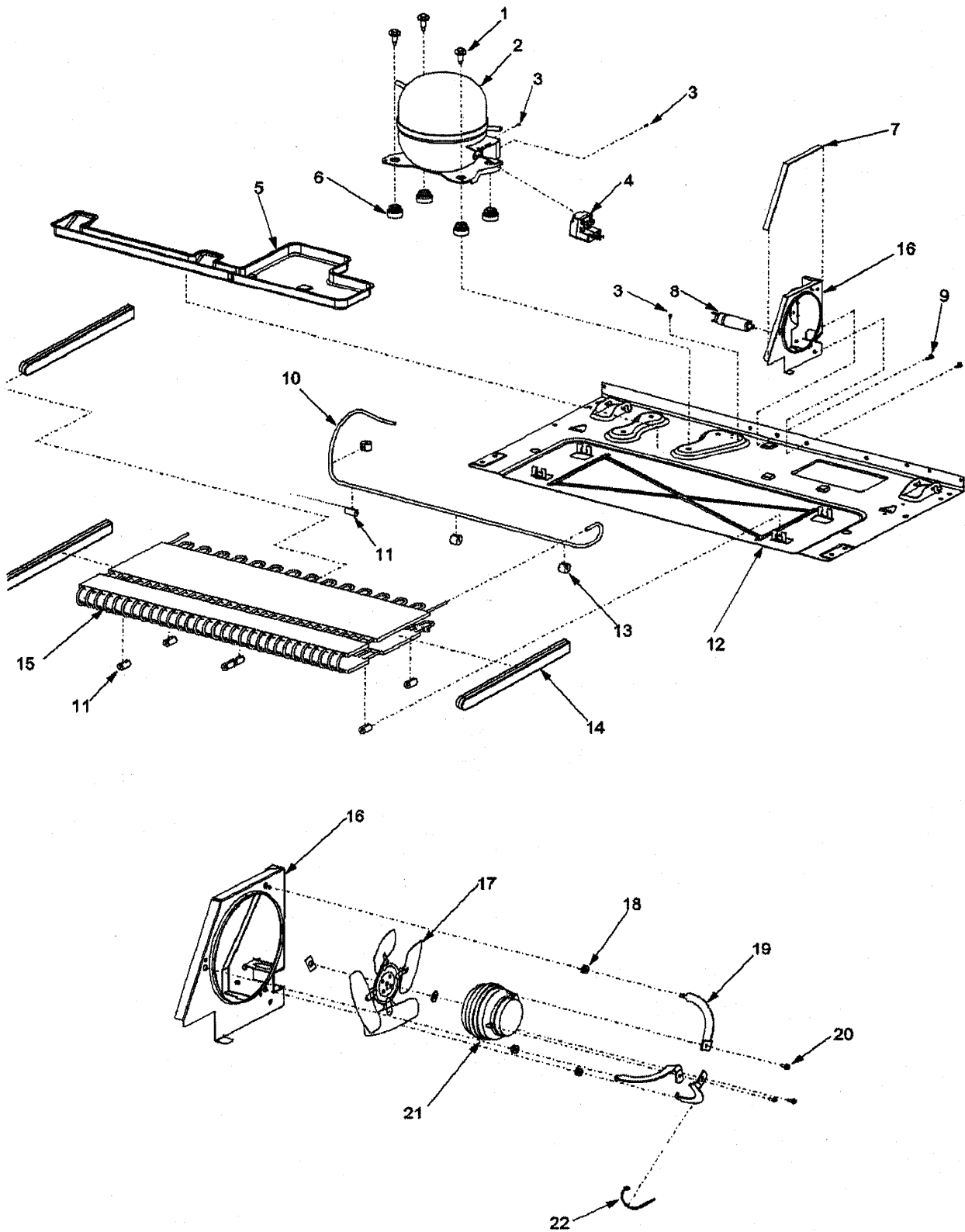
CONTROLS



CONTROLS

Key	Part Number	Description	Substitution	Qty
1	10383201	GASKET, DAMPER		1
2	M0580205	GROMMET, SCREW		3
3	12571801	EXTENSION, KNOB		1
4	12558004	BRACKET, CONTROL		1
5	M0216539	SCREW		3
6	12624801	BOX, DEFROST CONTROL		1
7	12582801	GASKET, DAMPER		1
8	12571701	CONTROL, DAMPER		1
9	12604201	INSULATION, DAMPER		1
10	12582901	GASKET, CONTROL COVER		1
11	12624901	COVER, DEFROST CONTROL		1
12	67002163	PCB ADAPTIVE DEFROST 7 X SPADE		1
12a	67003626	PCB ADAPTIVE DEFROST 6 X PIN		1
13	67002164	CONTROL, FZ TEMP		1
14	M0211018	SCREW, SM		1

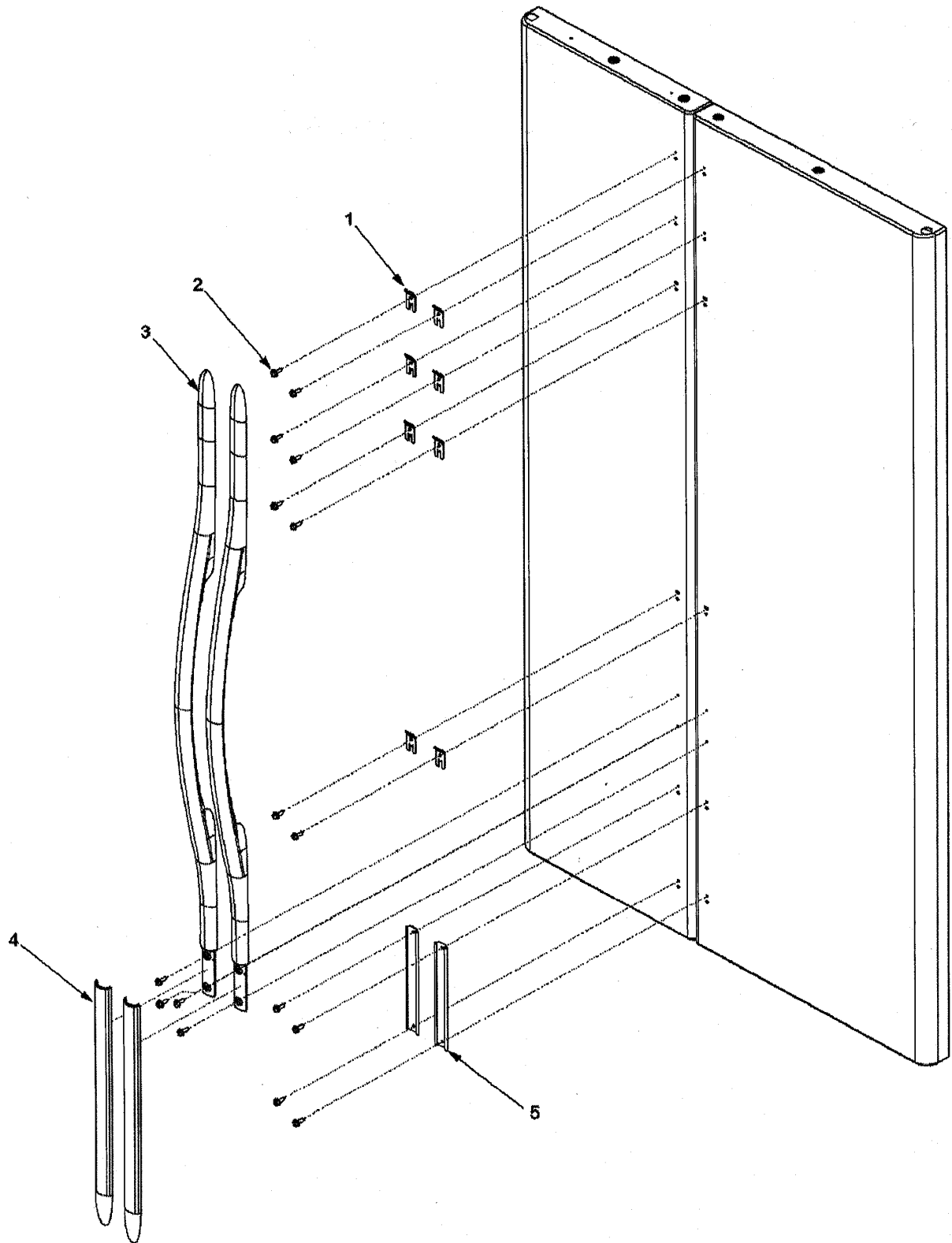
MACHINE COMPARTMENT



MACHINE COMPARTMENT

Key	Part Number	Description	Substitution	Qty
1	M0221523	SCREW, SHLDR		3
2	67002175	COMPRESSOR, EXPORT		1
3	M0231604	SCREW, TF		3
4	67002166	OVERLOAD / RELAY		1
5	12619101	PAN, DRAIN		1
6	10835901	GROMMET, COMPRESSOR		4
7	61003210	SEAL		1
8	10958304	CAPACITOR		1
9	M0238616	SCREW, SM	M0238642	2
10	67002236	TUBE, DISCHARGE		1
11	12578601	GROMMET, CONDENSER		7
12	67001512	PAN, BASE		1
13	10699601	TUBING		3
14	67002235	BLOCK-EPS COND		3
15	12560503ED	CONDENSER	67003195	1
16	12687101	SHROUD, 2 WAY CONDENSER		1
17	12587601	BLADE, COND FAN		1
18	12578701	GROMMET, FAN BRKT		3
19	67001311	BRACKET, COND MTR		3
20	M0223816	SCREW, TR		3
21	67002165	MOTOR, CONDENSER		1
22	M0321210	TIE, ELEC	M0321202	1

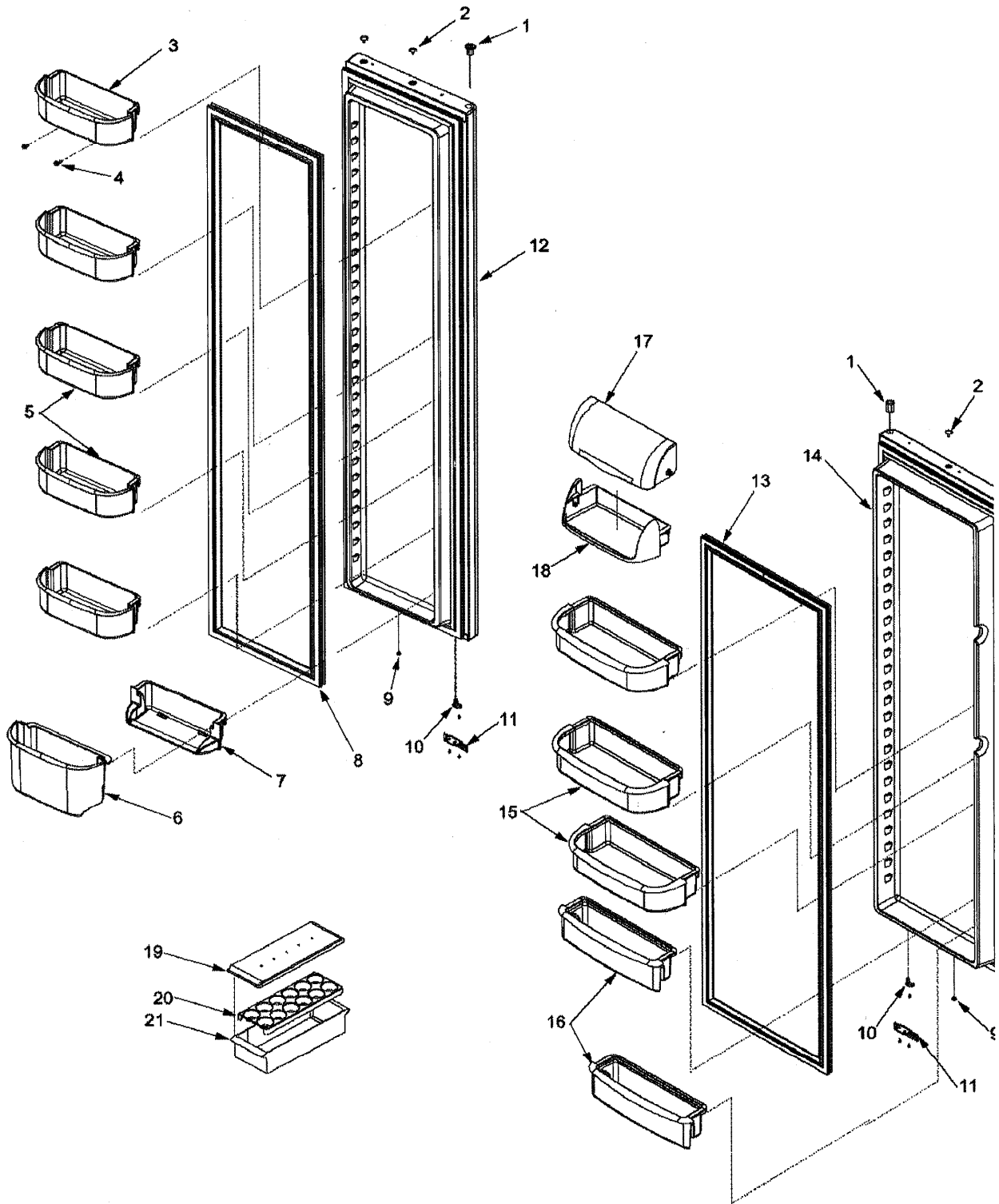
HANDLES AND TRIM



HANDLES AND TRIM

Key	Part Number	Description	Substitution	Qty
1	12576403	CLIP, DOOR HANDLE		8
2	M0238616	SCREW, SM	M0238642	16
3	67001890	HANDLE, DOOR (WHT)		2
4	12575901w	TRIM, HANDLE (WHT)		2
5	12273808	RETAINER, TRIM		2

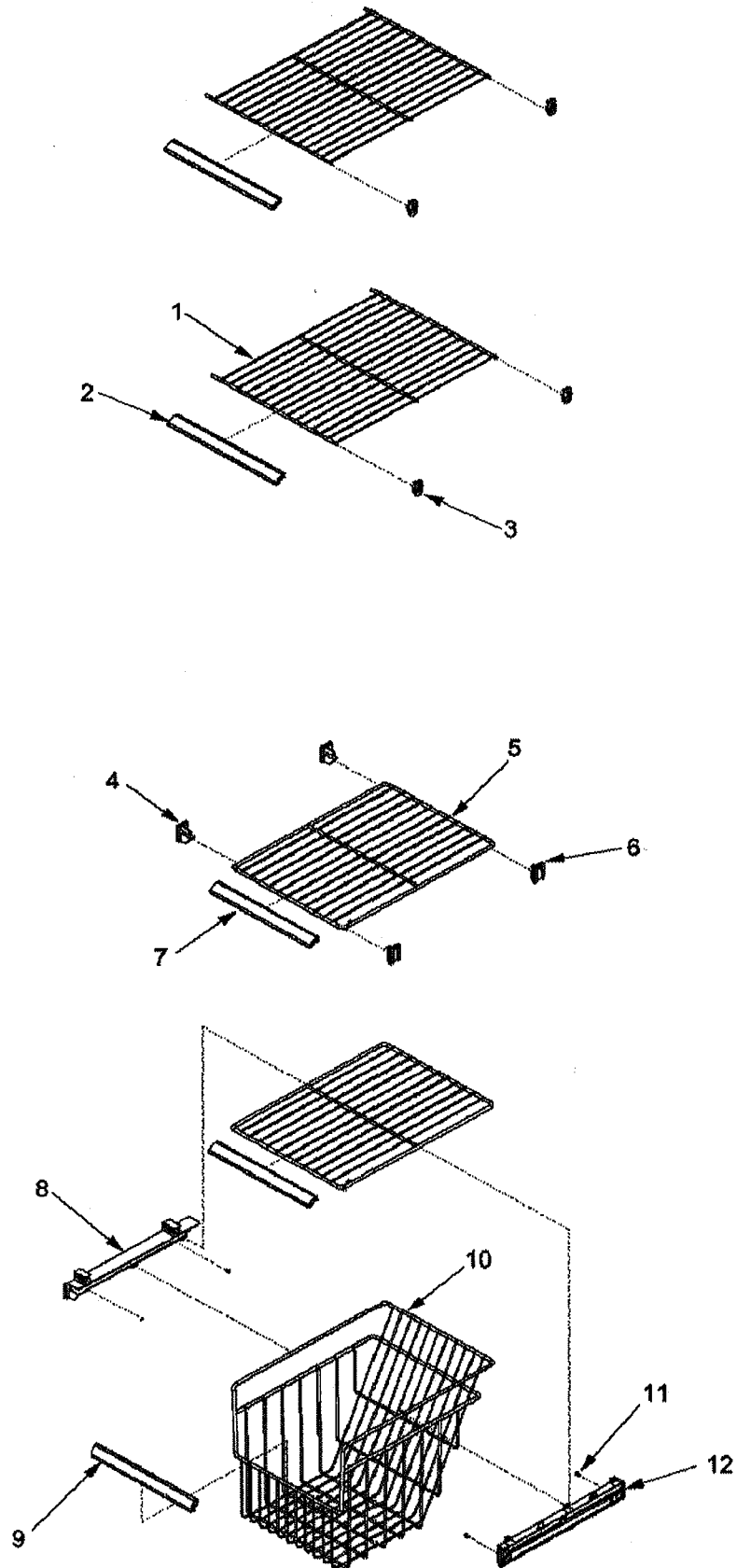
REF / FZR DOOR AND SHELF



REF / FZR DOOR AND SHELF

Key	Part Number	Description	Substitution	Qty
1	10961001	BUSHING, DOOR (WHT)		2
2	M0311605	PLUG, BUTTON (WHT)		4
3	12664901	BUCKET – CONV FZ DR		1
4	M0230518	SCREW,TC		2
5	12557501	BUCKET, LWR FZ DR		4
6	12569302	BUCKET, FZ TILT		1
7	12569401	FRAME, TILT BUCKET		1
8	12591502W	GASKET, FZ DR (WHT)		1
9	A3080001	PLUG, BUTTON (BLK)		1
10	12113202	CLOSURE, DOOR (WHT)	R0181181	2
10	M0220432	SCREW, TC		2
11	12636401W	STOP, DOOR (WHT)		2
11	M0211018	SCREW, SM		4
12	67002207	FZ DR FOAM ASSY (WHT)		1
13	12591501W	GASKET, REF DR (WHT)		1
14	67002205	REF DR FOAM ASSY (WHT)		1
15	12556602	BUCKET, REF DOOR (GALLON)		3
16	67002204	BUCKET, 22 REF		2
17	67001325	DOOR, DAIRY	67002957	1
18	67002304	TRAY, DAIRY		1
19	10436404	LID, UTILITY		1
20	10436506	TRAY, EGG		1
21	10423131	BIN, UTILITY		1

FZR SHELF



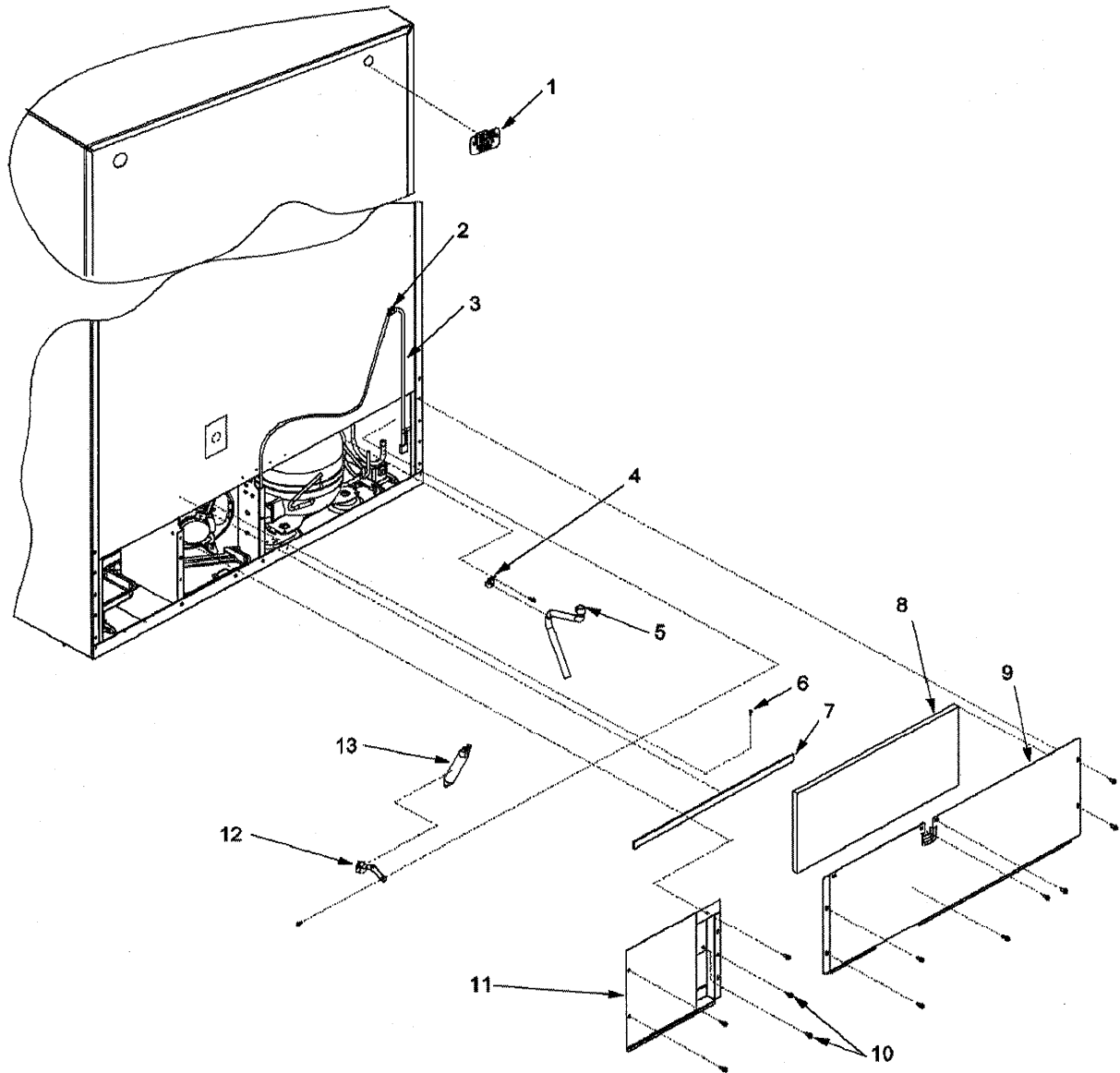
FZR SHELF

Key	Part Number	Description	Substitution	Qty
1	12570603	SHELF, UP FZR		2
2	12314102	TRIM, BASKET / SHELF		2
3	C8973801	SUPPORT, FZR SHELF		4
4	12015002	SUPPORT, SHELF (LT)		2
5	12570503	SHELF, LW FZ		2
6	10941102	SUPPORT, SHELF (RT)		2
7	12314101	TRIM, BASKET / SHELF		2
8	12015101	RAIL, SHELF (LT)		1
9	12314101	TRIM, BASKET / SHELF		1
10	12570303	BASKET, LW FZ		1
11	M0211018	SCREW, SM		4
12	10972801	RAIL, SHELF (RT)		1

EVAP FAN ASSY AND LIGHTS

Key	Part Number	Description	Substitution	Qty
1	12625201	COVER, CONV FZ BK		1
2	D7874403	COVER-FL TB / PLUG		1
2	M0238616	SCREW, SM	M0238642	1
3	67002215	BACK, INNER FZ		1
3	M0238616	SCREW, SM	M0238642	4
4	M0580205	GROMMET, SCREW		1
4	12583101	COVER, SUPPLY AIR		1
4	M0238616	SCREW, SM	M0238642	1
5	B8386604	GASKET, AIR	10839713	2
6	M0580007	GROMMET, SCREW		7
6	M0214931	SCREW, SM		7
6	12666201	PLATE, LIGHT BACKING		1
7	M0311605	PLUG, BUTTON (WHT)		3
8	M0238616	SCREW, SM	M0238642	5
8	12403401	COVER, EVAP		1
9	67002216	SOCKET, LIGHT		1
10	67002217	LAMP, 25W / 50 HZ		4
11	67001507	COVER, CRISPER LIGHT		2
12	M0322202	TIE WIRE		1
13	67002219	INSULATION, TUBING		1
14	M0321210	TIE, ELEC	M0321202	1
15	12617601	TUBE, PLASTIC		1
16	12217201	FAN EVAPORATOR		1
17	12590001	SHROUD, EVAP		1
18	67001508	GASKET		1
19	12619301	GROMMET, FAN MOTOR		2
20	10449511	MOTOR, EVAP FAN		1
21	12217805	CLIP, EVAP MOTOR		1
22	67002218	RECEPTACLE, BULB		2

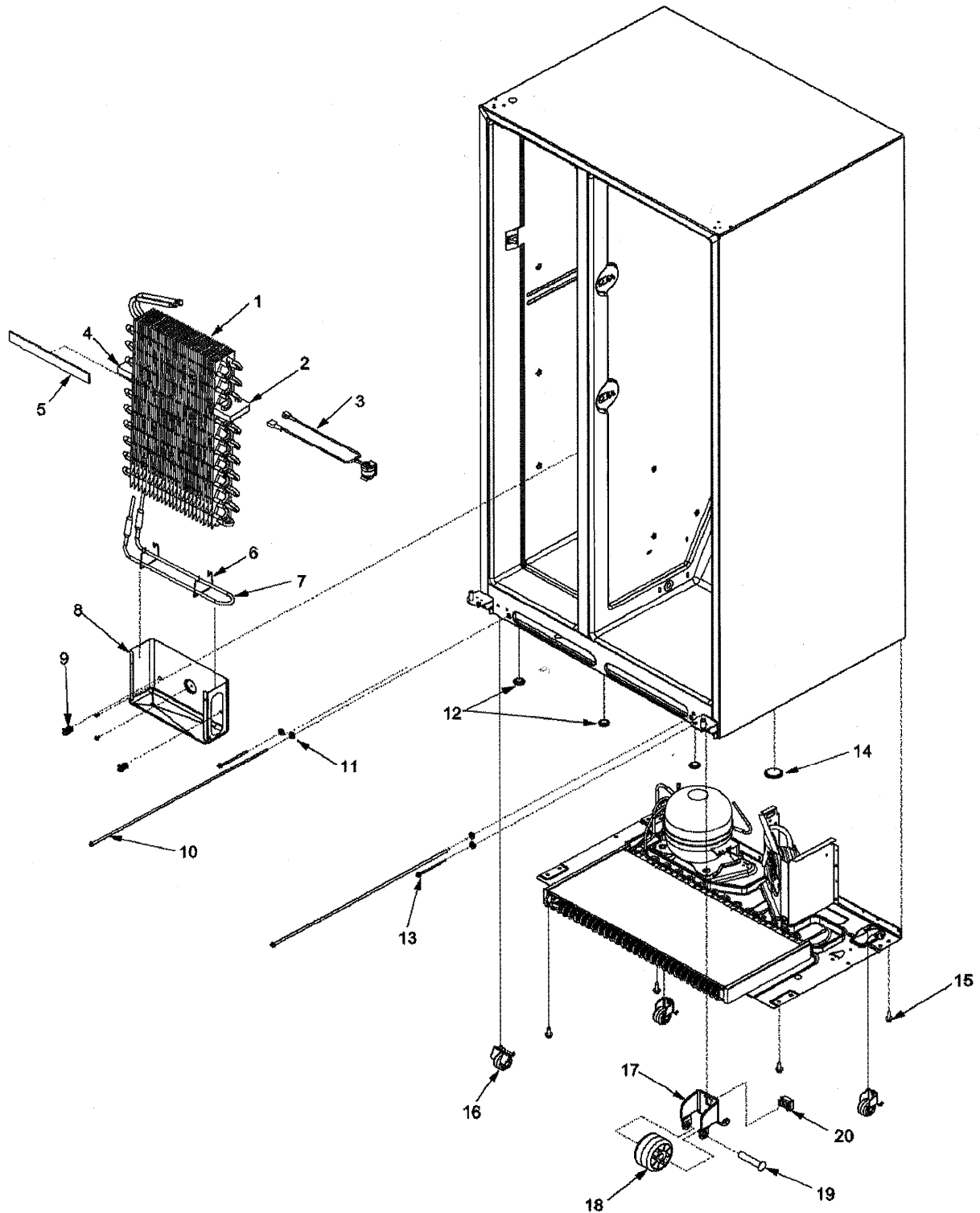
CABINET BACK



CABINET BACK

Key	Part Number	Description	Substitution	Qty
1	67002228	PLUG, BUTTON		1
2	M0104106	CLIP, CORD		1
3	67002229	CORD, POWER		1
4	M0220617	SCREW, SM		1
4	M0102303	CLAMP		1
5	12580401	TUBE, DRAIN		1
6	M0239216	SCREW, CA		1
7	B5759649	GASKET, MC BACK		1
8	B0523599	INSULATION, MC BACK		1
9	67002230	BACK, EXPORT MC		1
9	M0238616	SCREW, SM	M0238642	7
10	M0251015	SCREW		2
11	67002231	COVER, WATER VALVE	67003154	1
11	M0238616	SCREW, SM	M0238642	3
12	10547002	CLIP, DRIER		1
12	M0220617	SCREW, SM		1
13	67002232	DRIER	B2150504	1

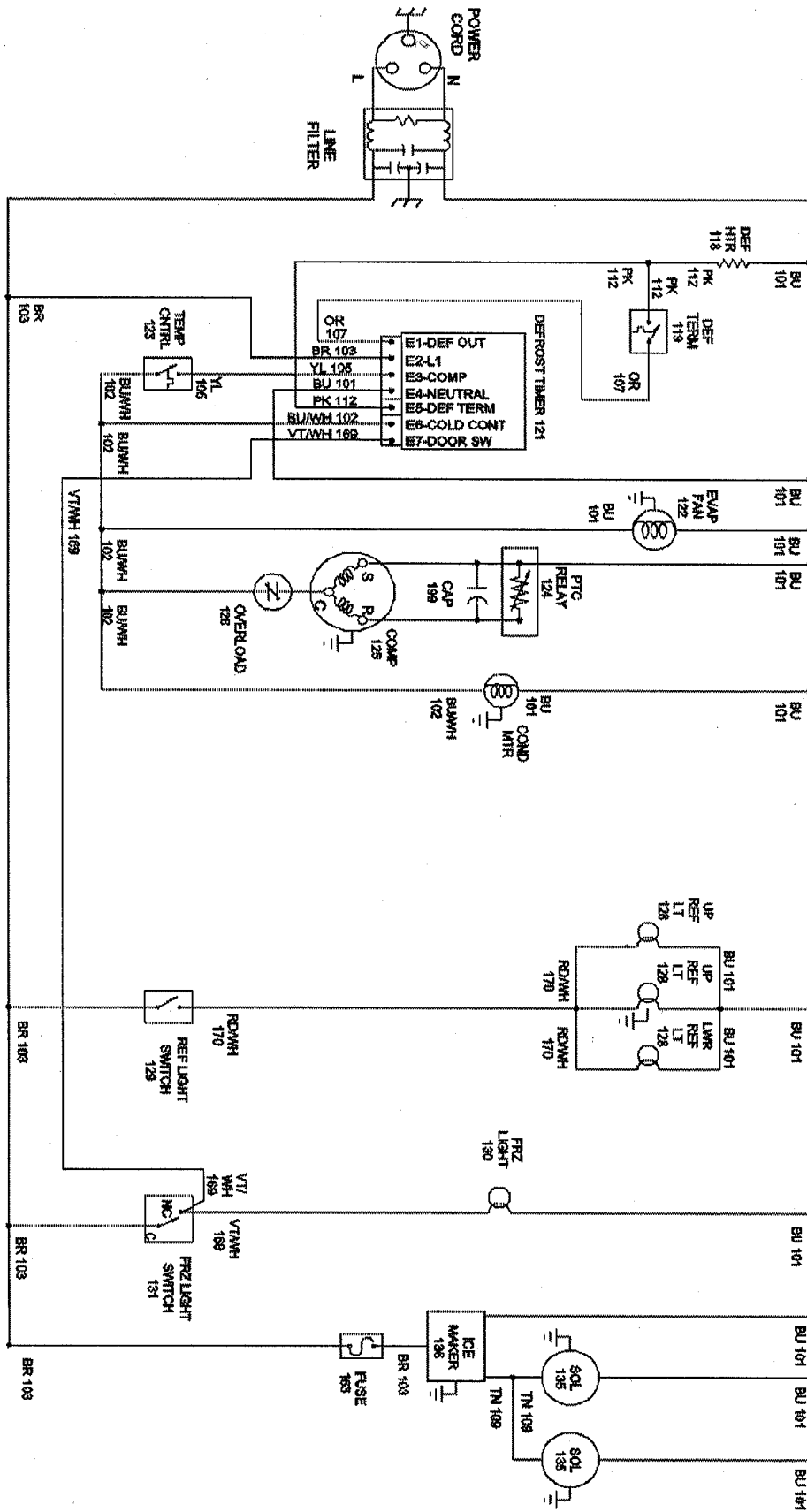
EVAPORATOR ASSEMBLY AND ROLLERS



EVAPORATOR ASSY AND ROLLERS

Key	Part Number	Description	Substitution	Qty
1	12676401	EVAPORATOR, SXS	12001940	1
2	12590102	BLOCK, AIR COIL (RT)		1
3	R0131454	KIT, THERMOSTAT		1
4	12590101	BLOCK, AIR COIL (LT)		1
5	67002226	GASKET, FOAM		1
6	10428101	CLIP, EVAP HEATER		2
7	12049803	HEATER, EVAP		1
8	M0224416	SCREW, SM	700502	2
8	12558101WD	TRAY, EVAP DRIP		1
9	10623003	CLIP, EVAPORATOR		2
10	10093315	SCREW, ADJUSTING		2
11	M0274074	WASHER, NYLON		4
12	A3080001	PLUG, BUTTON (BLK)		3
13	12606102	BOLT, ROLLER ADJ		2
14	A3076901	PLUG, BUTTON		1
15	67001510	SCREW		4
16	67002227	ROLLER BRACKET ASSY		4
17	12456801	BRACKET, ROLLER		1
18	10450602	ROLLER		1
19	M1205302	RIVET		1
20	M0286708	NUT, SPEED		1

WIRING INFORMATION



WIRING INFORMATION

Key	Part Number	Description	Substitution	Qty
1	15003041	WIRING INFORMATION		1