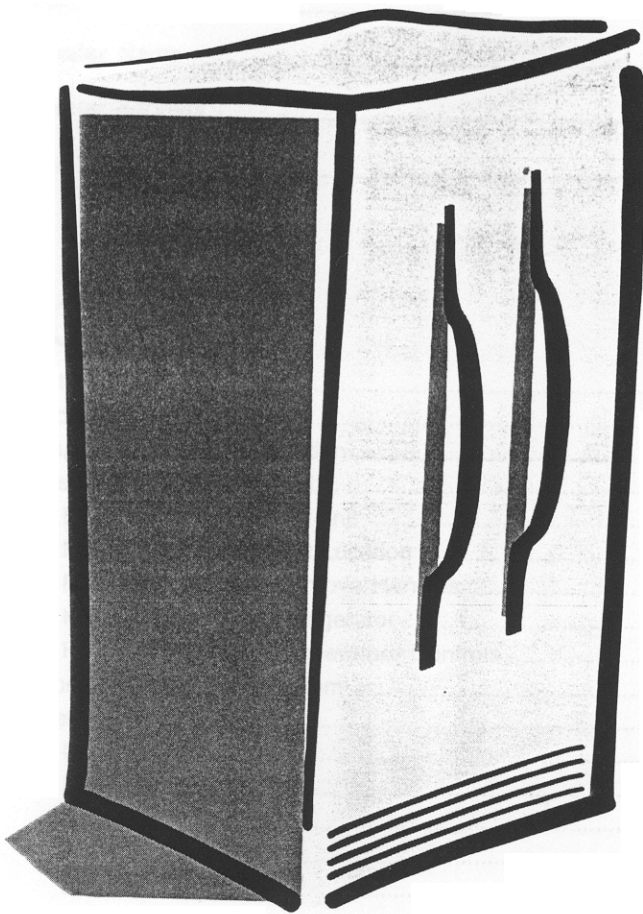




Side by Side Refrigerator XRSS Series



MODEL: XRSS465BS

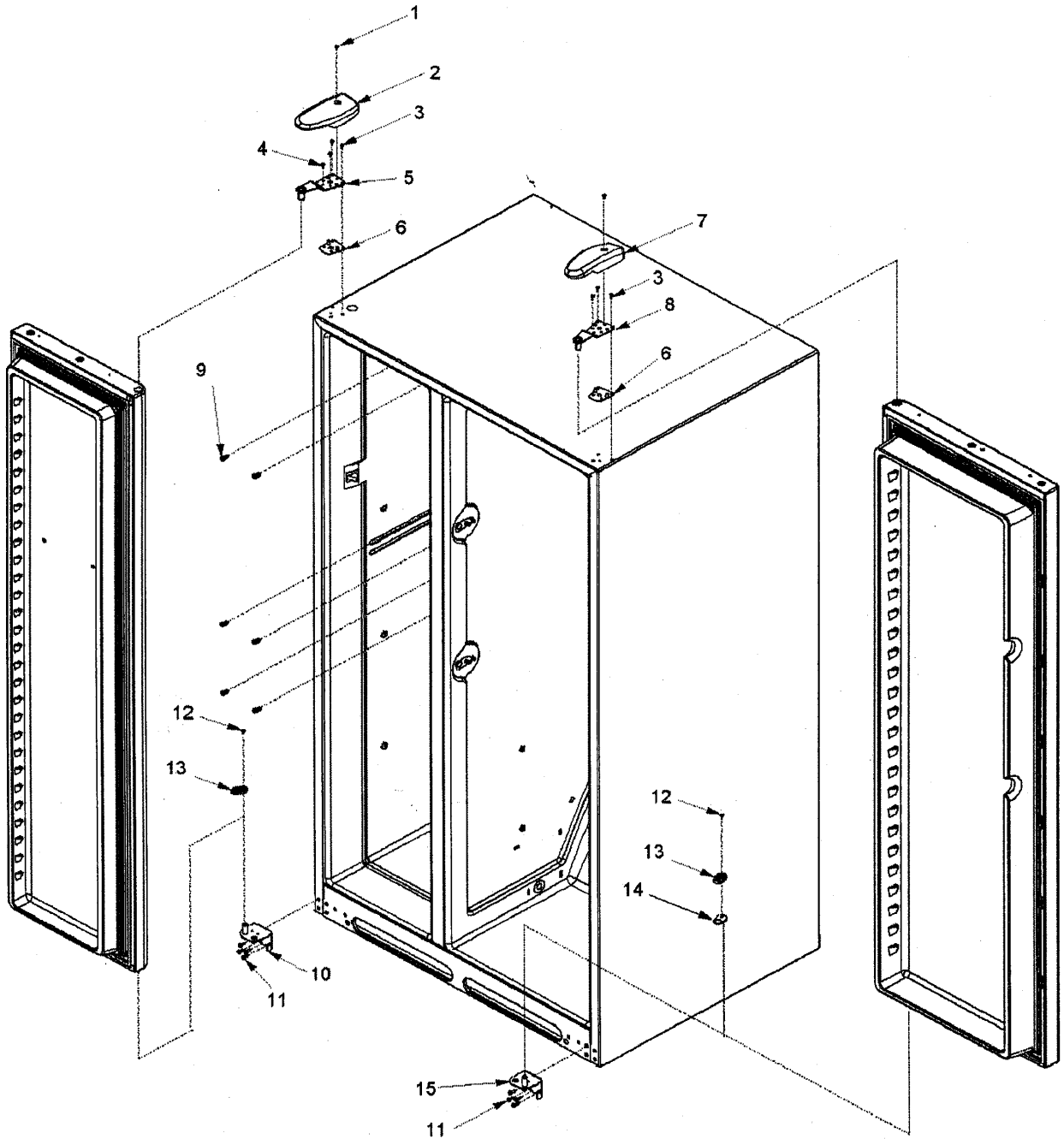
Model: XRSS465BS

CONTENTS

HINGES	4
CRISPER ASSEMBLY.....	6
DELI AND REF SHELF.....	8
LIGHT COVERS AND TOE GRILLE	10
CONTROLS.....	12
MACHINE COMPARTMENT	14
HANDLES AND TRIM.....	16
FZR DOOR AND FACADE	18
REF / FZR DOOR AND SHELF	20
FZR SHELF	22
LIGHTS AND ICE MAKER.....	24
EVAP FAN ASSY AND LIGHTS	26
ICE BUCKET ASSEMBLY	28
CABINET BACK	30
EVAPORATOR ASSEMBLY AND ROLLERS	32
WIRING INFORMATION	34

Fisher & Paykel Ltd
Whiteware Spare Parts
PO Box 58-732, Greenmount.
80 Springs Rd, East Tamaki
New Zealand
Tel: (09) 272 0261
Fax: (09) 272 0219
Email: parts@fp.co.nz

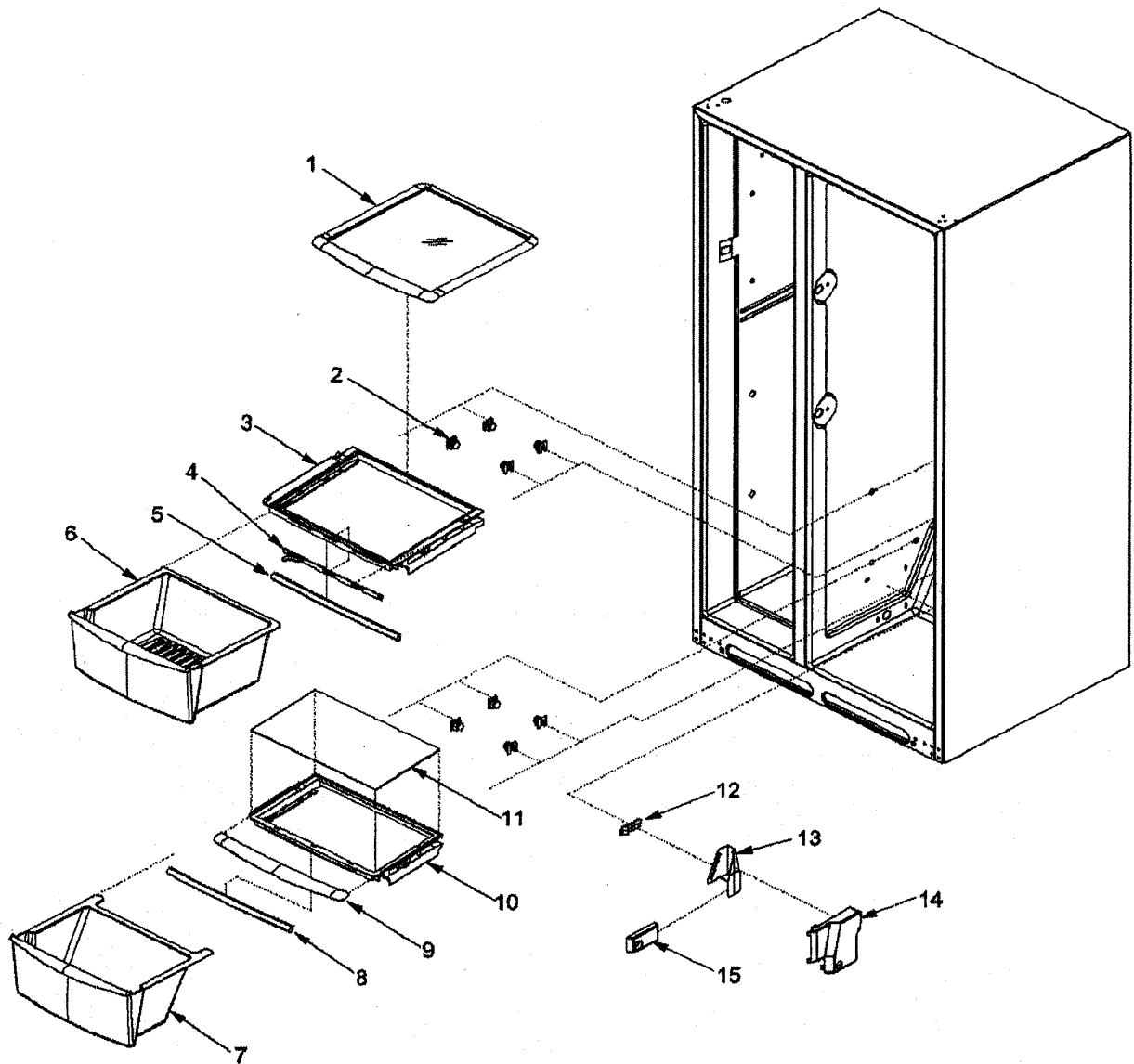
HINGES



HINGES

Key	Part Number	Description	Substitution	Qty
1	M0202336	SCREW, MACH		2
2	12629802B	COVER, TOP HINGE (LT-BLK)		1
3	M0238731	SCREW, TF	R9800670	6
4	M0202321	SCREW, MACH		1
5	12626902ED	HINGE, TOP (LT-BLK)		1
6	12695601	SHIM, TOP HINGE		2
7	12629801B	COVER, TOP HINGE (RT-BLK)		1
8	12626901ED	HINGE, TOP (RT-BLK)		1
9	M0581003	GROMMET, SCREW		6
10	12636901WD	HINGE, BOTTOM (LT-WHT)		1
11	M0241608	SCREW, SM		8
12	M0220431	SCREW, TC		2
13	12431301	CLOSURE, DOOR (WHT)	R0181181	2
14	10361806	SHIM, DR CLOSURE (BLK)		1
15	12636902WD	HINGE, BOTTOM (RT-WHT)		1

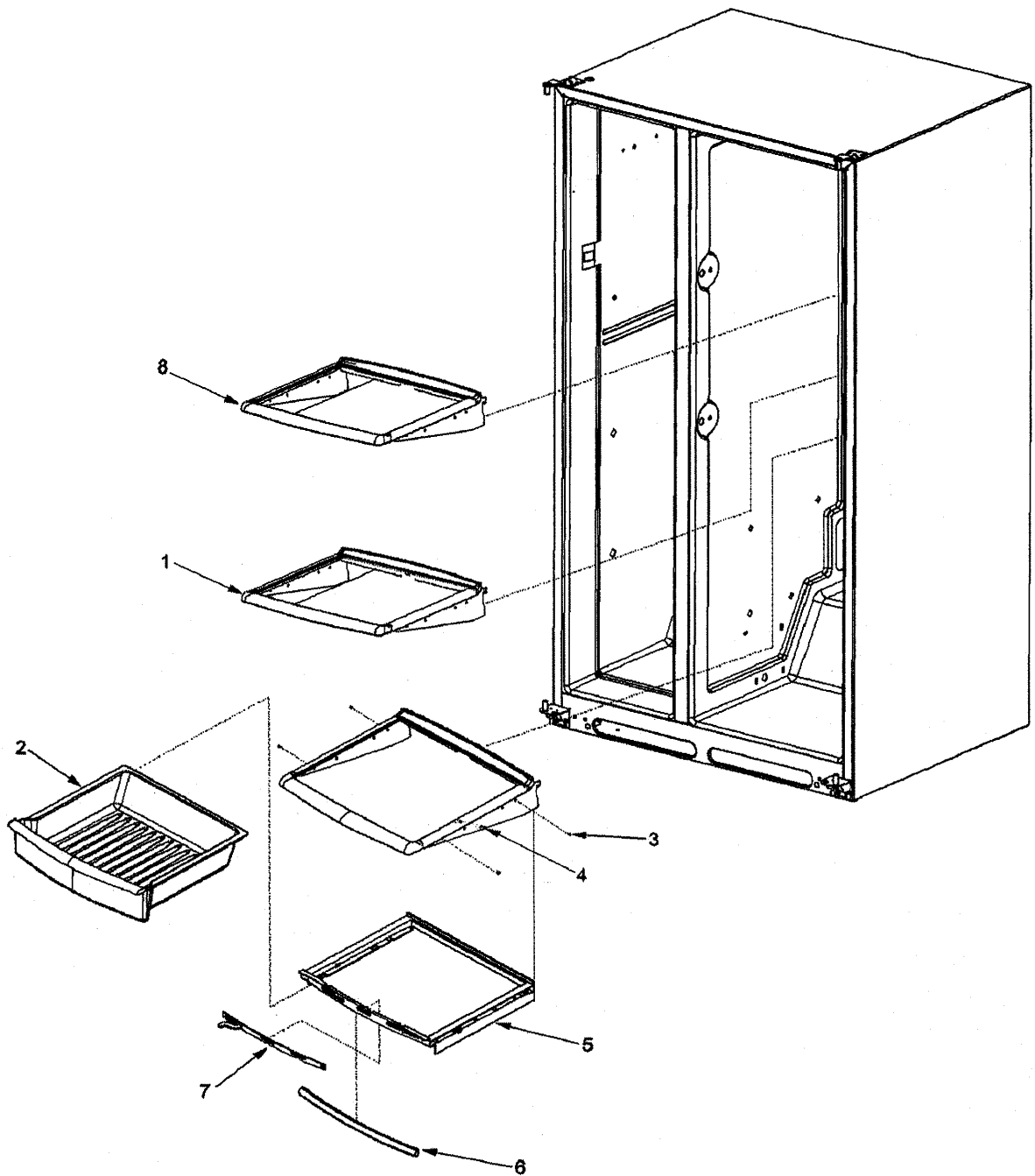
CRISPER ASSEMBLY



CRISPER ASSEMBLY

Key	Part Number	Description	Substitution	Qty
1	12559701	SHELF, TOP CRISPER		1
2	12603701	SUPPORT, CRISP FRAME		8
3	12663601	FRAME, LG CRISPER	67002723	1
4	12562601U	SLIDE, LG CRISPER (BLUE)		1
5	12589104	SEAL, SM CRISPER FRONT		1
6	67001503	PAN, LG CRISPER		1
7	67001504	PAN, DELI		1
8	12589104	SEAL, SM CRISPER FRONT		1
9	12562301	TRIM, DELI FRAME		1
10	12663501	FRAME, DELI	67002822	1
11	12204811	GLASS, SHELF		1
12	12586201U	CONTROL, DELI (BLUE)		1
13	12586101	SLIDE, DELI CONTROL		1
14	12586001	HOUSING, DELI CONTROL		1
15	12664201	TUNNEL, DELI CONTROL		1

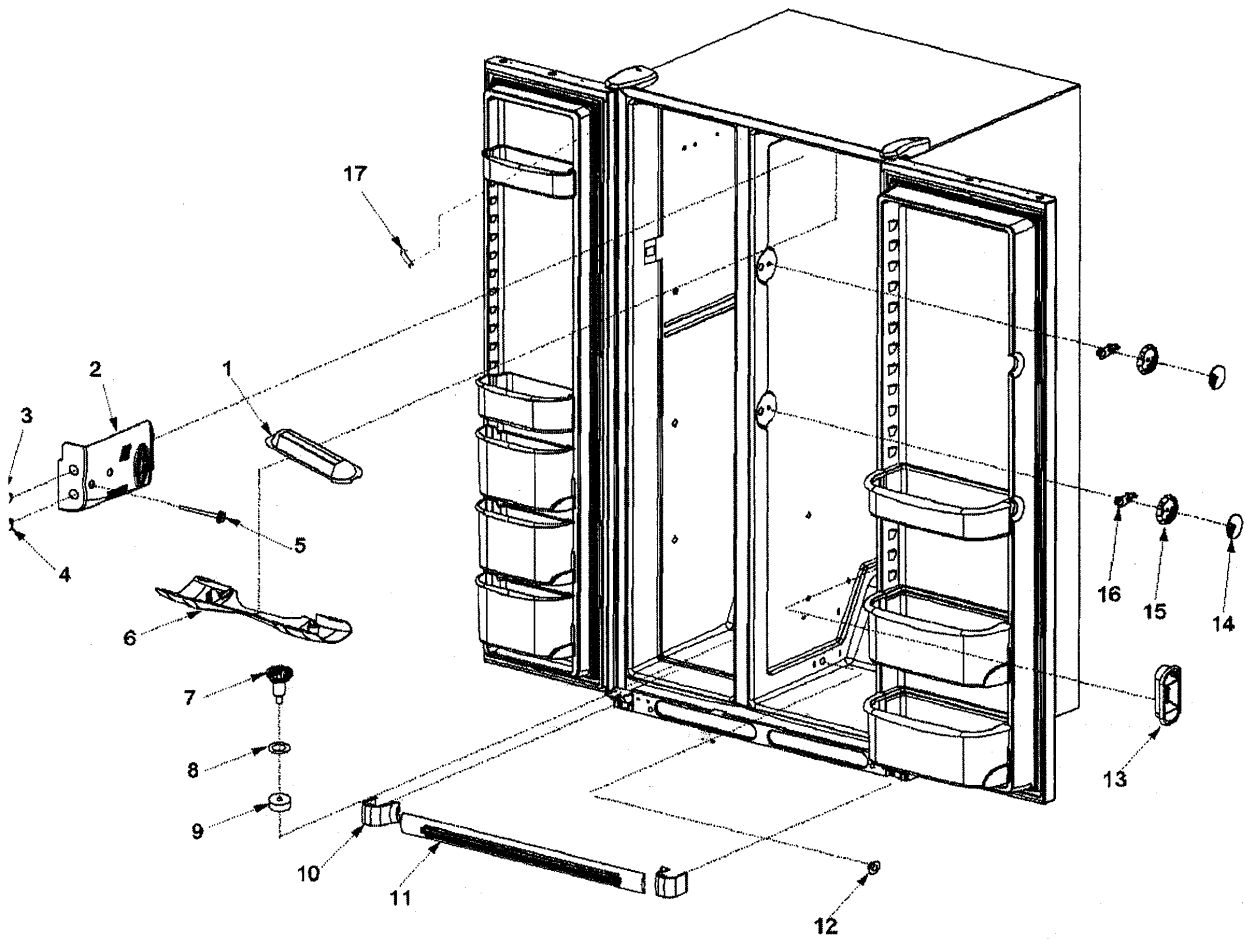
DELI AND REF SHELF



DELI AND REF SHELF

Key	Part Number	Description	Substitution	Qty
1	67002375	SHELF, GLIDE		1
2	67001663	PAN, SM CRISPER		1
3	M0214931	SCREW, SM		4
4	67002376	SHELF-24 B/B STA		1
5	12663801	FRAME, SM CRISPER		1
6	12589104	SEAL, SM CRISPER FRONT		1
7	12562602U	SLIDE, SM CRISPER (BLUE)		1
8	12457407	SHELF, B/B STA-24		1

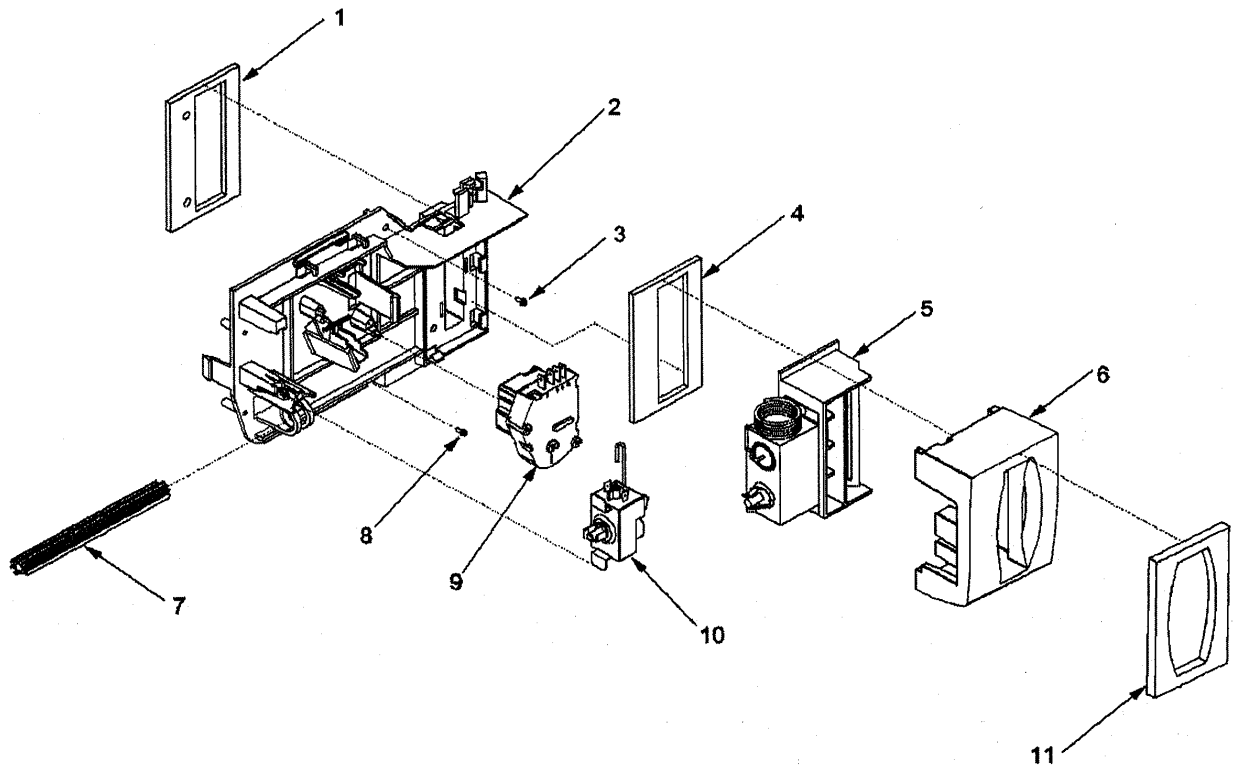
LIGHT COVERS AND TOE GRILLE



LIGHT COVERS AND TOE GRILLE

Key	Part Number	Description	Substitution	Qty
1	67002221	HOUSING, UP REF		1
2	67002222	COVER, EXPORT CONTROL		1
3	12581102	KNOB, CONTROL		1
4	12581101	KNOB, CONTROL		1
5	M0231426	SCREW, SM		1
6	12602907	COVER, LIGHT		1
7	12456901	FUNNEL, DRAIN		1
8	M0500703	SEAL, O'RING		1
9	B8381501	GASKET, DRAIN TUBE		1
10	12630301B	COVER, LWR HINGE (BLK)		2
11	67002224	TOE GRILLE ASSY (BLK)		1
11	12627302	CLIP, TOE GRILLE		2
12	12567101	PLUG, AIR TUNNEL		1
13	12634801	GRILLE, RETURN AIR		1
14	67002180	GRILLE, CHILLER		2
15	67002225	CONTROL, CHILLER		2
16	12572701	CLIP, CHILLER CONTROL		2
17	12587702B	COVER, CORNER (BLK)		2

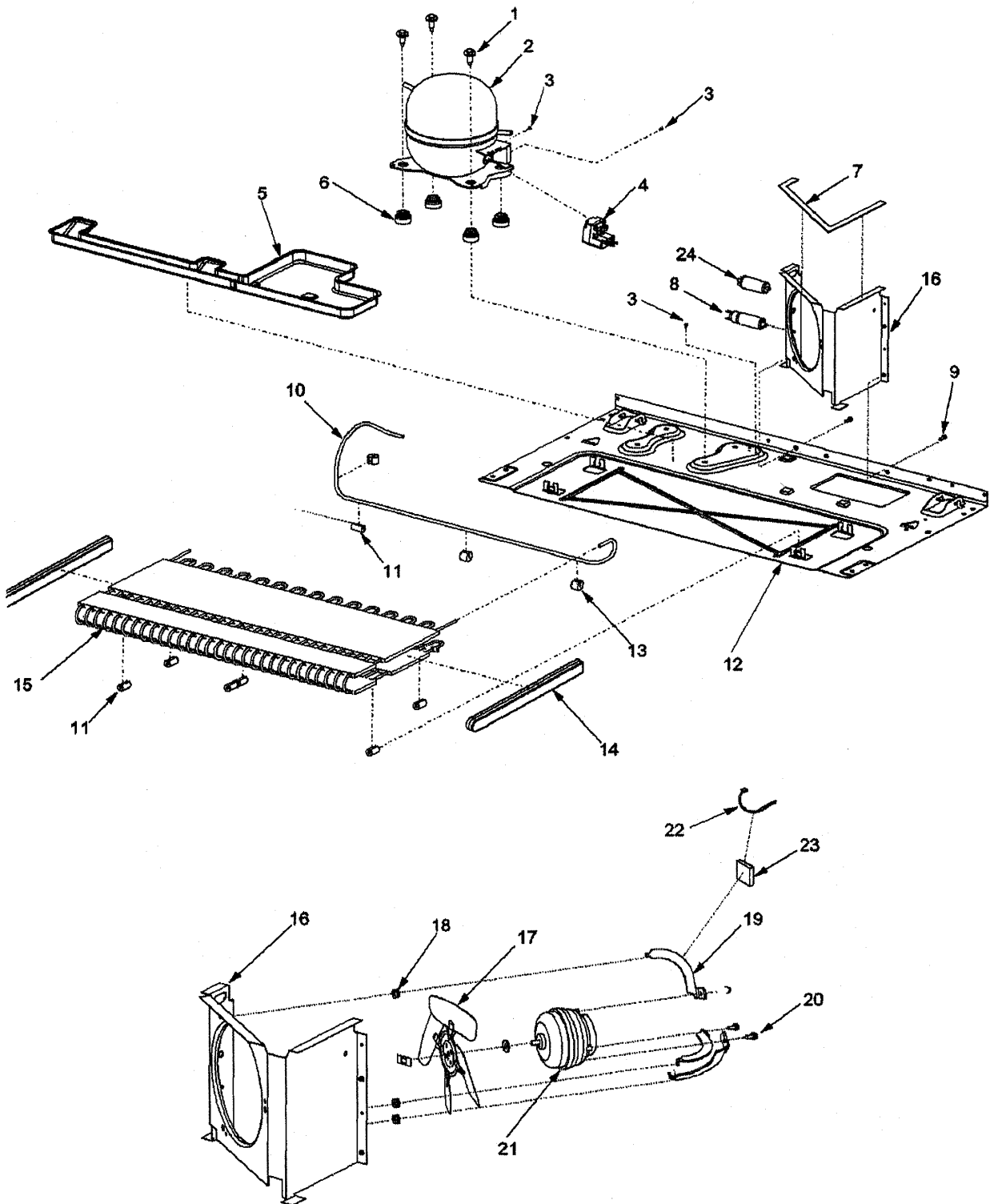
CONTROLS



CONTROLS

Key	Part Number	Description	Substitution	Qty
1	10383201	GASKET, DAMPER		1
2	12558005	BRACKET, CONTROL	67002982	1
3	M0216539	SCREW		1
4	12582801	GASKET, DAMPER		1
5	12571701	CONTROL, DAMPER		1
6	12604201	INSULATION, DAMPER		1
7	12571801	EXTENSION, KNOB		1
8	M0211018	SCREW, SM		1
9	67002167	TIMER, DEFROST		1
10	67002164	CONTROL, FZ TEMP		1
11	12582901	GASKET, CONTROL COVER		1

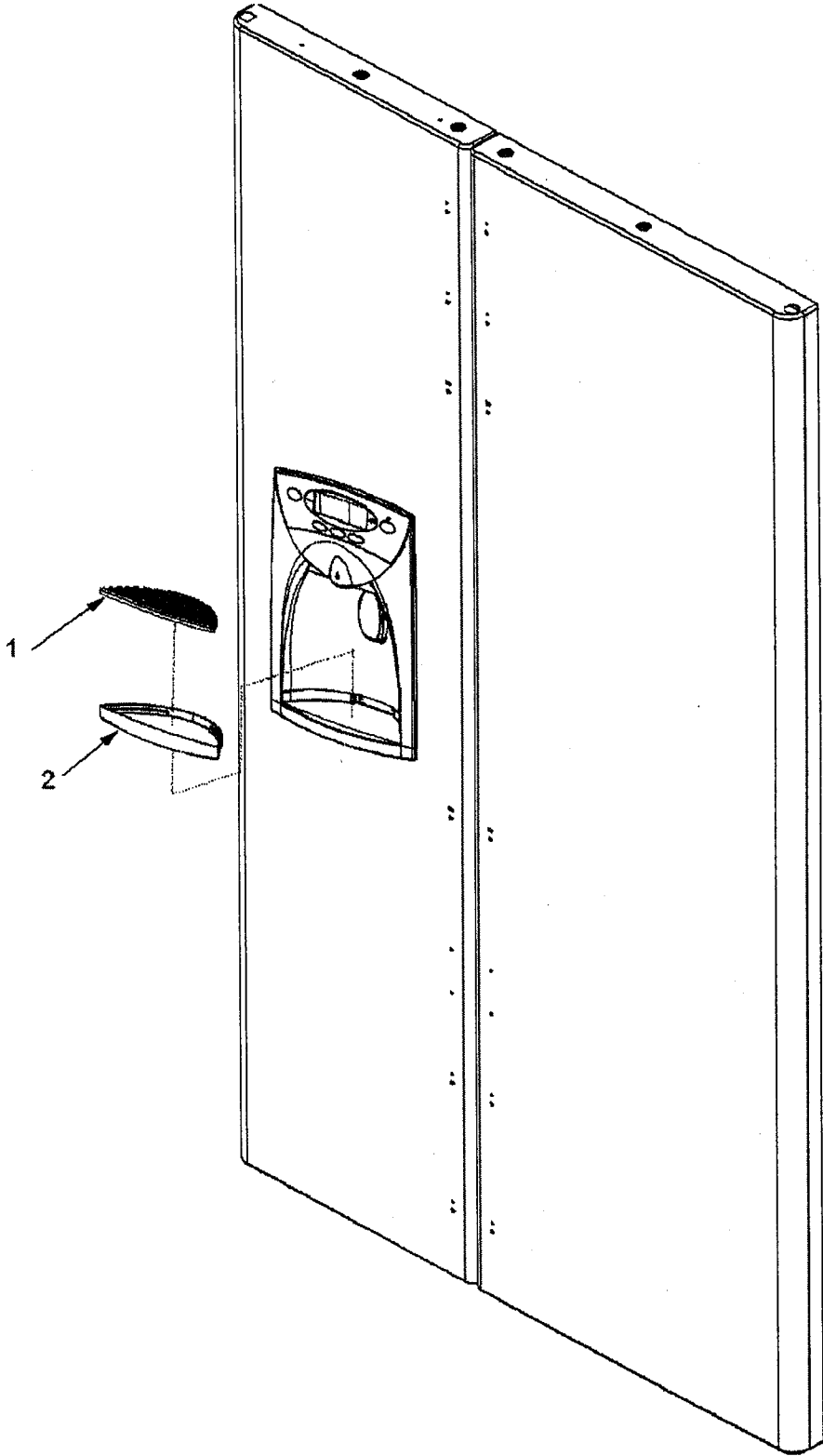
MACHINE COMPARTMENT



MACHINE COMPARTMENT

Key	Part Number	Description	Substitution	Qty
1	M0221523	SCREW, SHLDR		3
2	67002175	COMPRESSOR, EXPORT		1
3	M0231604	SCREW, TF		3
4	67002166	OVERLOAD / RELAY		1
5	12579801	PAN, DRAIN		1
6	10835901	GROMMET, COMPRESSOR		4
7	A3189387	GASKET, COND SHROUD		1
8	10958304	CAPACITOR		1
9	M0238616	SCREW, SM	M0238642	2
10	67002236	TUBE, DISCHARGE		1
11	12578601	GROMMET, CONDENSER		7
12	67001512	PAN, BASE		1
13	10699601	TUBING		3
14	67002235	BLOCK-EPS COND		3
15	12560503ED	CONDENSER		1
16	67001090	SHROUD, CONDENSER FAN		1
17	12587601	BLADE, COND FAN		1
18	12578701	GROMMET, FAN BRKT		3
19	67001311	BRACKET, COND MTR		3
20	M0223816	SCREW, TR		3
21	67002165	MOTOR, CONDENSER		1
22	M0321210	TIE, ELEC	M0321202	1
23	67001096	GASKET, PROTECTIVE		1
24	67002381	FILTER-LINE		1

HANDLES AND TRIM

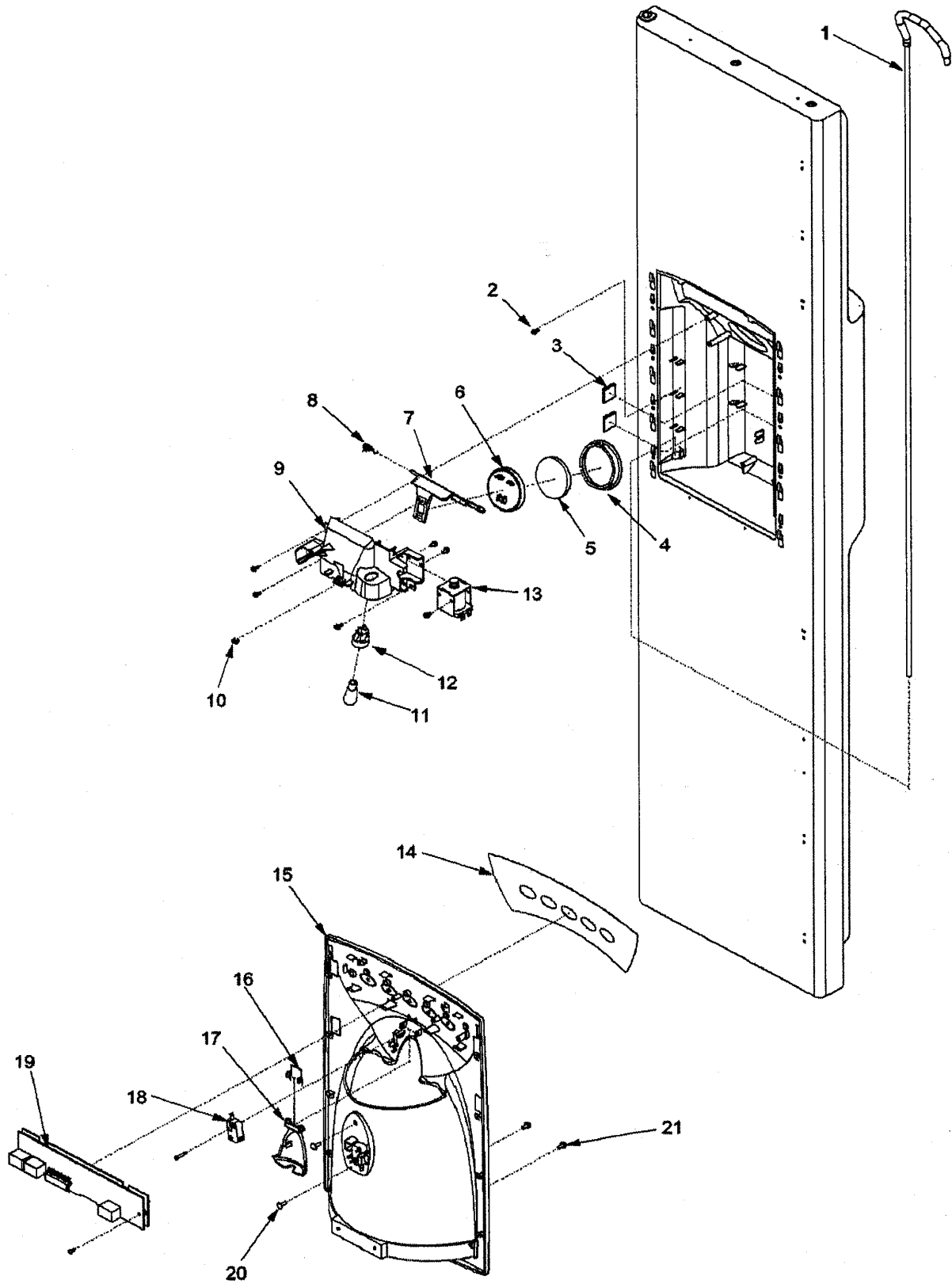


HANDLES AND TRIM

Key	Part Number	Description	Substitution	Qty
1	12593901B	GRILLE, SUMP (BLK)		1
2	67002240	TRAY, SUMP (BLK)		1
NI	904682	HANDLE POLE (SS) MATT		2

NI = NOT ILLUSTRATED

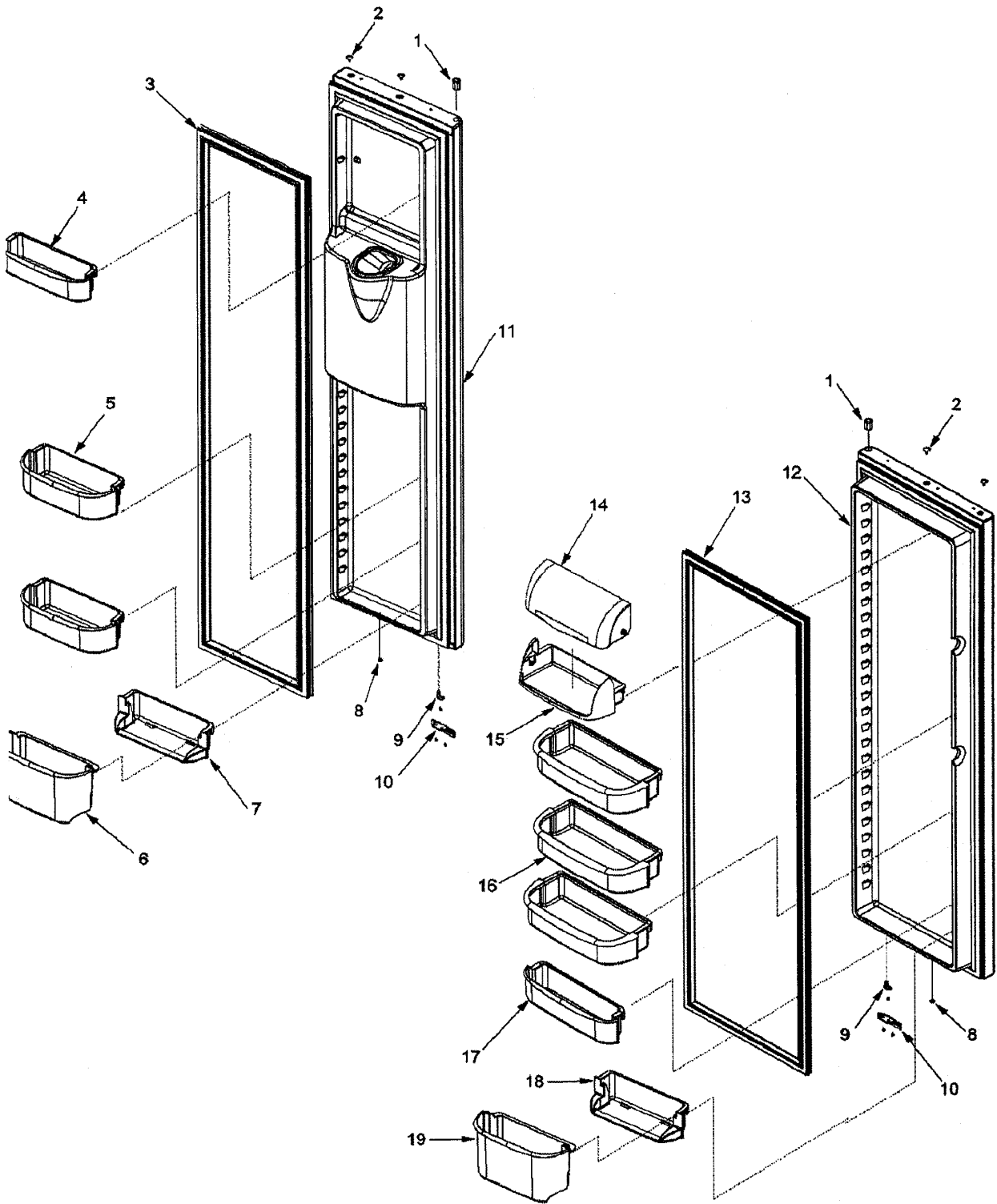
FZR DOOR AND FACADE



FZR DOOR AND FACADE

Key	Part Number	Description	Substitution	Qty
1	12615503	ASSY, WATERLINE		1
2	M0108105	CLAMP, TUBE		1
3	M0104102	CLIP, CORD		2
4	12665101	SEAL, ICE CHUTE		1
5	12563401	INSUL, CHUTE DOOR		1
6	12562701	DOOR, ICE CHUTE		1
7	12563201	HINGE, ICE CHUTE		1
8	12565502	SPRING, CHUTE DR		1
9	M0238642	SCREW, SM		2
9	67001265	EXTENSION, ICE CHUTE		1
10	12678201	CLIP, WATERLINE		1
11	M0360003	BULB, LIGHT		1
12	12617501	SOCKET LIGHT		1
13	67002170	SOLENOID		1
13	M0200314	SCREW, MACH		3
14	67002261	INSERT, FAÇADE (BLK)		1
15	67002262	FAÇADE, 5 BUTTON (BLK)	67002962	1
16	B8385403	SPRING, SPORTS FILL-RETURN		1
17	12665402B	BUTTON, SPORTS FILL (BLK)		1
18	M0237945	SCREW, HI / LO		1
18	12575501	SWITCH, LIMIT		1
19	67002263	BOARD, BETTER		1
20	M0310705	PLUG		2
21	M0238616	SCREW, SM	M0238642	2

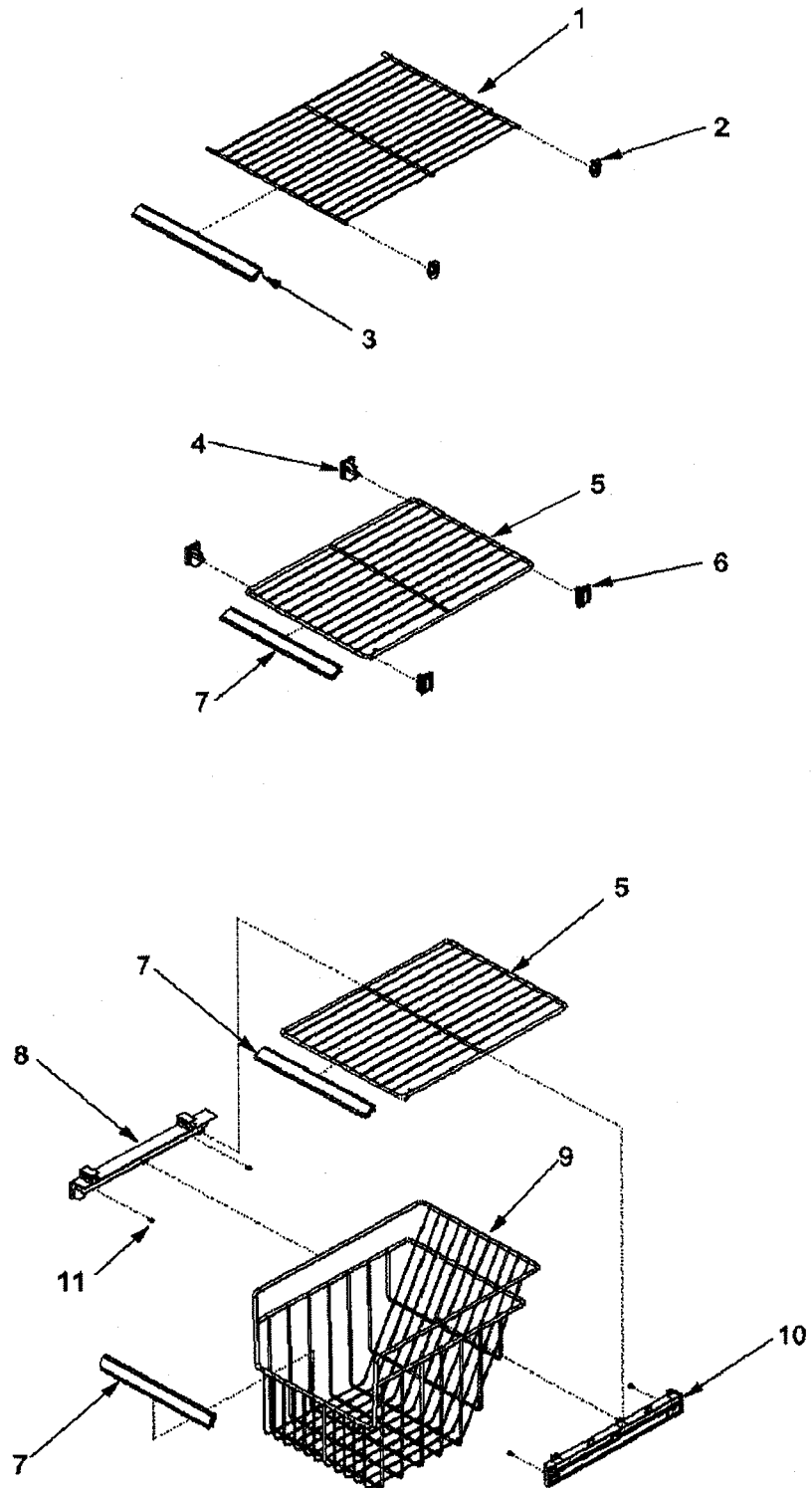
REF / FZR DOOR AND SHELF



REF / FZR DOOR AND SHELF

Key	Part Number	Description	Substitution	Qty
1	10961002	BUSHING, DOOR (BLK)		2
2	M0311604	PLUG, BUTTON (BLK)		4
3	12591502B	GASKET, FZR DR (BLK)		1
4	12556901	BUCKET, UPR FZR DR		1
5	12557501	BUCKET, LWR FZR DR		2
6	12569302	BUCKET, FZ TILT		1
7	12569401	FRAME, TILT BUCKET		1
8	A3080001	PLUG, BUTTON (BLK)		2
9	M0220432	SCREW, TC		1
9	12113204	CLOSURE, DOOR (BLK)	R0181181	1
10	12636401B	STOP, DOOR (BLK)		2
10	M0211018	SCREW, SM		4
11	67002255	FZR DR FOAM ASSY (BLK)		1
12	67002206	REF DR FOAM ASSY (BLK)		1
12	904684	DOOR PANEL KIT REF / FZ (SS)		1
12	904685	DOOR PANEL ICE (SS)		1
13	12591501B	GASKET, REF DR (BLK)		1
14	67001325	DOOR, DAIRY	67002957	1
15	67002304	TRAY, DAIRY		1
16	12556602	BUCKET, REF DOOR (GALLON)		3
17	67002374	BUCKET, REF DOOR (2L)		1
18	12569201	FRAME, 2L REF-TILT		1
19	12569102	BUCKET, 2L REF-TILT		1

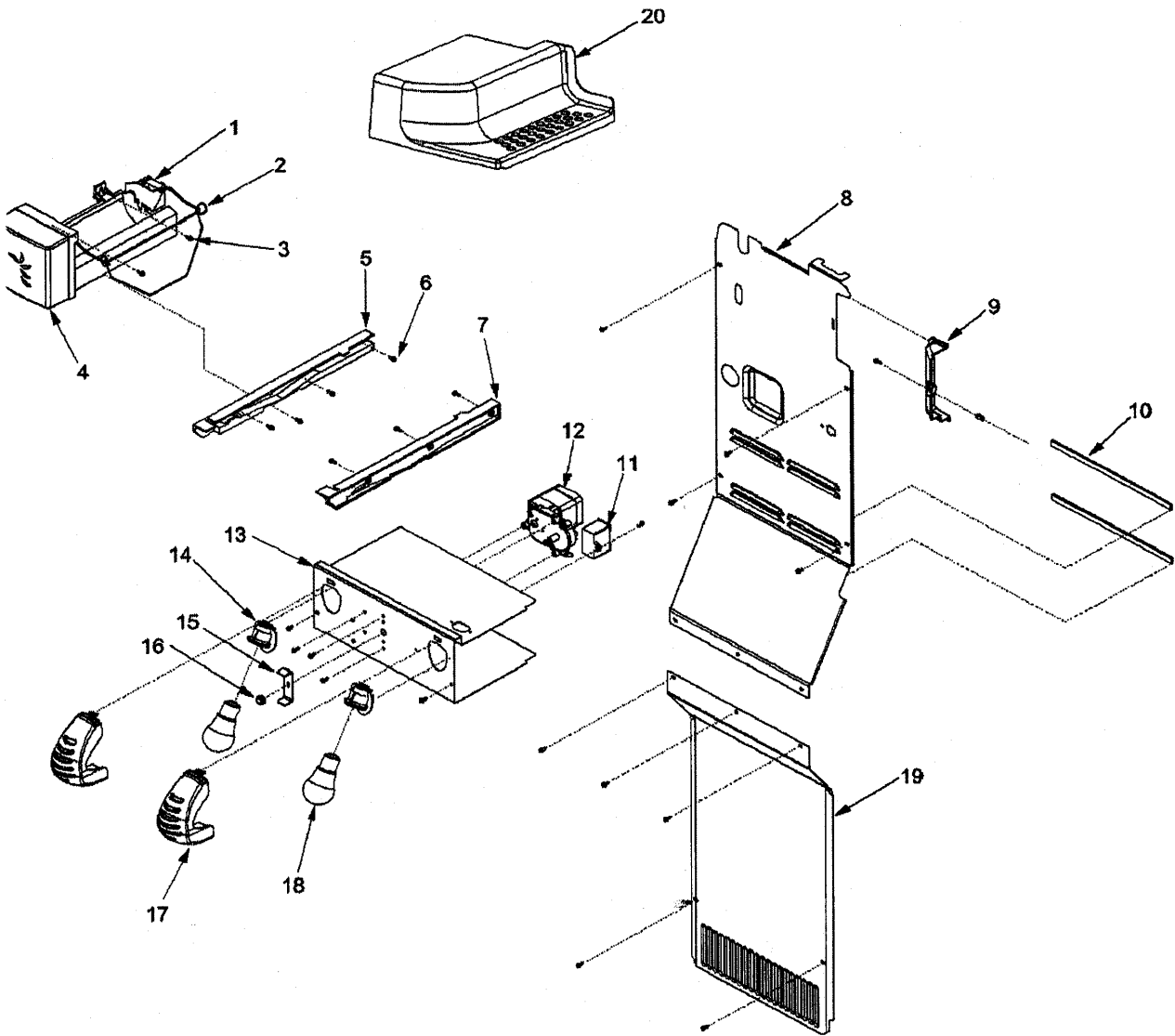
FZR SHELF



FZR SHELF

Key	Part Number	Description	Substitution	Qty
1	12570602	SHELF, UP FZR		1
2	C8973801	SUPPORT, FZR SHELF		2
3	12314102	TRIM, BASKET / SHELF		1
4	12015002	SUPPORT, SHELF (LT)		2
5	12570502	SHELF, LWR FZ		2
6	10941102	SUPPORT, SHELF (RT)		2
7	12314101	TRIM, BASKET / SHELF		3
8	12015101	RAIL, SHELF (LT)		1
9	12570302	BASKET, LWR FZ-24		1
10	10972802	RAIL, SHELF (RT)		1
11	M0211018	SCREW, SM		4

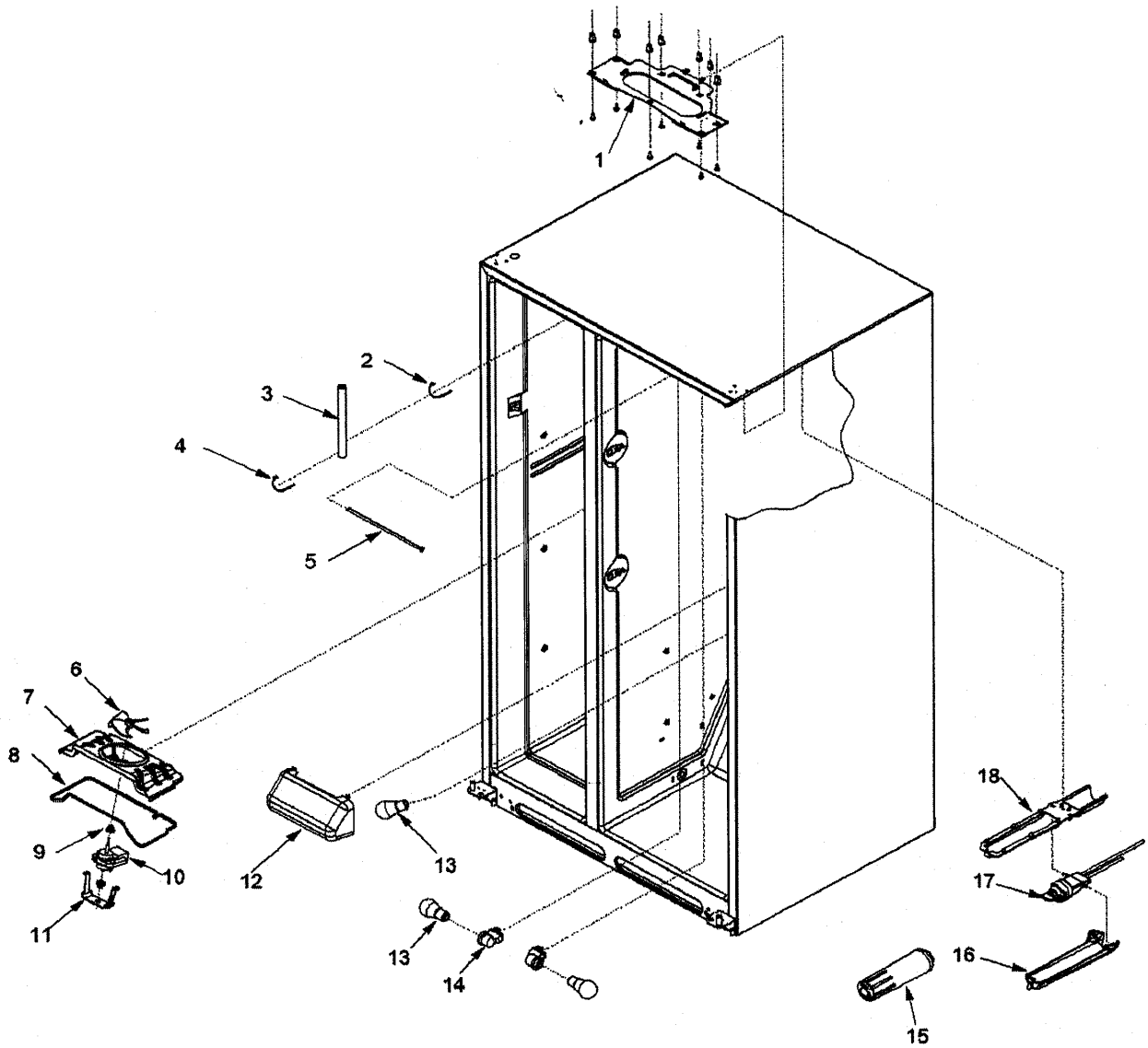
LIGHTS AND ICE MAKER



LIGHTS AND ICE MAKER

Key	Part Number	Description	Substitution	Qty
1	67002377	ICE MAKER ASSY	D7846305	1
2	B8391803	BRKT, ICE MAKER		1
2	D7846203	SHIELD – IM		1
2	12671401	ASSY IM ARM / WIRE		1
3	M0211019	SCREW, SM	M0238642	2
4	12582501	COVER, ICE MAKER		1
5	D7849906	GLIDE, FRZ (LT)		1
6	M0213530	SCREW, SM (STNLS)		7
7	D7849907	GLIDE, FRZ (RT)		1
8	67002267	BACK, INNER FZ		1
8	M0238616	SCREW, SM	M0238642	4
9	M0238616	SCREW, SM	M0238642	1
9	12583101	COVER, SUPPLY AIR		1
9	M0580205	GROMMET, SCREW		1
10	B8386604	GASKET, AIR	10839713	2
11	M0226528	SCREW, TC		1
11	C8931609	CAPACITOR (420 VAC)		1
12	M0226528	SCREW, TC		3
12	10525202	MOTOR, AUGER (230 VAC, 50HZ)	67002700	1
13	M0238616	SCREW, SM	M0238642	2
13	67002268	COVER, AUGER		1
14	67002216	SOCKET, LIGHT		2
15	10114901	DRIVER		1
16	M0223101	NUT, LOCKING		1
17	12583001	SHIELD, FZ LIGHT		2
18	67002217	LAMP, 25W / 50HZ		2
19	M0238616	SCREW, SM	M0238642	5
19	12403401	COVER, EVAP		1
20	12582102	SHELF, QUICK CHILL		1

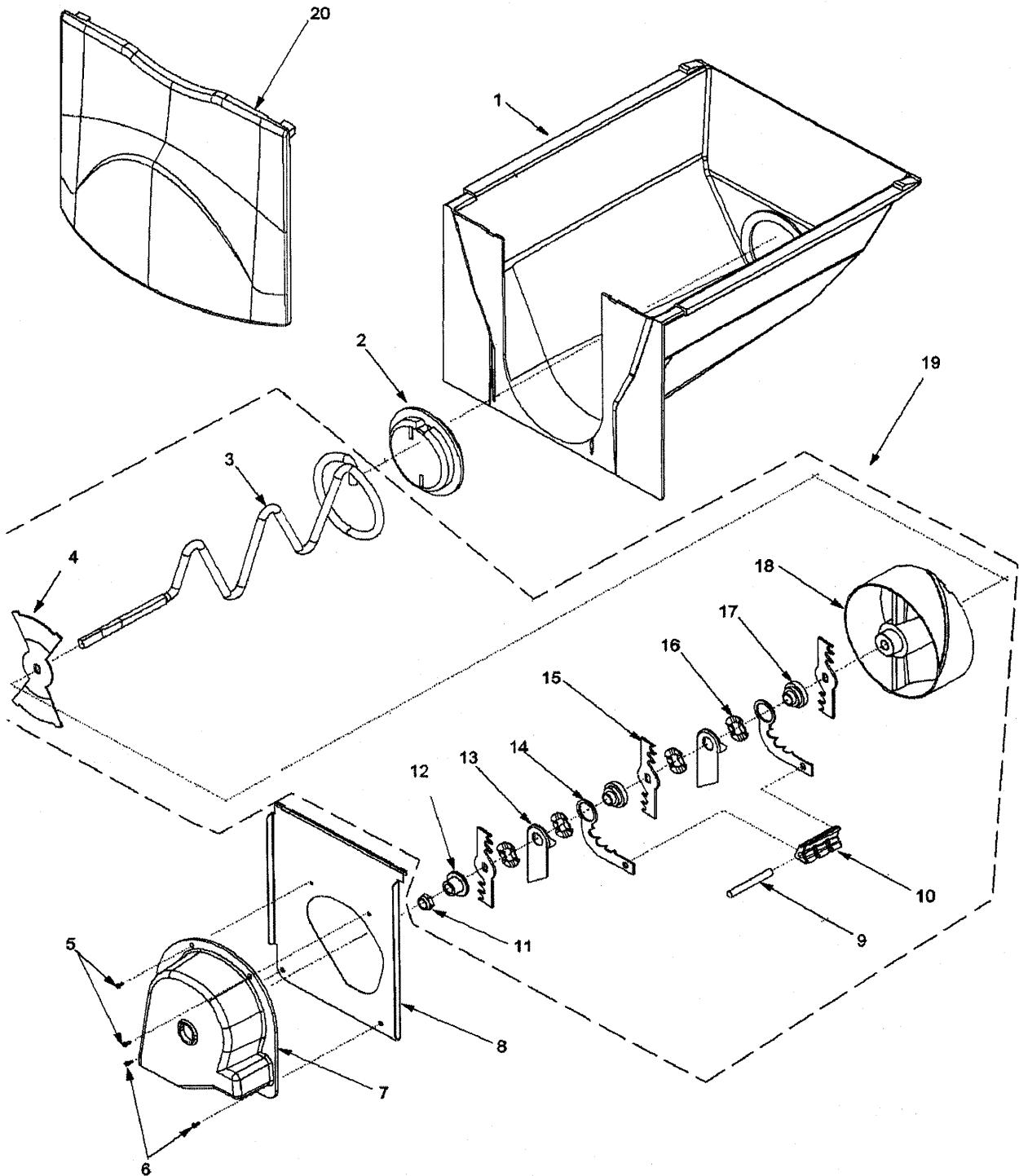
EVAP FAN ASSY AND LIGHTS



EVAP FAN ASSY AND LIGHTS

Key	Part Number	Description	Substitution	Qty
1	M0214931	SCREW, SM		7
1	M0580007	GROMMET, SCREW		7
1	12666201	PLATE, LIGHT BACKING		1
2	M0322202	TIE WIRE		1
3	67002219	INSULATION, TUBING		1
4	M0321210	TIE, ELEC	M0321202	1
5	12617601	TUBE, PLASTIC		1
6	12217201	FAN, EVAPORATOR		1
7	12590001	SHROUD, EVAP		1
8	67001508	GASKET		1
9	12619301	GROMMET, FAN MOTOR		2
10	10449511	MOTOR, EVAP FAN		1
11	12217805	CLIP, EVAP MOTOR		1
12	67001507	COVER, CRISPER LIGHT		1
13	67002217	LAMP, 25W / 50HZ		3
14	67002218	RECEPTACLE, BULB		2
15	67002269	FILTER, WATER (GENERIC)	12589210	1
16	12568001	COVER, FILTER		1
17	67002378	WATER, FILTER ASSY	67002270	1
18	67002379	PLATE, FILTER BACKING		1

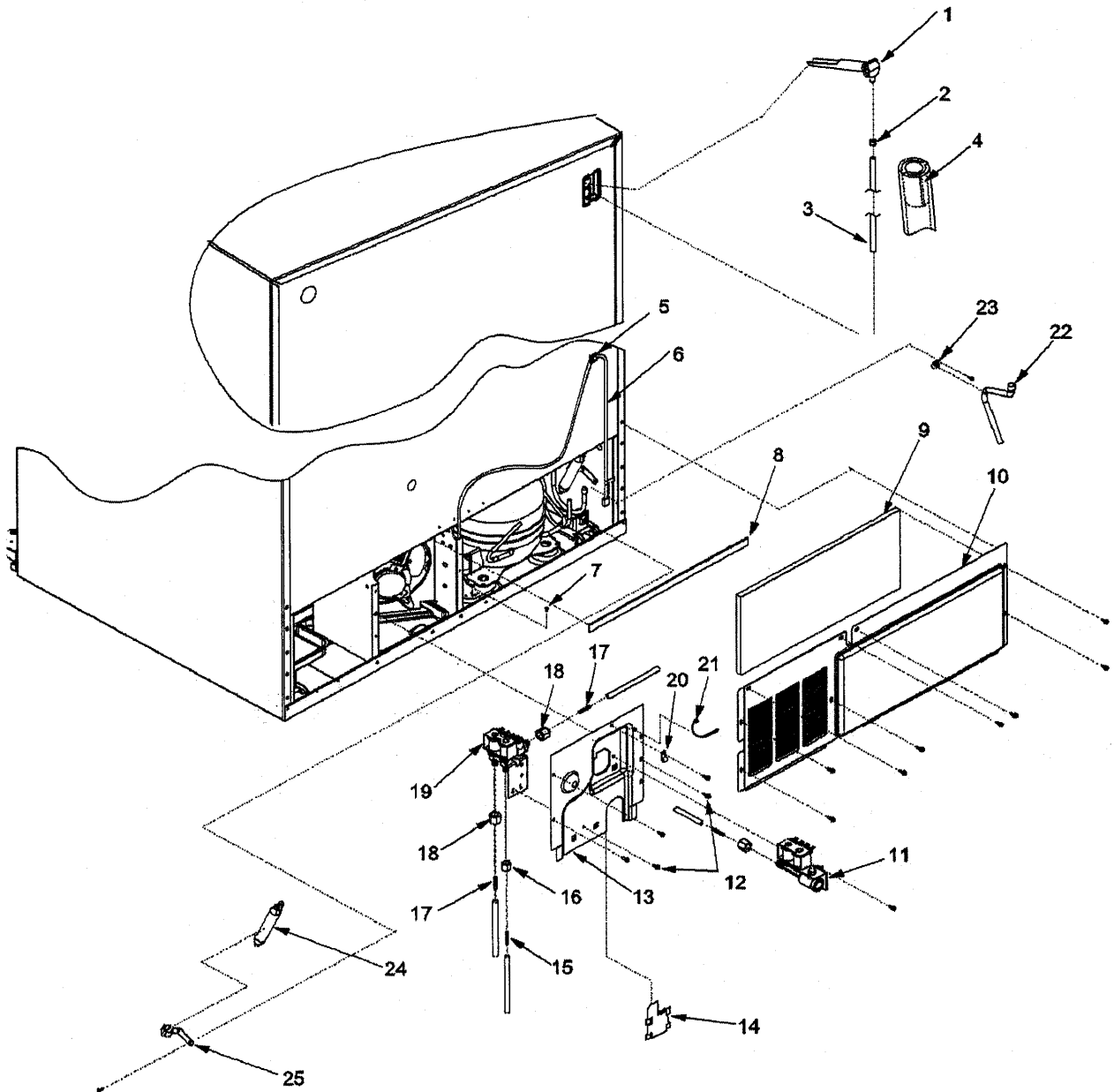
ICE BUCKET ASSEMBLY



ICE BUCKET ASSEMBLY

Key	Part Number	Description	Substitution	Qty
1	12517801	BUCKET, ICE CRUSH		1
2	D7749401	CAP, HELIX END		1
3	10114401	AGITATOR, ICE		1
4	10113801	BAR, CRSH ICE BUCKET		1
5	M0231704	SCREW, TF		2
6	M0238642	SCREW, SM		2
7	67002271	COVER, BLADE		1
8	10115001	FRONT, ICE CRUSHER		1
9	M1200108	PIN, ROLL		1
10	10114101	ANCHOR, BLADE		1
11	M0223101	NUT, LOCKING		1
12	10113901	SPACER, COVER		1
13	10275201	DAMPER, ICE		2
14	10114601	BLADE, STATIC		2
15	10114501	BLADE, ROTATING		3
16	10275101	WASHER, WAVED		4
17	10114301	WASHER STEPPED		2
18	67002052	WHEEL, CRSH ICE		1
19	R0156803	CRUSHED ICE AGITATOR ASSY		1
20	12571606	BUCKET, ICE FRONT		1

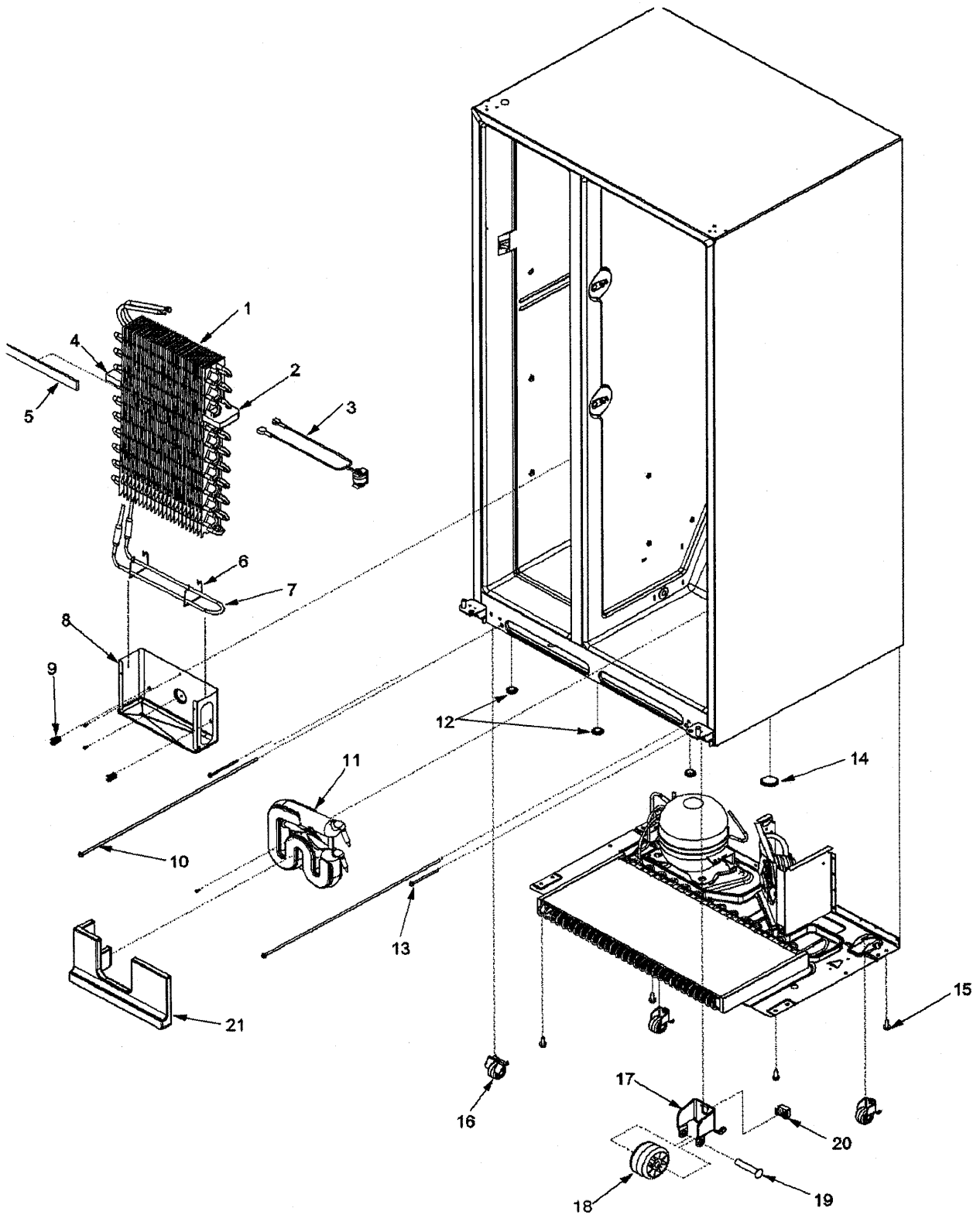
CABINET BACK



CABINET BACK

Key	Part Number	Description	Substitution	Qty
1	12522202	ELBOW, FILL TUBE		1
2	M0114003	CLIP, SPEED		1
3	B5705328	TUBE, PLASTIC		1
4	A3223101	INSERT, PLASTIC TUBE		1
5	M0104106	CLIP, CORD		2
6	67002229	CORD, POWER		1
7	M0239216	SCREW, CA		1
8	B5759649	GASKET, MC BACK		1
9	B0523599	INSULATION, MC BACK		1
10	M0238616	SCREW, SM	M0238642	8
10	12575101ED	BACK, MACH COMP		1
11	67002168	VALVE, PRIMARY WATER		1
11	M0251015	SCREW		1
12	M0251015	SCREW		2
13	12575201ED	COVER, WATER VALVE		1
14	67002380	GUARD, WATER VALVE		1
15	A1055105	SPRING, ANTI KINK		1
16	M0753001	NUT, SLEEVE		1
17	A1055104	SPRING, ANTI-KINK		3
18	M0753002	NUT, SLEEVE		3
19	67002169	VALVE, SECONDARY WATER		1
20	M0108001	CLAMP, TUBE		1
20	M0238616	SCREW, SM	M0238642	1
21	M0322202	TIE WIRE		1
22	12580401	TUBE, DRAIN		1
23	M0220617	SCREW, SM		1
23	M0102303	CLAMP		1
24	67002232	DRIER	B2150504	1
25	67001510	SCREW		1
25	10547002	CLIP, DRIER		1

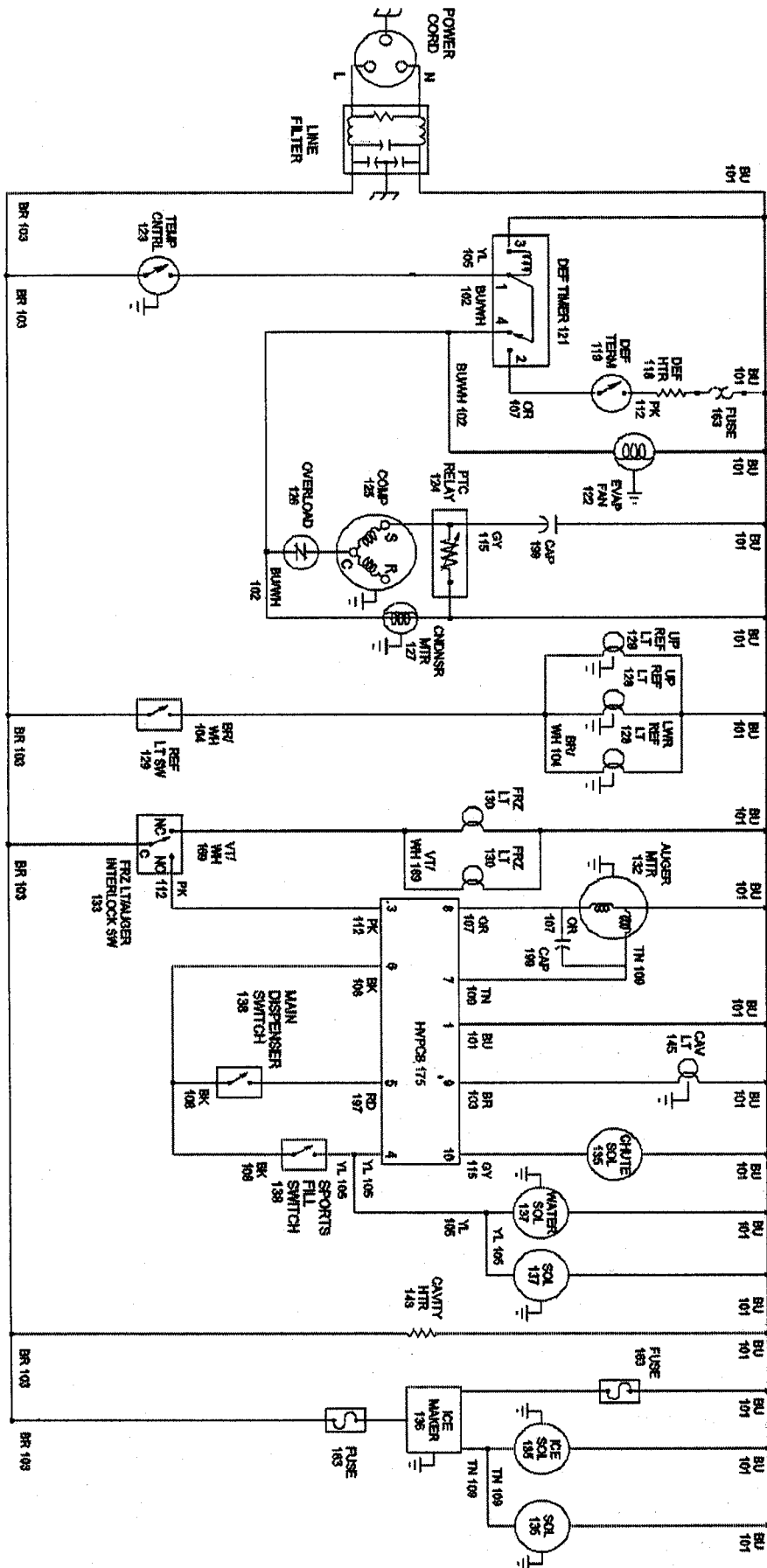
EVAPORATOR ASSEMBLY AND ROLLERS



EVAPORATOR ASSY AND ROLLERS

Key	Part Number	Description	Substitution	Qty
1	12676401	EVAPORATOR, SXS	12001940	1
2	12590102	BLOCK, AIR COIL (RT)		1
3	R0131454	KIT, THERMOSTAT		1
4	12590101	BLOCK, AIR COIL (LT)		1
5	67002226	GASKET, FOAM		1
6	10428101	CLIP, EVAP HEATER		2
7	12049803	HEATER, EVAP		1
8	M0224416	SCREW, SM	700502	2
8	12558101WD	TRAY, EVAP DRIP		1
9	10623003	CLIP, EVAPORATOR		2
10	10093314	SCREW, ADJUSTING		2
11	10988503	TANK, WATER	R0131625	4
11	M0211018	SCREW, SM		1
12	A3080001	PLUG, BUTTON (BLK)		3
13	12606102	BOLT, ROLLER ADJ		2
14	A3076901	PLUG, BUTTON		1
15	67001510	SCREW		4
16	67002227	ROLLER BRACKET ASSY		4
17	12456801	BRACKET, ROLLER		1
18	10450602	ROLLER		1
19	M1205302	RIVET		1
20	M0286708	NUT, SPEED		1
21	67002275	INSULATION, WATER TANK		1

WIRING INFORMATION



WIRING INFORMATION

Key	Part Number	Description	Substitution	Qty
1	15003048	WIRING INFORMATION		1