

Haier

Parts Manual Twin Tub Washing Machine

Model:
XPB60-CS WH HA AA

Product ode:
61317-A



61317-A

PRODUCT

Brand Haier
Voltage 220-240V 50Hz
Model XPB60-CS WH HA AA
Product Code 61317-A

Fisher & Paykel Appliances Ltd
78 Springs Road,
East Tamaki
Auckland 2013
PO Box 58-732, Botany,
Auckland 2163,
New Zealand
Telephone: 09 273 0600
Facsimile: 09 273 0656

Fisher & Paykel Customer Services Pty Ltd
PO Box 798, Cleveland, QLD 4163
A.C.N. 003 3335 171
19 Enterprise Street
Cleveland, QLD 4163
Australia
Telephone: (07) 3826 9100
Facsimile: (07) 3826 9164

CONTENTS

TOP DECK & CONTROL COMPONENTS	6
BOWL & DRAIN COMPONENTS	8
WRAPPER, MOTOR & PUMP COMPONENTS	10

GUIDE TO USING THIS MANUAL

The model covered by this manual is listed on the front cover.

The information detailed in this manual is subject to change without notice. The latest version is indicated by the reprint date and replaces any earlier editions.

The front cover picture shows the type of product and may not necessarily be an exact image of the model covered by the manual.

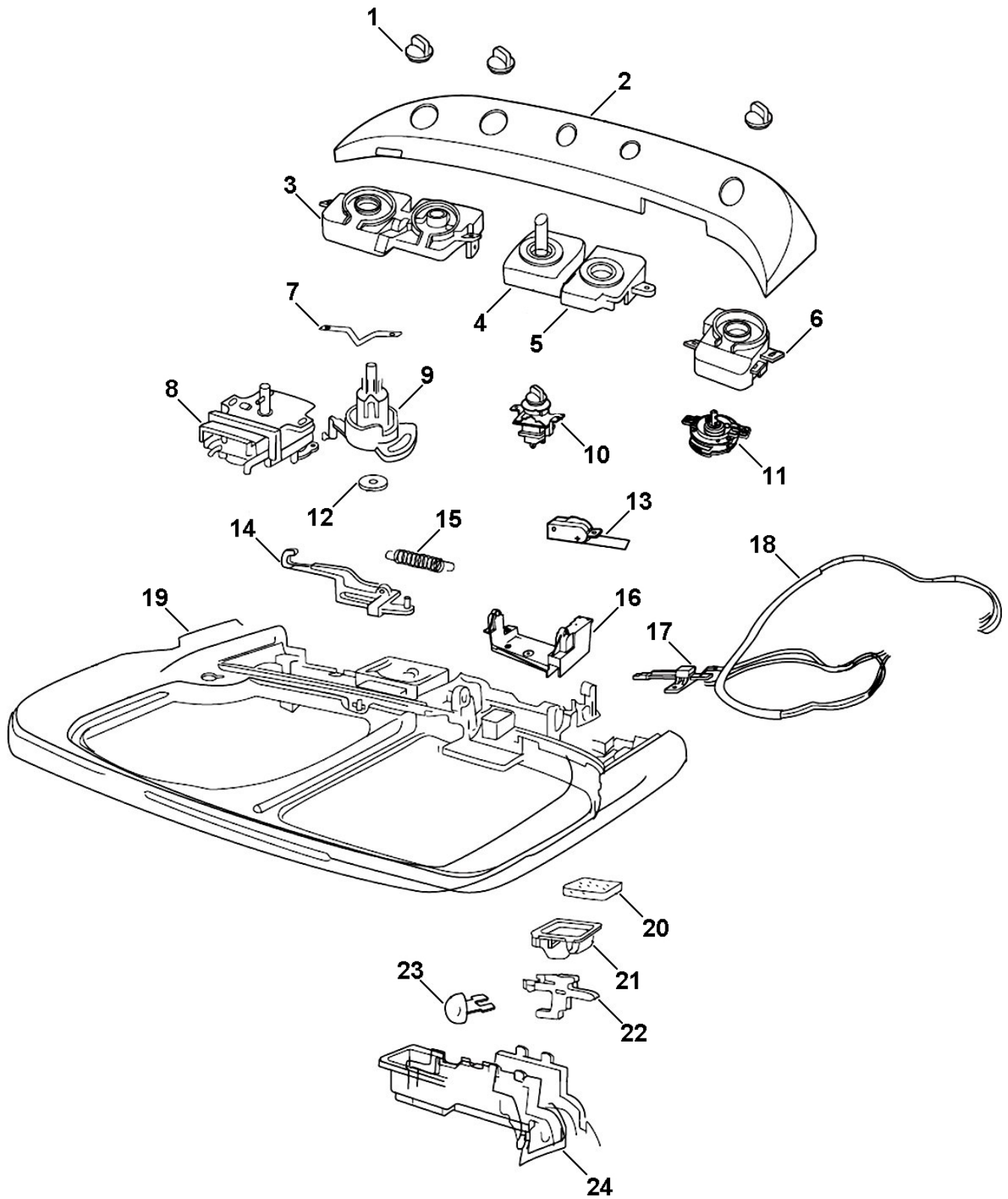
Kit Parts

Kit components are shown in *italics*. Where a part number is shown against the descriptions for these kit components, they are also available as separate items. In addition, some parts may be supplied with these kits that are not available as separate items, and are therefore either not listed, or a part number is not shown against the part description in this manual.

Parts List Key

<i>italics</i>	Kit components or parts included are shown in <i>italics</i> . Refer to above notes: Kit Parts.
NI	As a part reference, indicates the part is not illustrated on the diagram.
NOT USED	As a part number, indicates the diagram part reference is not used in this manual.

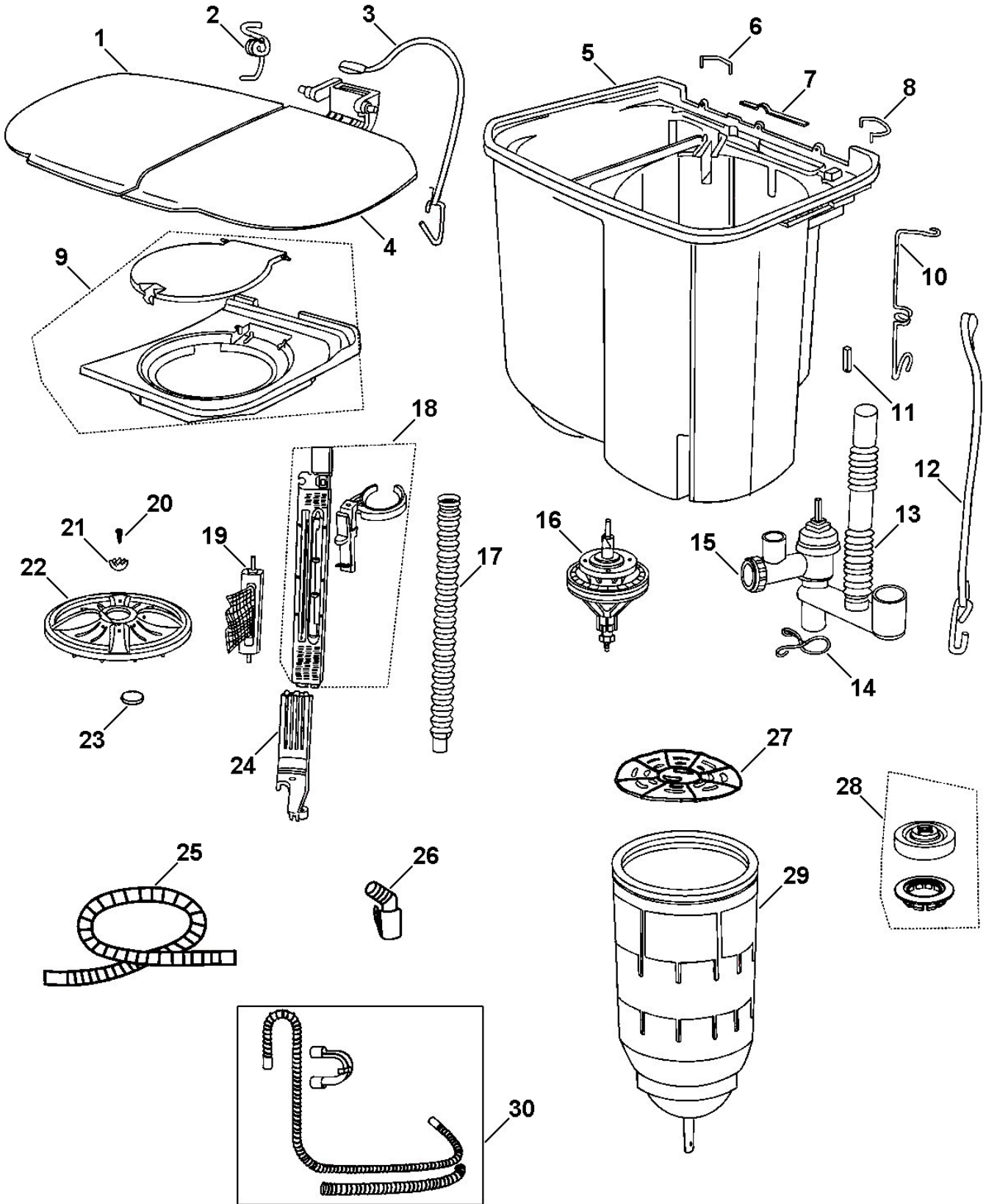
TOP DECK & CONTROL COMPONENTS



TOP DECK & CONTROL COMPONENTS

REF	PART	DESCRIPTION
1	H00330111538	KNOB
2	H0030506853D	PANEL CONTROL
3	H00330111091	HOUSING TIMER WASHER
4	H00330101955	CONTROL WATER INLET
5	H00330111095	HOUSING BUZZER
6	H00330111092	HOUSING SPIN TIMER
7	H00330312502	SPRING POSITION
8	H00330501009	TIMER WASHER
9	H00330109018	CAM SELECTOR WASH
10	H00330513517	TIMER SPIN
11	H00330501013	TIMER SPIN
12	H00330101096	WASHER GASKET
13	H00330503060	SWITCH DRAIN
14	H00330101095	ROD CONNECTING
15	H00330603505	SPRING PULL BACK
16	H00330101385	BRACKET HINGE SEAT
17	H00330503500	SWITCH SAFTEY
18	H00330502083	HARNESS
19	H00330111529	TOP DECK
20	H00330104003	BUFFER WATER FILLING
21	H0030203769	GUIDE WATER FILLING
22	H00330109003	SLIDE WATER FILLING
23	H00330111532	KNOB WATER FILLING
24	H00330101967	BRACKET BYPASS CHANNEL

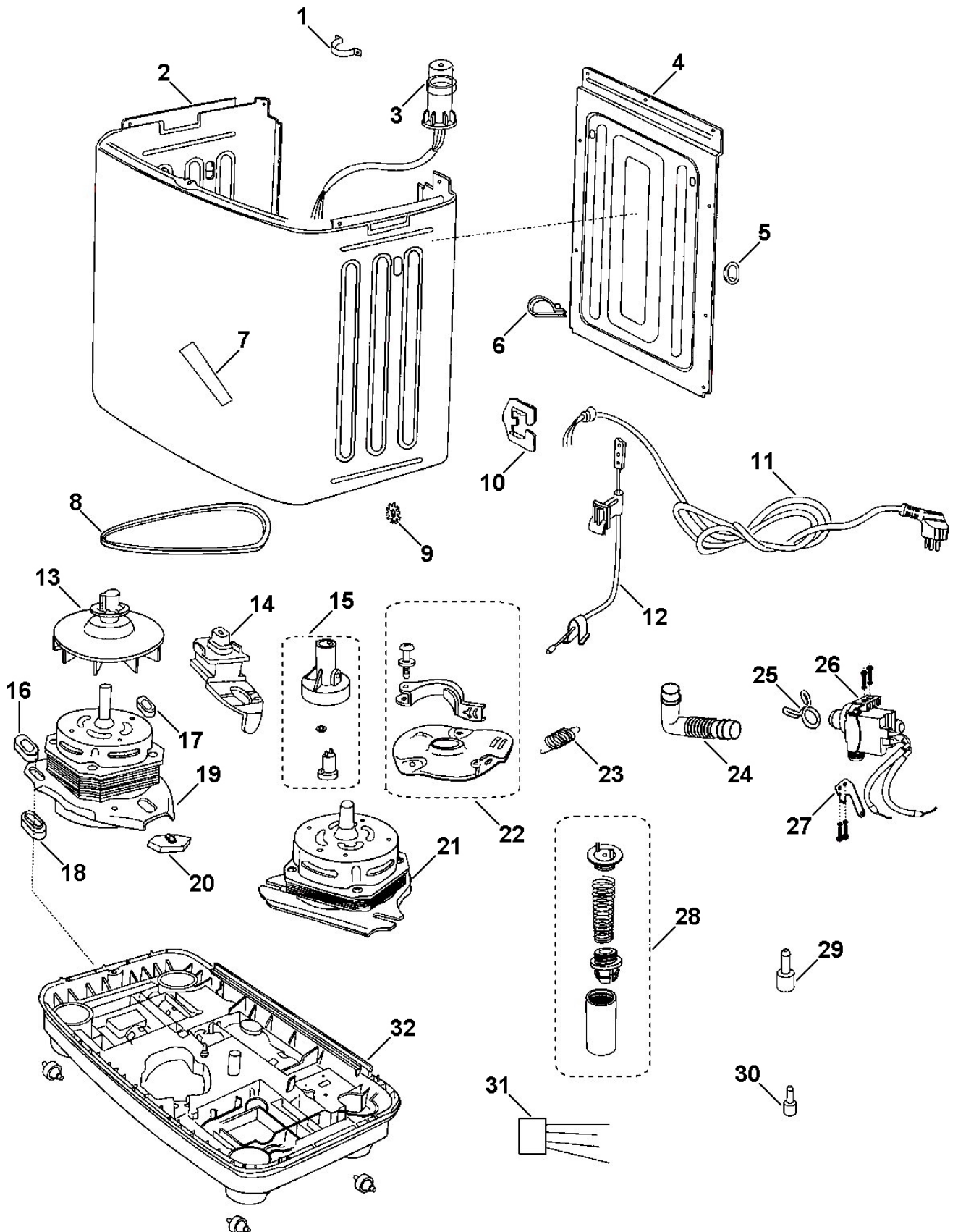
BOWL & DRAIN COMPONENTS



BOWL & DRAIN COMPONENTS

REF	PART	DESCRIPTION
1	H0030200421	LID WASH TUB
2	H00330603049	SPRING KICK SPIN LID
3	H00330029007	BAND BRAKE PULLBACK
4	H0030200420	LID SPIN TUB
5	H00330101964	TUB WASH AND SPIN
6	H00330603011	LEVEL LOCATING
7	H00330104006	SEAL STRIP LONG
8	H00330602019	CLAMP
9	H0030800299	TOP DECK SPIN TUB
10	H00330602018	GUIDE PULLBACK BAND
11	H00330127007	GASKET RECTANGLE
12	H00330029008	BAND DRAIN PULLBACK
13	H00330107008	HOSE OVERFLOW A
14	H00330602017	CLAMP DRAIN HOSE
15	H00330012023	VALVE ASSEMBLY
16	H00330067500	CLUTCH DAMPING
17	H00330107503	HOSE OVERFLOW B
18	H00330033502	FILTER OVERFLOW ASSY
19	H0030203602	LINT FILTER
20	H0030600056	BOLT AGITATOR LP
21	H00330303505	GASKET AGITATOR
22	H0030203121	AGITATOR PLATE PULSATOR
23	H00330303500	COVER AGITATOR
24	H0030202012	COVER PLATE
25	H0030801995	INLET HOSE COMPONENT
26	H00330101569	JOINTER WATER INTEL HOSE
27	H00330113501	INSERT SPIN BASKET GLAND
28	H0030801621	BEARING SPIN SEAT ASSY
29	H0030802415	SPIN BASKET
30	H0030802345	DRAIN HOSE

WRAPPER, MOTOR & PUMP COMPONENTS



WRAPPER, MOTOR & PUMP COMPONENTS

REF	PART	DESCRIPTION
1	H00330301023	CLAMP FOR CAPCITOR
2	H00330301512	WRAPPER
3	H00330506503	CAPACITOR
4	H0030100433	COVER REAR
5	H00330111535	INSERT DRAIN HOOK
6	H00330101655	CLAMP HARNESS HOLDER
7	H0030200374	CUSHION INSIDE OF WRAPPER
8	H00330011005	BELT V TYPE
9	H00330806003	WASHER STAR
10	H00330308502	CLAMP POWER CORD
11	H0030400126	CORD MAINS
12	H00330028004	HINGE SPIN BRAKE
13	H00330401007	PULLEY FAN WASH MOTOR
14	H00330101355	BRACKET SHIFT FIXING
15	H00330047001	CAM SPIN BRAKE
16	H00330206505	BUSH UPPER
17	H00330206507	BUSH UPPER
18	H00330206504	BUSH LOWER
19	H00330504025	MOTOR WASHER
20	H00330206506	PAD A LOWER WASH MOTOR
21	H00330504027	MOTOR SPIN
22	H0030801587	BRAKE PAN ASSY
23	H00330603013	SPRING BRAKE PULLBACK
24	H00330107027	HOSE INNER DRAIN
25	H00330605502	CLAMP DRAIN TO PUMP
26	H0034000121	PUMP DRAIN
27	H00330302010	BRACKET PUMP
28	H00330014011	DAMPER ASSY
30	H00330105503	BUSH A
31	H0034200067	REJECTER
32	H00330001030	BASE FRAME ASSY