

Haier

Parts Manual Twin Tub Washing Machine

Model:
XPB60-287S WH HA AA

Product ode:
61337-A



61337-A

PRODUCT

Brand Haier
Voltage 220-240V 50Hz
Model XPB60-287S WH HA AA
Product Code 61337-A

Fisher & Paykel Appliances Ltd
78 Springs Road,
East Tamaki
Auckland 2013
PO Box 58-732, Botany,
Auckland 2163,
New Zealand
Telephone: 09 273 0600
Facsimile: 09 273 0656

Fisher & Paykel Customer Services Pty Ltd
PO Box 798, Cleveland, QLD 4163
A.C.N. 003 3335 171
19 Enterprise Street
Cleveland, QLD 4163
Australia
Telephone: (07) 3826 9100
Facsimile: (07) 3826 9164

CONTENTS

BOWL & DRAIN COMPONENTS	6
TOP DECK & CONTROL COMPONENTS	8
WRAPPER, MOTOR & PUMP COMPONENTS	10

GUIDE TO USING THIS MANUAL

The model covered by this manual is listed on the front cover.

The information detailed in this manual is subject to change without notice. The latest version is indicated by the reprint date and replaces any earlier editions.

The front cover picture shows the type of product and may not necessarily be an exact image of the model covered by the manual.

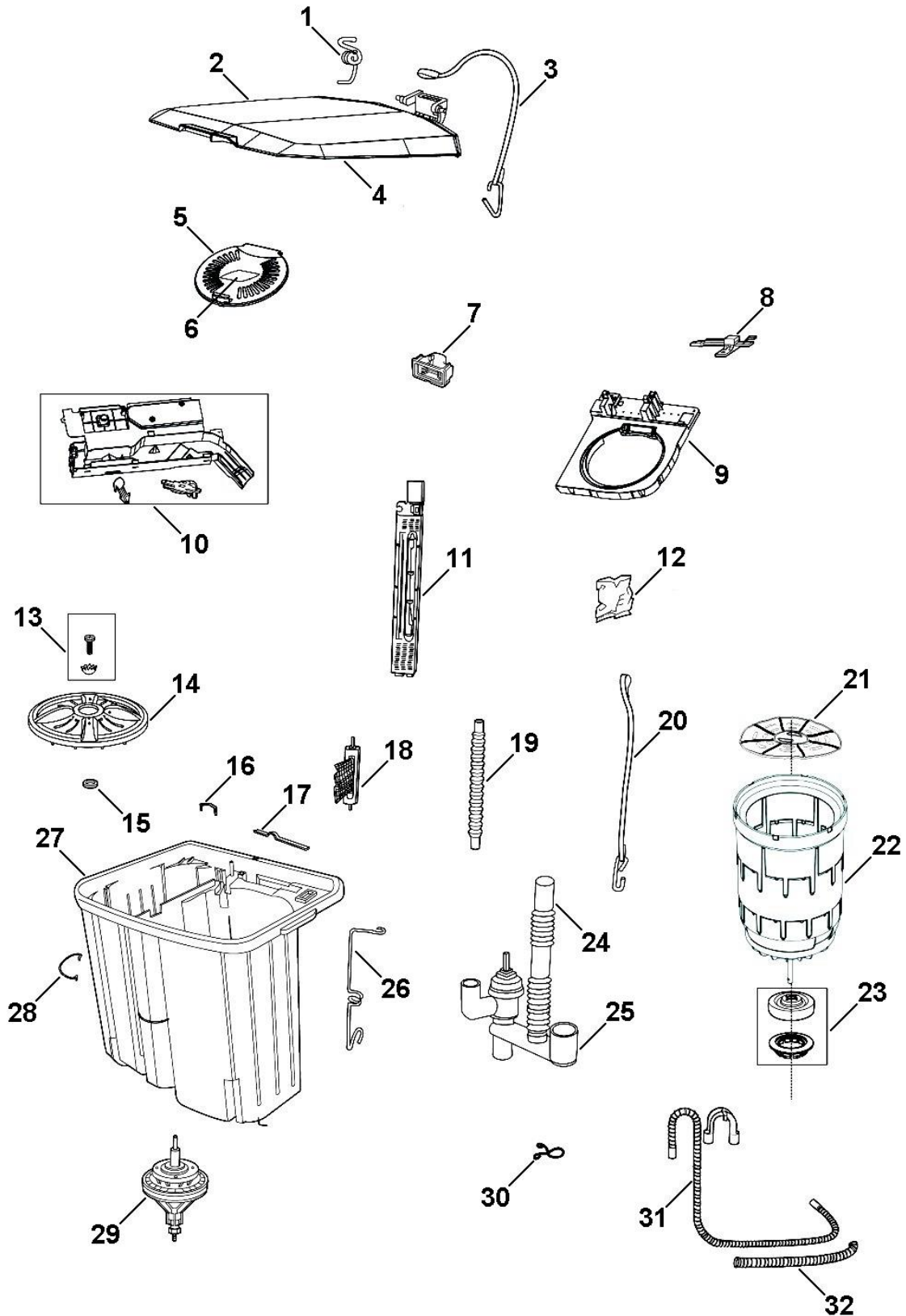
Kit Parts

Kit components are shown in *italics*. Where a part number is shown against the descriptions for these kit components, they are also available as separate items. In addition, some parts may be supplied with these kits that are not available as separate items, and are therefore either not listed, or a part number is not shown against the part description in this manual.

Parts List Key

<i>italics</i>	Kit components or parts included are shown in <i>italics</i> . Refer to above notes: Kit Parts.
NI	As a part reference, indicates the part is not illustrated on the diagram.
NOT USED	As a part number, indicates the diagram part reference is not used in this manual.

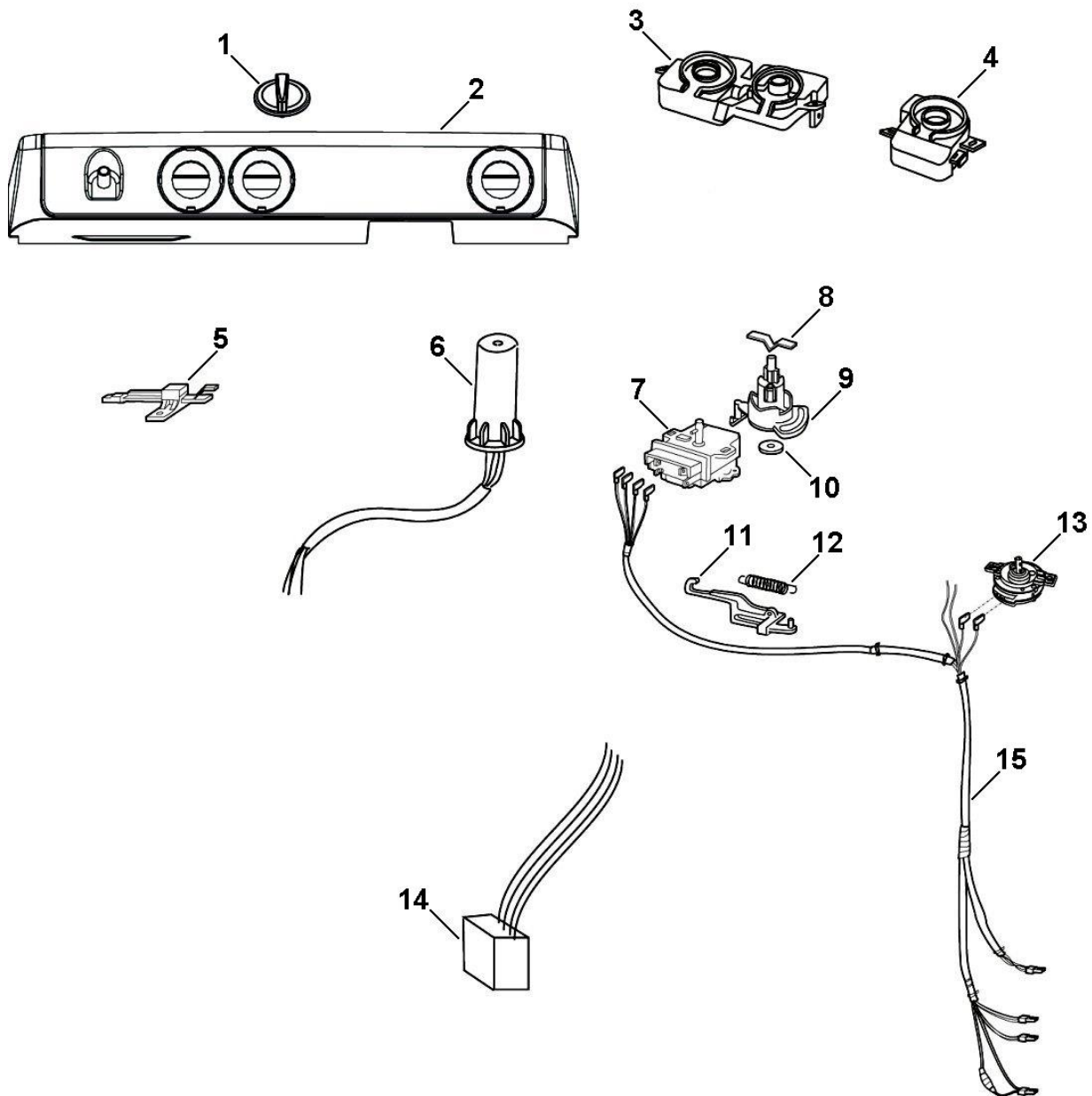
BOWL & DRAIN COMPONENTS



BOWL & DRAIN COMPONENTS

REF	PART	DESCRIPTION
1	H00330603008	SPRING SPIN TUB LID
2	H0030202196	LID WASH TUB XPB60-287S
3	H00330029011	BAND BRAKE PULLBACK 287S
4	H0030202197	LID SPIN TUB XPB60-287S
5	H0030204943A	COVER INNER SPIN TUB
6	H00330901037A	LABEL COVER INNER SPIN TUB
7	H00330101092	GUIDE WATER FILLER
8	H00330503500	SWITCH SAFETY
9	H0030201410	TOP DECK SPIN TUB
10	H0030807934	BRACKET BYPASS CHANNEL
11	H0030804564	FILTER OVERFLOW ASSEMBLY
12	H00330106005A	PROTECTOR BAG
13	H00330057500	BOLT ASSEMBLY PULSATOR
14	H0030203117	AGITATOR PLATE PULSATOR
15	H00330303500	COVER AGITATOR
16	H00330603011	LEVER LOCATING
17	H00330104006	SEAL STRIP LONG
18	H0030203602	FILTER LINT
19	H00330107503	HOSE OVERFLOW B
20	H0030806042	BAND DRAIN PULLBACK
21	H00330113501	INSERT SPIN BASKET GLAND
22	H0030806064	TUB SPIN
23	H0030801621	BEARING SPIN SEAT ASSY
24	H00330107008	HOSE OVERFLOW A
25	H00330012022	VALVE ASSY DRAIN
26	H00330602018A	GUIDE PULLBACK BAND
27	H0030201438	TUB WASH AND SPIN XPB60-287S
28	H00330602019A	CLAMP
29	H00330067500	CLUTCH DAMPING
30	H00330602017	CLAMP DRAIN HOSE
31	H00330107513	HOSE DRAIN
32	H00330107026	PROTECTOR DRAIN HOSE
NI	H0030801995	INLET HOSE COMPONENT

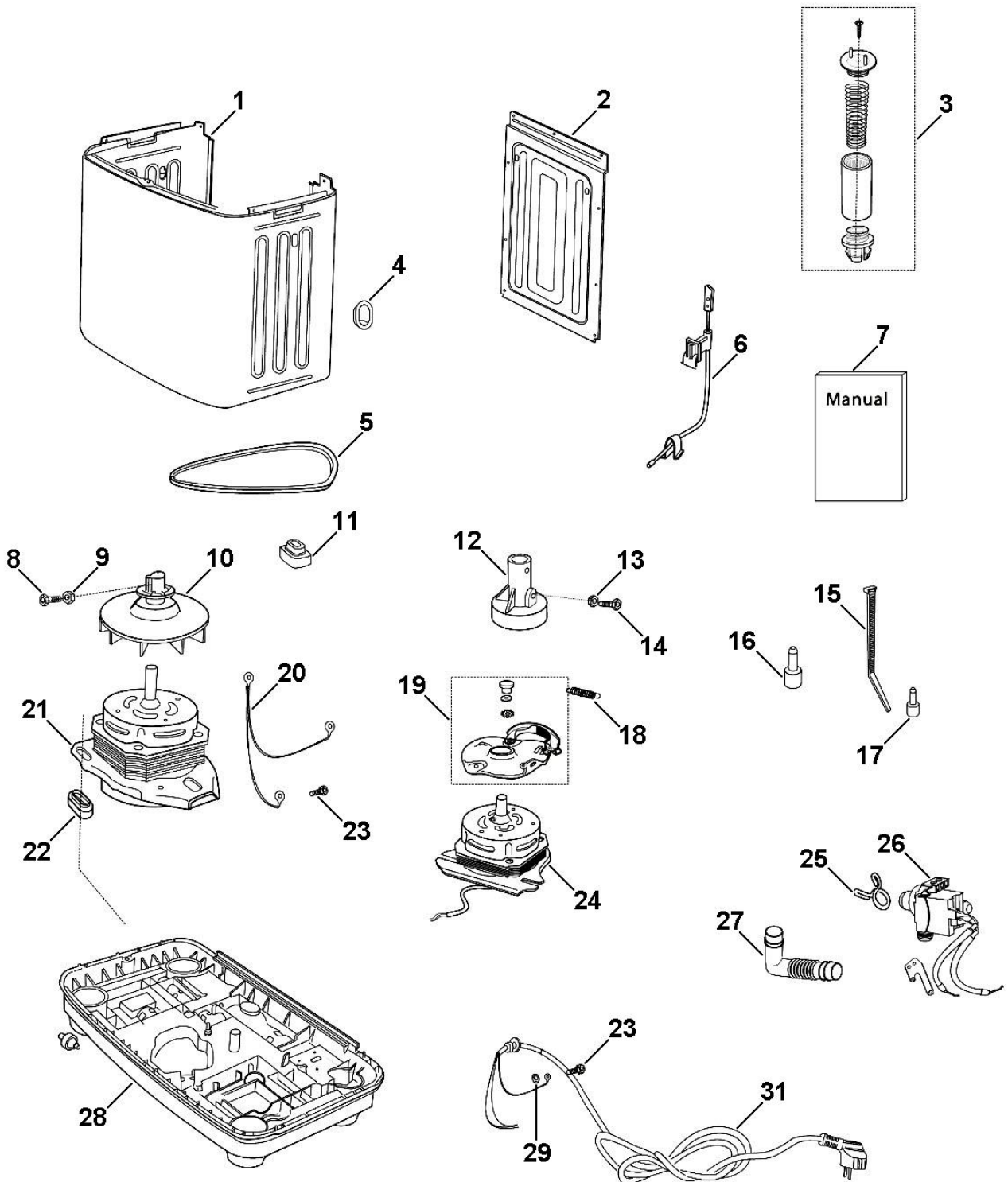
TOP DECK & CONTROL COMPONENTS



TOP DECK & CONTROL COMPONENTS

REF	PART	DESCRIPTION
1	H0030201465B	KNOB XPB60-287S
2	H0030508993	PANEL CONTROL
3	H0030201503	HOUSING TIMER WASHER
4	H0030201502	HOUSING SPIN TIMER
5	H00330503500	SWITCH SAFETY
6	H00330506023	CAPACITOR
7	H0034000717	TIMER WASH
8	H00330312502	SPRING POSITION
9	H00330109018	CAM SELECTOR WASH
10	H00330101096	WASHER GASKET
11	H00330101095	ROD CONNECTING
12	H00330603505	SPRING PULL BACK
13	H00330501013	TIMER SPIN
14	H0034200067	REJECTER
15	H0030400517A	HARNESS

WRAPPER, MOTOR & PUMP COMPONENTS



WRAPPER, MOTOR & PUMP COMPONENTS

REF	PART	DESCRIPTION
1	H0030100964A	WRAPPER
2	H0030100433	COVER REAR
3	H0030805277	DAMPENING ASSEMBLY
4	H00330111535	INSERT DRAIN HOOK
5	H00330011005	BELT V TYPE
6	H0030805610	HINGE SPIN BRAKE
7	H0030809824	MANUAL USE & CARE XPB60-287S
8	H00330812034A	BOLT
9	H00330818001A	NUT
10	H00330401007	PULLEY FAN WASH MOTOR
11	H00330206506	PAD A LOWER WASH MOTOR
12	H00330047007	CAM SPIN BRAKE
13	H00330818001A	NUT
14	H00330812034A	BOLT
15	H00330829001	TIE CABLE LONG
16	H0030205365	BUSH A
17	H0030205313	BUSH B
18	H00330603505	SPRING PULL BACK
19	H00330028012	BRAKE PAN ASSEMBLY
20	H00330502530	HARNESS EARTHING
21	H00330504025	MOTOR WASH
22	H00330206507	BUSH UPPER
23	H00330804001A	SCREW EARTHING
24	H00330504028	MOTOR SPIN
25	H00330605502	CLAMP DRAIN TO PUMP
26	H0034000109	PUMP DRAIN
27	H00330107027	HOSE INNER DRAIN
28	H0030806380	BASE FRAME
29	H00330818003A	NUT EARTHING
30	H00330502573	MAINS CORD