

Parts Manual

Built-in Oven

Model:
OB60SLCX 2 FP AA

Product Code:
80625-A



care

PRODUCT

Brand Fisher & Paykel
Voltage 220-240v 50 Hz
Model OB60SLCX 2 FP AA
Product Code 80625-A

Description
White, switch off timer, Nobel handle, commercial knob, 2 pane door

Fisher & Paykel Appliances Ltd 78 Springs Road East Tamaki PO Box 58-732, Botany Manukau 2163 New Zealand Telephone: 09 273 0600 Facsimile: 09 273 0656	Fisher & Paykel Australia Pty Ltd A.C.N. 003 335 171 19 Enterprise Street P O Box 798 Cleveland, Queensland 4163 Australia Telephone: 07 3826 9100 Facsimile: 07 3826 9164
---	--

CONTENTS

CONTROL PANEL & COMPONENTS	6
CHASSIS ASSEMBLY	8
DOOR ASSEMBLY	10
ELEMENTS AND ACCESSORIES.....	12

GUIDE TO USING THIS MANUAL

The model covered by this manual is listed on the front cover.

The information detailed in this manual is subject to change without notice. The latest version is indicated by the reprint date and replaces any earlier editions.

The front cover picture shows the type of product and may not necessarily be an exact image of the model covered by the manual.

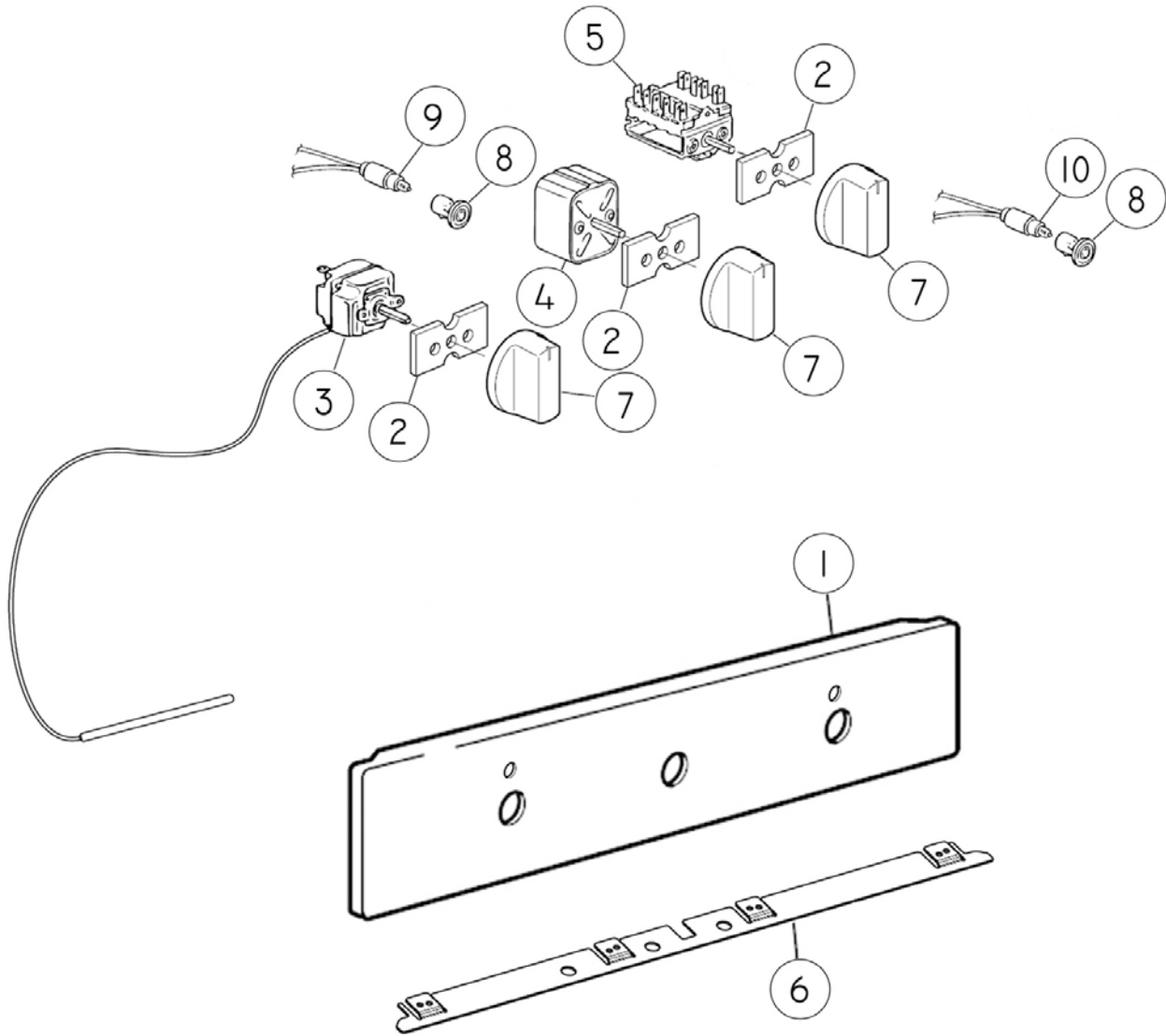
Kit Parts

Kit components are shown in *italics*. Where a part number is shown against the descriptions for these kit components, they are also available as separate items. In addition, some parts may be supplied with these kits that are not available as separate items, and are therefore either not listed, or a part number is not shown against the part description in this manual.

Parts List Key

<i>italics</i>	Kit components or parts included are shown in <i>italics</i> . Refer to above notes: Kit Parts.
NI	As a part reference, indicates the part is not illustrated on the diagram.
NOT USED	As a part number, indicates the diagram part reference is not used in this manual.

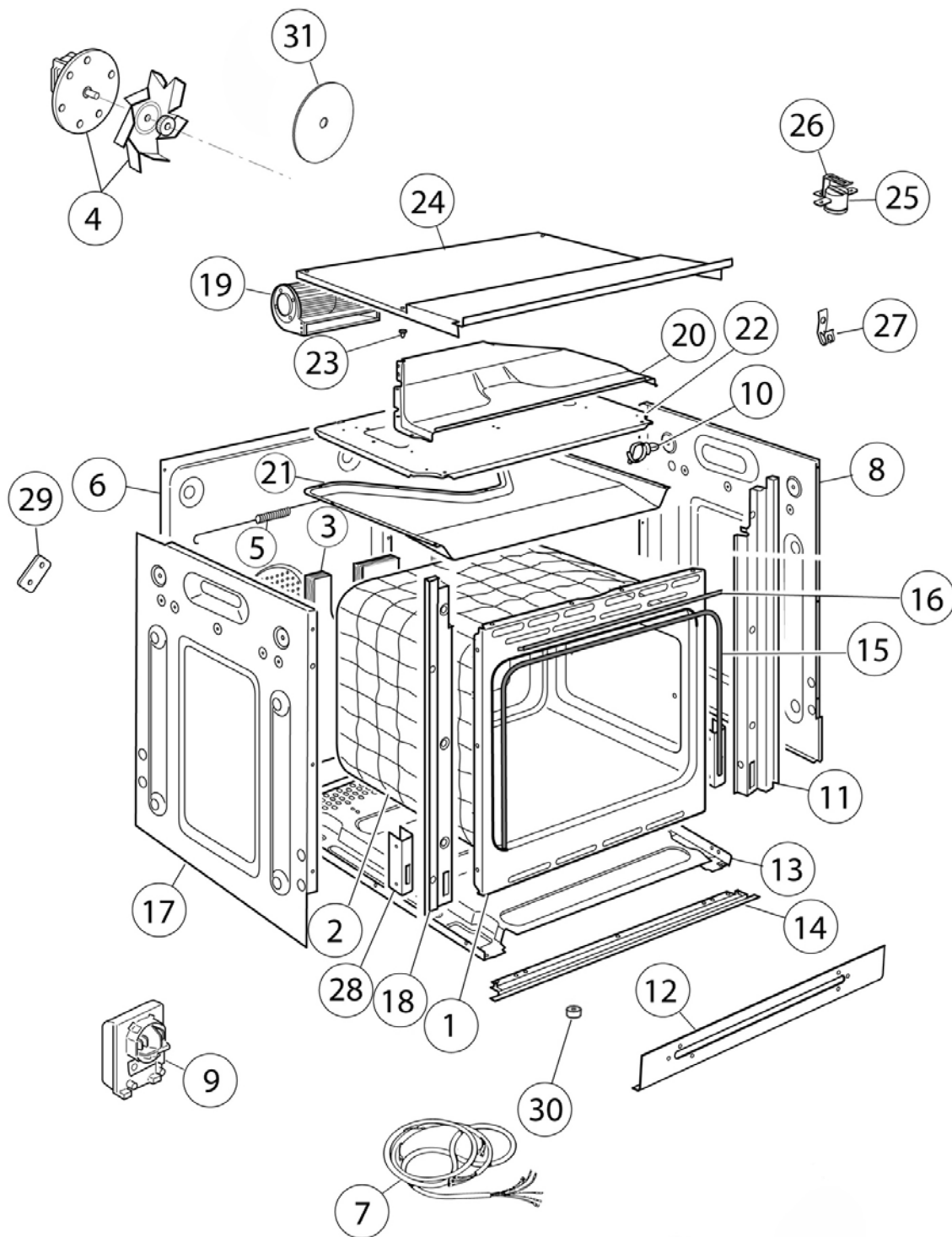
CONTROL PANEL & COMPONENTS



CONTROL PANEL & COMPONENTS

REF	PART	DESCRIPTION
1	574712P	PANEL CNTRL OB60SLRX1 (SP)
2	574210	SPACER PLASTIC 7MM
3	574440	THERMOSTAT EGO 55.17059.240
4	574538	SWITCH TIMER
5	574211	SWITCH FUNCTION (NON MULTI)
6	573950	TRIM DEFLECTOR
7	574713	KNOB COMMERCIAL SILVER
8	574207	BEZEL NEON RED
9	574389	NEON L.230MM 240V EM
10	574390	NEON L.600/230MM 230V EM

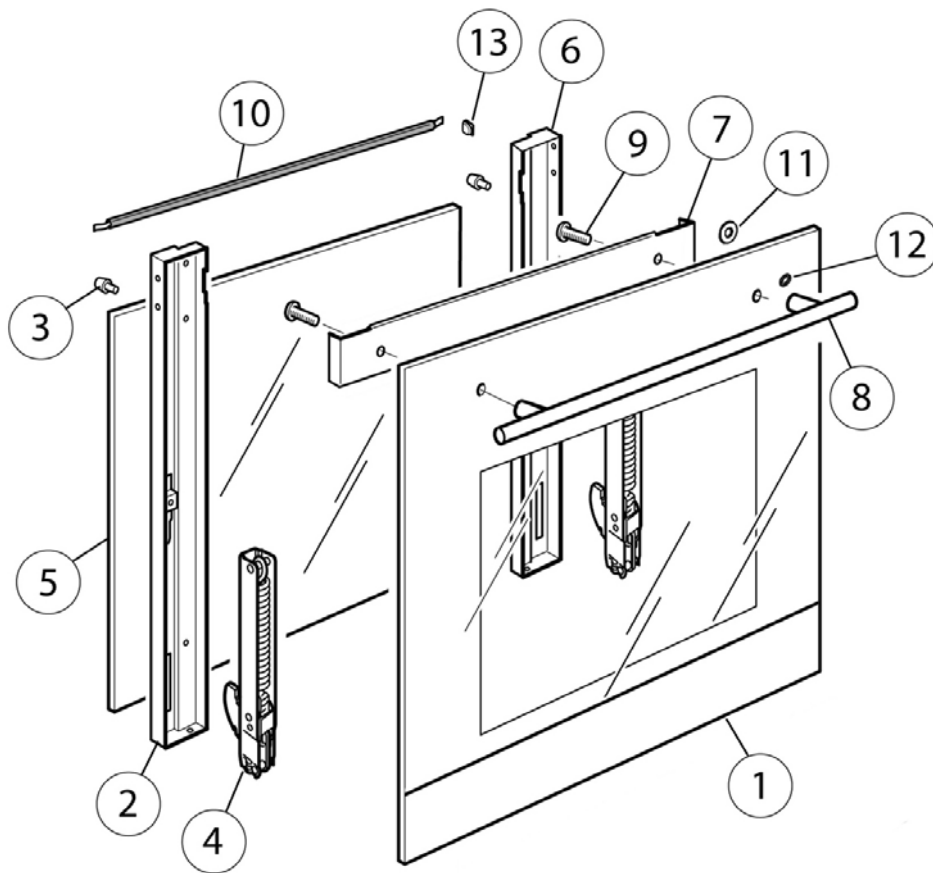
CHASSIS ASSEMBLY



CHASSIS ASSEMBLY

REF	PART	DESCRIPTION
1	575507P	OVEN & FRAME ASSY OB60/OR120
2	574533	INSUL WRAP CLASS B (R)
3	574072	INSUL REAR CLASS B TERMOVER
4	574205P	FAN KITSET OVEN OB60 (E) (SP)
	<i>Includes</i>	<i>FAN MOTOR & MOUNTING</i>
	<i>Includes</i>	<i>FAN BLADE</i>
	<i>Includes</i>	<i>NUT</i>
5	574169	SPRING REAR INSUL SUPPORT
6	574092	PANEL REAR
7	574910	FLEX MAINS
8	574086	PANEL RIGHT SIDE
9	533061	TERMINAL BLOCK
10	574148P	CLIP CABLE STANDOFF (PKT 2)
11	574965	TRIM ASSY OVEN FRONT RH BK
	<i>Includes 574149</i>	<i>BRACKET HINGE SUPPORT</i>
12	574857	BRACKET ELEMENT LOWER
13	574598	PANEL BASE
14	574083	TRIM FRAME LOWER BK
15	574424	GASKET OVEN 53LT (CUT)
16	574063	GASKET FRAME
17	574087	PANEL SIDE LEFT
18	574966	TRIM ASSY OVEN FRONT LH BK
	<i>Includes 574149</i>	<i>BRACKET HINGE SUPPORT</i>
19	574202P	FAN COOLING (E) (SP)
20	574079	PANEL VENTING UPPER
21	574081	PANEL VENTING LOWER
22	574080	PANEL VENTING MIDDLE
23	574145P	GROMMET RUBBER (PKT 10)
24	574215	PANEL TOP
25	574090	LIMITER 120 CAMPINI
26	574132	CLIP LIMITER
27	574214	CLIP THERMST TUBE HINGED ELMNT
28	574149	BRACKET HINGE SUPPORT
29	544281	COVER OVEN REAR CUTOUT
30	574277P	KIT FEET/SCREWS (PKT 4)
	<i>Includes 556636</i>	<i>SCREW ST 7X13 TAB MSH PH ZP</i>
31	574170	INSUL FAN ASY CLASS B TERMOVER

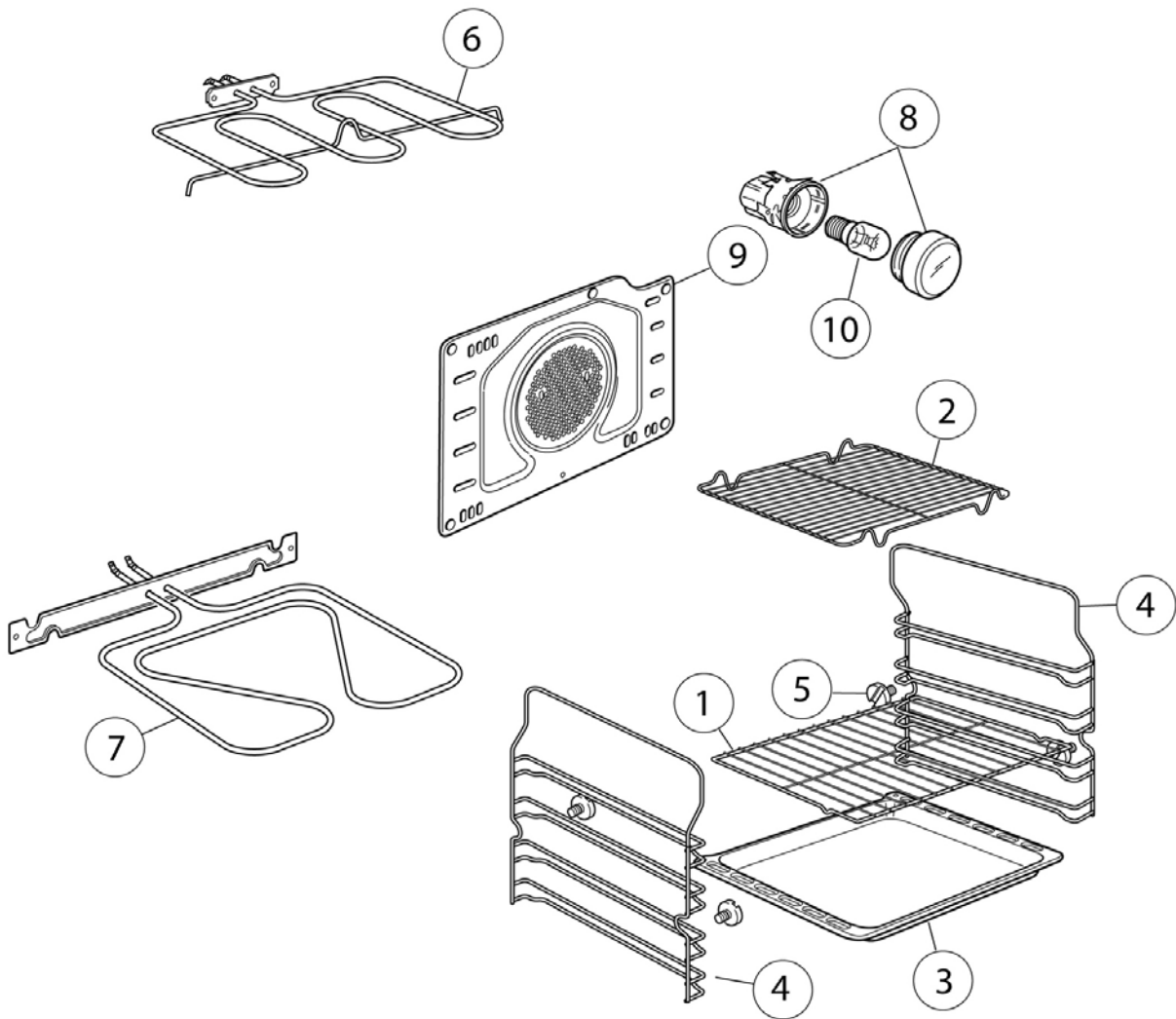
DOOR ASSEMBLY



DOOR ASSEMBLY

REF	PART	DESCRIPTION
1	574860P	GLASS&BRACKET ASSY FULL FP SS
	<i>Includes</i>	<i>BRACKET DOOR LOWER</i>
	<i>Includes</i>	<i>GLASS DOOR FRONT 60 ZW</i>
2	574075P	BRACKET DOOR LH BK
	<i>Includes 574480</i>	<i>GROMMET DOOR BRACKET (4)</i>
3	574145P	GROMMET RUBBER (PKT 12)
4	574528	HINGE DOOR 063107
5	574227P	GLASS DOOR INNER OB60 (SP)
6	574076P	BRACKET DOOR RH BK
	<i>Includes 574480</i>	<i>GROMMET DOOR BRACKET (4)</i>
7	574074	BRACKET DOOR TOP BK
8	574959	HANDLE DOOR SS 60
9	574197P	SCREW HANDLE M5X15 (PKT 2)
10	574124	GASKET DOOR INNER TOP
11	574146P	WASHER 21 11 0.5 SILICONE (PKT 2)
12	574147P	O RING 9X6X2 (PKT 2)
13	574480P	GROMMET DOOR BRACKET (PKT 10)
NI	574479P	NUT SPIRE NO6P (PKT 10)

ELEMENTS AND ACCESSORIES



ELEMENTS AND ACCESSORIES

REF	PART	DESCRIPTION
1	574250	RACK BAKE OB60
2	574786	RACK GRILL OB60
3	574841P	TRAY BAKING ENAM GPHT FPI (SP)
4	574851	RACK SIDE OB60
5	574141P	SCREW SIDE WIRE RACK (PKT 4)
6	574067	ELEMENT TOP ASSY HINGED OB60
7	574158	ELEMENT BAKE ASSY ON60 CLASS B
8	574065P	LAMP ASSY REAR 77.222 (25W) (SP)
	<i>Includes 573235</i>	<i>LAMP FLOODLIGHT 230V 252 SES</i>
9	574870	SHROUD FAN OB60 ENAM GPHT
10	573235	LAMP FLOODLIGHT 230V 252 SES
NI	542061	BOOK SERVICE & WARRANTY
NI	599505	BOOK USR/INSTL 0B60SLRX FP AU