

*Fisher & Paykel*

Warming Drawer  
WB60SDEB1 FP AA

*Product Code: 80806-A*

**Parts Manual**

AA

Brand:	Fisher & Paykel
Voltage:	220-240V, 50H
Model:	WB60SDEB1 FP AA
Product Code:	80806-A

## Model

- The model covered by this manual is listed on the front cover.
- The information detailed in this manual is subject to change without notice. The latest version is indicated by the reprint date and replaces any earlier editions.

## Kit Parts

Kit components are shown in *italics*. Where a part number is shown against the descriptions for these kit components, they are also available as separate items. In addition, some parts may be supplied with these kits that are not available as separate items, and are therefore either not listed, or a part number is not shown against the part description in this manual.

## Parts List Key

<i>italics</i>	Kit components or parts included are shown in italics. Refer to above notes: Kit Parts.
NI	As a part reference, indicates the part is not illustrated on the diagram.
NS	As a part reference indicates this part is not serviceable.
NOT USED	As a part number, indicates the diagram part reference is not used in this manual.

ENCLOSURE & DRAWER ASSEMBLY	3
CONTROLS & ELECTRICAL ASSEMBLY	5

**Fisher & Paykel Appliances Ltd**

PO Box 58-546,  
Greenmount  
78 Springs Rd,  
East Tamaki  
New Zealand

tel: (09) 2730660

fax: (09) 2730580

email: [customer.care@fp.co.nz](mailto:customer.care@fp.co.nz)

**Fisher & Paykel Customer Services Pty Ltd**

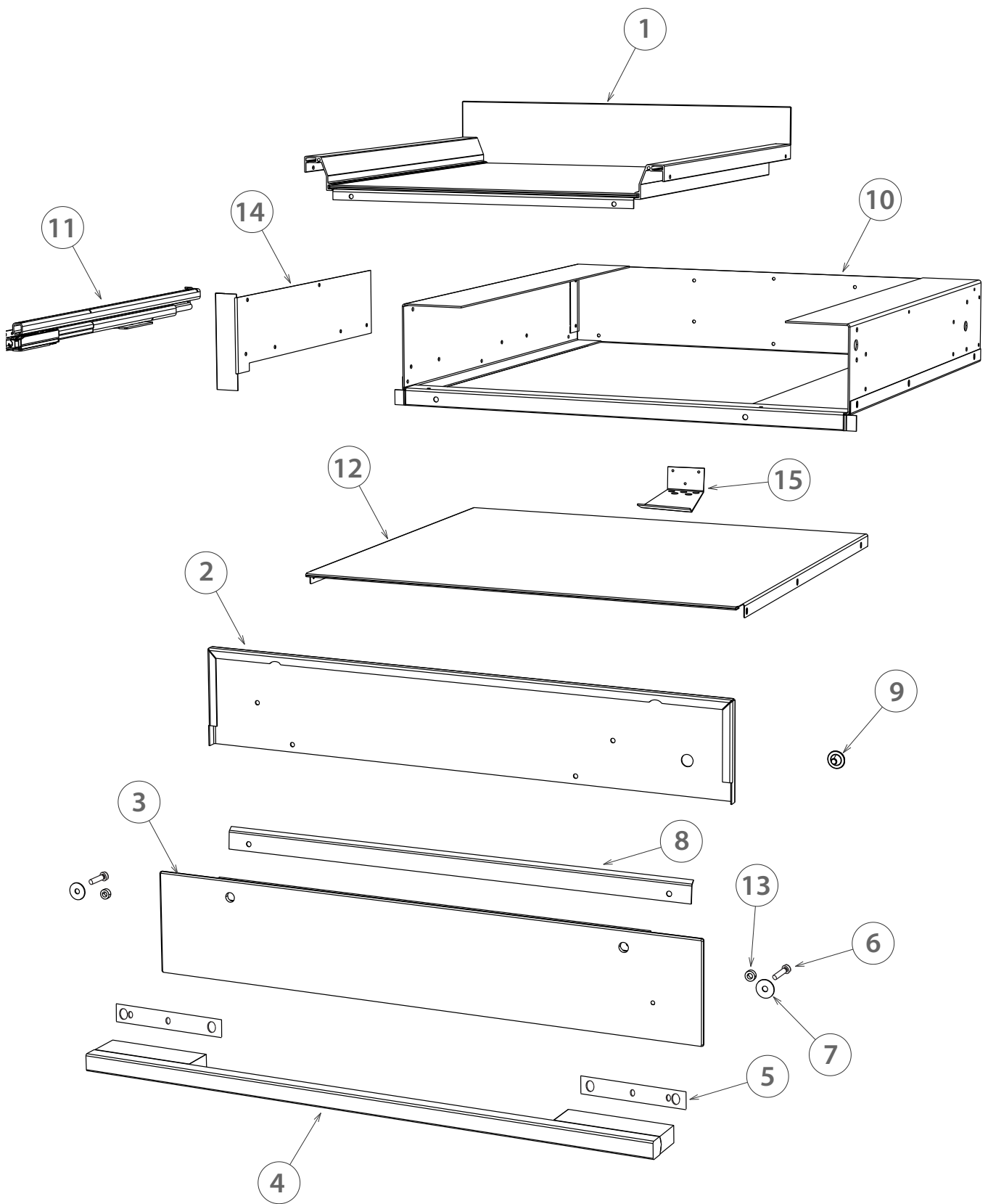
PO Box 798, Cleveland, QLD 4163  
A.C.N. 003 3335 171  
19 Enterprise Street Cleveland,  
QLD 4163  
Australia

tel: (07) 3826 9100

fax: (07) 3826 9164

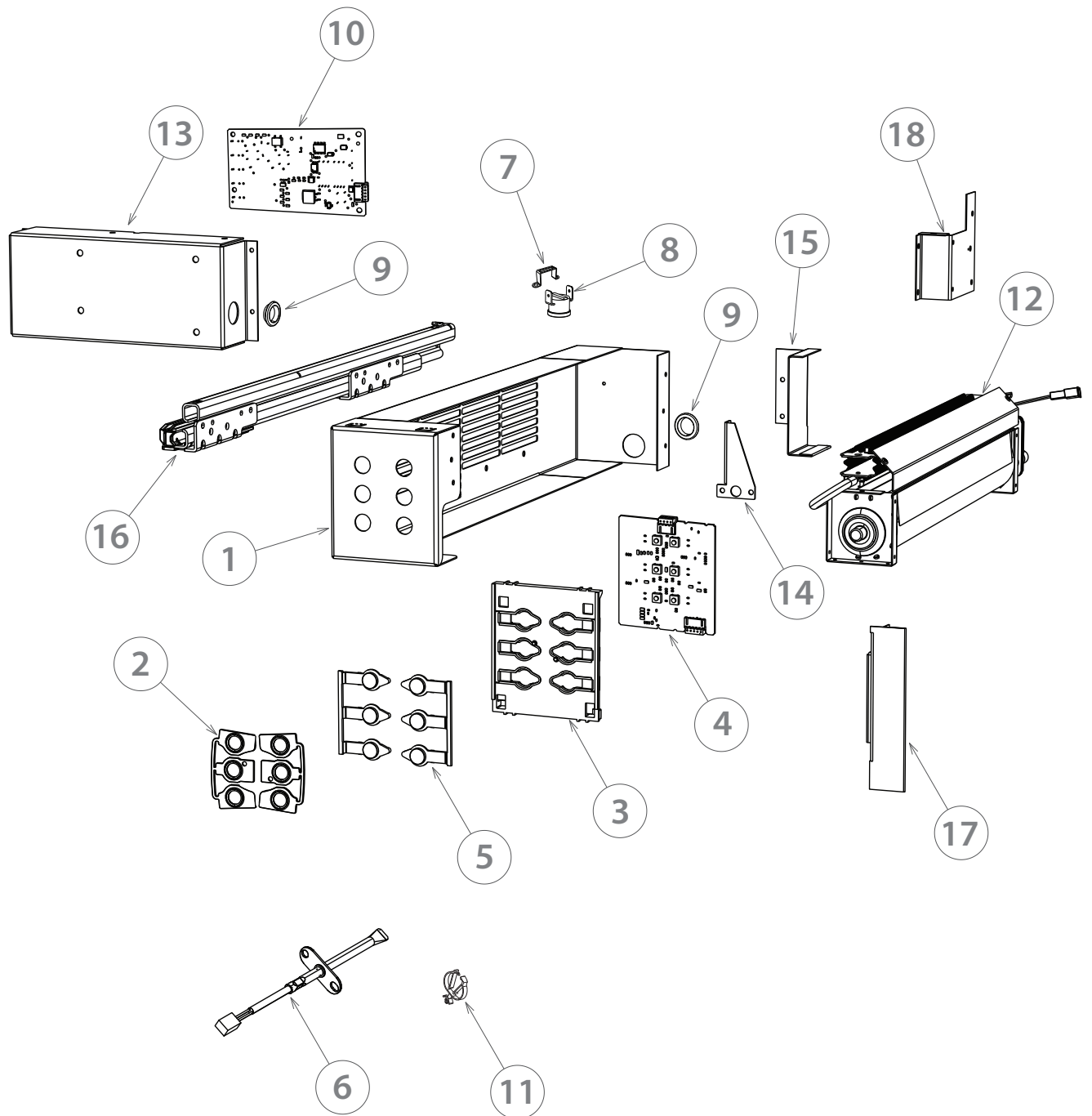
email: [customer.care@fp.com.au](mailto:customer.care@fp.com.au)

3 ENCLOSURE & DRAWER ASSEMBLY



REF.	PART NUMBER	PART DESCRIPTION
<b>1</b>	<b>570026P</b>	<b>DRAWER ASSY GLUED WD60S</b>
	<i>Includes</i>	<i>GLASS DRAWER WD</i>
	<i>Includes</i>	<i>EXTRUSION DRAWER WD</i>
	<i>Includes</i>	<i>REAR FACIA DRAWER WD</i>
	<i>Includes</i>	<i>FRONT BRACKET DRAWER WD</i>
<b>2</b>	<b>570014</b>	<b>FRAME DOOR WD</b>
<b>NI</b>	<b>570064P</b>	<b>SCREW M4X10 TAPTITE PH PN PKT10</b>
<b>NI</b>	<b>570116P</b>	<b>SCREW M4X9 TAPT WAFER PH PKT10</b>
<b>3</b>	<b>570017P</b>	<b>DOOR GLASS FASCIA ASSY WD60S</b>
	<i>Includes</i>	<i>FASCIA GLASS GLUED ASSY</i>
	<i>Includes</i>	<i>EXTRUSION DOOR BASE WD</i>
<b>4</b>	<b>523664</b>	<b>HANDLE D3 565 BRUSHED</b>
<b>5</b>	<b>574177P</b>	<b>GROMMET HANDLE DSNER 100MM PK2</b>
<b>6</b>	<b>542807P</b>	<b>SCREW MC M5X20 PAN PH MS PKT10</b>
<b>7</b>	<b>570075P</b>	<b>WASHER DOOR BRACKET WD (10PK)</b>
<b>8</b>	<b>570015</b>	<b>HANDLE MOUNTING BRACKET WD</b>
<b>9</b>	<b>570011</b>	<b>LIGHTPIPE GLASS WD</b>
<b>10</b>	<b>NS</b>	<b>PANEL ASSY WD60S</b>
<b>11</b>	<b>570021</b>	<b>SLIDE LEFT WD120 HETTICH</b>
<b>NI</b>	<b>546692P</b>	<b>SCREW ST 8X12MM TAB MTS PKT10</b>
<b>12</b>	<b>570030</b>	<b>TOP FRONT FACIA WD</b>
<b>13</b>	<b>570074</b>	<b>GROMMET DOOR GLASS WD</b>
<b>14</b>	<b>570049</b>	<b>TRIM FRONT LEFT SS WD</b>
<b>15</b>	<b>570108</b>	<b>KIT ANTI TIP</b>
<b>NI</b>	<b>570107</b>	<b>KIT RAILS OB2</b>
<b>NI</b>	<b>817825P</b>	<b>SCREW 8X22 WAFER PHIL TV PKD</b>

5 CONTROLS & ELECTRICAL ASSY



REF.	PART NUMBER	PART DESCRIPTION
<b>1</b>	<b>570091</b>	<b>HOUSING CONTROLS WD</b>
<b>NI</b>	<b>546692P</b>	<b>SCREW ST 8X12MM TAB MTS PKT10</b>
<b>2</b>	<b>860539P</b>	<b>KIT BUTTONS/TAPE DISPLAY</b>
	<i>Includes</i>	<i>BUTTONS DISPLAY X 2</i>
	<i>Includes</i>	<i>TAPE 3M 12.75MMX54.8M DBL SIDE X 2</i>
<b>3</b>	<b>570007</b>	<b>HOUSING CONTROL MODULE WD</b>
<b>4</b>	<b>570047P</b>	<b>MODULE DISP WD ROHS SVC</b>
<b>5</b>	<b>860778</b>	<b>BUTTONS DISPLAY ASSY</b>
<b>6</b>	<b>545259</b>	<b>SENSOR OVEN TEMP CYNTEC 3</b>
<b>NI</b>	<b>556003P</b>	<b>SCREW ST 6X3/8 T25 PANPH PKT10</b>
<b>7</b>	<b>574132</b>	<b>CLIP LIMITER</b>
<b>8</b>	<b>550998</b>	<b>LIMITER HIGH RUNAWAY</b>
<b>NI</b>	<b>556003P</b>	<b>SCREW ST 6X3/8 T25 PANPH PKT10</b>
<b>NI</b>	<b>574572</b>	<b>HARNESS TEMP SENSOR</b>
<b>9</b>	<b>570062</b>	<b>EDGE PROTECTOR 19MM</b>
<b>10</b>	<b>570040P</b>	<b>MODULE POWER WD ROHS SVC</b>
<b>NI</b>	<b>570061</b>	<b>PCB STANDOFF 10MM</b>
<b>11</b>	<b>545811P</b>	<b>CLIP CABLE TWIST HOLDER (PKT 5)</b>
<b>12</b>	<b>570071</b>	<b>HEATER BLOWER WD</b>
<b>13</b>	<b>570067</b>	<b>COVER POWER ELECTRONICS</b>
<b>14</b>	<b>570076</b>	<b>BRACKET THERMOSTAT WD</b>
<b>NI</b>	<b>556003P</b>	<b>SCREW ST 6X3/8 T25 PANPH PKT10</b>
<b>NI</b>	<b>570060</b>	<b>WARMING DRAWER HARNESS</b>
<b>NI</b>	<b>534985</b>	<b>KIT SPARES TRMNL BLK-FLEX 2</b>
<b>15</b>	<b>570080</b>	<b>SHIELD FLEX TERMINALS</b>
<b>NI</b>	<b>570064P</b>	<b>SCREW M4X10 TAPTITE PH PN PKT10</b>
<b>16</b>	<b>570022</b>	<b>SLIDE RIGHT WD120 HETTICH</b>
<b>17</b>	<b>570050</b>	<b>TRIM FRONT RIGHT WD</b>
<b>18</b>	<b>570073</b>	<b>TRIM REAR RIGHT SS WD</b>
<b>NI</b>	<b>590450</b>	<b>BOOKSET WARM DRAWER WB60S AA</b>
	<i>Includes</i>	<i>BOOK USR WARMER DRAWER FP AA</i>
	<i>Includes</i>	<i>BOOK INSTL WARM DRAWER FP AA</i>
	<i>Includes</i>	<i>BOOK SERVICE &amp; WARR'TY FP/EL</i>



[www.fisherpaykel.com](http://www.fisherpaykel.com)

***Fisher & Paykel***

Copyright © Fisher & Paykel 2013. All rights reserved.  
The product specifications in this manual apply to the specific model described at the date of issue. Under our policy of continuous product improvement, these specifications may change at any time. Only use this manual if the product code on the front matches the product code on the serial label of the product.