

*Fisher & Paykel*

Warming Drawer  
WB60SDEX1 FP AA

*Product Code: 80970-A*

**Parts Manual**

AA

Brand:	Fisher & Paykel
Voltage:	220-240V, 50H
Model:	WB60SDEX1 FP AA
Product Code:	80970-A

## Model

- The model covered by this manual is listed on the front cover.
- The information detailed in this manual is subject to change without notice. The latest version is indicated by the reprint date and replaces any earlier editions.
- The front cover picture indicates the type of product. It may not be an exact image of the model covered in the manual.

## Kit Parts

Kit components are shown in *italics*. Where a part number is shown against the descriptions for these kit components, they are also available as separate items. In addition, some parts may be supplied with these kits that are not available as separate items, and are therefore either not listed, or a part number is not shown against the part description in this manual.

## Parts List Key

<i>italics</i>	Kit components or parts included are shown in italics. Refer to above notes: Kit Parts.
NI	As a part reference, indicates the part is not illustrated on the diagram.
NS	As a part reference indicates this part is not serviceable.
NOT USED	As a part number, indicates the diagram part reference is not used in this manual.

ENCLOSURE & DRAWER ASSEMBLY	3
CONTROLS & ELECTRICAL ASSEMBLY	5

**Fisher & Paykel Appliances Ltd**

PO Box 58-732,  
Greenmount  
78 Springs Rd,  
East Tamaki  
New Zealand

tel: (09) 2730660  
fax: (09) 2730580  
email: [customer.care@fp.co.nz](mailto:customer.care@fp.co.nz)

**Fisher & Paykel Customer Services Pty Ltd**

PO Box 798, Cleveland, QLD 4163  
A.C.N. 003 3335 171  
19 Enterprise Street Cleveland,  
QLD 4163  
Australia

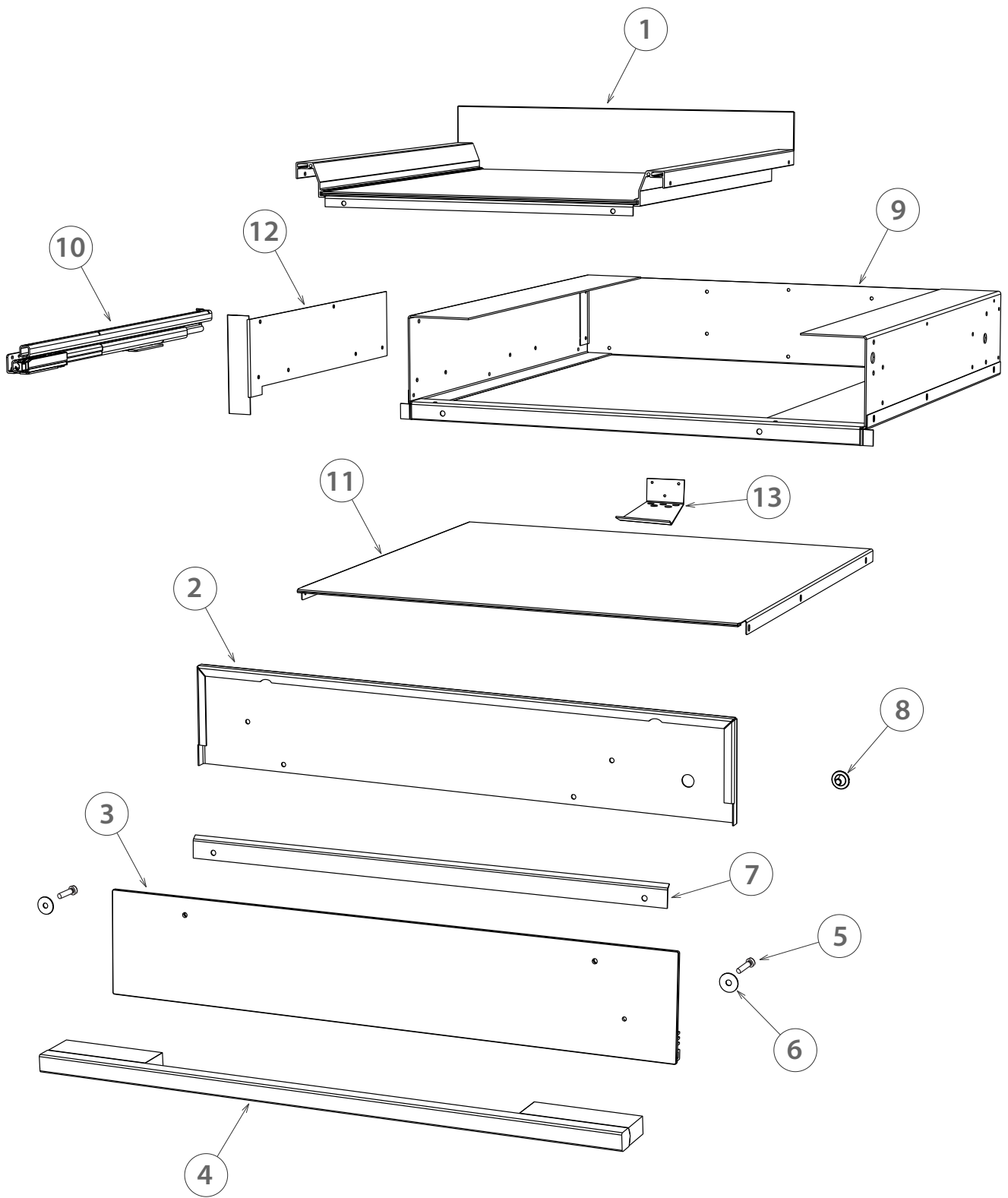
tel: (07) 3826 9100  
fax: (07) 3826 9164  
email: [customer.care@fp.com.au](mailto:customer.care@fp.com.au)

**Fisher & Paykel Appliances Ltd**

Singapore  
150 Ubi Avenue 4  
Sunlight building #02-00  
Singapore 408825

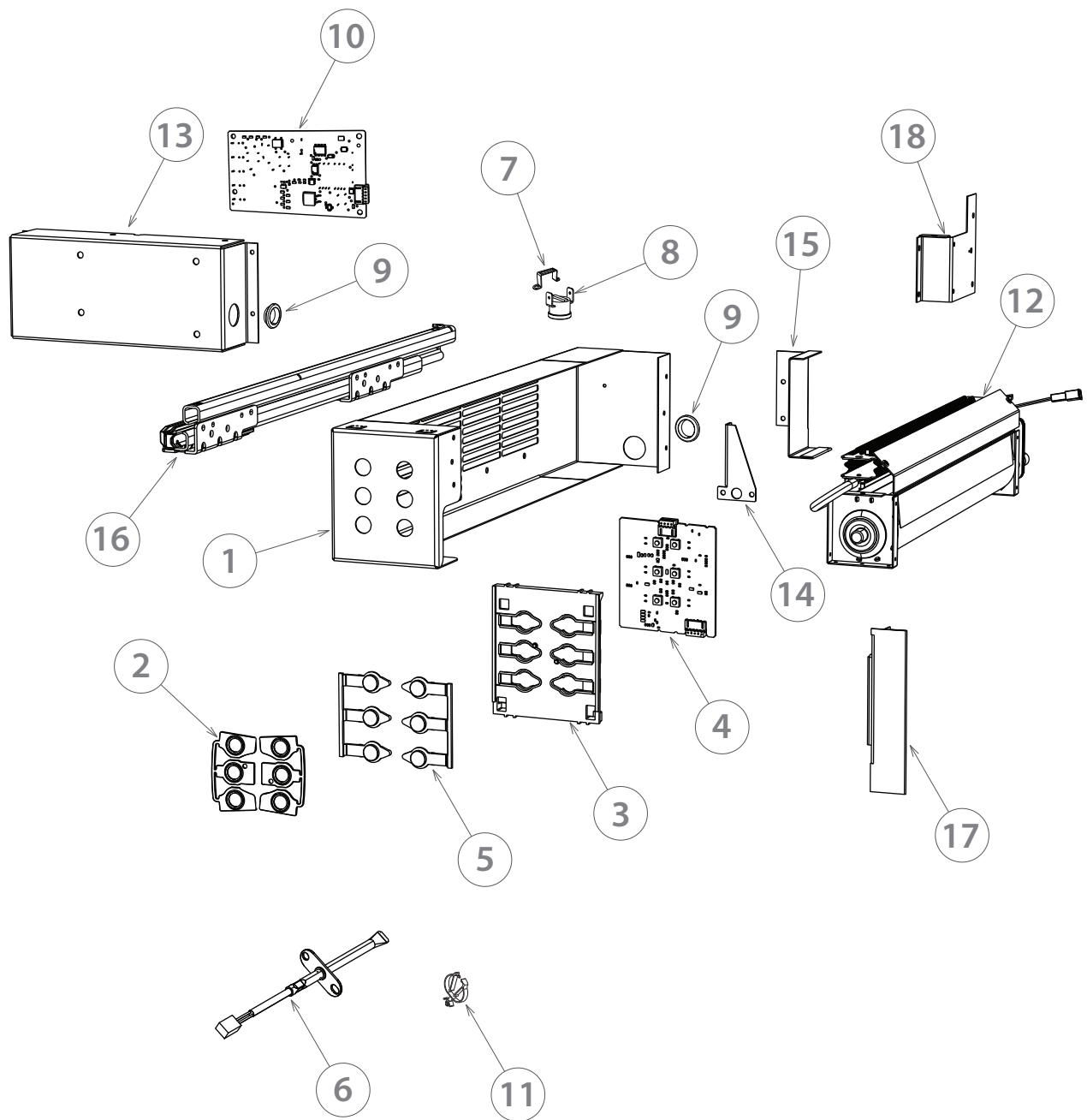
tel: 6547 0100  
service tel: 6741 0777  
fax: 6547 0123

3 ENCLOSURE & DRAWER ASSEMBLY



REF.	PART NUMBER	PART DESCRIPTION
<b>1</b>	<b>570026P</b>	<b>DRAWER ASSY GLUED WD60S</b>
	<i>Includes</i>	<i>GLASS DRAWER WD</i>
	<i>Includes</i>	<i>EXTRUSION WARMER DRAWER WD</i>
	<i>Includes</i>	<i>REAR FACIA DRAWER WD</i>
	<i>Includes</i>	<i>FRONT BRACKET DRAWER WD</i>
<b>2</b>	<b>570014</b>	<b>FRAME DOOR WD</b>
<b>NI</b>	<b>570064P</b>	<b>SCREW M4X10 TAPTITE PH PN PKT10</b>
<b>NI</b>	<b>570116P</b>	<b>SCREW M4X9 TAPT WAFER PH PKT10</b>
<b>3</b>	<b>570085P</b>	<b>DOOR FACIA SS GLUED ASSY</b>
	<i>Includes</i>	<i>SS DOOR CAP WD</i>
	<i>Includes</i>	<i>EXTRUSION DOOR BASE WD</i>
<b>4</b>	<b>523664</b>	<b>HANDLE D3 565 BRUSHED</b>
<b>5</b>	<b>542807P</b>	<b>SCREW MC M5X20 PAN PH MS PKT10</b>
<b>6</b>	<b>570075P</b>	<b>WASHER DOOR BRACKET WD (10PK)</b>
<b>7</b>	<b>570015</b>	<b>HANDLE MOUNTING BRACKET WD</b>
<b>8</b>	<b>570012</b>	<b>LIGHTPIPE SS WD</b>
<b>9</b>	<b>NS</b>	<b>SURROUND STRUCTURE ASSY WD60S</b>
<b>10</b>	<b>570021</b>	<b>SLIDE LEFT WD120 HETTICH</b>
<b>NI</b>	<b>546692P</b>	<b>SCREW ST 8X12MM TAB MTS PKT10</b>
<b>11</b>	<b>570030</b>	<b>TOP FRONT FACIA WD</b>
<b>12</b>	<b>570049</b>	<b>TRIM FRONT LEFT SS WD</b>
<b>13</b>	<b>570108</b>	<b>KIT ANTI TIP</b>
<b>NI</b>	<b>570107</b>	<b>KIT RAILS OB2</b>
<b>NI</b>	<b>817825P</b>	<b>SCREW 8X22 WAFER PHIL TV PKD</b>

5 CONTROLS & ELECTRICAL ASSEMBLY



REF.	PART NUMBER	PART DESCRIPTION
<b>1</b>	<b>570091</b>	<b>HOUSING CONTROLS WD</b>
<b>NI</b>	<b>546692P</b>	<b>SCREW ST 8X12MM TAB MTS PKT10</b>
<b>2</b>	<b>860539P</b>	<b>KIT BUTTONS/TAPE DISPLAY</b>
	<i>Includes</i>	<i>BUTTONS DISPLAY X 2</i>
	<i>Includes</i>	<i>TAPE 3M 12.75MMX54.8M DBL SIDE X 2</i>
<b>3</b>	<b>570007</b>	<b>HOUSING CONTROL MODULE WD</b>
<b>4</b>	<b>570047P</b>	<b>MODULE DISP WD ROHS SVC</b>
<b>5</b>	<b>860778</b>	<b>BUTTONS DISPLAY ASSY</b>
<b>6</b>	<b>545259</b>	<b>SENSOR OVEN TEMP CYNTEC 3</b>
<b>NI</b>	<b>556003P</b>	<b>SCREW ST 6X3/8 T25 PANPH PKT10</b>
<b>7</b>	<b>574132</b>	<b>CLIP LIMITER</b>
<b>8</b>	<b>550998</b>	<b>LIMITER HIGH RUNAWAY</b>
<b>NI</b>	<b>556003P</b>	<b>SCREW ST 6X3/8 T25 PANPH PKT10</b>
<b>NI</b>	<b>574572</b>	<b>HARNESS SENSOR TEMP</b>
<b>9</b>	<b>570062</b>	<b>EDGE PROTECTOR 19MM</b>
<b>NI</b>	<b>570111P</b>	<b>WASHER M4 304SS ADHSV (PKT10)</b>
<b>10</b>	<b>570040P</b>	<b>MODULE POWER WD ROHS SVC</b>
<b>NI</b>	<b>570061</b>	<b>PCB STANDOFF 10MM</b>
<b>11</b>	<b>545811P</b>	<b>CLIP CABLE TWIST HOLDER (PKT 5)</b>
<b>12</b>	<b>570071</b>	<b>HEATER BLOWER WD</b>
<b>13</b>	<b>570067</b>	<b>COVER POWER ELECTRONICS</b>
<b>14</b>	<b>570076</b>	<b>BRACKET THERMOSTAT WD</b>
<b>NI</b>	<b>556003P</b>	<b>SCREW ST 6X3/8 T25 PANPH PKT10</b>
<b>NI</b>	<b>570060</b>	<b>WARMING DRAWER HARNESS</b>
<b>NI</b>	<b>534900</b>	<b>TRML BLOCK-FLEX ASSY NZ AU</b>
<b>15</b>	<b>570080</b>	<b>SHIELD FLEX TERMINALS</b>
<b>NI</b>	<b>570064P</b>	<b>SCREW M4X10 TAPTITE PH PN PKT10</b>
<b>16</b>	<b>570022</b>	<b>SLIDE RIGHT WD120 HETTICH</b>
<b>NI</b>	<b>546692P</b>	<b>SCREW ST 8X12MM TAB MTS PKT10</b>
<b>NI</b>	<b>570111P</b>	<b>WASHER M4 304SS ADHSV (PKT10)</b>
<b>17</b>	<b>570050</b>	<b>TRIM FRONT RIGHT WD</b>
<b>18</b>	<b>570073</b>	<b>TRIM REAR RIGHT SS WD</b>
<b>NI</b>	<b>590450</b>	<b>BOOKSET WARM DRAWER WB60S AA</b>
	<i>Includes</i>	<i>BOOK USR WARMER DRAWER FP AA</i>
	<i>Includes</i>	<i>BOOK INSTL WARM DRAWER FP AA</i>
	<i>Includes</i>	<i>BOOK SERVICE &amp; WARR'TY FP/EL</i>

[www.fisherpaykel.com](http://www.fisherpaykel.com)

***Fisher & Paykel***

Copyright © Fisher & Paykel 2015. All rights reserved.  
The product specifications in this manual apply to the specific model described at the date of issue. Under our policy of continuous product improvement, these specifications may change at any time. Only use this manual if the product code on the front matches the product code on the serial label of the product.