

# **FISHER & PAYKEL**

## **WARMING DRAWER**

---

**WB60SDEX2 FP AA**

**PRODUCT CODE: 82107-A**

**PARTS MANUAL**

**AA**

# INTRODUCTION

---

BRAND	VOLTAGE	MODEL	PRODUCT CODE
Fisher & Paykel	220/240 VAC 50Hz	WB60SDEX2 FP AA	82107-A

---

## MODELS

The models covered by this manual are listed on the front cover. The information detailed in this manual is subject to change without notice. The latest version is indicated by the reprint date and replaces any earlier editions.

## KIT PARTS

Where a part number is shown against the descriptions for these kit components, they are also available as separate items. In addition, some parts may be supplied with these kits that are not available as separate items, and are therefore either not listed, or a part number is not shown against the part description in this manual.

## PARTS LIST KEY

<b>NI</b>	As a part reference, indicates the part is not illustrated on the diagram.
<b>NOT USED</b>	As a part number, indicates the diagram part reference is not used in this manual.
<b>NS</b>	As a part number, indicates the part is not servicable.

---

### NZ

Fisher & Paykel Appliances Ltd  
PO Box 58-732  
Botany  
78 Springs Rd  
East Tamaki  
Manukau 2163  
New Zealand

tel: (09) 2730660  
fax: (09) 2730580  
email: customer.care@fp.co.nz

### AU

Fisher & Paykel Customer Services Pty  
Ltd  
PO Box 798, Cleveland, QLD 4163  
A.C.N. 003 3335 171  
19 Enterprise Street Cleveland,  
QLD 4163  
Australia

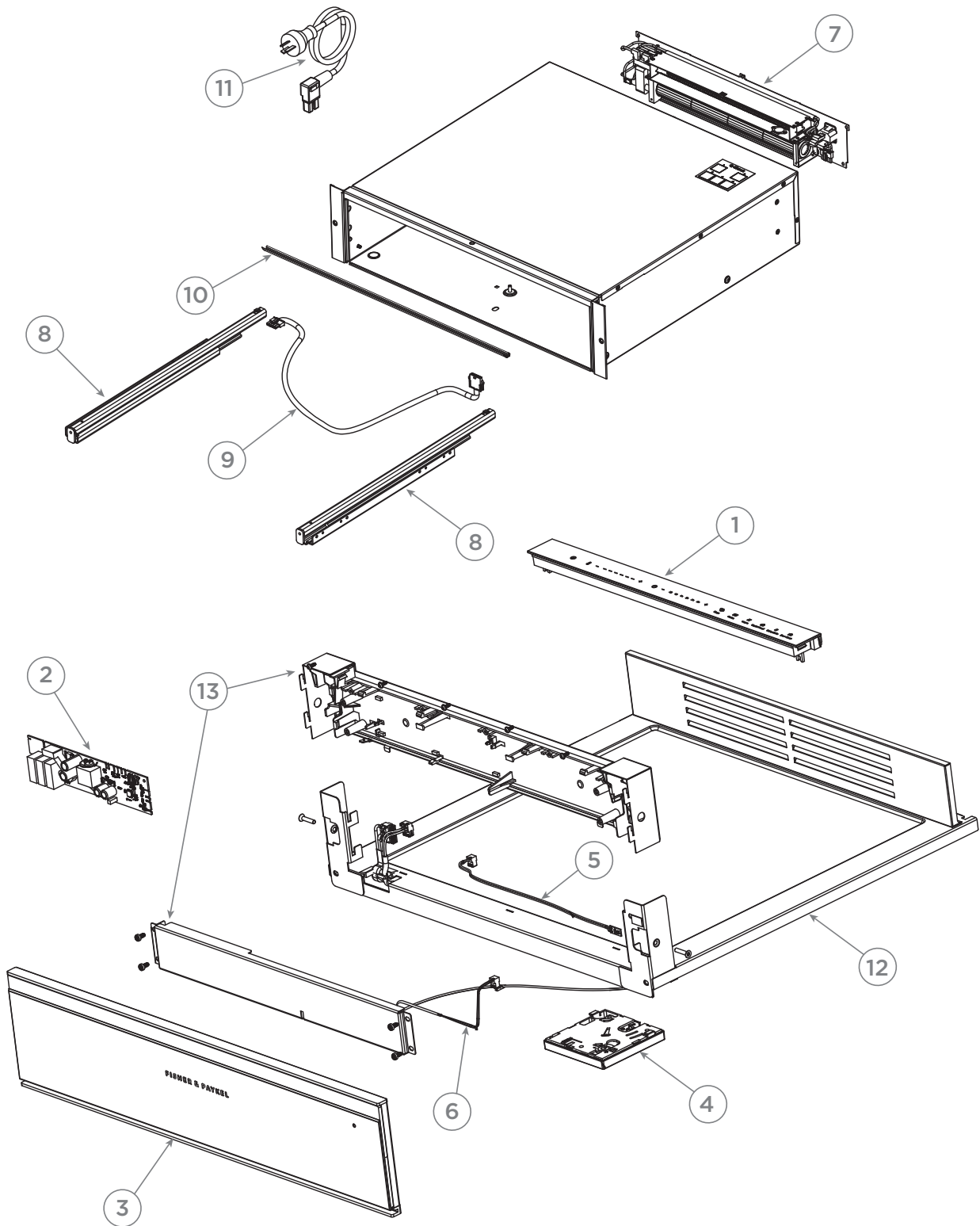
tel: (07) 3826 9100  
fax: (07) 3826 9164  
email: customer.care@fp.com.au

# CONTENTS

---

Introduction	1
Warming drawer components	3

# WARMING DRAWER COMPONENTS



## WARMING DRAWER COMPONENTS

REFERENCE	PART NUMBER	PART DESCRIPTION
1	793072	CONTROL TOUCH PANEL
2	793074	POWER BOARD 24/60
3	793055	PANEL FRONT 24/60 140 FP SS
4	793049	MECHANISM PUSH/PULL
5	793061	CABLE LED
6	793070	TEMPERATURE SENSOR SHORT
7	793051	HEATING UNIT C14 220-240V
8	793052	KIT SLIDERS
9	793069	HARNESS CABLE 760MM
10	793054	SEAL DRAWER P&P
11	793065	POWER CORD AA
12	793158	DRAWER 140 FPA 220-240V
13	793152	FRAME CONTROL PANEL 140
NI	591996	BK UG WB60SD NZ AU UK IE SG
NI	592134	BK INSTL WB60SD NZ AU UK IE SG

© Fisher & Paykel Appliances Ltd 2020. All rights reserved.

The product specifications in this document apply to the specific products and models described at the date of issue. Under our policy of continuous product improvement, these specifications may change at any time. You should therefore check with your Dealer to ensure this document correctly describes the product currently available.

For current details about model and specification availability in your country, go to our website [fisherpaykel.com](http://fisherpaykel.com) or contact your local Fisher & Paykel dealer

**PRODUCT CODE: 82107-A 09.20**