

FISHER & PAYKEL

WARMING DRAWER

WB60SDEB2 FP AA

PRODUCT CODE: 82108-A

PARTS MANUAL

AA

INTRODUCTION

| BRAND | VOLTAGE | MODEL | PRODUCT CODE |
|-----------------|------------------|-----------------|--------------|
| Fisher & Paykel | 220/240 VAC 50Hz | WB60SDEB2 FP AA | 82108-A |

MODELS

The models covered by this manual are listed on the front cover. The information detailed in this manual is subject to change without notice. The latest version is indicated by the reprint date and replaces any earlier editions.

KIT PARTS

Where a part number is shown against the descriptions for these kit components, they are also available as separate items. In addition, some parts may be supplied with these kits that are not available as separate items, and are therefore either not listed, or a part number is not shown against the part description in this manual.

PARTS LIST KEY

| | |
|-----------------|--|
| NI | As a part reference, indicates the part is not illustrated on the diagram. |
| NOT USED | As a part number, indicates the diagram part reference is not used in this manual. |
| NS | As a part number, indicates the part is not servicable. |

NZ

Fisher & Paykel Appliances Ltd
PO Box 58-732
Botany
78 Springs Rd
East Tamaki
Manukau 2163
New Zealand

tel: (09) 2730660
fax: (09) 2730580
email: customer.care@fp.co.nz

AU

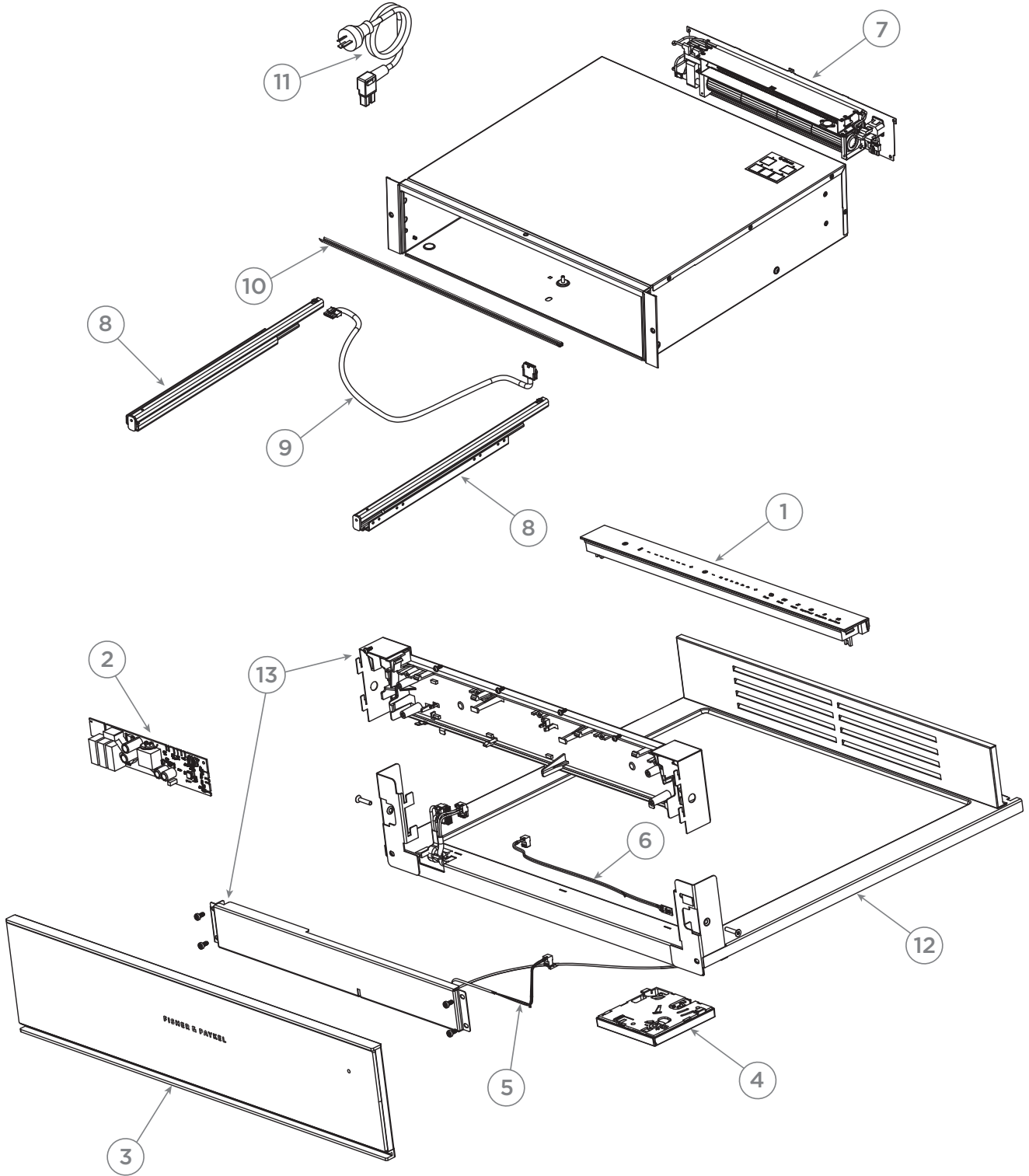
Fisher & Paykel Customer Services Pty
Ltd
PO Box 798, Cleveland, QLD 4163
A.C.N. 003 3335 171
19 Enterprise Street Cleveland,
QLD 4163
Australia

tel: (07) 3826 9100
fax: (07) 3826 9164
email: customer.care@fp.com.au

CONTENTS

| | |
|---------------------------|---|
| Introduction | 1 |
| Warming drawer components | 3 |

WARMING DRAWER COMPONENTS



WARMING DRAWER COMPONENTS

| REFERENCE | PART NUMBER | PART DESCRIPTION |
|-----------|-------------|--------------------------------|
| 1 | 793072 | CONTROL TOUCH PANEL |
| 2 | 793074 | POWER BOARD 24/60 |
| 3 | 793060 | PANEL FRONT 24/60 140 FP BK |
| 4 | 793049 | MECHANISM PUSH/PULL |
| 5 | 793061 | CABLE LED |
| 6 | 793070 | TEMPERATURE SENSOR SHORT |
| 7 | 793051 | HEATING UNIT C14 220-240V |
| 8 | 793052 | KIT SLIDERS |
| 9 | 793069 | HARNESS CABLE 760MM |
| 10 | 793054 | SEAL DRAWER P&P |
| 11 | 793065 | POWER CORD AA |
| 12 | 793158 | DRAWER 140 FPA 220-240V |
| 13 | 793152 | FRAME CONTROL PANEL 140 |
| NI | 591996 | BK UG WB60SD NZ AU UK IE SG |
| NI | 592134 | BK INSTL WB60SD NZ AU UK IE SG |

© Fisher & Paykel Appliances Ltd 2020. All rights reserved.

The product specifications in this document apply to the specific products and models described at the date of issue. Under our policy of continuous product improvement, these specifications may change at any time. You should therefore check with your Dealer to ensure this document correctly describes the product currently available.

For current details about model and specification availability in your country, go to our website fisherpaykel.com or contact your local Fisher & Paykel dealer

PRODUCT CODE: 82108-A 09.20