

**Fisher & Paykel**  
appliances

customer **care**<sup>™</sup>

# Parts Manual Aquasmart<sup>®</sup> Washer

**Model:**

WL80T65DW 1 FP NZ

**Product Code:**

92118-B



care

**92118-B**



## PRODUCT

**Brand** Fisher & Paykel  
**Voltage** 220-240V 50Hz  
**Model** WL80T65DW 1 FP NZ  
**Product Code** 92118-B

**Fisher & Paykel Appliances Ltd**  
78 Springs Road,  
East Tamaki,  
PO Box 58-732, Greenmount,  
Auckland,  
New Zealand  
Telephone: 09 273 0600  
Facsimile: 09 273 0656  
Email: [customer.care@fp.co.nz](mailto:customer.care@fp.co.nz)

COPYRIGHT © FISHER & PAYKEL LTD 2010 - ALL RIGHTS RESERVED



## CONTENTS

TOP DECK AND ELECTRONICS.....	6
WRAPPER CABINET.....	10
AGITATOR AND HOSES.....	12
INNER & OUTER BOWLS AND DRAIN PUMP .....	14
MOTOR.....	16

### GUIDE TO USING THIS MANUAL

The model covered by this manual is listed on the front cover.

The information detailed in this manual is subject to change without notice. The latest version is indicated by the reprint date and replaces any earlier editions.

The front cover picture shows the type of product and may not necessarily be an exact image of the model covered by the manual.

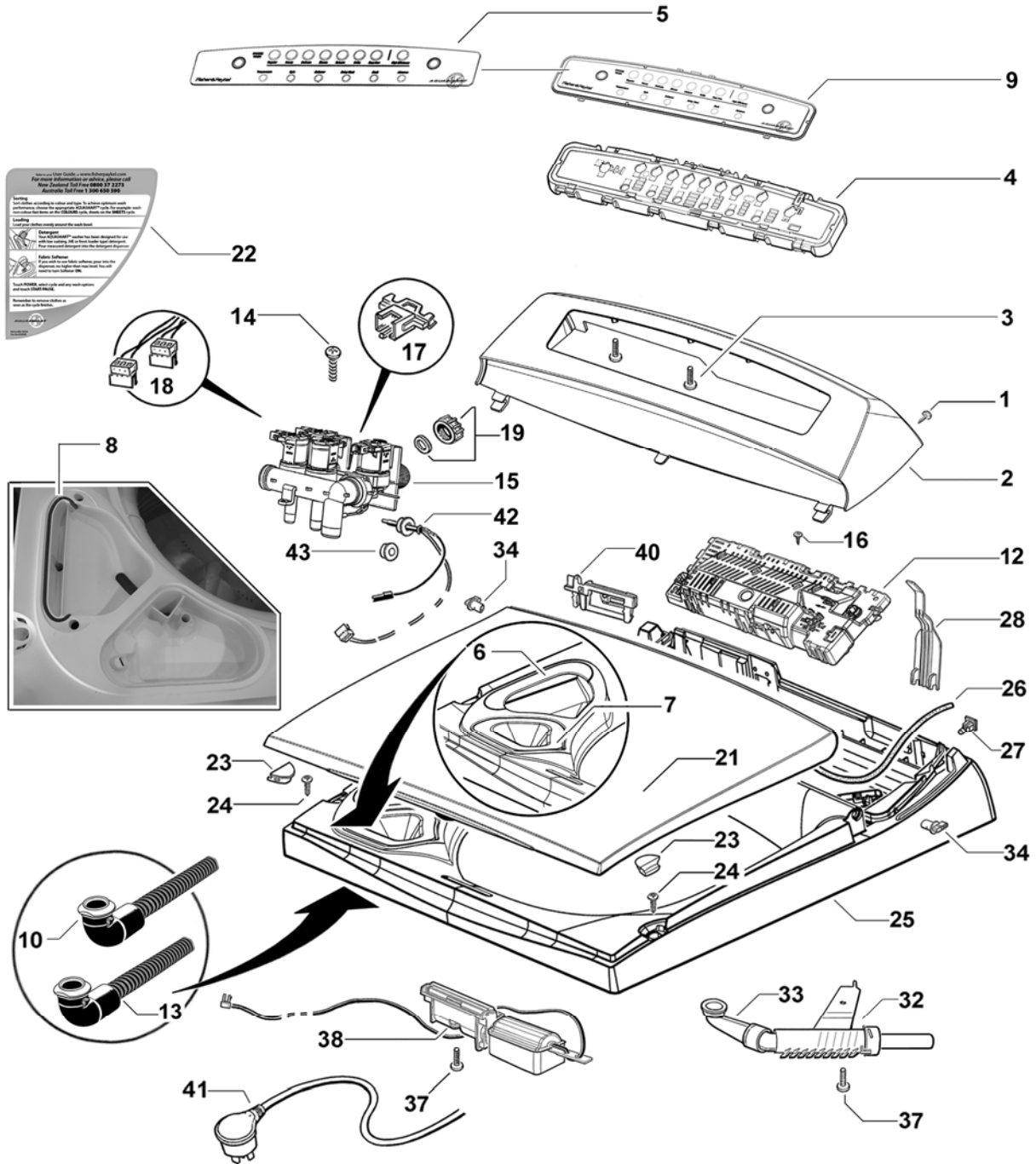
### Kit Parts

Kit components are shown in *italics*. Where a part number is shown against the descriptions for these kit components, they are also available as separate items. In addition, some parts may be supplied with these kits that are not available as separate items, and are therefore either not listed, or a part number is not shown against the part description in this manual.

### Parts List Key

<i>italics</i>	Kit components or parts included are shown in <i>italics</i> . Refer to above notes: Kit Parts.
NI	As a part reference, indicates the part is not illustrated on the diagram.
NOT USED	As a part number, indicates the diagram part reference is not used in this manual.

# TOP DECK AND ELECTRONICS



For more information or advice, please call  
 New Zealand Toll Free 0800 55 2222  
 Australia Toll Free 1 800 650 390

**Warning:**  
 This product is not to be used for any purpose other than that intended for its use. Do not use for any other purpose.

**Caution:**  
 Do not use for any purpose other than that intended for its use. Do not use for any other purpose.

**Notes:**  
 1. This product is not to be used for any purpose other than that intended for its use. Do not use for any other purpose.

## TOP DECK AND ELECTRONICS

REF	PART	DESCRIPTION
1	611933P	SCREW ST 8X5/8 TA MTS PH ZNPL (PKT 10)
2	420957P	CONSOLE L SD IMD
3	611805P	SCREW ST 8X16 PLASTITE PAN PH (PKT 10)
4	421614P	MODULE DISPLAY AQS H LED BLH SVC
5	421079	PANEL TOUCH AQS LED
6	421047	COVER DETERGENT FLUSHER KIT
	<i>Includes</i>	<i>GASKET DISPENSER DIA 3.0MM X155MM</i>
7	420912P	FUNNEL FABRIC SOFTENER
8		GASKET PART OF COVER DETERGENT FLUSHER KIT
9	421082	FASCIA DISPLAY AQS LED
10	421015P	HOSE DISP. DETERGENT CREAM
12	421232NAP	MODULE MC AQS H 230V SVC NZ & AU
13	420938P	HOSE DISP. SOFTENER GREY
14	611986P	SCREW ST 8X20MM HILO (PKT 10)
15	421175P	VALVE INLET DISP LOW PRESSURE VERSION 3 NZ/AU
	<i>Includes</i>	<i>CLIP RETAINING RAST CONNECTOR WHITE (2)</i>
	<i>Includes</i>	<i>CLIP RETAINING RAST CONNECTOR YELLOW (1)</i>
	<i>Includes</i>	<i>CLIP RETAINING RAST CONNECTOR PURPLE (1)</i>
	<i>Includes</i>	<i>CLIP RETAINING RAST CONNECTOR RED (1)</i>
	<i>Includes</i>	<i>THERMISTOR ASSY EPCOS</i>
	<i>Includes</i>	<i>GROMMET THERMISTOR 4MM</i>
16	611986P	SCREW ST 8X20MM HILO PAN PH
17	421049P	CLIP RETAINING RAST VALVE DISPENSING KIT
	<i>Includes</i>	<i>CLIP RETAINING RAST CONNECTOR WHITE (2)</i>
	<i>Includes</i>	<i>CLIP RETAINING RAST CONNECTOR YELLOW (1)</i>
	<i>Includes</i>	<i>CLIP RETAINING RAST CONNECTOR PURPLE (1)</i>
	<i>Includes</i>	<i>CLIP RETAINING RAST CONNECTOR RED (1)</i>
	<i>Includes</i>	<i>INSTRUCTION LEAFLET</i>
18	420963	HARNESS DISPENSING INLET VALVE
19	388491P	CAP VALVE BLANKING
	<i>Includes 420017</i>	<i>CONNECTOR SEAL VALVE CAP</i>
21	478070P	LID L13 WH PKD
22	420993	LABEL LID AQUASMART
23	426793P	BUFFER LID SD11 (PKT 2)
24	611812P	SCREW ST 10X5/8 MSH PAN PH SS430 (PKT 10)

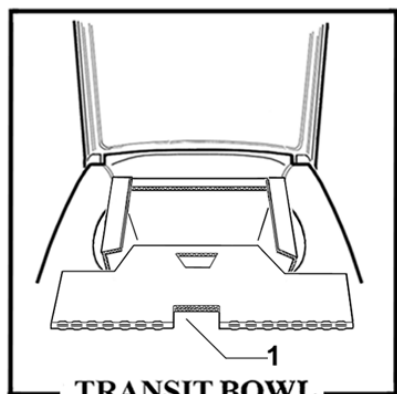
Continued next page



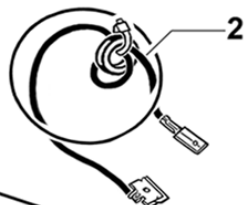
## TOP DECK AND ELECTRONICS

REF	PART	DESCRIPTION
25	421046P	TOP DECK DISPENSING LARGE ASSY
	<i>Includes</i>	TOP DECK MOULDING
	<i>Includes</i>	COVER DETERGENT FLUSHER
	<i>Includes</i>	GASKET DISPENSER DIA 3.0MM
	<i>Includes</i> 420738	CLAMP HARNESS TOP DECK
	<i>Includes</i> 420912	FUNNEL FABRIC SOFTENER
	<i>Includes</i> 420938	HOSE DISP. SOFTENER GREY
	<i>Includes</i> 421004	BUNG DISPENSER TOP DECK (2)
	<i>Includes</i> 421015	HOSE DISP. DETERGENT CREAM
	<i>Includes</i> 422402	NUT SNAP IN SPIRE P0071/05/01/00 (2)
	<i>Includes</i> 426825	HINGE LID SD11 (2)
26	426273P	GASKET CONSOLE FOAM CUT
27	422402P	NUT SNAP IN SPIRE P0071/05/01/00
28	420133P	COVER WIRING TOPDECK SD11
32	420833P	NOZZLE SPRAY FILL ASSY
	<i>Includes</i>	CAP NOZZLE SPRAY FILL
	<i>Includes</i>	NOZZLE SPRAY FILL
	<i>Includes</i>	PISTON NOZZLE SPRAY FILL
	<i>Includes</i>	SPRING FILL NOZZLE
33	425974P	ELBOW NOZZLE SD3
34	426825P	HINGE LID SD11 (PKT 2)
37	611811P	SCREW ST 8X1/2 PAN PH PLASTITE SS (PKT 10)
38	420700P	LIDLOCK ASSEMBLY SD14
40	420738P	CLAMP HARNESS TOP DECK
41	420826	CORD SET SD AA STRAIN RELIEF
42	479452P	KIT EPCOS THERMISTOR & GROMMET UL
	<i>Includes</i>	THERMISTOR ASSY EPCOS UL
	<i>Includes</i>	GROMMET THERMISTOR 4MM
	<i>Includes</i>	LEAFLET INSTRUCTION THERMISTOR EPCOS
43	479455P	KIT GROMMET THERMISTOR SS
	<i>Includes</i>	GROMMET THERMISTOR 4MM
	<i>Includes</i>	LEAFLET INSTRUCTION GROMMET THERMISTOR

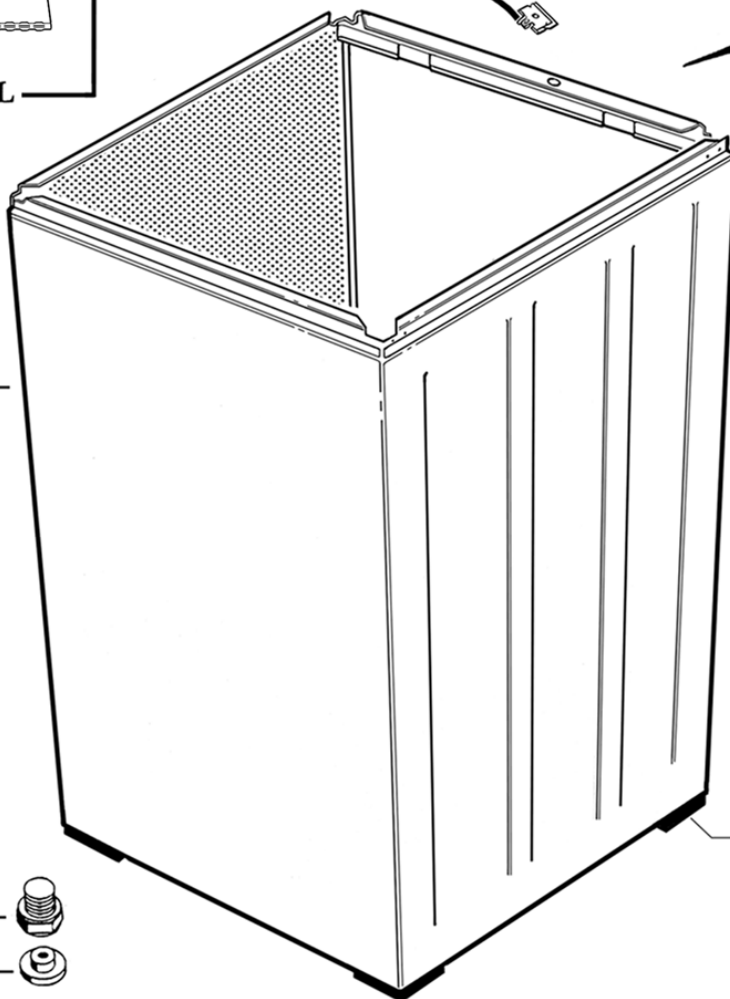
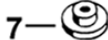
# WRAPPER CABINET



**TRANSIT BOWL  
PACKER**

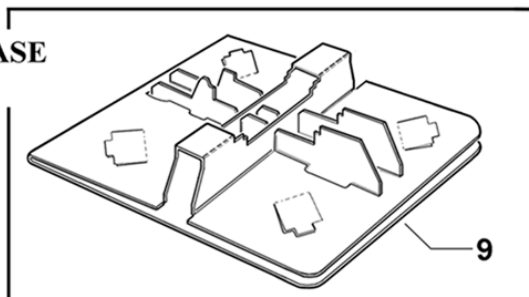


4



5

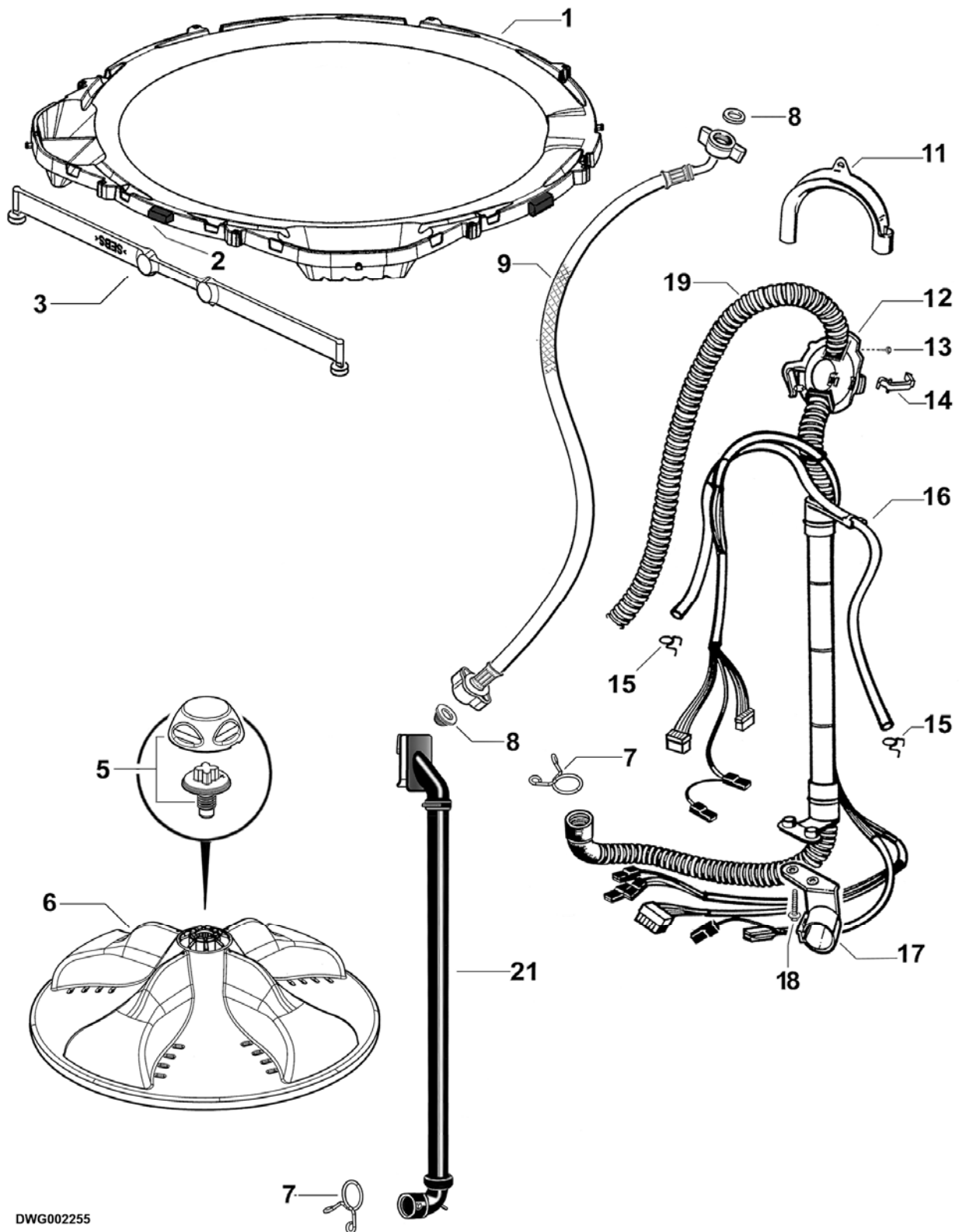
**TRANSIT BASE  
PACKER**



## WRAPPER CABINET

REF	PART	DESCRIPTION
1	421010	PACKER BOWL L AQUASMART
2	420877	WIRE CABINET EARTH RFI CHOKE
3	426058	COVER EARTH CLIP
4	426663P	WRAPPER ASSY 700 WHITE PKD
	<i>Includes</i>	<i>WRAPPER ASSY 700 WHITE</i>
	<i>Includes 420877</i>	<i>WIRE CABINET EARTH RFI CHOKE</i>
	<i>Includes 426058</i>	<i>COVER EARTH CLIP</i>
	<i>Includes</i>	<i>CORNER CABINET BOTTOM (4)</i>
	<i>Includes</i>	<i>FOOT LEVELLING (4)</i>
	<i>Includes 479183</i>	<i>INSERT FOOT</i>
5		PART OF WRAPPER ASSY
6	472969P	KIT FOOT & INSERT
	<i>Includes</i>	<i>FOOT LEVELLING</i>
	<i>Includes 479183</i>	<i>INSERT FOOT</i>
7	479183P	INSERT FOOT (PKT 4)
9	420181	PACKER BASE L LOCAL
10	479273	KIT CATCH LID
	<i>Includes</i>	<i>CATCH LID PARTIAL OPENING</i>
	<i>Includes</i>	<i>TAPE FOAM DIE CUT 46X40X1</i>
	<i>Includes</i>	<i>LEAFLET INSTALLATION CATCH LID</i>
11	479314	CARD WARRANTY REGISTRATION ALL PRODUCT
12	421168P	BOOKLET USE & CARE LCD/LED AQS

# AGITATOR AND HOSES

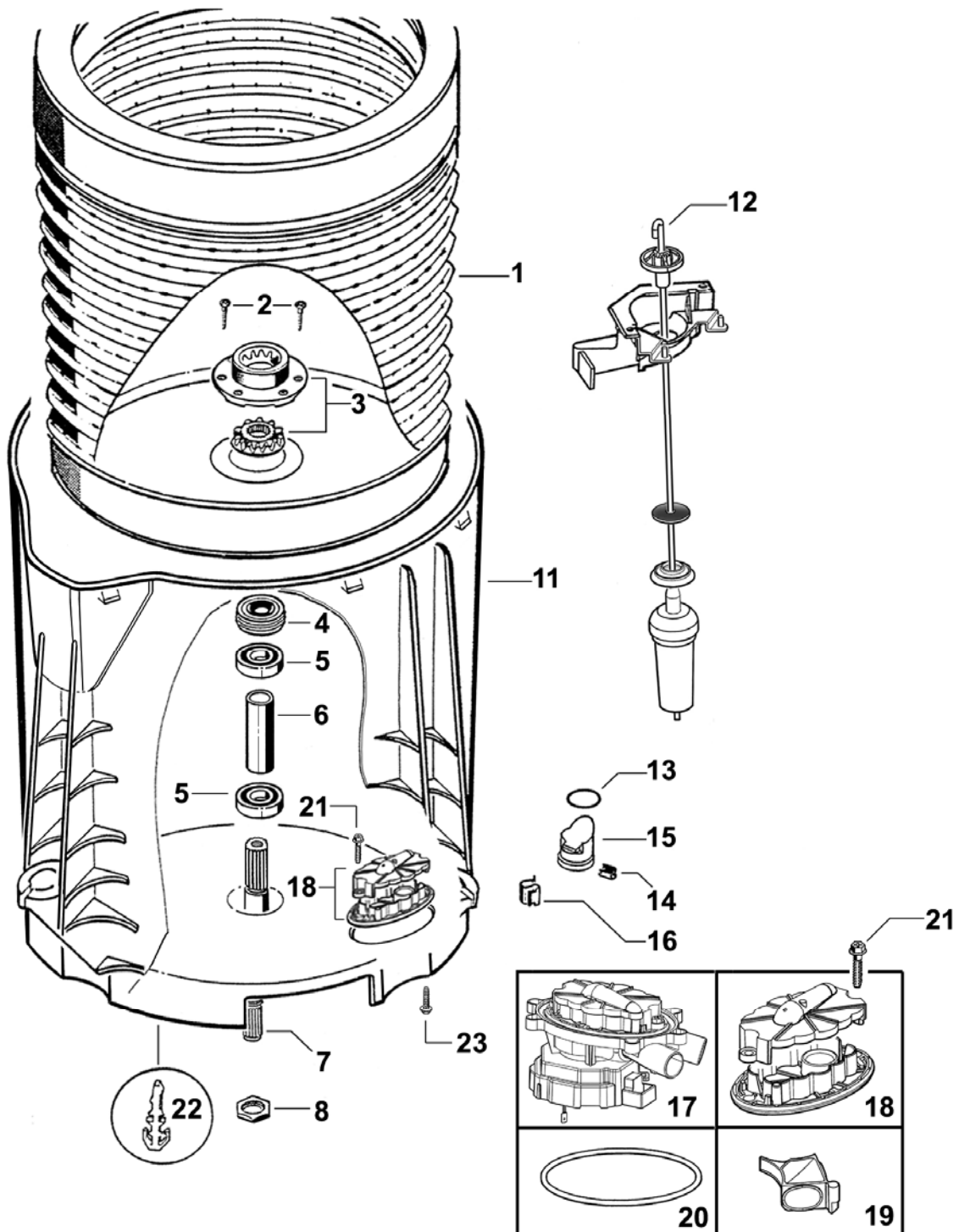


DWG002255

## AGITATOR AND HOSES

REF	PART	DESCRIPTION
1	421041P	NECKRING KIT
	<i>Includes</i>	<i>NECKRING LGE DISPENSER MOULDED</i>
	<i>Includes 420978</i>	<i>STRAP MOULDED STRAIGHT (4)</i>
2	421576P	NECKRING PAD KIT
	<i>Includes 421576</i>	<i>PAD NECKRING (4)</i>
	<i>Includes 421612</i>	<i>SHEET INFO PAD</i>
3	420978P	STRAP MOULDED STRAIGHT (PKT 4)
5	421040P	CAP & BOLT KIT PKD
	<i>Includes</i>	<i>CAP AGITATOR LP</i>
	<i>Includes</i>	<i>BOLT AGITATOR LP</i>
6	421039P	AGITATOR LP KIT
	<i>Includes 421040</i>	<i>CAP AGITATOR LP &amp; BOLT AGITATOR LP</i>
7	420677	CLAMP HOSE DIA 33 SAFE
8	420016P	KIT FILTER / CONNECTOR SEAL (2 EACH)
	<i>Includes 420016</i>	<i>FILTER INLET MIFLEX (2)</i>
	<i>Includes 420017</i>	<i>CONNECTOR SEAL MIFLEX (2)</i>
9	420375P	HOSE INLET ASSY MIFLEX II (10MM ID)
	<i>Includes</i>	<i>FILTER INLET PLASTIC</i>
	<i>Includes</i>	<i>CONNECTOR SEAL (2)</i>
	422680P	HOSE INLET LONG (2MX10MM ID) PKD
	<i>Includes 420016</i>	<i>FILTER INLET MIFLEX</i>
	<i>Includes 420017</i>	<i>CONNECTOR SEAL MIFLEX (2)</i>
11	422808P	GUIDE OUTLET HOSE
12	426455	FIXTURE DRAIN HOSE
13	611933P	SCREW ST 8X5/8 TA MTS PH H5 (PKT 10)
14	425487	CLIP FIXTURE DRAIN HOSE
15	425611	CLAMP HOSE 08.5 TALL GRIP
16	425085	TUBE PRESSURE SWITCH
17	425503	BRACKET DRAIN HOSE
18	420748P	SCREW ST 1/4X1.25" PLASTITE (PKT 10)
19	420676P	HOSE & HARNESS ASSY SD14
21	420514	HOSE RECIRC ASSY SD14

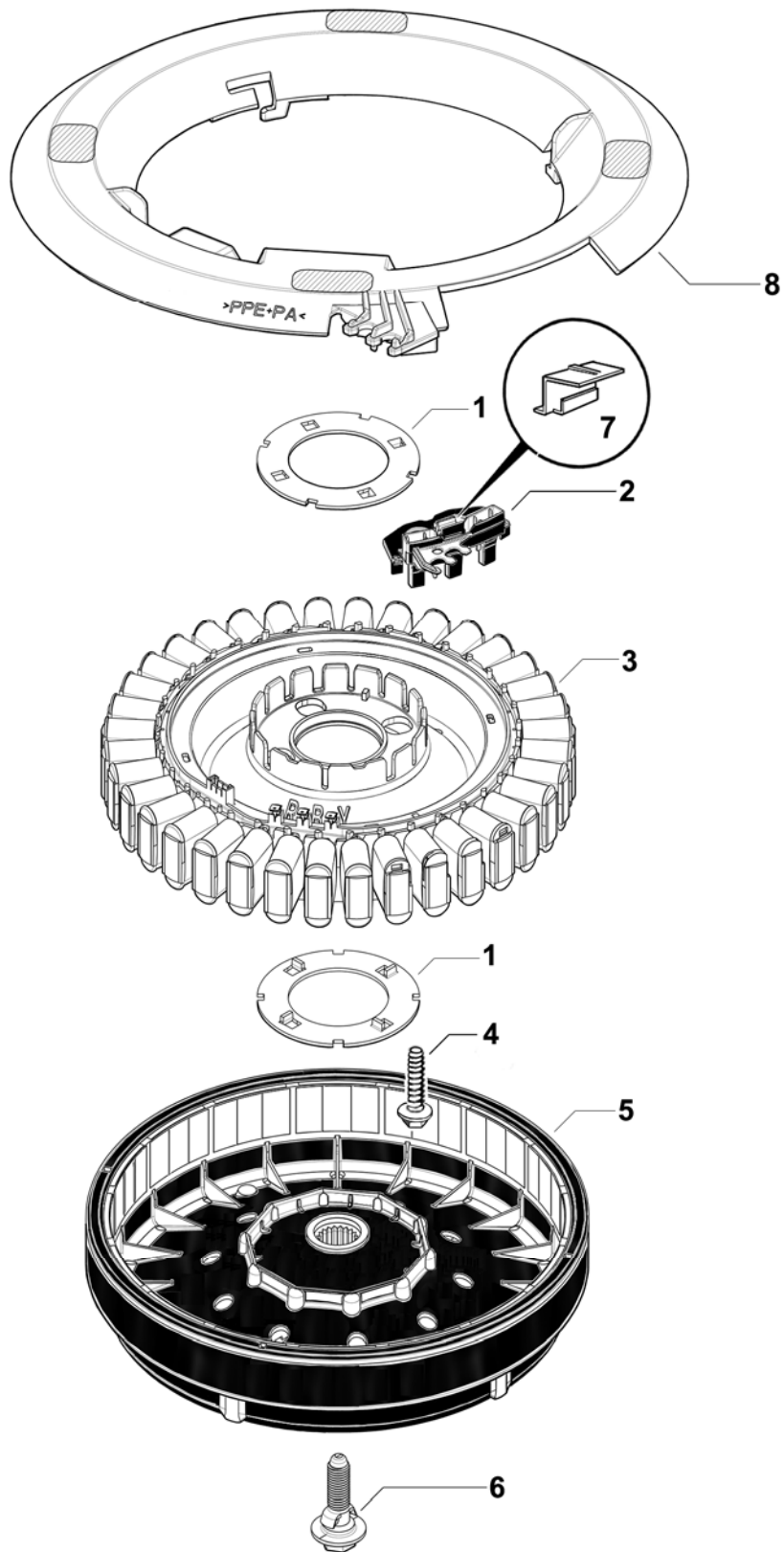
# INNER & OUTER BOWLS AND DRAIN PUMP



## INNER AND OUTER BOWLS AND PUMP

REF	PART	DESCRIPTION
1	420497P	BOWL INNER ASSY SD14L PKD
	<i>Includes 425080</i>	<i>SPLINE DRIVEN</i>
	<i>Includes 425131</i>	<i>SCREW CLUTCH (3)</i>
	<i>Includes 425596</i>	<i>SPLINE DRIVE ASSY</i>
2	425131P	SCREW CLUTCH (PKT 10)
3	479318P	KIT SPLINE DRIVE
	<i>Includes 425080</i>	<i>SPLINE DRIVEN</i>
	<i>Includes 425596</i>	<i>SPLINE DRIVE ASSY</i>
4	425009P	LIPSEAL PKD
5	425006P	BEARING 6005 2RSH/C3 PKD
6	425007	SPACER BEARING
7	420794P	SHAFT DRIVE INTERNAL THREAD KIT
	<i>Includes 420664</i>	<i>BOLT ROTOR</i>
	<i>Includes 420665</i>	<i>BOLT AGITATOR (Not Required or Used for this Model)</i>
8	425171	NUT BEARING
11	421043	BOWL OUTER ASSY SD14 KIT PKD
	<i>Includes</i>	<i>BOWL OUTER ASSY SD14</i>
	<i>Includes 472867</i>	<i>CLIP WIRING OUTER BOWL (3)</i>
	<i>Includes 613709</i>	<i>CLIP PIPE UNITED CARR FT19280-ZNPL</i>
	<i>Includes 425763</i>	<i>PLUG ASSEMBLY PRESSURE CHAMBER</i>
	<i>Includes 613710</i>	<i>CLIP EDGE (2)</i>
	<i>Includes 425006</i>	<i>BEARING 6005 2RSH/C3 (2)</i>
	<i>Includes 425007</i>	<i>SPACER BEARING</i>
	<i>Includes 425009</i>	<i>LIPSEAL</i>
12	421127P	SUSPENSION KIT AQUASMART (PKT 4)
13	425149	SEAL O RING PRESSURE CHAMBER
14	613710P	CLIP EDGE (PKT 2)
15	425763	PLUG ASSY PRESSURE CHAMBER
	<i>Includes 425097</i>	<i>PLUG PRESSURE CHAMBER</i>
	<i>Includes 425149</i>	<i>SEAL O RING PRESSURE CHAMBER</i>
16	613709P	CLIP PIPE UNITED CARR FT19280-ZNPL (PKT 10)
17	479417P	PUMP (SMART PUMP) ASSEMBLY KIT
	<i>Includes</i>	<i>SMART PUMP ASSY</i>
	<i>Includes 421124P</i>	<i>SEAL PUMP D PROFILE</i>
	<i>Includes 421030</i>	<i>COVER CONNECTOR PUMP</i>
18	479418	HOOD AND CAP (SMART PUMP) KIT
19	420403P	VALVE FLAPPER (SMART PUMP)
20	479420	SEAL (SMART PUMP) HOUSING PKD
	<i>Includes 421124P</i>	<i>SEAL PUMP D PROFILE</i>
21	425162P	SCREW COVER (PKT 10)
22	472867P	CLIP WIRING OUTER BOWL (PKT 3)
23	425150P	SCREW 1/4X1 PLASTITE 60 (PKT 10)

# MOTOR



DWG001621

**MOTOR**

<b>REF</b>	<b>PART</b>	<b>DESCRIPTION</b>
1	426174P	CLAMP PLATE STATOR LANCED (PAIR)
2	438515P	MODULE SD RPS 36H SPARES
	<i>Includes 420773</i>	<i>COVER TERMINAL RAST</i>
3	438516P	STATOR ASSEMBLY SPARES
	<i>Includes</i>	<i>STATOR ASSY 0.6 AL</i>
4	426835P	SCREW STATOR (PKT 10)
5	438503P	ROTOR ASSY SPARES
	<i>Includes 420664</i>	<i>BOLT ROTOR</i>
6	420664P	BOLT ROTOR
7	420773	COVER TERMINAL RAST
8	421094P	SHIELD MOTOR UL