

Fisher & Paykel

AquaSmart2 Washer
WL80T65CW2 FP NZ
Product Code: 92191-A

Parts Manual

Brand:	Fisher & Paykel
Voltage:	220-240V, 50Hz
Model:	WL80T65CW2 FP NZ
Product Code:	92191-A

Models

- The models covered by this manual are listed on the front cover.
- The information detailed in this manual is subject to change without notice. The latest version is indicated by the reprint date and replaces any earlier editions.
- The front cover picture indicates the type of product. It may not be an exact image of the model covered in the manual.

Kit Parts

Kit components are shown in *italics*. Where a part number is shown against the descriptions for these kit components, they are also available as separate items. In addition, some parts may be supplied with these kits that are not available as separate items, and are therefore either not listed, or a part number is not shown against the part description in this manual.

Parts List Key

<i>italics</i>	Kit components or parts included are shown in italics. Refer to above notes: Kit Parts.
NI	As a part reference, indicates the part is not illustrated on the diagram.
NOT USED	As a part number, indicates the diagram part reference is not used in this manual.

TOP DECK & ELECTRONICS	4
WRAPPER CABINET	8
AGITATOR & HOSES	10
INNER & OUTER BOWL & PUMP	12
MOTOR	14

Fisher & Paykel Appliances Ltd

78 Springs Road, East Tamaki

Manukau 2013

PO Box 58-732, Botany,

Manukau 2163,

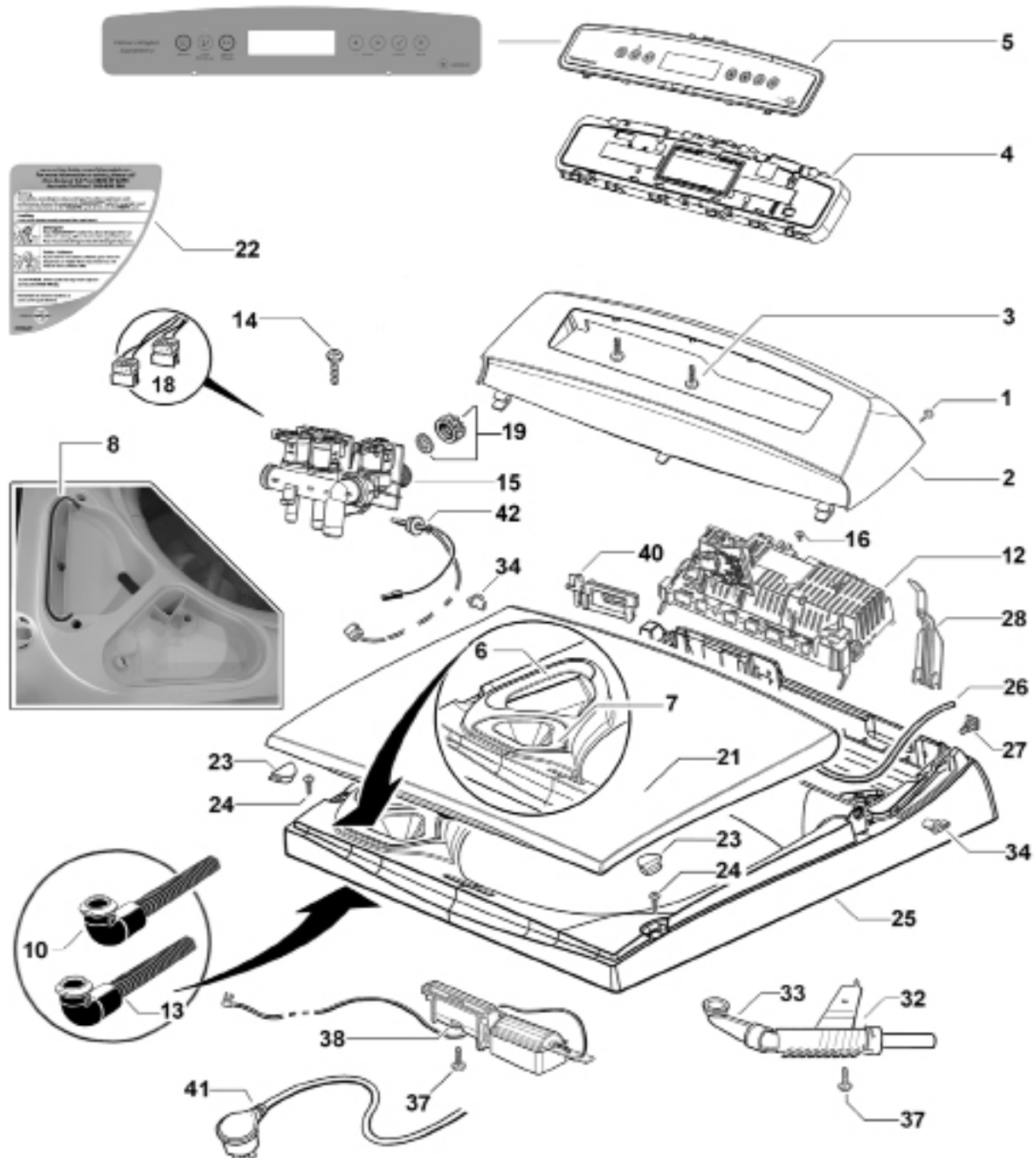
Auckland, New Zealand

tel: (09) 2730660

fax: (09) 2730580

email: customer.care@fp.co.nz

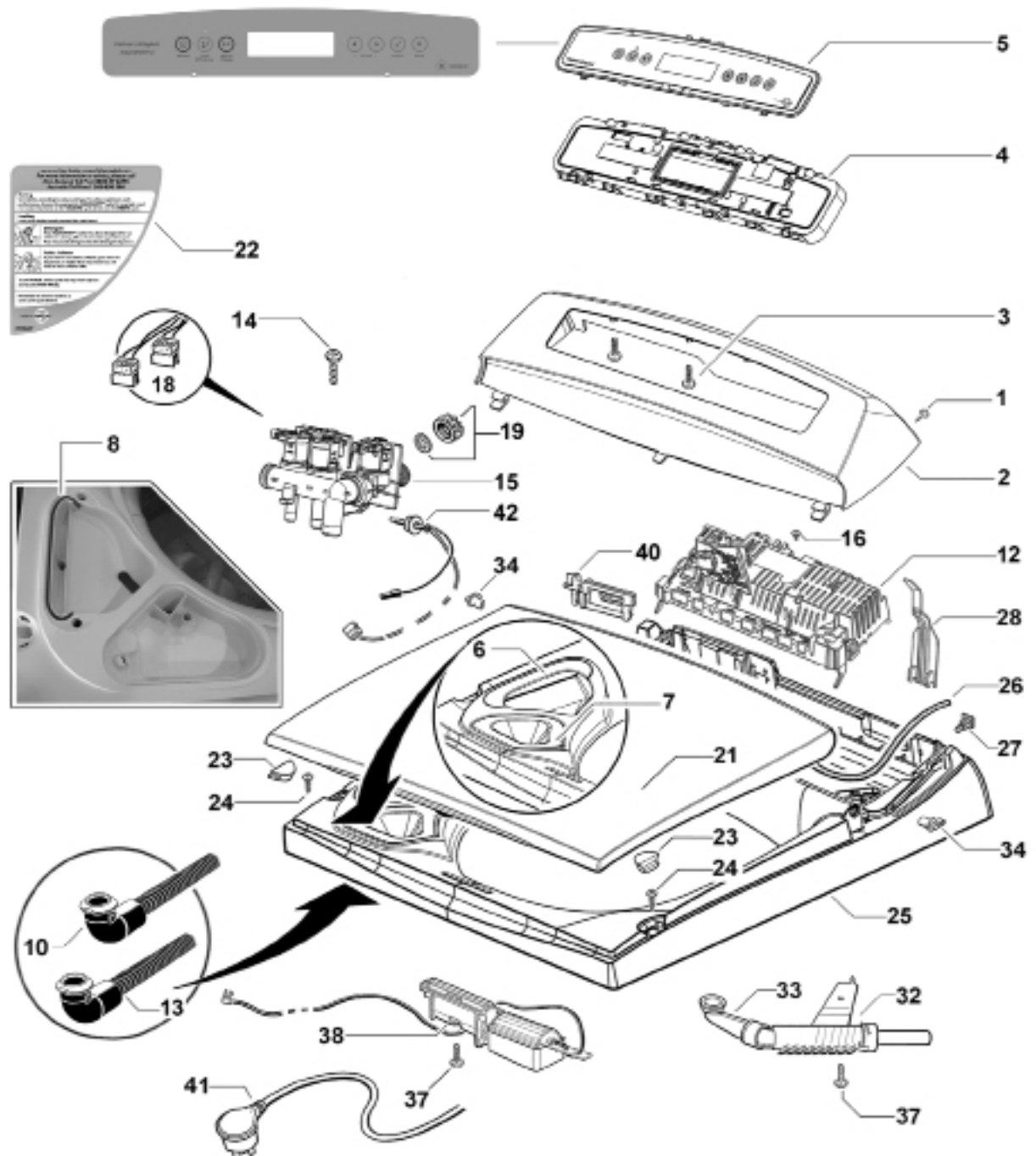
4 TOP DECK & ELECTRONICS



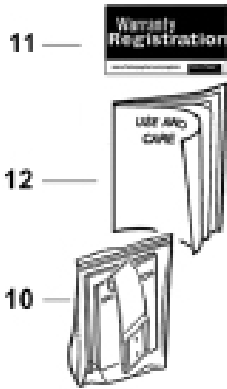
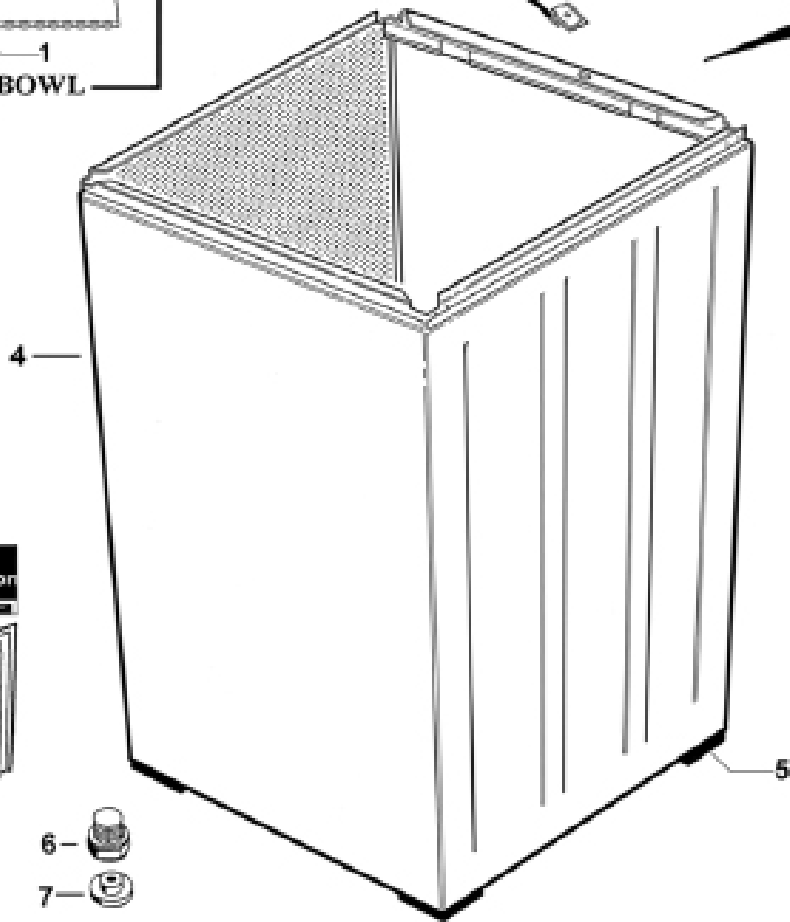
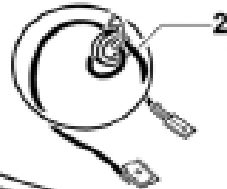
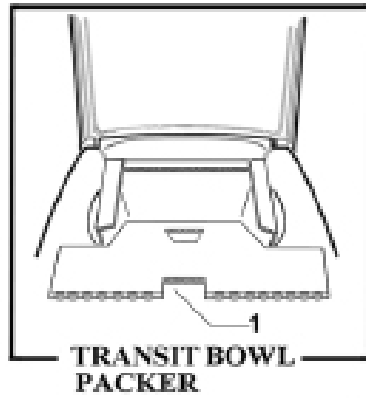
REF.	PART NUMBER	PART DESCRIPTION
1	611933P	SCREW ST 8X5/8 TA MTS PH ZNPL (PKT 10)
2	420957P	CONSOLE L SD IMD
3	611805P	SCREW ST 8X16 PLASTITE PAN PH (PKT 10)
4	421613P	MODULE DISPLAY AQS H LCD BLH SVC
5	424168	FASCIA ASSY IMD AQS2
6	421047	COVER DETERGENT FLUSHER KIT
	<i>Includes</i>	<i>GASKET DISPENSER DIA 3.0MM X155MM</i>
7	420912P	FUNNEL FABRIC SOFTENER
8		<i>GASKET PART OF COVER DETERGENT FLUSHER KIT</i>
10	421015P	HOSE DISP. DETERGENT CREAM
12	421300NAP	MODULE MC AQS PH9 230 2UD NZ/A
13	420938P	HOSE DISP. SOFTENER GREY
14	611986P	SCREW ST 8X20MM HILO (PKT10)
15	421175P	VALVE INLET DISP LOW PRESSURE VERSION 3 NZ/AU
	<i>Includes</i>	<i>THERMISTOR ASSY EPCOS UL</i>
	<i>Includes</i>	<i>GROMMET THERMISTOR</i>
16	611986P	SCREW ST 8X20MM HILO PAN PH
18	420963	HARNESS DISPENSING INLET VALVE
19	388491P	CAP VALVE BLANKING
	<i>Includes 420017</i>	<i>CONNECTOR SEAL VALVE CAP</i>
21	478070P	LID L13 WH PKD
22	420993	LABEL LID AQUASMART
23	426793P	BUFFER LID SD11 (PKT 2)
24	611812P	SCREW ST 10X5/8 MSH PAN PH SS430 (PKT 10)
25	420698	TOP DECK ASSY L AQS
	<i>Includes 422402</i>	<i>NUT SNAP IN SPIRE P0071/05/01/00 (2)</i>
	<i>Includes 426825</i>	<i>HINGE LID SD11 (2)</i>
	<i>Includes</i>	<i>COVER DETERGENT FLUSHER</i>
	<i>Includes</i>	<i>GASKET DISPENSER DIA 3.0MM</i>
	<i>ncludes 420912</i>	<i>FUNNEL FABRIC SOFTENER</i>
	<i>Includes 420938</i>	<i>HOSE DISP. SOFTENER GREY</i>
	<i>Includes 421004</i>	<i>BUNG DISPENSER TOP DECK (2)</i>
	<i>Includes 421015</i>	<i>HOSE DISP. DETERGENT CREAM</i>

Continued on next page

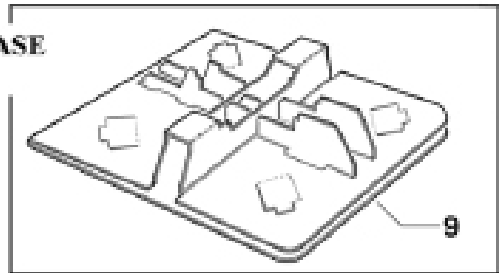
6 TOP DECK & ELECTRONICS



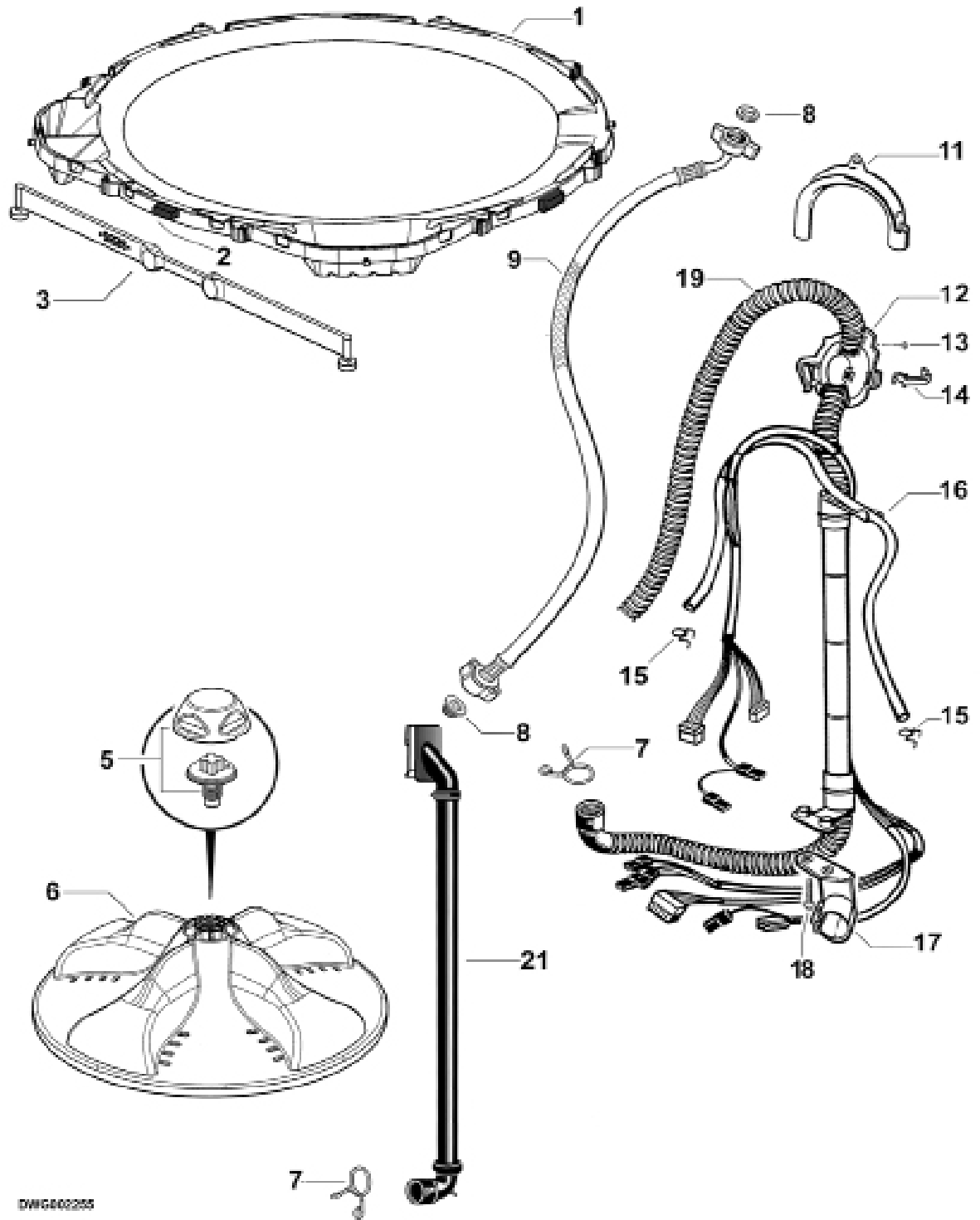
REF.	PART NUMBER	PART DESCRIPTION
26	426273P	GASKET CONSOLE FOAM CUT
27	422402	NUT SNAP IN SPIRE P0071/05/01/00
28	420133P	COVER WIRING TOPDECK SD11
32	420833P	NOZZLE SPRAY FILL ASSY
	<i>Includes</i>	<i>CAP NOZZLE SPRAY FILL</i>
	<i>Includes</i>	<i>NOZZLE SPRAY FILL</i>
	<i>Includes</i>	<i>PISTON NOZZLE SPRAY FILL</i>
	<i>Includes</i>	<i>SPRING FILL NOZZLE</i>
33	425974P	ELBOW NOZZLE SD3
34	426825P	HINGE LID SD11 (PKT 2)
37	611811P	SCREW ST 8X1/2 PAN PH PLASTITE SS (PKT 10)
38	420700P	LIDLOCK ASSEMBLY SD14
40	420738P	CLAMP HARNESS TOP DECK
41	424225	CORDSET AA SR TOROID
42	479452P	KIT EPCOS THERMISTOR & GROMMET UL
	<i>Includes</i>	<i>THERMISTOR ASSY EPCOS UL</i>
	<i>Includes</i>	<i>GROMMET THERMISTOR</i>
	<i>Includes</i>	<i>LEAFLET INSTRUCTION THERMISTOR EPCOS</i>



**TRANSIT BASE
PACKER**

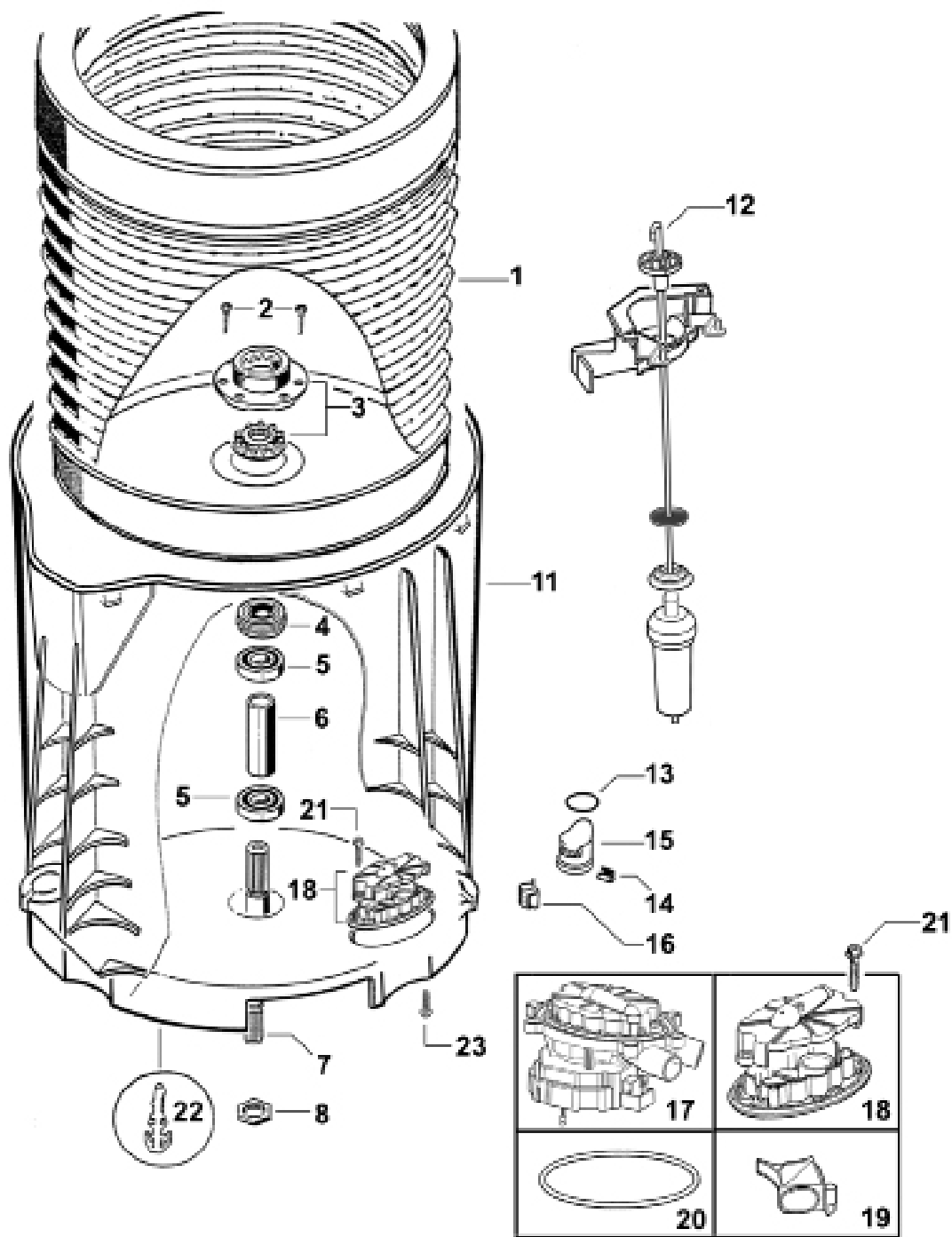


REF.	PART NUMBER	PART DESCRIPTION
1	421010	PACKER BOWL L AQUASMART
2	420877	WIRE CABINET EARTH RFI CHOKE
3	426058	COVER EARTH CLIP
4	426663P	WRAPPER ASSY 7 PKD
	<i>Includes</i>	<i>WRAPPER ASSY 700 WHITE</i>
	<i>Includes 420877</i>	<i>WIRE CABINET EARTH RFI CHOKE</i>
	<i>Includes 426058</i>	<i>COVER EARTH CLIP</i>
	<i>Includes</i>	<i>CORNER CABINET BOTTOM (4)</i>
	<i>Includes</i>	<i>FOOT LEVELLING (4)</i>
	<i>Includes 479183</i>	<i>INSERT FOOT</i>
5		<i>PART OF WRAPPER ASSY</i>
6	472969P	KIT FOOT & INSERT
	<i>Includes</i>	<i>FOOT LEVELLING</i>
	<i>Includes</i>	<i>INSERT FOOT</i>
7	479183P	INSERT FOOT (PKT 4)
9	420181	PACKER BASE L LOCAL
10	479273	KIT CATCH LID
	<i>Includes</i>	<i>CATCH LID PARTIAL OPENING</i>
	<i>Includes</i>	<i>TAPE FOAM DIE CUT 46X40X1</i>
	<i>Includes</i>	<i>LEAFLET INSTALLATION CATCH LID</i>
11	820303	CARD REGISTRATION FP AA
12	421168P	BOOK USE & CARE LCD/LED AQS

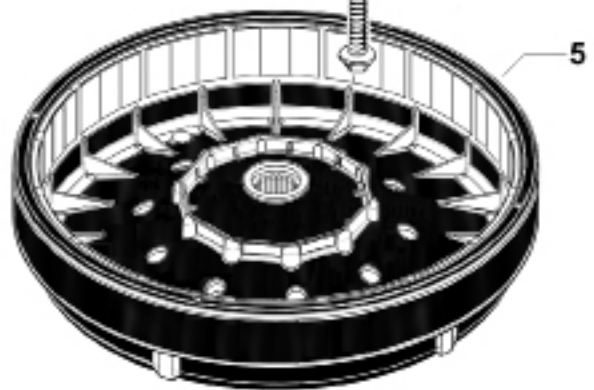
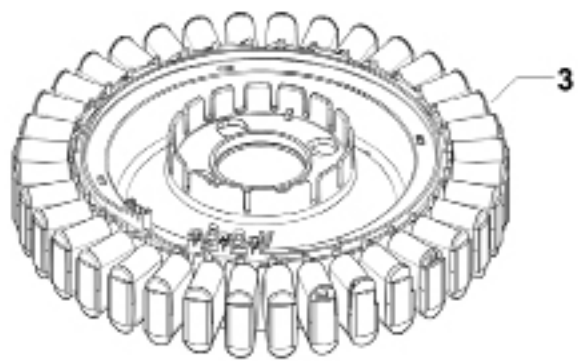
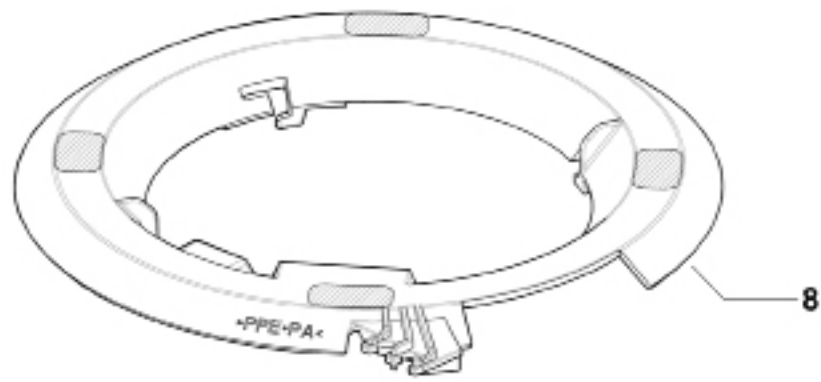


REF.	PART NUMBER	PART DESCRIPTION
1	421041P	NECKRING KIT
	<i>Includes</i>	<i>NECKRING LGE DISPENSER MOULDED</i>
	<i>Includes 420978</i>	<i>STRAP MOULDED STRAIGHT (4)</i>
2	421576P	NECKRING PAD KIT
	<i>Includes 421576</i>	<i>PAD NECKRING (4)</i>
	<i>Includes 421612</i>	<i>SHEET INFO PAD</i>
3	420978P	STRAP MOULDED STRAIGHT (PKT 4)
5	424190P	CAP & BOLT KIT GREY
	<i>Includes</i>	<i>CAP AGITATOR LP</i>
	<i>Includes</i>	<i>BOLT AGITATOR LP</i>
6	424189P	AGITATOR LP KIT GREY
	<i>Includes 424190P</i>	<i>CAP AGITATOR LP & BOLT AGITATOR LP</i>
	<i>Includes</i>	<i>AGITATOR LP</i>
7	420677	CLAMP HOSE DIA 33 SAFE
8	420016P	KIT FILTER / CONNECTOR SEAL (2 EACH)
	<i>Includes 420016</i>	<i>FILTER INLET MIFLEX (2)</i>
	<i>Includes 420017</i>	<i>CONNECTOR SEAL MIFLEX (2)</i>
9	420375P	HOSE INLET ASSY MIFLEX II (10MM ID)
	<i>Includes</i>	<i>FILTER INLET PLASTIC</i>
	<i>Includes</i>	<i>CONNECTOR SEAL (2)</i>
	422680P	HOSE INLET LONG (2MX10MM ID) PKD
	<i>Includes 420016</i>	<i>FILTER INLET MIFLEX</i>
	<i>Includes 420017</i>	<i>CONNECTOR SEAL MIFLEX (2)</i>
11	420667P	GUIDE OUTLET HOSE PKD
12	426455	FIXTURE DRAIN HOSE
13	611933P	SCREW ST 8X5/8 TA MTS PH H5 (PKT 10)
14	425487	CLIP FIXTURE DRAIN HOSE
15	425611	CLAMP HOSE 08.5 TALL GRIP
16	425085	TUBE PRESSURE SENSOR
17	425503	BRACKET DRAIN HOSE
18	425150P	SCREW ST 1/4 X 1" PKD 10
19	421426P	HOSE & HARNESS ASSY PKD
21	420514P	HOSE RECIRC ASSY AS

12 INNER & OUTER BOWL & PUMP



REF.	PART NUMBER	PART DESCRIPTION
1	420497P	BOWL INNER ASSY SD14L PKD
	<i>Includes 425080</i>	<i>SPLINE DRIVEN</i>
	<i>Includes 425131</i>	<i>SCREW CLUTCH (3)</i>
	<i>Includes 425596</i>	<i>SPLINE DRIVE ASSY</i>
2	425131P	SCREW CLUTCH (PKT 10)
3	479318P	KIT SPLINE DRIVE
	<i>Includes 425080</i>	<i>SPLINE DRIVEN</i>
	<i>Includes 425596</i>	<i>SPLINE DRIVE ASSY</i>
4	425009P	LIPSEAL PKD
5	425006P	BEARING 6005 2RSH/C3 PKD
6	425007	SPACER BEARING
7	420794P	SHAFT DRIVE INTERNAL THREAD KIT
	<i>Includes 420664</i>	<i>BOLT ROTOR</i>
	<i>Includes 420665</i>	<i>BOLT AGITATOR (Not Required or Used for this Model)</i>
8	425171	NUT BEARING
11	421043P	BOWL OUTER ASSY SD14 KIT PKD
	<i>Includes</i>	<i>BOWL OUTER ASSY SD14</i>
	<i>Includes 472867</i>	<i>CLIP WIRING OUTER BOWL (3)</i>
	<i>Includes 613709</i>	<i>CLIP PIPE UNITED CARR FT19280-ZNPL</i>
	<i>Includes 425763</i>	<i>PLUG ASSEMBLY PRESSURE CHAMBER</i>
	<i>Includes 613710</i>	<i>CLIP EDGE (2)</i>
	<i>Includes 425006</i>	<i>BEARING 6005 2RSH/C3 (2)</i>
	<i>Includes 425007</i>	<i>SPACER BEARING</i>
	<i>Includes 425009</i>	<i>LIPSEAL</i>
12	421127P	SUSPENSION KIT AQUASMART (PKT 4)
13	425149	SEAL O RING PRESSURE CHAMBER
14	613710P	CLIP EDGE (PKT 2)
15	425763	PLUG ASSY PRESSURE CHAMBER
	<i>Includes 425097</i>	<i>PLUG PRESSURE CHAMBER</i>
	<i>Includes 425149</i>	<i>SEAL O RING PRESSURE CHAMBER</i>
16	613709P	CLIP PIPE UNITED CARR FT19280-ZNPL (PKT10)
17	479417	PUMP (SMART PUMP) ASSEMBLY KIT
	<i>Includes</i>	<i>SMART PUMP ASSY</i>
	<i>Includes 421124P</i>	<i>SEAL PUMP D PROFILE</i>
	<i>Includes 421030</i>	<i>COVER CONNECTOR PUMP</i>
18	479418	HOOD AND CAP (SMART PUMP) KIT
19	420403P	VALVE FLAPPER (SMART PUMP)
20	479420	SEAL (SMART PUMP) HOUSING PKD
	<i>Includes 421124P</i>	<i>SEAL PUMP D PROFILE</i>
21	425162P	SCREW COVER (PKT 10)
22	472867P	CLIP WIRING OUTER BOWL (PKT 3)
23	425150P	SCREW 1/4X1 PLASTITE 60 (PKT 10)



REF.	PART NUMBER	PART DESCRIPTION
1	426174P	CLAMP PLATE STATOR LANCED (PAIR)
3	429563P	KIT STATOR MA35M ASSEMBLY
	<i>Includes</i>	<i>STATOR ASSY 0.6 AL</i>
4	426835P	SCREW STATOR (PKT 10)
5	438503P	ROTOR ASSY SPARES
	<i>Includes 420664</i>	<i>BOLT ROTOR</i>
6	420664P	BOLT ROTOR
8	421094P	SHIELD MOTOR UL

Fisher & Paykel
appliances

customer care™

www.fisherpaykel.co.nz

Fisher & Paykel

Copyright © Fisher & Paykel 2011. All rights reserved.

The product specifications in this booklet apply to the specific products and models described at the date of issue. Under our policy of continuous product improvement, these specifications may change at any time. You should therefore check with your Dealer to ensure this booklet correctly describes the product currently available.