

# **AQUASMART® Electronic Washing Machine**

## **Model**

WL80T65CW1 FP NZ

## **Product Code**

92220-A



**92220-A**



## PRODUCT

<b>Brand</b>	Fisher & Paykel
<b>Voltage</b>	220-240V 50Hz
<b>Model</b>	WL80T65CW1 FP NZ
<b>Product Code</b>	92220-A

**Fisher & Paykel Appliances Ltd**  
78 Springs Road, East Tamaki  
PO Box 58-732, Greenmount  
Auckland, New Zealand  
Telephone: 09 273 0600  
Facsimile: 09 273 0656

**Fisher & Paykel Australia Pty Ltd**  
A.C.N. 003 335 171  
19 Enterprise Street  
P O Box 798  
Cleveland, Queensland 4163  
Telephone: 07 3826 9100  
Facsimile: 07 3826 9164



## CONTENTS

TOP DECK AND ELECTRONICS .....	6
WRAPPER CABINET .....	10
AGITATOR AND HOSES .....	12
INNER & OUTER BOWLS AND DRAIN PUMP .....	14
MOTOR .....	16

### GUIDE TO USING THIS MANUAL

The model covered by this manual is listed on the front cover.

The information detailed in this manual is subject to change without notice, the latest version is indicated by the reprint date and replaces any earlier editions.

The front cover picture shows the type of product and may not necessarily be an exact image of the models covered by the manual.

#### Kit Parts

The components shown in *italics with a part number* are those parts in the kit which are available also as separate items. In addition, some parts may be supplied with this kit which are not available as separate items and are therefore either not listed or a part number is not shown against the part description in this manual.

All details relating to Technical Bulletins or Notes are shown on a dedicated page. The Technical Bulletin Number shown relates to the bulletin version which is produced for the Global Service Centres.

#### Parts List Key

NOT USED	As a part, indicates the diagram part reference is not used in this manual.
<i>italics</i>	Kit components or parts included are shown in <i>italics</i> , refer to above notes: Kit Parts
NI	As a part reference, indicates the part is not illustrated on the diagram.

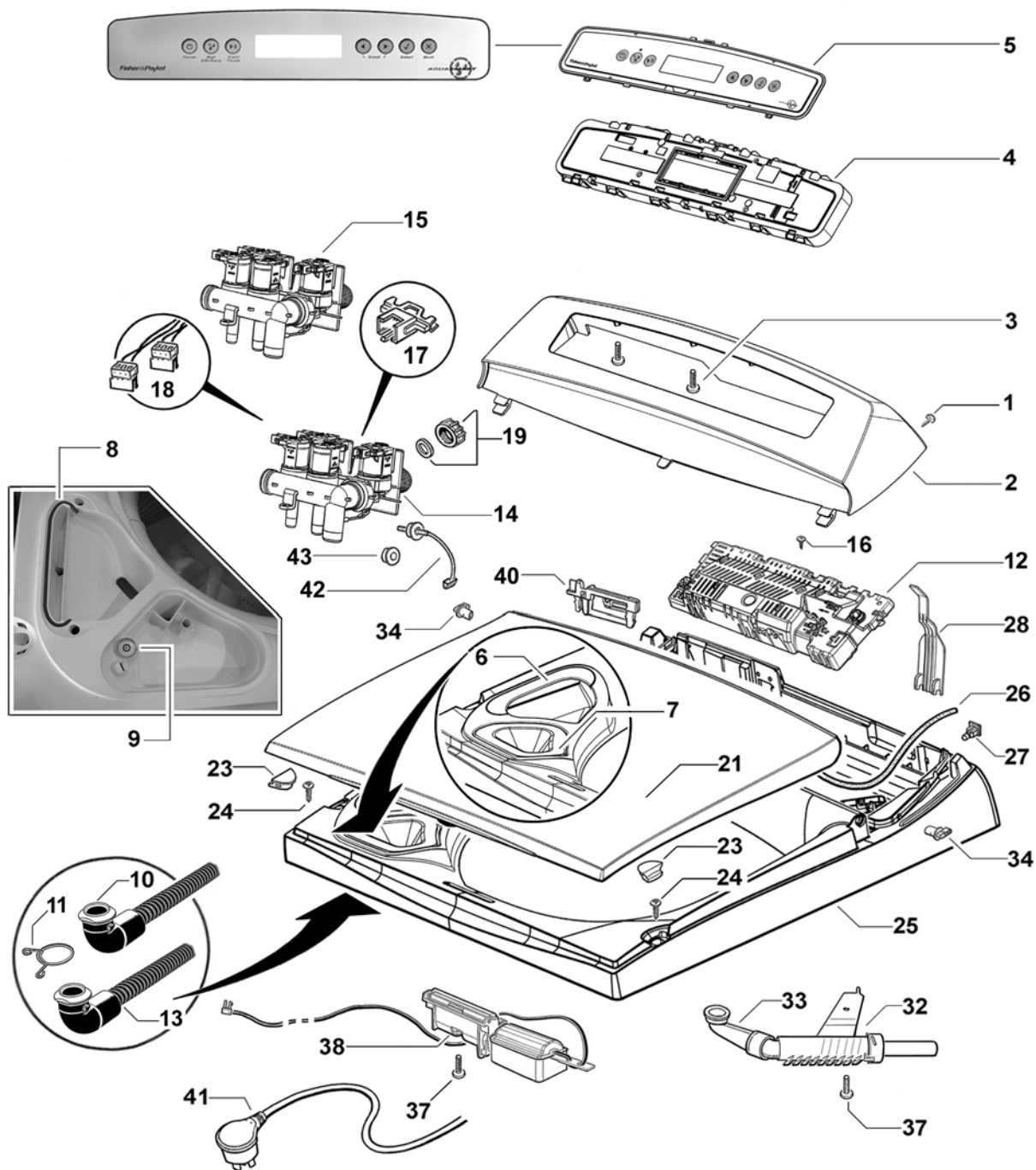


## TOP DECK AND ELECTRONICS

REF	PART	DESCRIPTION
1	611933P	SCREW ST 8X5/8 TA MTS PH ZNPL (PKT 10)
2	420957	CONSOLE L SD IMD
3	611805P	SCREW ST 8X16 PLASTITE PAN PH (PKT 10)
4	420937P	MODULE DISPLAY SD IMD
5	420959P	FACIA IMD ASSY
6	421047	COVER DETERGENT FLUSHER KIT
	<i>Includes</i>	<i>GASKET DISPENSER DIA 3.0MM X155MM</i>
7	420912	FUNNEL FABRIC SOFTENER
8		GASKET PART OF COVER DETERGENT FLUSHER KIT
9	420947	INDICATOR LEVEL DIA 18MMX9MM
10	421015	HOSE DISP. DETERGENT CREAM
11	420909	CLAMP HOSE DIA 15.5 SAFE
12	420578NZP	MODULE MC SD PH7 230V TORO
13	420938	HOSE DISP. SOFTENER GREY
14	420940P	VALVE INLET DISPENSING NZ/AU
	<i>Includes</i>	<i>CLIP RETAINING RAST CONNECTOR WHITE (2)</i>
	<i>Includes</i>	<i>CLIP RETAINING RAST CONNECTOR YELLOW (1)</i>
	<i>Includes</i>	<i>CLIP RETAINING RAST CONNECTOR PURPLE (1)</i>
	<i>Includes</i>	<i>THERMISTOR ASSY SD200 UL</i>
	<i>Includes 426752</i>	<i>SEAL THERMISTOR SS</i>
15	421045P	VALVE INLET DISP LOW PRESSURE NZ/AU
	<i>Includes</i>	<i>CLIP RETAINING RAST CONNECTOR WHITE (2)</i>
	<i>Includes</i>	<i>CLIP RETAINING RAST CONNECTOR YELLOW (1)</i>
	<i>Includes</i>	<i>CLIP RETAINING RAST CONNECTOR PURPLE (1)</i>
	<i>Includes</i>	<i>THERMISTOR ASSY SD200 UL</i>
	<i>Includes 426752</i>	<i>SEAL THERMISTOR SS</i>
16	611986P	SCREW ST 8X20MM HILO PAN PH
17	421049P	CLIP RETAINING RAST DUAL VALVE KIT
	<i>Includes</i>	<i>CLIP RETAINING RAST CONNECTOR WHITE (2)</i>
	<i>Includes</i>	<i>CLIP RETAINING RAST CONNECTOR YELLOW (1)</i>
	<i>Includes</i>	<i>CLIP RETAINING RAST CONNECTOR PURPLE (1)</i>
18	420963	HARNESS DISPENSING INLET VALVE
19	388491	CAP VALVE BLANKING
	<i>Includes 420017</i>	<i>CONNECTOR SEAL VALVE CAP</i>
21	426796P	LID L11 WHITE PKD
23	426793P	BUFFER LID SD11 (PKT 2)
24	611812P	SCREW ST 10X5/8 MSH PAN PH SS430 (PKT 10)

Continued next page

# TOP DECK AND ELECTRONICS

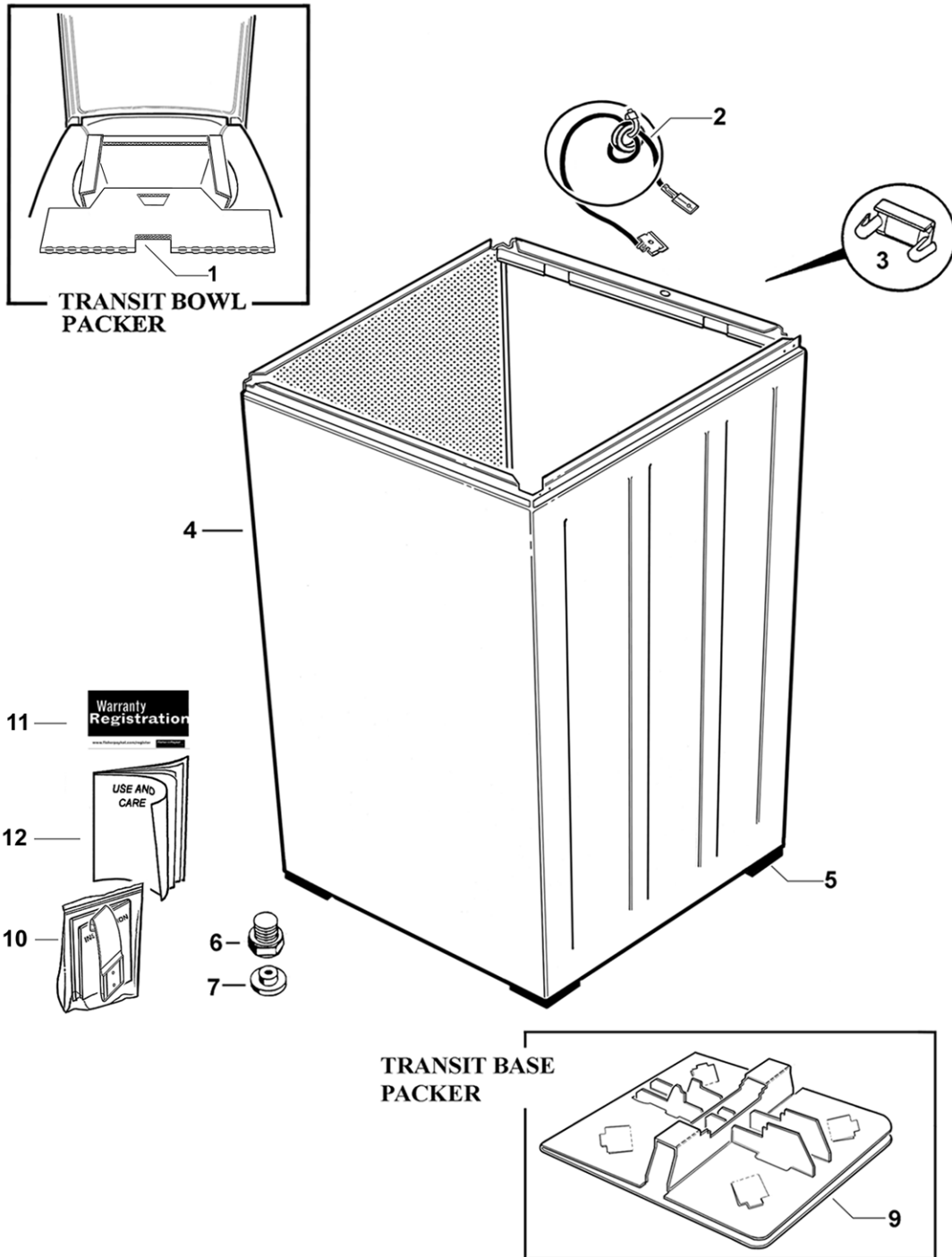


DWG000175

## TOP DECK AND ELECTRONICS

REF	PART	DESCRIPTION
25	421046	TOP DECK DISPENSING LARGE ASSY
	<i>Includes 422402</i>	<i>NUT SNAP IN SPIRE P0071/05/01/00 (2)</i>
	<i>Includes 426825</i>	<i>HINGE LID SD11 (2)</i>
	<i>Includes</i>	<i>COVER DETERGENT FLUSHER</i>
	<i>Includes</i>	<i>GASKET DISPENSER DIA 3.0MM</i>
	<i>Includes 420909</i>	<i>CLAMP HOSE 15.5 DIA (2)</i>
	<i>Includes 420912</i>	<i>FUNNEL FABRIC SOFTENER</i>
	<i>Includes 420938</i>	<i>HOSE DISP. SOFTENER GREY</i>
	<i>Includes 420947</i>	<i>INDICATOR LEVEL DIA 18MMX9MM</i>
	<i>Includes 421004</i>	<i>BUNG DISPENSER TOP DECK (2)</i>
	<i>Includes 421015</i>	<i>HOSE DISP. DETERGENT CREAM</i>
26	426273	GASKET CONSOLE FOAM CUT
27	422402	NUT SNAP IN SPIRE P0071/05/01/00
28	420133	COVER WIRING TOPDECK SD11
32	420833	NOZZLE SPRAY FILL ASSY
	<i>Includes</i>	<i>CAP NOZZLE SPRAY FILL</i>
	<i>Includes</i>	<i>NOZZLE SPRAY FILL</i>
	<i>Includes</i>	<i>PISTON NOZZLE SPRAY FILL</i>
	<i>Includes</i>	<i>SPRING FILL NOZZLE</i>
33	425974	ELBOW NOZZLE SD3
34	426825	HINGE LID SD11
37	611811P	SCREW ST 8X1/2 PAN PH PLASTITE SS (PKT 10)
38	420700	LIDLOCK ASSEMBLY SD14
40	420738	CLAMP HARNESS TOP DECK
41	420826	CORD SET SD AA STRAIN RELIEF
42	479193P	KIT THERMISTOR & SEAL UL
	<i>Includes 426949</i>	<i>THERMISTOR ASSY SD200 UL</i>
	<i>Includes 426752</i>	<i>SEAL THERMISTOR SS</i>
	<i>Includes 479165</i>	<i>LEAFLET THERMISTOR SD200</i>
43	426752P	SEAL THERMISTOR SS

# WRAPPER CABINET

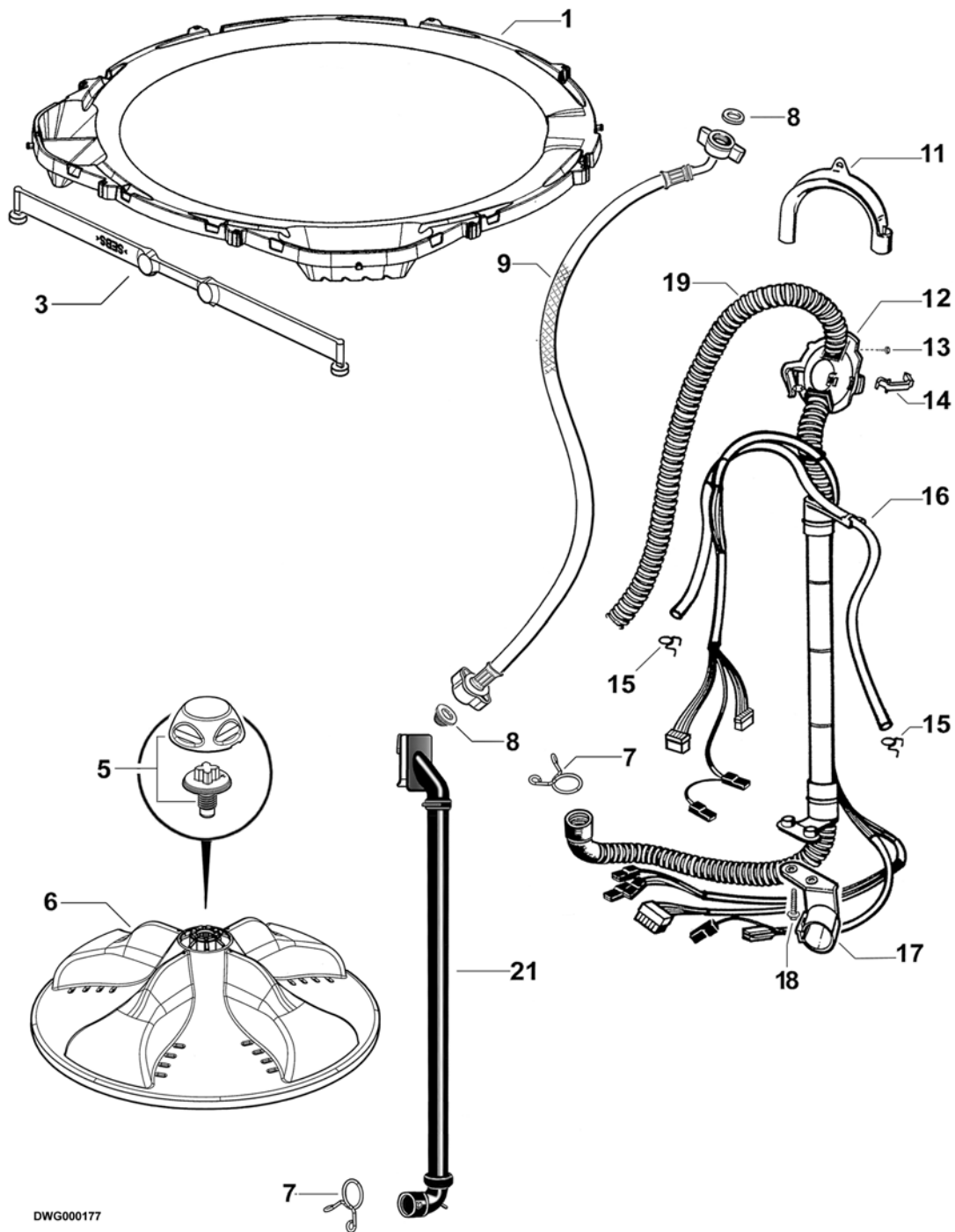


DWG000176

## WRAPPER CABINET

REF	PART	DESCRIPTION
1	421010	PACKER BOWL L AQUASMART
2	420877	WIRE CABINET EARTH RFI CHOKE
3	426058	COVER EARTH CLIP
4	426663P	WRAPPER ASSY 700 WHITE PKD
	<i>Includes 426153</i>	<i>FOOT LEVELLING (4)</i>
	<i>Includes 426657</i>	<i>CORNER CABINET BOTTOM (4)</i>
5	426657	CORNER CABINET BOTTOM
6	472969P	KIT FOOT & INSERT
	<i>Includes</i>	<i>FOOT LEVELLING</i>
	<i>Includes</i>	<i>INSERT FOOT</i>
7	479183	INSERT FOOT (PKT 4)
9	420181	PACKER BASE L LOCAL
10	479273	KIT CATCH LID
	<i>Includes</i>	<i>CATCH LID PARTIAL OPENING</i>
	<i>Includes</i>	<i>TAPE FOAM DIE CUT 46X40X1</i>
	<i>Includes</i>	<i>LEAFLET INSTALLATION CATCH LID</i>
11	479314	CARD WARRANTY REGISTRATION ALL PRODUCT
12	420992	BOOKLET USE & CARE AQUASMART NZ/AUS
	<i>Includes 421064</i>	<i>LEAFLET GUIDE QUICK REFERENCE</i>

# AGITATOR AND HOSES

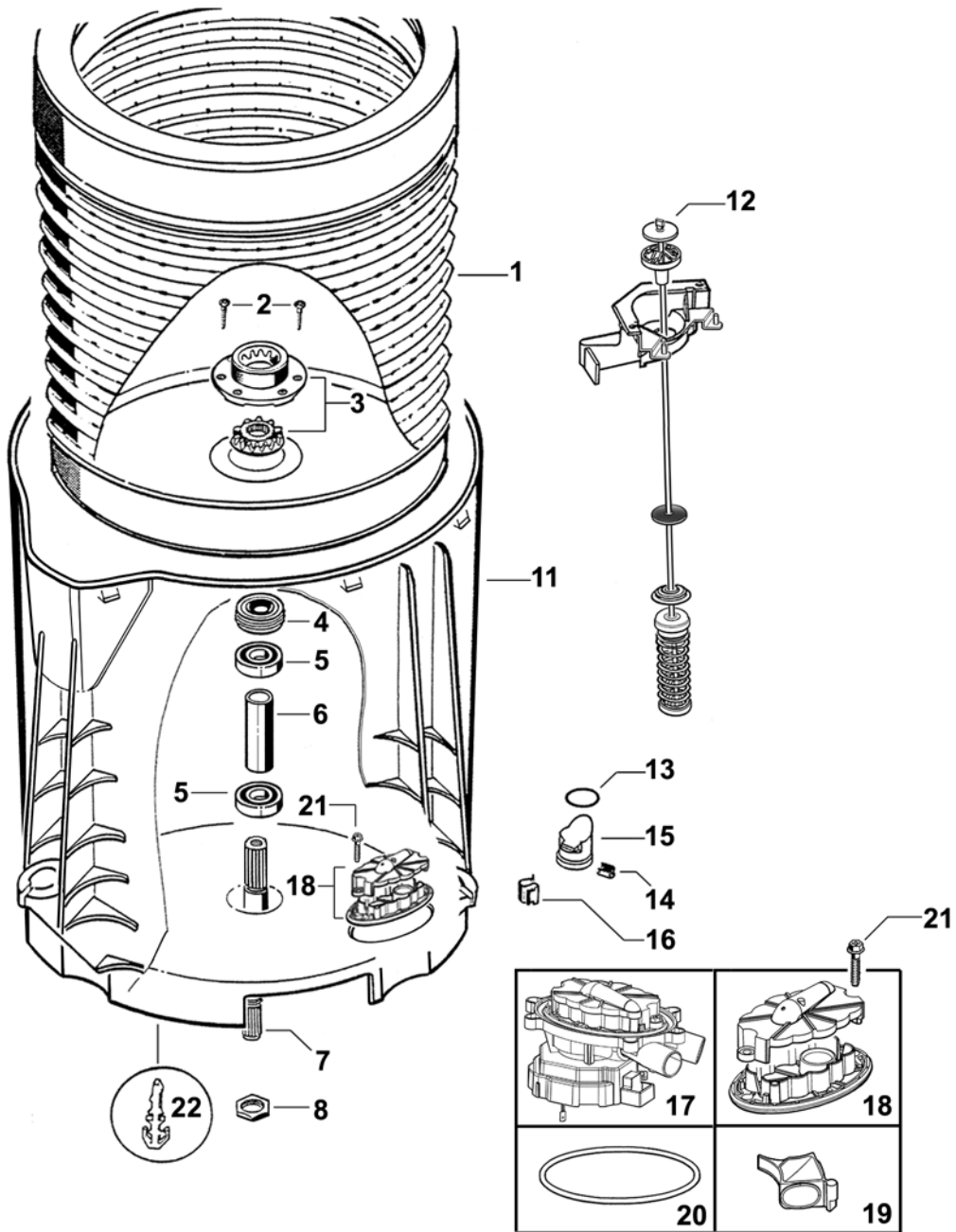


DWG000177

## AGITATOR AND HOSES

REF	PART	DESCRIPTION
1	421041	NECKRING KIT
	<i>Includes</i>	<i>NECKRING LGE DISPENSER MOULDED</i>
	<i>Includes 420978</i>	<i>STRAP MOULDED STRAIGHT (4)</i>
3	420978P	STRAP MOULDED STRAIGHT (PKT 4)
5	421040P	CAP & BOLT KIT PKD
	<i>Includes</i>	<i>CAP AGITATOR LP</i>
	<i>Includes</i>	<i>BOLT AGITATOR LP</i>
6	421039	AGITATOR LP KIT
	<i>Includes 421040</i>	<i>CAP AGITATOR LP &amp; BOLT AGITATOR LP</i>
7	420677	CLAMP HOSE DIA 33 SAFE
8	420016P	KIT FILTER / CONNECTOR SEAL (2 EACH)
	<i>Includes 420016</i>	<i>FILTER INLET MIFLEX (2)</i>
	<i>Includes 420017</i>	<i>CONNECTOR SEAL MIFLEX (2)</i>
9	420375	HOSE INLET ASSY MIFLEX II (10MM ID)
	<i>Includes</i>	<i>FILTER INLET PLASTIC</i>
	<i>Includes</i>	<i>CONNECTOR SEAL(2)</i>
	422680	HOSE INLET LONG (2MX10MM ID) PKD
	<i>Includes 420016</i>	<i>FILTER INLET MIFLEX</i>
	<i>Includes 420017</i>	<i>CONNECTOR SEAL MIFLEX (2)</i>
11	422808	GUIDE OUTLET HOSE
12	426455	FIXTURE DRAIN HOSE
13	611933P	SCREW ST 8X5/8 TA MTS PH H5 (PKT 10)
14	425487	CLIP FIXTURE DRAIN HOSE
15	425611	CLAMP HOSE 08.5 TALL GRIP
16	425299	TUBE PRESSURE SENSOR SD2
17	425503	BRACKET DRAIN HOSE
18	420748P	SCREW ST 1/4 X 1.25" PLASTITE (PKT 10)
19	420676	HOSE & HARNESS ASSY SD14
21	420514	HOSE RECIRC ASSY SD14

# INNER & OUTER BOWLS AND DRAIN PUMP

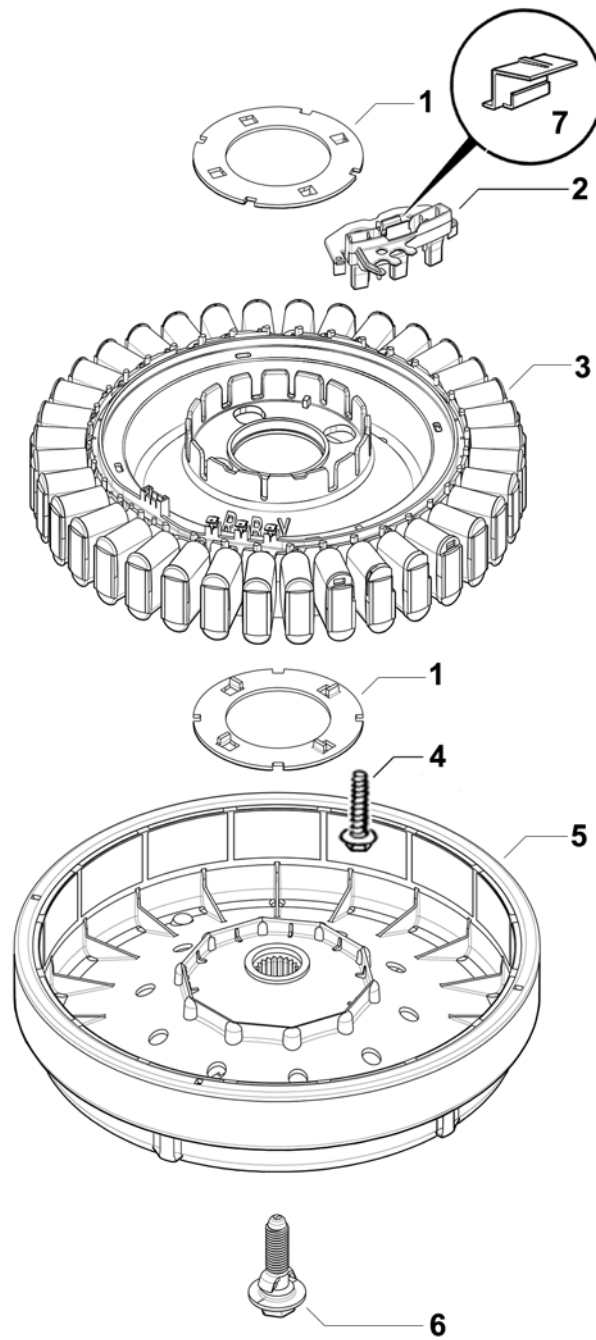


DWG000178

## INNER AND OUTER BOWLS AND PUMP

REF	PART	DESCRIPTION
1	420497P	BOWL INNER ASSY SD14L PKD
	<i>Includes 425080</i>	<i>SPLINE DRIVEN</i>
	<i>Includes 425131</i>	<i>SCREW CLUTCH (3)</i>
	<i>Includes 425596</i>	<i>SPLINE DRIVE ASSY</i>
2	425131P	SCREW CLUTCH (PKT 10)
3	479318	KIT SPLINE DRIVE
	<i>Includes 425080</i>	<i>SPLINE DRIVEN</i>
	<i>Includes 425596</i>	<i>SPLINE DRIVE ASSY</i>
4	425009P	LIPSEAL PKD
5	425006P	BEARING 6005 2RSH/C3 PKD
6	425007	SPACER BEARING
7	420794P	SHAFT DRIVE INTERNAL THREAD KIT
	<i>Includes 420664</i>	<i>BOLT ROTOR</i>
	<i>Includes 420665</i>	<i>BOLT AGITATOR ( Not Required or Used for this Model )</i>
8	425171	NUT BEARING
11	421043	BOWL OUTER ASSY SD14 KIT PKD
	<i>Includes</i>	<i>BOWL OUTER ASSY SD14</i>
	<i>Includes 472867</i>	<i>CLIP WIRING OUTER BOWL (3)</i>
	<i>Includes 613709</i>	<i>CLIP PIPE UNITED CARR FT19280-ZNPL</i>
	<i>Includes 425763</i>	<i>PLUG ASSEMBLY PRESSURE CHAMBER</i>
	<i>Includes 613710</i>	<i>CLIP EDGE (2)</i>
	<i>Includes 425006</i>	<i>BEARING 6005 2RSH/C3 (2)</i>
	<i>Includes 425007</i>	<i>SPACER BEARING</i>
	<i>Includes 425009</i>	<i>LIPSEAL</i>
12	420980P	SUSPENSION ASSY AQUASMART-A (PKT 4)
13	425149	SEAL O RING PRESSURE CHAMBER
14	613710	CLIP EDGE
15	425763	PLUG ASSY PRESSURE CHAMBER
	<i>Includes 425097</i>	<i>PLUG PRESSURE CHAMBER</i>
	<i>Includes 425149</i>	<i>SEAL O RING PRESSURE CHAMBER</i>
16	613709	CLIP PIPE UNITED CARR FT19280-ZNPL
17	479417	PUMP (SMART PUMP) ASSEMBLY KIT
	<i>Includes 421124P</i>	<i>SEAL PUMP D PROFILE</i>
	<i>Includes 421030</i>	<i>COVER CONNECTOR PUMP</i>
18	479418	HOOD AND CAP (SMART PUMP) KIT
19	420403	VALVE FLAPPER (SMART PUMP)
20	479420	SEAL (SMART PUMP) HOUSING PKD
	<i>Includes 421124P</i>	<i>SEAL PUMP D PROFILE</i>
21	425162P	SCREW COVER (PKT 10)
22	472867	CLIP WIRING OUTER BOWL

# MOTOR



DWG000044

**MOTOR**

<b>REF</b>	<b>PART</b>	<b>DESCRIPTION</b>
1	426174P	CLAMP PLATE STATOR LANCED (PAIR)
2	420776P	RPS SD PH7 SPARES
	<i>Includes 420773</i>	<i>COVER TERMINAL RAST</i>
3	420775P	STATOR ASSEMBLY PKD
4	426835P	SCREW STATOR (PKT 10)
5	420774P	ROTOR ASSEMBLY PKD
	<i>Includes 420664</i>	<i>BOLT ROTOR</i>
6	420664P	BOLT ROTOR
7	420773	COVER TERMINAL RAST