

**Fisher & Paykel**  
appliances

customer **care**<sup>™</sup>

# Parts Manual Aquasmart<sup>®</sup> Washer

**Model:**  
WL70T60CW1 FP NZ

**Product Code:**  
92221-A



*care*

**92221-A**



## PRODUCT

**Brand** Fisher & Paykel  
**Voltage** 220-240V 50Hz  
**Model** WL70T60CW1 FP NZ  
**Product Code** 92221-A

**Fisher & Paykel Appliances Ltd**  
78 Springs Road, East Tamaki  
PO Box 58-732, Greenmount  
Auckland, New Zealand  
Telephone: 09 273 0600  
Facsimile: 09 273 0656

**Fisher & Paykel Australia Pty Ltd**  
A.C.N. 003 335 171  
19 Enterprise Street  
P O Box 798  
Cleveland, Queensland 4163  
Telephone: 07 3826 9100  
Facsimile: 07 3826 9164



## CONTENTS

TOP DECK AND ELECTRONICS .....	6
WRAPPER CABINET .....	10
AGITATOR AND HOSES .....	12
INNER & OUTER BOWLS AND DRAIN PUMP.....	14
MOTOR .....	16

### GUIDE TO USING THIS MANUAL

The model covered by this manual is listed on the front cover.

The information detailed in this manual is subject to change without notice. The latest version is indicated by the reprint date and replaces any earlier editions.

The front cover picture shows the type of product and may not necessarily be an exact image of the model covered by the manual.

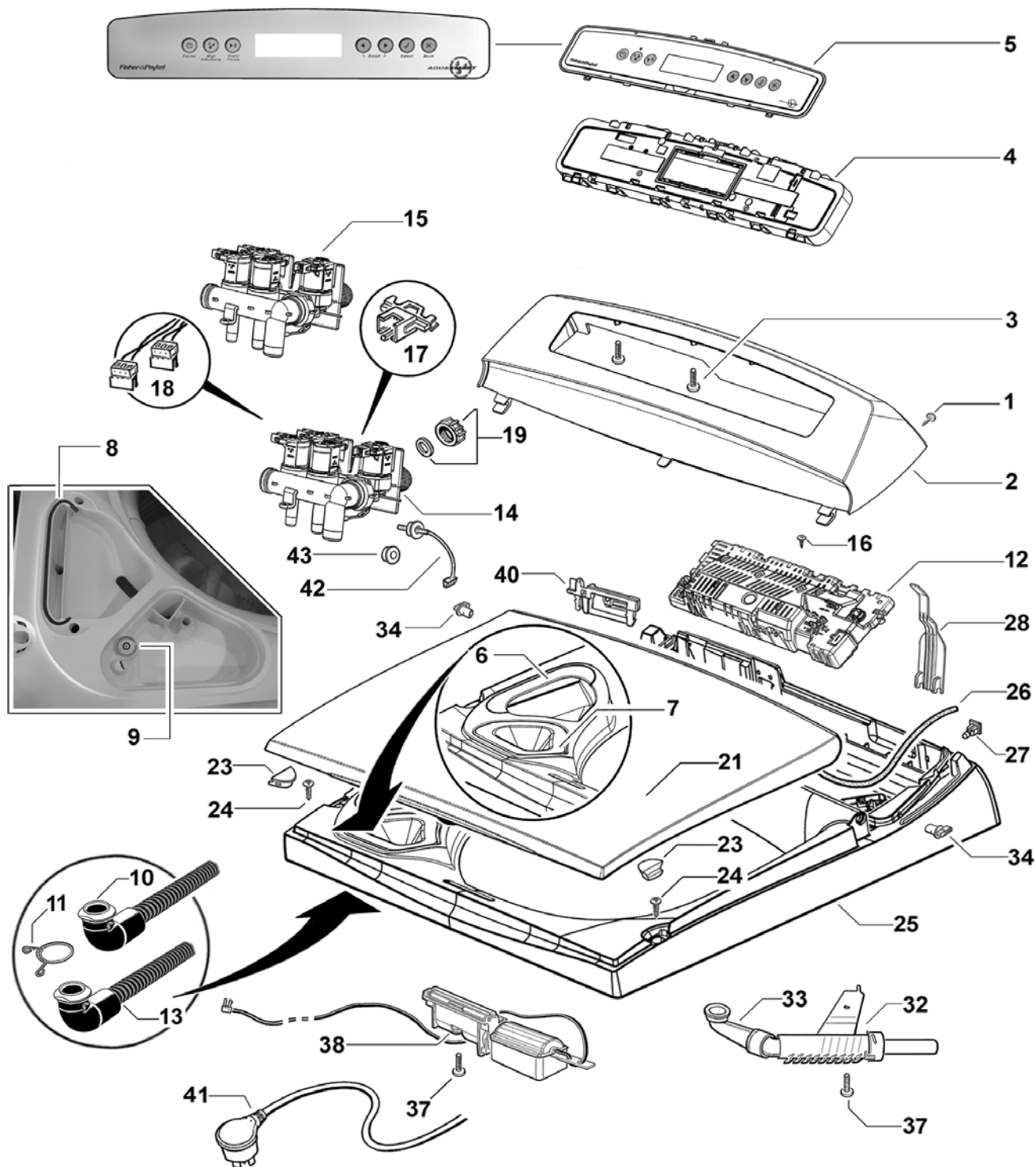
### Kit Parts

The components shown in *italics with a part number* are those parts in the kit which are available also as separate items. In addition, some parts may be supplied with this kit which are not available as separate items and are therefore either not listed or a part number is not shown against the part description in this manual.

### Parts List Key

NOT USED	As a part, indicates the diagram part reference is not used in this manual.
<i>italics</i>	Kit components or parts included are shown in <i>italics</i> , refer to above notes: Kit Parts
NI	As a part reference, indicates the part is not illustrated on the diagram.

# TOP DECK AND ELECTRONICS



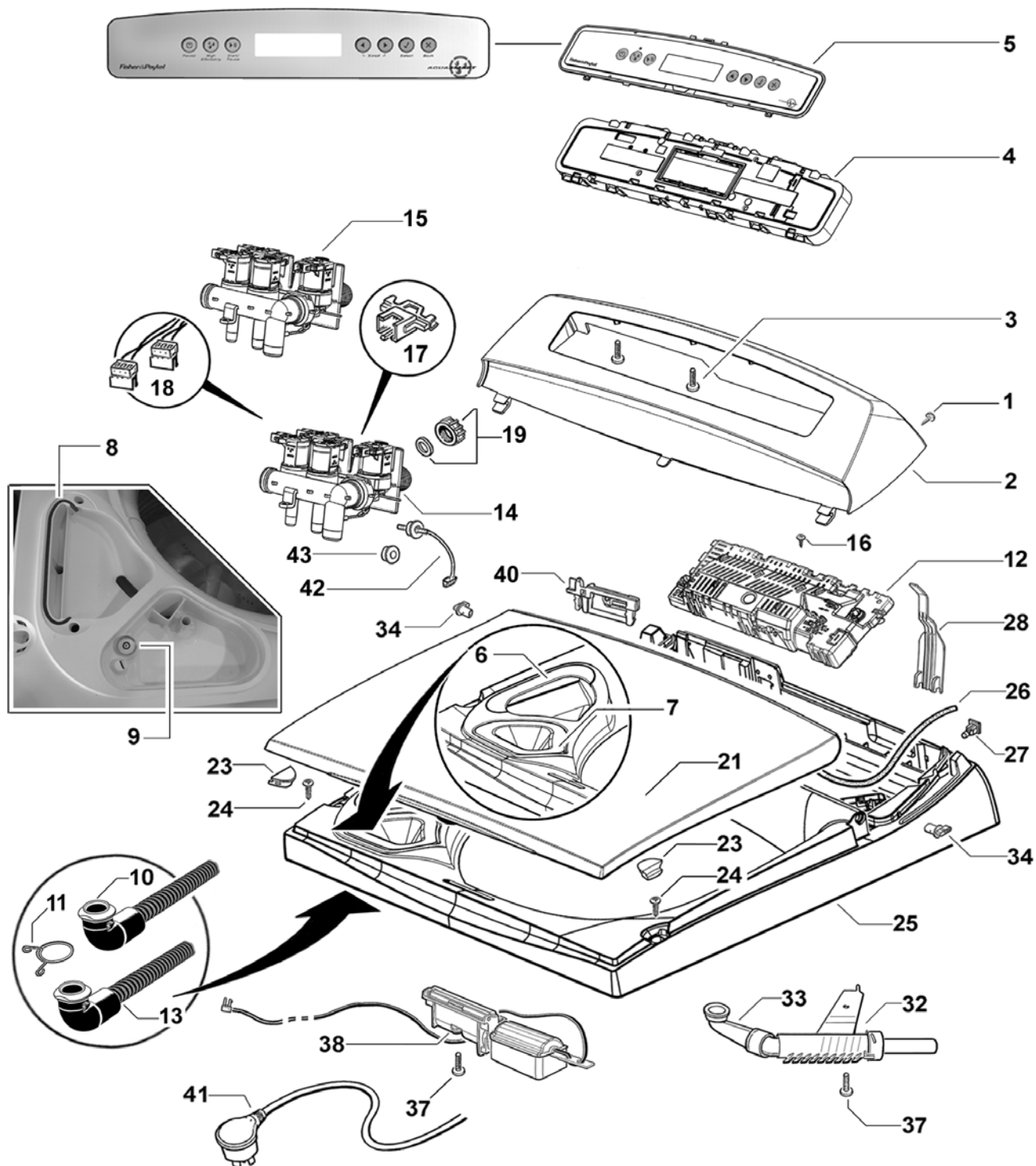
DWG000175

## TOP DECK AND ELECTRONICS

REF	PART	DESCRIPTION
1	611933P	SCREW ST 8X5/8 TA MTS PH ZNPL (PKT 10)
2	420958	CONSOLE MED AQS
3	611805P	SCREW ST 8X16 PLASTITE PAN PH (PKT 10)
4	478092P	MODULE DISPLAY AQS LCD BLH
5	420959P	FACIA IMD ASSY
	<i>Includes</i>	<i>PROTECTIVE LABEL</i>
6	421047	COVER DETERGENT FLUSHER KIT
	<i>Includes</i>	<i>GASKET DISPENSER DIA 3.0MM X155MM</i>
7	420912P	FUNNEL FABRIC SOFTENER
8		GASKET PART OF COVER DETERGENT FLUSHER KIT
9	420947	INDICATOR LEVEL DIA 18MMX9MM
10	421015P	HOSE DISP. DETERGENT CREAM
11	NOT USED	
12	421153NZP	MODULE MC 230V AQUASMART
13	420938P	HOSE DISP. SOFTENER GREY
14	420940P	VALVE INLET DISPENSING NZ/AU
	<i>Includes</i>	<i>CLIP RETAINING RAST CONNECTOR WHITE (2)</i>
	<i>Includes</i>	<i>CLIP RETAINING RAST CONNECTOR YELLOW (1)</i>
	<i>Includes</i>	<i>CLIP RETAINING RAST CONNECTOR PURPLE (1)</i>
	<i>Includes</i>	<i>THERMISTOR ASSY SD200 UL</i>
	<i>Includes 426752</i>	<i>SEAL THERMISTOR SS</i>
15	421045P	VALVE INLET DISP LOW PRESSURE NZ/AU
	<i>Includes</i>	<i>CLIP RETAINING RAST CONNECTOR WHITE (2)</i>
	<i>Includes</i>	<i>CLIP RETAINING RAST CONNECTOR YELLOW (1)</i>
	<i>Includes</i>	<i>CLIP RETAINING RAST CONNECTOR PURPLE (1)</i>
	<i>Includes</i>	<i>THERMISTOR ASSY SD200UL</i>
	<i>Includes 426752</i>	<i>SEAL THERMISTOR</i>
16	611986P	SCREW ST 8X20MM HILO PAN PH
17	421049P	CLIP RETAINING RAST DUAL VALVE KIT
	<i>Includes</i>	<i>CLIP RETAINING RAST CONNECTOR WHITE (2)</i>
	<i>Includes</i>	<i>CLIP RETAINING RAST CONNECTOR YELLOW (1)</i>
	<i>Includes</i>	<i>CLIP RETAINING RAST CONNECTOR PURPLE (1)</i>
18	420963	HARNESS DISPENSING INLET VALVE
19	388491P	CAP VALVE BLANKING
	<i>Includes 420017</i>	<i>CONNECTOR SEAL VALVE CAP</i>
21	426795P	LID M11 WHITE PKD
23	426793P	BUFFER LID SD11 (PKT 2)
24	611812P	SCREW ST 10X5/8 MSH PAN PH SS430 (PKT 10)

Continued next page

# TOP DECK AND ELECTRONICS

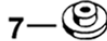
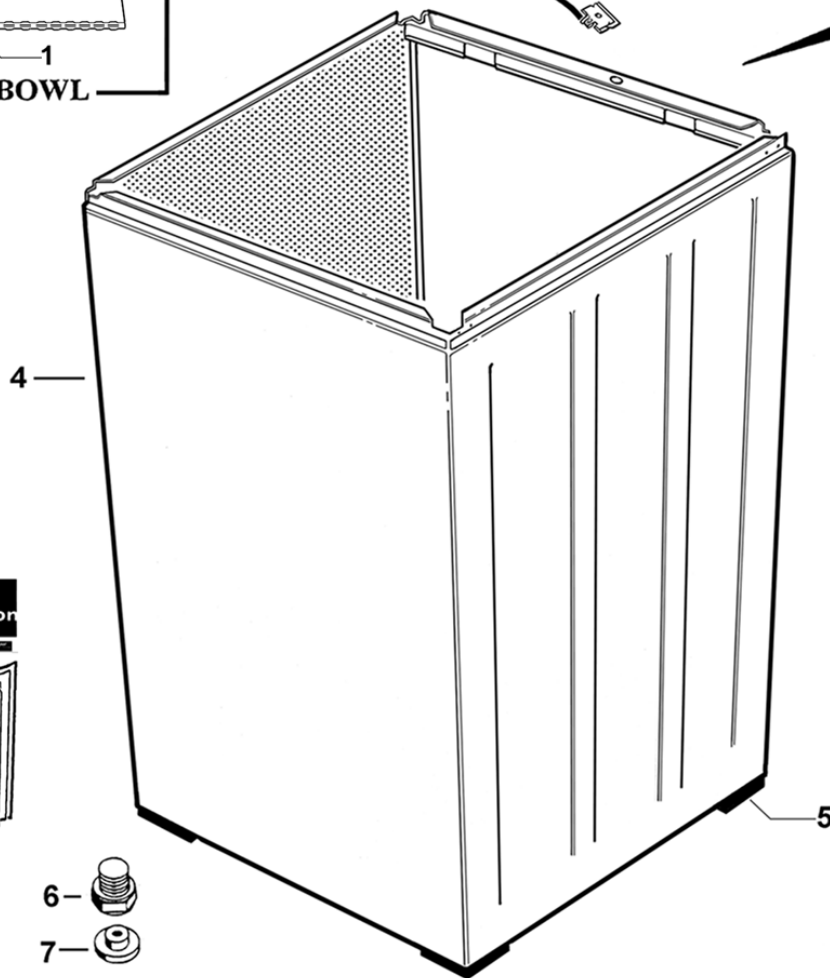
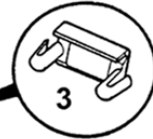
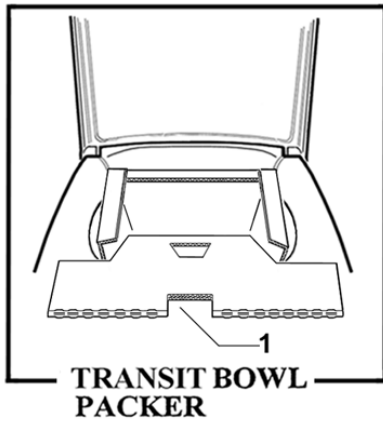


DWG000175

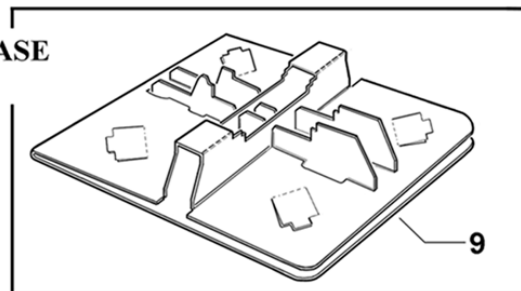
## TOP DECK AND ELECTRONICS

REF	PART	DESCRIPTION
25	421141P	TOP DECK MED DISPENSING ASSY
	<i>Includes</i>	TOP DECK MOULDING
	<i>Includes</i>	COVER DETERGENT FLUSHER
	<i>Includes</i>	GASKET DISPENSER DIA 3.0MM
	<i>Includes</i> 420738	CLAMP HARNESS TOP DECK
	<i>Includes</i> 420912	FUNNEL FABRIC SOFTENER
	<i>Includes</i> 420938	HOSE DISP. SOFTENER GREY
	<i>Includes</i> 421004	BUNG DISPENSER TOP DECK (2)
	<i>Includes</i> 421015	HOSE DISP. DETERGENT CREAM
	<i>Includes</i> 422402	NUT SNAP IN SPIRE P0071/05/01/00 (2)
	<i>Includes</i> 426825	HINGE LID SD11 (2)
26	426273P	GASKET CONSOLE FOAM CUT
27	422402P	NUT SNAP IN SPIRE P0071/05/01/00
28	420133	COVER WIRING TOPDECK SD11
32	420833P	NOZZLE SPRAY FILL ASSY
	<i>Includes</i>	CAP NOZZLE SPRAY FILL
	<i>Includes</i>	NOZZLE SPRAY FILL
	<i>Includes</i>	PISTON NOZZLE SPRAY FILL
	<i>Includes</i>	SPRING FILL NOZZLE
33	425974	ELBOW NOZZLE SD3
34	426825P	HINGE LID SD11 (PKT 2)
37	611811P	SCREW ST 8X1/2 PAN PH PLASTITE SS (PKT 10)
38	420700P	LIDLOCK ASSEMBLY SD14
40	420738P	CLAMP HARNESS TOP DECK
41	420826	CORD SET SD AA STRAIN RELIEF
42	479193P	KIT THERMISTOR & SEAL UL
	<i>Includes</i> 426949	THERMISTOR ASSY SD200 UL
	<i>Includes</i> 426752	SEAL THERMISTOR SS
	<i>Includes</i> 479165	LEAFLET THERMISTOR SD200
43	426752P	SEAL THERMISTOR SS

# WRAPPER CABINET



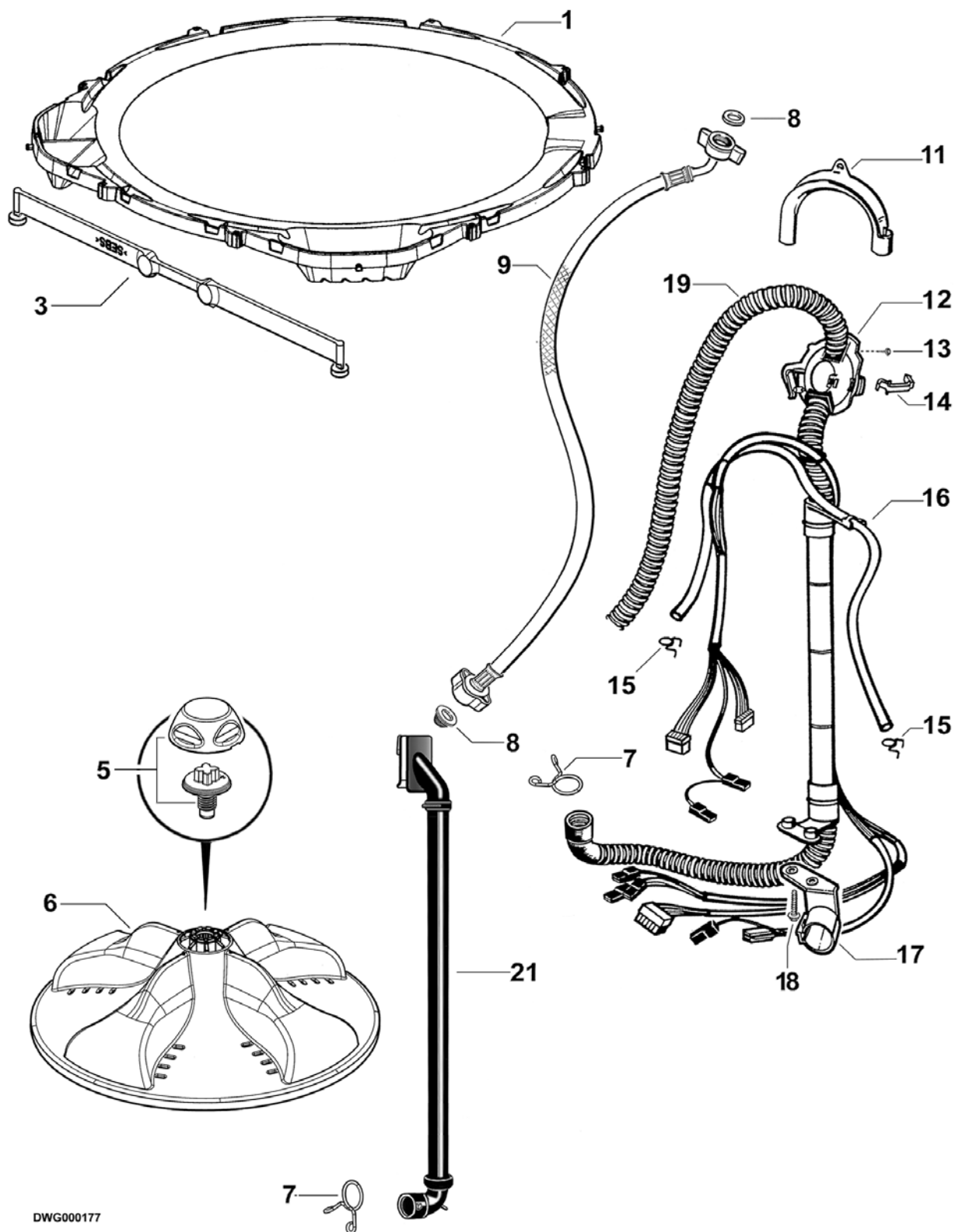
**TRANSIT BASE  
PACKER**



## WRAPPER CABINET

REF	PART	DESCRIPTION
1	421142	PACKER BOWL MED AQUASMART
2	420877	WIRE CABINET EARTH RFI CHOKE
3	426058	COVER EARTH CLIP
4	478023P	WRAPPER ASSY 600 WHITE PKD
	<i>Includes 426153</i>	<i>FOOT LEVELLING (4)</i>
	<i>Includes 426657</i>	<i>CORNER CABINET BOTTOM (4)</i>
5	426657	CORNER CABINET BOTTOM
6	472969P	KIT FOOT & INSERT
	<i>Includes</i>	<i>FOOT LEVELLING</i>
	<i>Includes</i>	<i>INSERT FOOT</i>
7	479183	INSERT FOOT (PKT 4)
9	478039	PACKER BASE M LOCAL
10	479273	KIT CATCH LID
	<i>Includes</i>	<i>CATCH LID PARTIAL OPENING</i>
	<i>Includes</i>	<i>TAPE FOAM DIE CUT 46X40X1</i>
	<i>Includes</i>	<i>LEAFLET INSTALLATION CATCH LID</i>
11	479314	CARD WARRANTY REGISTRATION ALL PRODUCT
12	421168	BOOKLET USE & CARE LCD/LED AQS
NI	420956	CARTON MED SMARTPAC

# AGITATOR AND HOSES

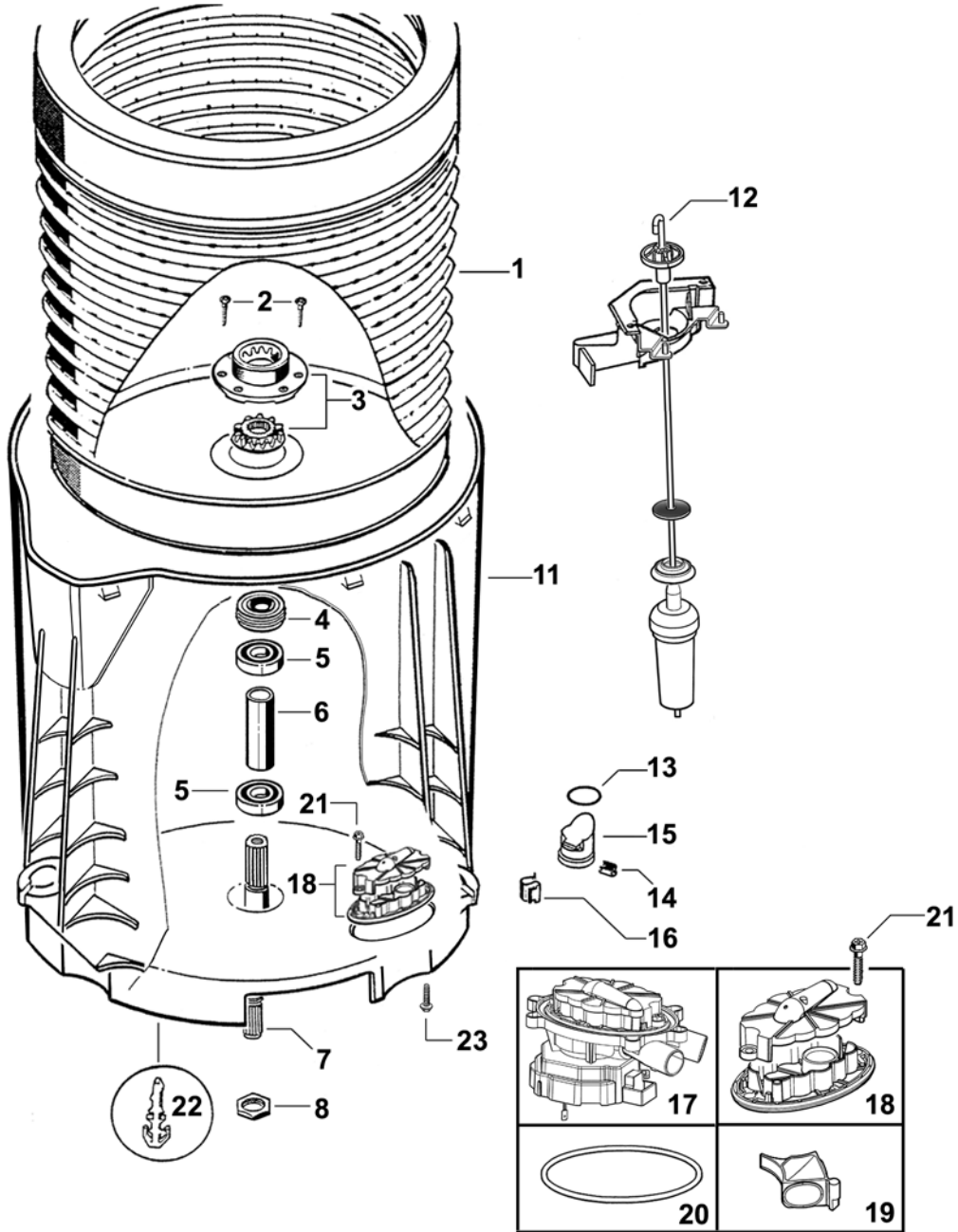


DWG000177

## AGITATOR AND HOSES

REF	PART	DESCRIPTION
1	421156	NECKRING KIT MED
	<i>Includes</i>	<i>NECKRING MED DISPENSER MOULDED</i>
	<i>Includes 420978</i>	<i>STRAP MOULDED STRAIGHT (4)</i>
3	420978P	STRAP MOULDED STRAIGHT (PKT 4)
5	421040P	CAP & BOLT KIT PKD
	<i>Includes</i>	<i>CAP AGITATOR LP</i>
	<i>Includes</i>	<i>BOLT AGITATOR LP</i>
6	421039	AGITATOR LP KIT
	<i>Includes 421040</i>	<i>CAP AGITATOR LP &amp; BOLT AGITATOR LP</i>
7	420677	CLAMP HOSE DIA 33 SAFE
8	420016P	KIT FILTER / CONNECTOR SEAL (2 EACH)
	<i>Includes 420016</i>	<i>FILTER INLET MIFLEX (2)</i>
	<i>Includes 420017</i>	<i>CONNECTOR SEAL MIFLEX (2)</i>
9	420375P	HOSE INLET ASSY MIFLEX II (10MM ID)
	<i>Includes</i>	<i>FILTER INLET PLASTIC</i>
	<i>Includes</i>	<i>CONNECTOR SEAL(2)</i>
	422680P	HOSE INLET LONG (2MX10MM ID) PKD
	<i>Includes 420016</i>	<i>FILTER INLET MIFLEX</i>
	<i>Includes 420017</i>	<i>CONNECTOR SEAL MIFLEX (2)</i>
11	422808P	GUIDE OUTLET HOSE
12	426455	FIXTURE DRAIN HOSE
13	611933P	SCREW ST 8X5/8 TA MTS PH H5 (PKT 10)
14	425487	CLIP FIXTURE DRAIN HOSE
15	425611	CLAMP HOSE 08.5 TALL GRIP
16	425085	TUBE PRESSURE SENSOR
17	425503	BRACKET DRAIN HOSE
18	420748P	SCREW ST 1/4 X 1.25" PLASTITE (PKT 10)
19	420676	HOSE & HARNESS ASSY SD14
21	420514	HOSE RECIRC ASSY SD14

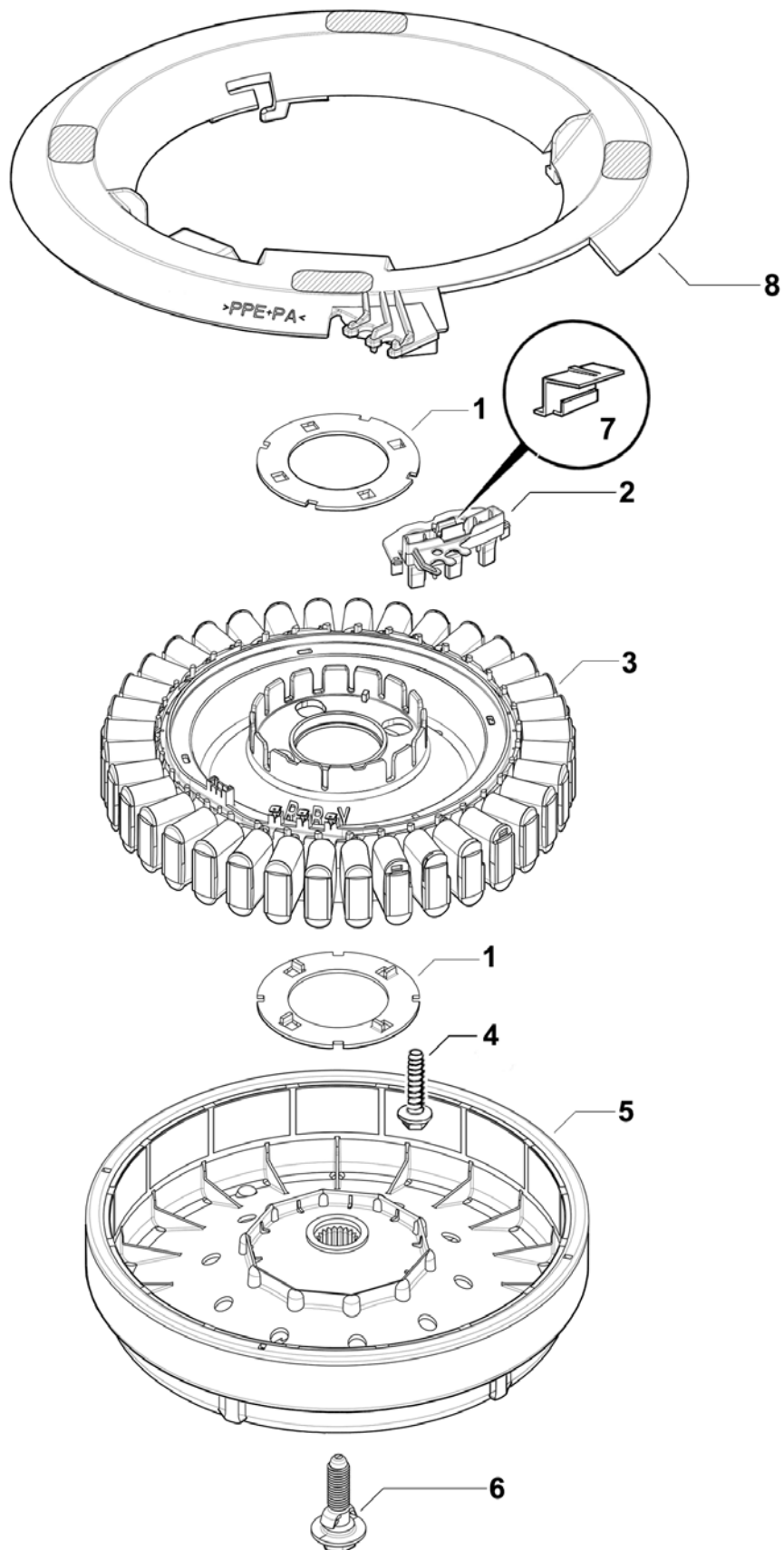
# INNER & OUTER BOWLS AND DRAIN PUMP



## INNER AND OUTER BOWLS AND PUMP

REF	PART	DESCRIPTION
1	421152P	BOWL INNER MED ASSY PKD
	<i>Includes 425080</i>	<i>SPLINE DRIVEN</i>
	<i>Includes 425131</i>	<i>SCREW CLUTCH (3)</i>
	<i>Includes 425596</i>	<i>SPLINE DRIVE ASSY</i>
2	425131P	SCREW CLUTCH (PKT 10)
3	479318	KIT SPLINE DRIVE
	<i>Includes 425080</i>	<i>SPLINE DRIVEN</i>
	<i>Includes 425596</i>	<i>SPLINE DRIVE ASSY</i>
4	425009P	LIPSEAL PKD
5	425006P	BEARING 6005 2RSH/C3 PKD
6	425007	SPACER BEARING
7	420794P	SHAFT DRIVE INTERNAL THREAD KIT
	<i>Includes 420664</i>	<i>BOLT ROTOR</i>
	<i>Includes 420665</i>	<i>BOLT AGITATOR ( Not Required or Used for this Model )</i>
8	425171	NUT BEARING
11	421158	BOWL OUTER ASSY MED KIT AQS PKD
	<i>Includes</i>	<i>BOWL OUTER ASSY MED</i>
	<i>Includes 472867</i>	<i>CLIP WIRING OUTER BOWL (3)</i>
	<i>Includes 613709</i>	<i>CLIP PIPE UNITED CARR FT19280-ZNPL</i>
	<i>Includes 425763</i>	<i>PLUG ASSEMBLY PRESSURE CHAMBER</i>
	<i>Includes 613710</i>	<i>CLIP EDGE (2)</i>
	<i>Includes 425006</i>	<i>BEARING 6005 2RSH/C3 (2)</i>
	<i>Includes 425007</i>	<i>SPACER BEARING</i>
	<i>Includes 425009</i>	<i>LIPSEAL</i>
12	421127P	SUSPENSION KIT AQUASMART (PKT 4)
13	425149	SEAL O RING PRESSURE CHAMBER
14	613710P	CLIP EDGE (PKT 2)
15	425763	PLUG ASSY PRESSURE CHAMBER
	<i>Includes 425097</i>	<i>PLUG PRESSURE CHAMBER</i>
	<i>Includes 425149</i>	<i>SEAL O RING PRESSURE CHAMBER</i>
16	613709P	CLIP PIPE UNITED CARR FT19280-ZNPL (PKT 10)
17	479417	PUMP (SMART PUMP) ASSEMBLY KIT
	<i>Includes</i>	<i>SMART PUMP ASSY</i>
	<i>Includes 421124P</i>	<i>SEAL PUMP D PROFILE</i>
	<i>Includes 421030</i>	<i>COVER CONNECTOR PUMP</i>
18	479418	HOOD AND CAP (SMART PUMP) KIT
19	420403	VALVE FLAPPER (SMART PUMP)
20	479420	SEAL (SMART PUMP) HOUSING PKD
	<i>Includes 421124P</i>	<i>SEAL PUMP D PROFILE</i>
21	425162P	SCREW COVER (PKT 10)
22	472867P	CLIP WIRING OUTER BOWL (PKT 3)
23	425150P	SCREW 1/4 X 1 PLASTITE 60 (PKT 10)

# MOTOR



**MOTOR**

<b>REF</b>	<b>PART</b>	<b>DESCRIPTION</b>
1	426174P	CLAMP PLATE STATOR LANCED (PAIR)
2	420776P	RPS SD PH7 SPARES
	<i>Includes 420773</i>	<i>COVER TERMINAL RAST</i>
3	420775P	STATOR ASSEMBLY PKD
4	426835P	SCREW STATOR (PKT 10)
5	420774P	ROTOR ASSEMBLY PKD
	<i>Includes 420664</i>	<i>BOLT ROTOR</i>
6	420664P	BOLT ROTOR
7	420773	COVER TERMINAL RAST
8	421094	SHIELD MOTOR UL