

# **PARTS MANUAL**

**Frontloading Washing Machine**

WH8560J2 FP AA

Product Code  
**92231-A**

**AU NZ**

***Fisher & Paykel***

# CONTENTS

---

INTRODUCTION	2
CABINET COMPONENTS	3
CONTROL PANEL COMPONENTS	5
DOOR COMPONENTS	7
DISPENSERS & WIRING COMPONENTS	9
DRUM COMPONENTS	11

# INTRODUCTION

---

<b>BRAND</b>	<b>VOLTAGE</b>	<b>MODEL</b>	<b>PRODUCT CODE</b>
Fisher & Paykel	220-240V 50Hz	WH8560J2 FP AA	92231-A

---

## MODELS

The models covered by this manual are listed on the front cover. The information detailed in this manual is subject to change without notice. The latest version is indicated by the reprint date and replaces any earlier editions.

## KIT PARTS

Kit components are shown in italics. Where a part number is shown against the descriptions for these kit components, they are also available as separate items. In addition, some parts may be supplied with these kits that are not available as separate items, and are therefore either not listed, or a part number is not shown against the part description in this manual.

## PARTS LIST KEY

<b>ITALICS</b>	Kit components or parts included are shown in italics. Refer to above notes: Kit Parts.
<b>NI</b>	As a part reference, indicates the part is not illustrated on the diagram.
<b>NOT USED</b>	As a part number, indicates the diagram part reference is not used in this manual.
<b>NS</b>	As a part number, indicates the part is not servicable.

---

## NZ

Fisher & Paykel Appliances Ltd  
78 Springs Road, East Tamaki  
Manukau 2013  
PO Box 58-546 Botany  
Manukau 2163  
New Zealand

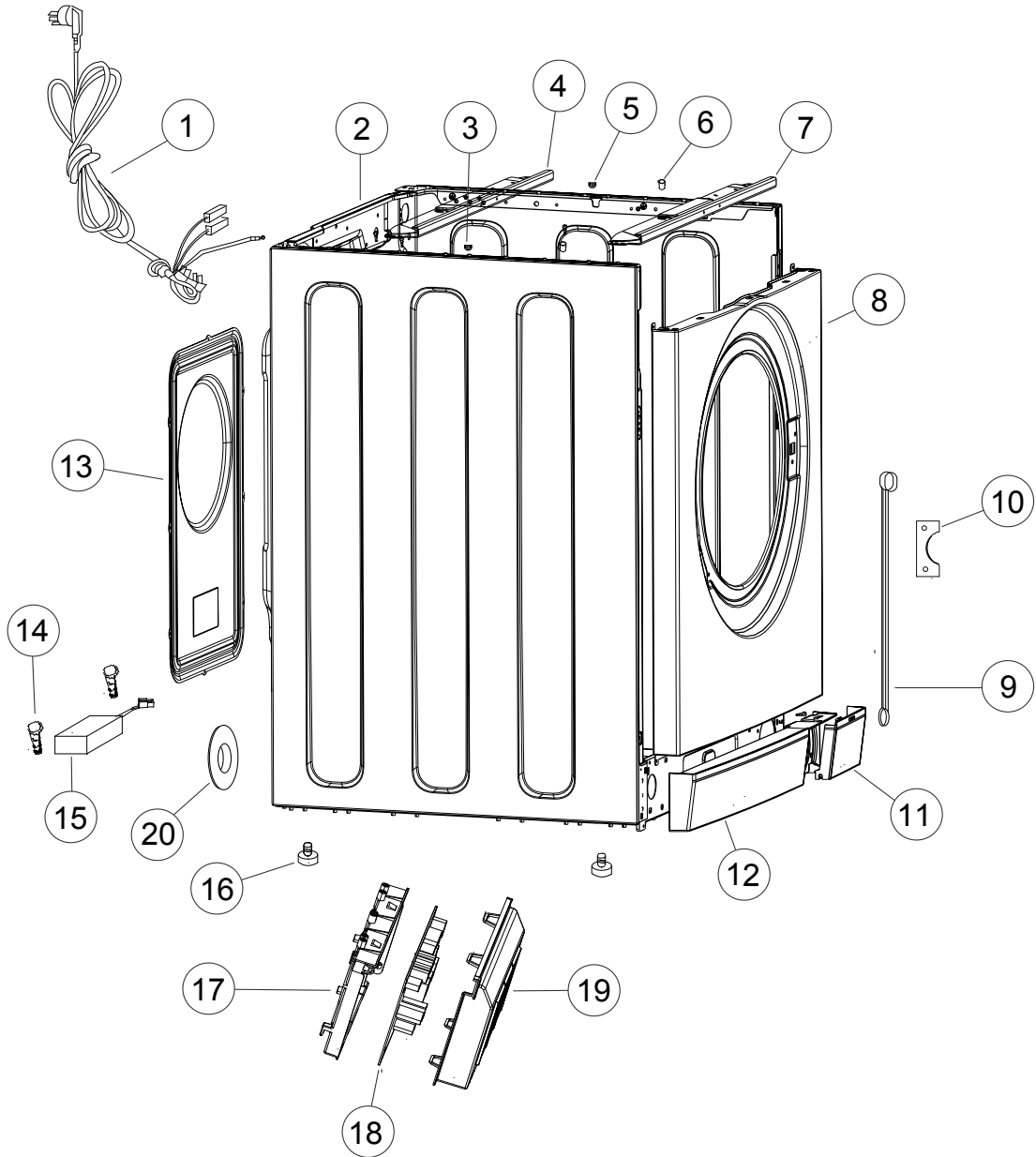
tel: 09 273 0600  
fax: 09 273 0656  
e-mail: nz.customer@fisherpaykel.com

## AU

Fisher & Paykel Customer Services Pty Ltd  
PO Box 798, Cleveland, QLD 4163  
A.C.N. 003 3335 171  
19 Enterprise Street  
Cleveland, QLD 4163  
Australia

tel: 07 3826 9100  
fax: 07 3826 9164  
e-mail: aus.customer@fisherpaykel.com

# CABINET COMPONENTS

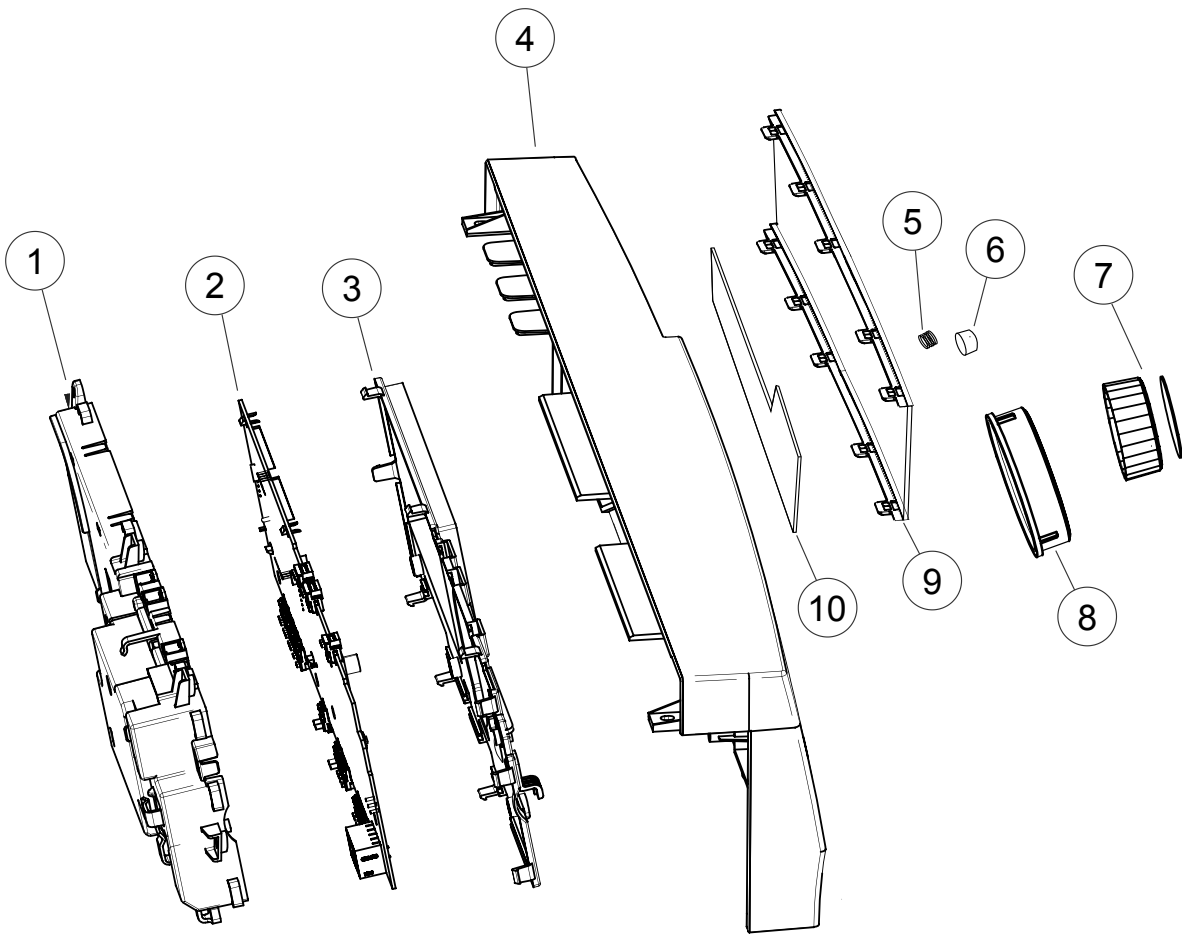


DWG002957 - FEBRUARY 2013

## CABINET COMPONENTS

REFERENCE	PART NUMBER	PART DESCRIPTION
1	H0020400196F	MAINS CABLE
2	H0020100617N	CABINET
3	H00214800503000	BRACKET LH SUSPENSION SPRING
4	H0020100812A	BRACKET MAIN BEAM
5	H0020203391	BRACKET RH SUSPENSION SPRING
6	H0020200290	GUIDE TOP COVER
7	H0020103067	BRACKET FRONT
8	H0020100852	PANEL FRONT
9	H0020202683A	LEVER DOOR LOCK
10	H0020102938C	BRACKET DOOR MOUNTING
11	H0020204110	DOOR PUMP FILTER
12	H0020204109	PANEL KICK STRIP
13	H0020100505N	PANEL REAR COVER
14	H0020600166	SCREW MOTOR INDUCTOR
15	H0024000152B	INDUCTOR MOTOR
16	H0020300170A	FOOT
17	H0020203589	HOUSING A MOTOR CONTROLLER
18	H0021800035	PCB MOTOR CONTROLLER
19	H0020203590	HOUSING B MOTOR CONTROLLER
20	H0020204516	DRAIN HOSE HOLDER
NI	H0020507338	BOOK USE & CARE WH7560/8560 AW

# CONTROL PANEL COMPONENTS



DWG002956 - FEBRUARY 2013

## CONTROL PANEL COMPONENTS

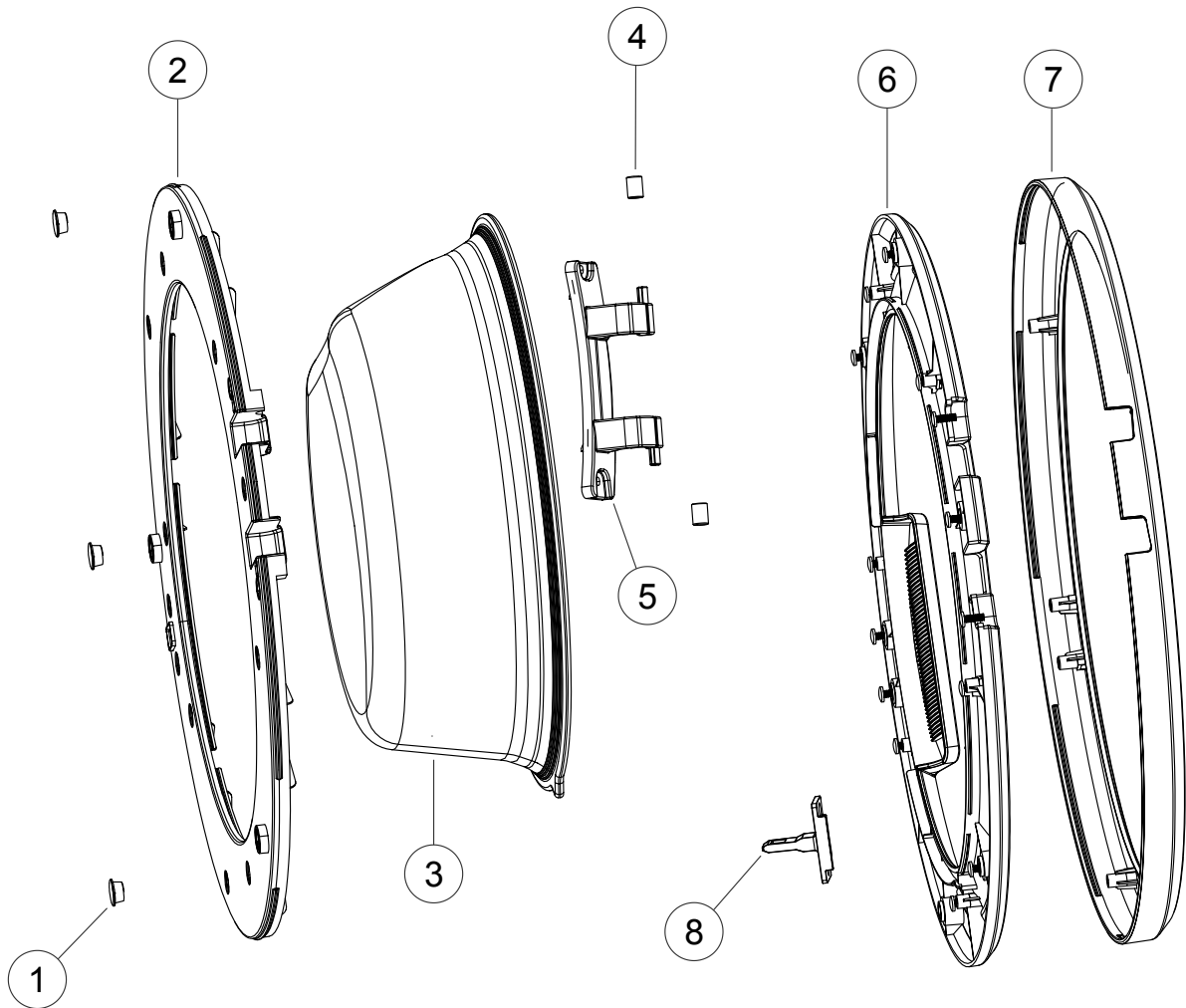
---

REFERENCE	PART NUMBER	PART DESCRIPTION
1	H0180200154	HOUSING DISPLAY CONTROLLER A
2	H0021800040FL	PCB DISPLAY CONTROLLER
3	H0180200155	HOUSING DISPLAY CONTROLLER B
4	H0020204017	PANEL DISPLAY CONTROLLER
5	H0020102832	SPRING
6	H0180500300	BUTTON POWER
7	H0020808449	KNOB
8	H0180200162	LIGHT GUIDE
9	H0020507259C	PANEL TOUCH
10	H0021800047B	PCB BUTTON TOUCH

---

# DOOR COMPONENTS

---



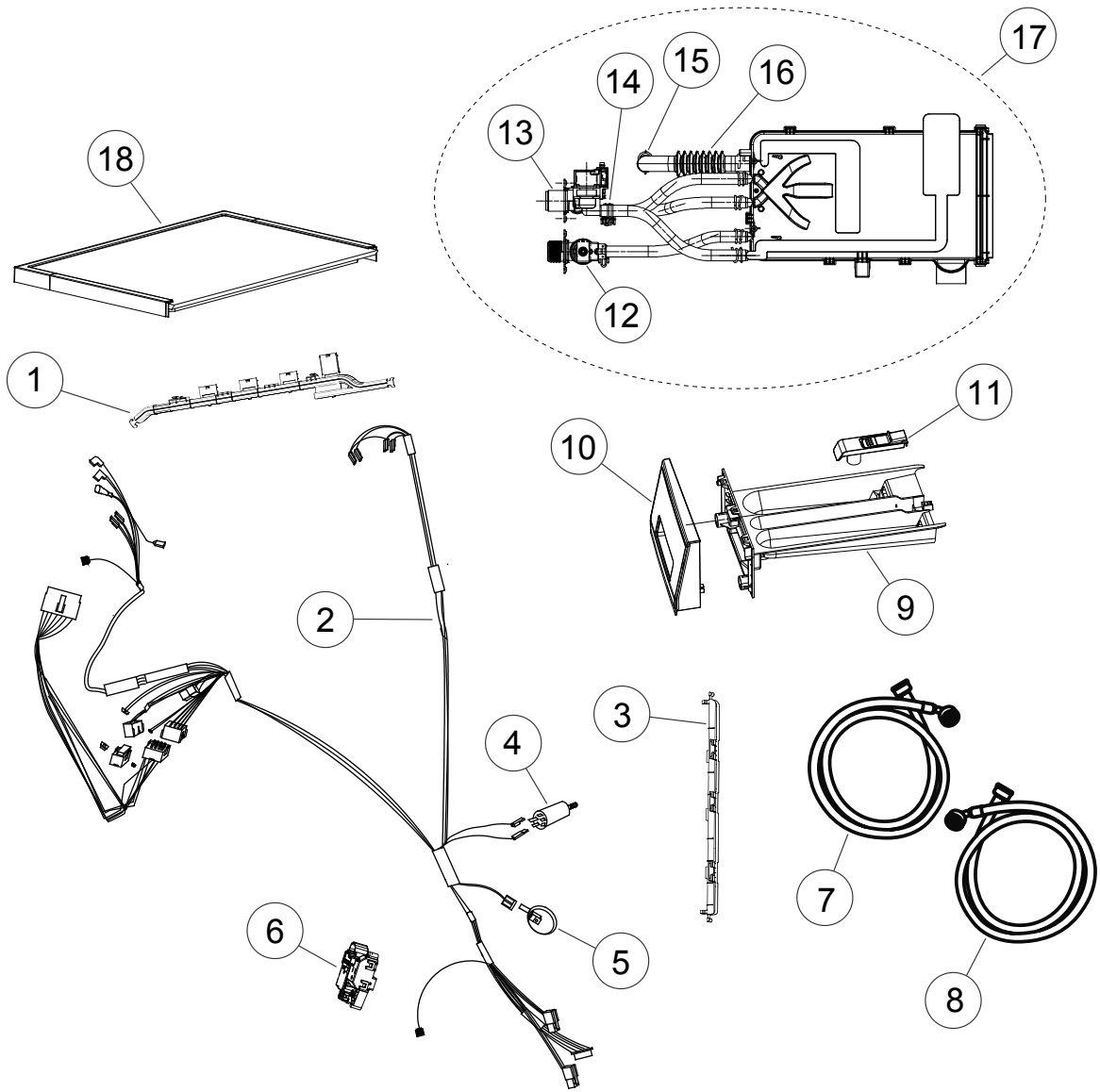
DWG002958 - FEBRUARY 2013

## DOOR COMPONENTS

---

REFERENCE	PART NUMBER	PART DESCRIPTION
1	H0020300740	BUFFER DOOR INNER
2	H0020204108	COVER INNER DOOR
3	H0021400012	PORTHOLE DOOR
4	H0020201212	CAP HINGE ASSEMBLY
5	H0020100677	HINGE
6	H0020204107	COVER MIDDLE OF DOOR
7	H0020204106	COVER OUTER DOOR
8	H0020100284A	HOOK DOOR LATCH

# DISPENSERS & WIRING COMPONENTS

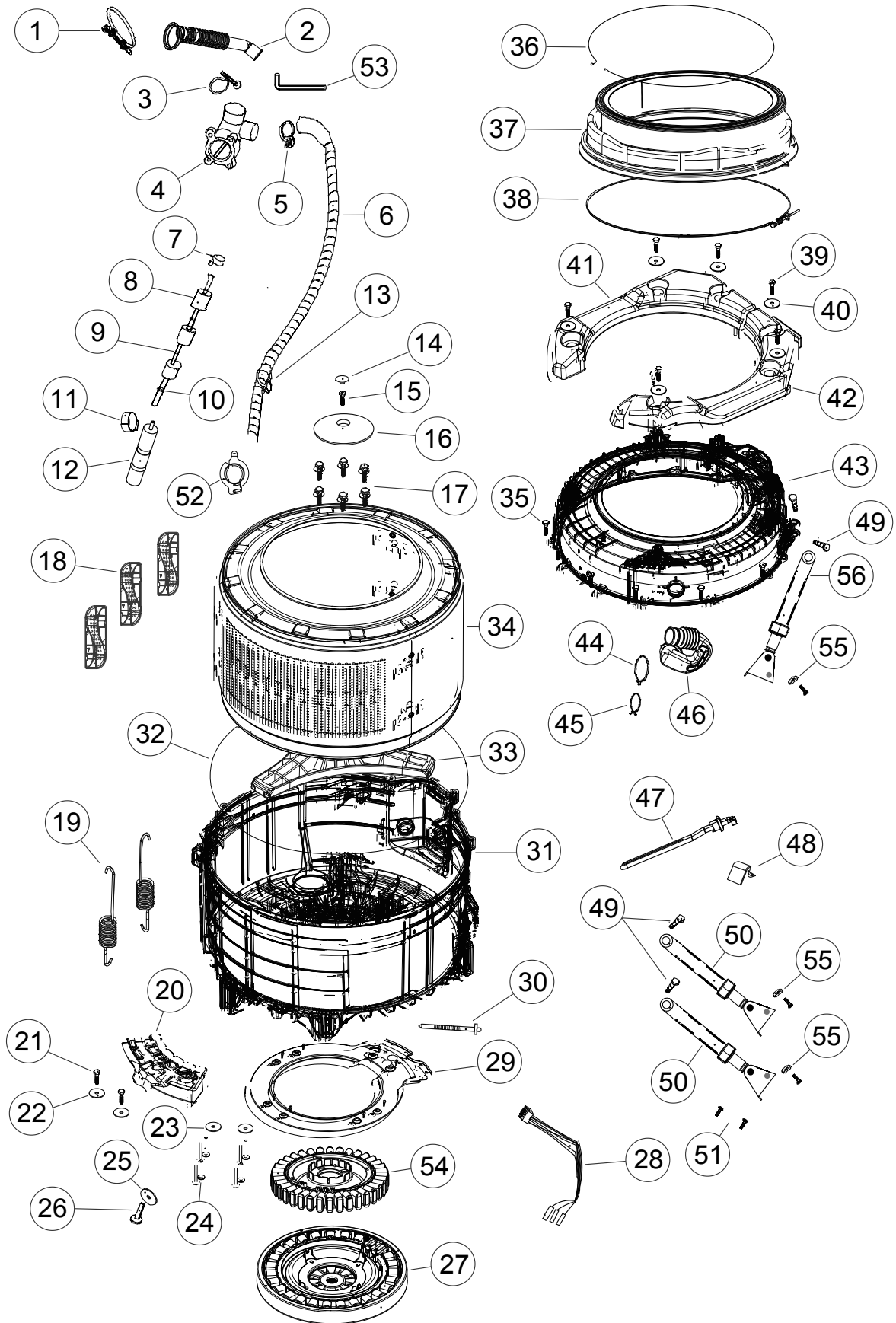


DWG003888

## DISPENSERS & WIRING COMPONENTS

REFERENCE	PART NUMBER	PART DESCRIPTION
1	H0020203373	GUIDE LH SIDE MAIN HARNESS
2	H0020400270E	HARNESS MAIN
3	H0020203374	GUIDE MAIN HARNESS CHASSIS
4	H0024000247B	FILTER RFI
5	H0024000317	PRESSURE SENSOR
6	H0024000128A	DOOR LOCK
7	H0020300158A	HOSE INLET AW COLD
8	H0020300159A	INLET HOSE (HOT)
9	H0020205098	DISPENSER
10	H0020808608C	HANDLE DISPENSER 7560 & 8560 P
11	H0020205097	SYPHON DISPENSER
12	H0024000140A	HOT WATER VALVE
13	H0024000126D	COLD WATER VALVE
14	H00218230700611A	CLIP VALVE ASSY
15	H00218870330611A	CLAMP INLET HOSE
16	H0020300872	HOSE BREATHER
17	H0020810355B	STORAGE TANK ASSY
18	H0020807968K	TOP COVER

# DRUM COMPONENTS



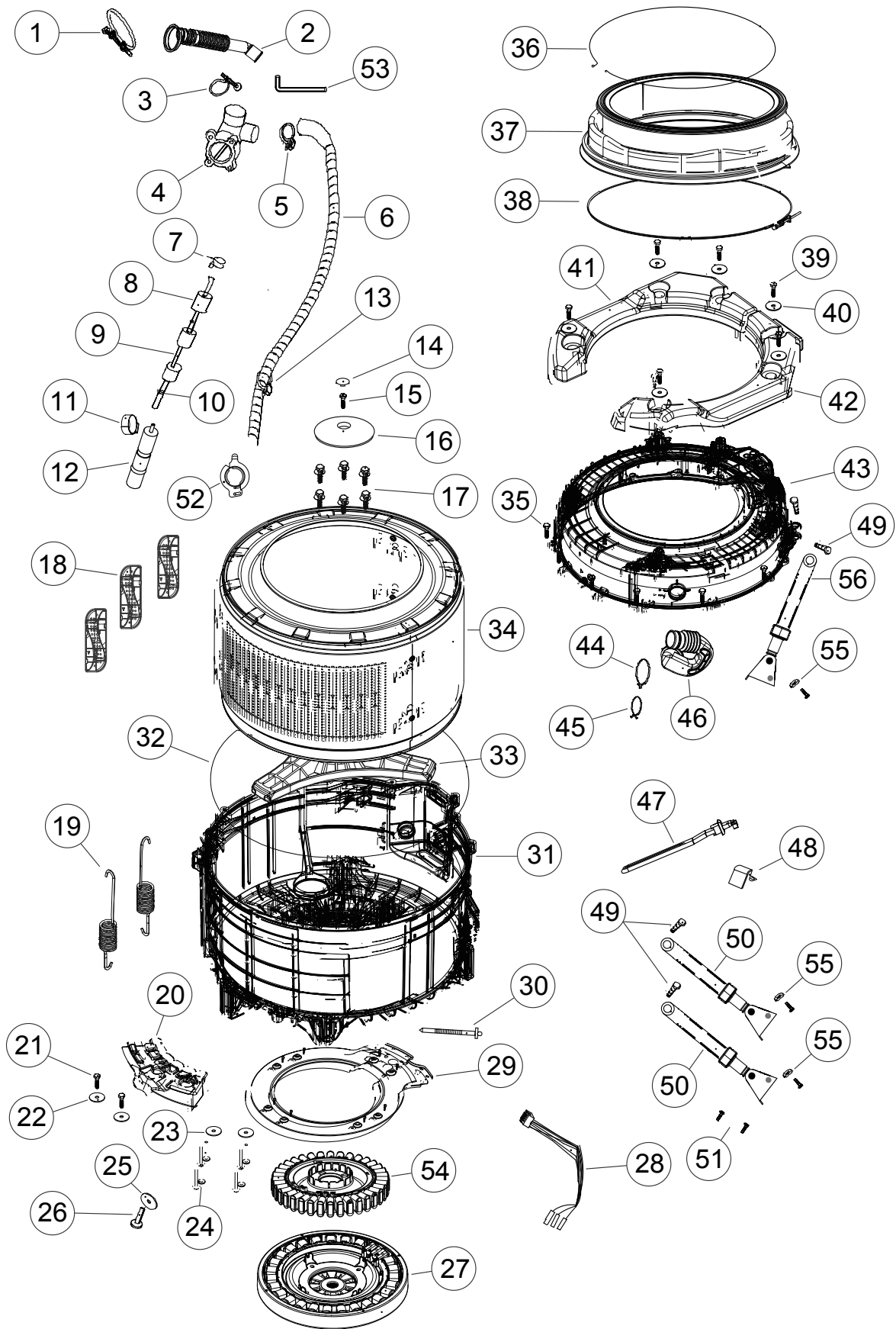
DWG003410 - JULY 2014

DWG 003410

## DRUM COMPONENTS

REFERENCE	PART NUMBER	PART DESCRIPTION
1	H00297023000100A	CLAMP TUB PUMP HOSE
2	H0020300387A	HOSE TUB PUMP
3	H00215200294400A	CLAMP HOSE PUMP TO TUB
4	H0022150033660401D	PUMP
5	H0020600050A	CLAMP DRAIN HOSE
6	H0020300148	HOSE DRAIN
7	H00218210650611A	CLAMP PRESSURE TUB TO SENSOR
8	H00212500011100	SPONGE PRESSURE TUB
9	H00214401362902A	TUBE PRESSURE
10	H00211320015200A	CLAMP PRESSURE TUB TO AIR BELL
11	H00215200004402	CLIP AIR BELL
12	H0020202906	AIR BELL
13	H00221120363014	CLIP DRAIN HOSE
14	H0020203100	CAP DRUM COVER SCREW
15	H00330057500A	SCREW DRUM COVER
16	H0020201869	COVER DRUM REAR
17	H001A5002318	BOLT DRUM
18	H0020203152A	DRUM VANE
19	H0020600214	SPRING TUB SUSPENSION
20	H0020300793	COUNTER WEIGHT REAR
21	H0020600285	BOLT COUNTER WEIGHT
22	H0020600147A	WASHER COUNTER WEIGHT
23	H0030600168	WASHER STATOR
24	H00330812004A	SCREW STATOR
25	H0020600287	WASHER ROTOR
26	H0020600286	BOLT ROTOR
27	H0024000329	ROTOR
28	H0020400087E	HARNESS MOTOR
29	H0020100792A	SHIELD FLAME
30	H00214800909100	CLIP HARNESS
31	H0020808199C	TUB REAR (BEARING SEAL & SHAFT FITTED)
32	H0020300510	SEAL TUB

# DRUM COMPONENTS



DWG003410 - JULY 2014

DWG 003410

## DRUM COMPONENTS

REFERENCE	PART NUMBER	PART DESCRIPTION
33	H0020100746	SPIDER DRUM
34	H0020808261A	DRUM WH8560J1
35	H00215100001000	BOLT TUB FASTENER
36	H0020600081	CLAMP DOOR BELLOWS
NI	H00214800021100	DOOR CLAMP NUT NYLON
37	H0020300590D	BELLOWS
38	H0020600211A	CLAMP TUB BELLOWS
39	H0020600285	BOLT COUNTER WEIGHT
40	H0020600147A	WASHER COUNTER WEIGHT
41	H0020300792	COUNTER WEIGHT (L)
42	H0020300792A	COUNTER WEIGHT (R)
43	H0020203541A	TUB FRONT
44	H00211320018800A	CLAMP HOSE TUB DISPENSER
45	H00218230460611A	CLAMP DISPENSER HOSE
46	H0020300797	HOSE DISPENSER TUB
47	H0024000279	ELEMENT HEATER
48	H0020100432	BRACKET HEATER
49	H0020202225	PIN SHOCK ABSORBER
50	H0020600247	SHOCK ABSORBER (80N)
51	H00217220540008A	BOLT SHOCK ABSORBER
52	H00221120363014	CLAMP HOSE DRAIN PUMP
53	H0020300379A	HOSE PUMP DRAIN
54	H0024000329A	STATOR
55	H00215000035200	WASHER STEEL
56	H0020600213	ASORBER SHOCK
NI	H0020100654	SPANNER INSTALLATION
NI	H0020809962	TRANSIT BOLT

[www.fisherpaykel.com](http://www.fisherpaykel.com)

Copyright © Fisher & Paykel Appliances Ltd 2016. All rights reserved.  
The product specifications in this manual apply to the specific model described at the date of issue. Under our policy of continuous product improvement, these specifications may change at any time. Only use this manual if the product code on the front matches the product code on the serial label of the product.

**AU NZ**

**PRODUCT CODE: 92231-A 02.16**