

PARTS MANUAL

WashSmart Eco™ Washer

WA8560E1 FP AA

Product Code
92245-A

AU NZ

Fisher & Paykel

CONTENTS

INTRODUCTION	2
TOP DECK & ELECTRONICS	3
WRAPPER	5
INNER & OUTER BOWL	7
MOTOR, PUMP & DRIVE	9

INTRODUCTION

BRAND	VOLTAGE	MODEL	PRODUCT CODE
Fisher & Paykel	220-240V 50Hz	WA8560E1 FP AA	92245-A

MODELS

- The models covered by this manual are listed on the front cover.
- The information detailed in this manual is subject to change without notice. The latest version is indicated by the reprint date and replaces any earlier editions.

KIT PARTS

Kit components are shown in italics. Where a part number is shown against the descriptions for these kit components, they are also available as separate items. In addition, some parts may be supplied with these kits that are not available as separate items, and are therefore either not listed, or a part number is not shown against the part description in this manual.

PARTS LIST KEY

ITALICS	Kit components or parts included are shown in italics. Refer to above notes: Kit Parts.
NI	As a part reference, indicates the part is not illustrated on the diagram.
NOT USED	As a part number, indicates the diagram part reference is not used in this manual.
NS	As a part number, indicates the part is not servicable.

NZ

Fisher & Paykel Appliances Ltd
78 Springs Road, East Tamaki
Manukau 2013
PO Box 58-546 Botany
Manukau 2163
New Zealand

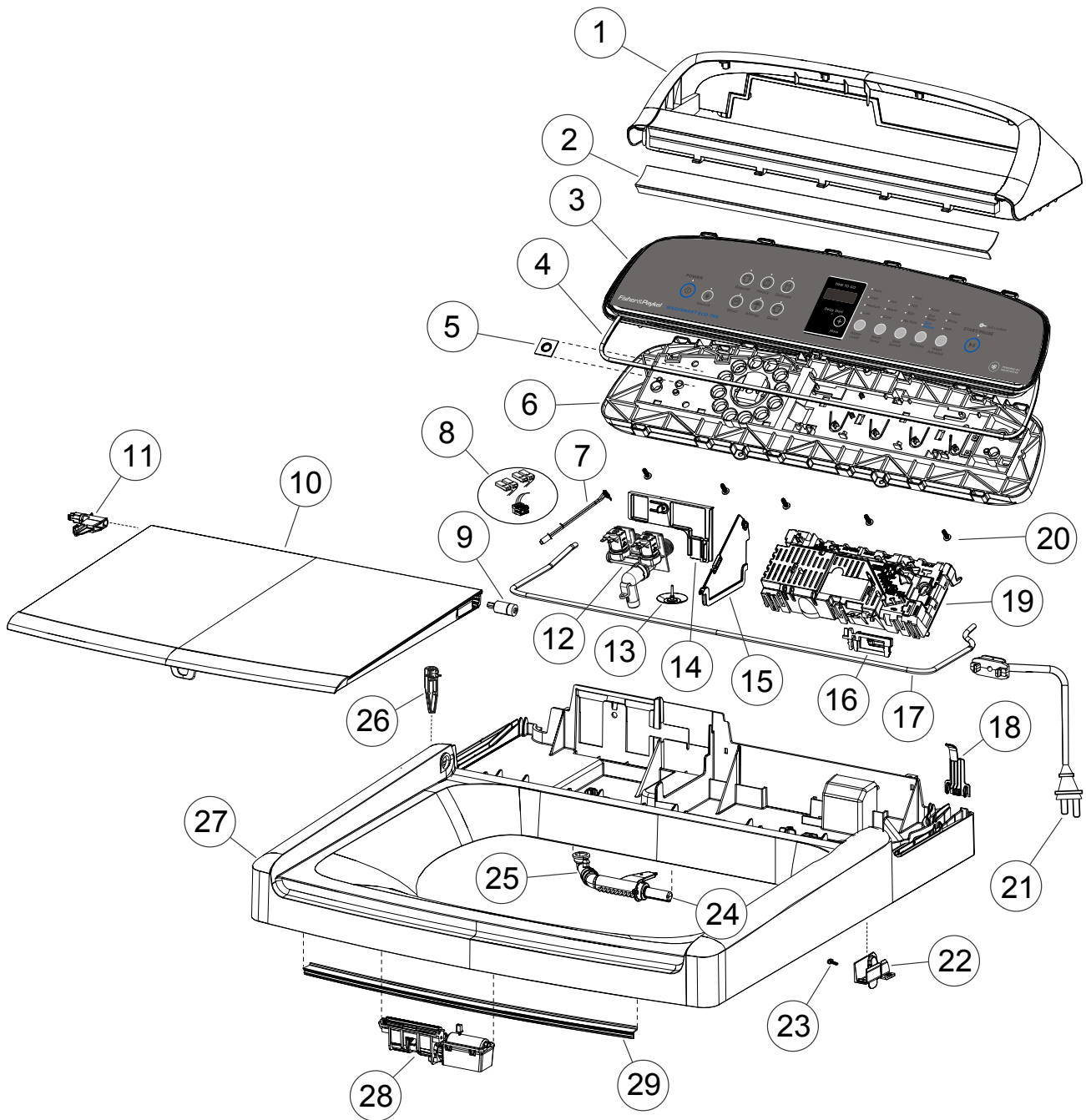
tel: 09 273 0600
fax: 09 273 0656
e-mail: nz.customer@fisherpaykel.com

AU

Fisher & Paykel Customer Services Pty Ltd
PO Box 798, Cleveland, QLD 4163
A.C.N. 003 3335 171
19 Enterprise Street
Cleveland, QLD 4163
Australia

tel: 07 3826 9100
fax: 07 3826 9164
e-mail: aus.customer@fisherpaykel.com

TOP DECK & ELECTRONICS



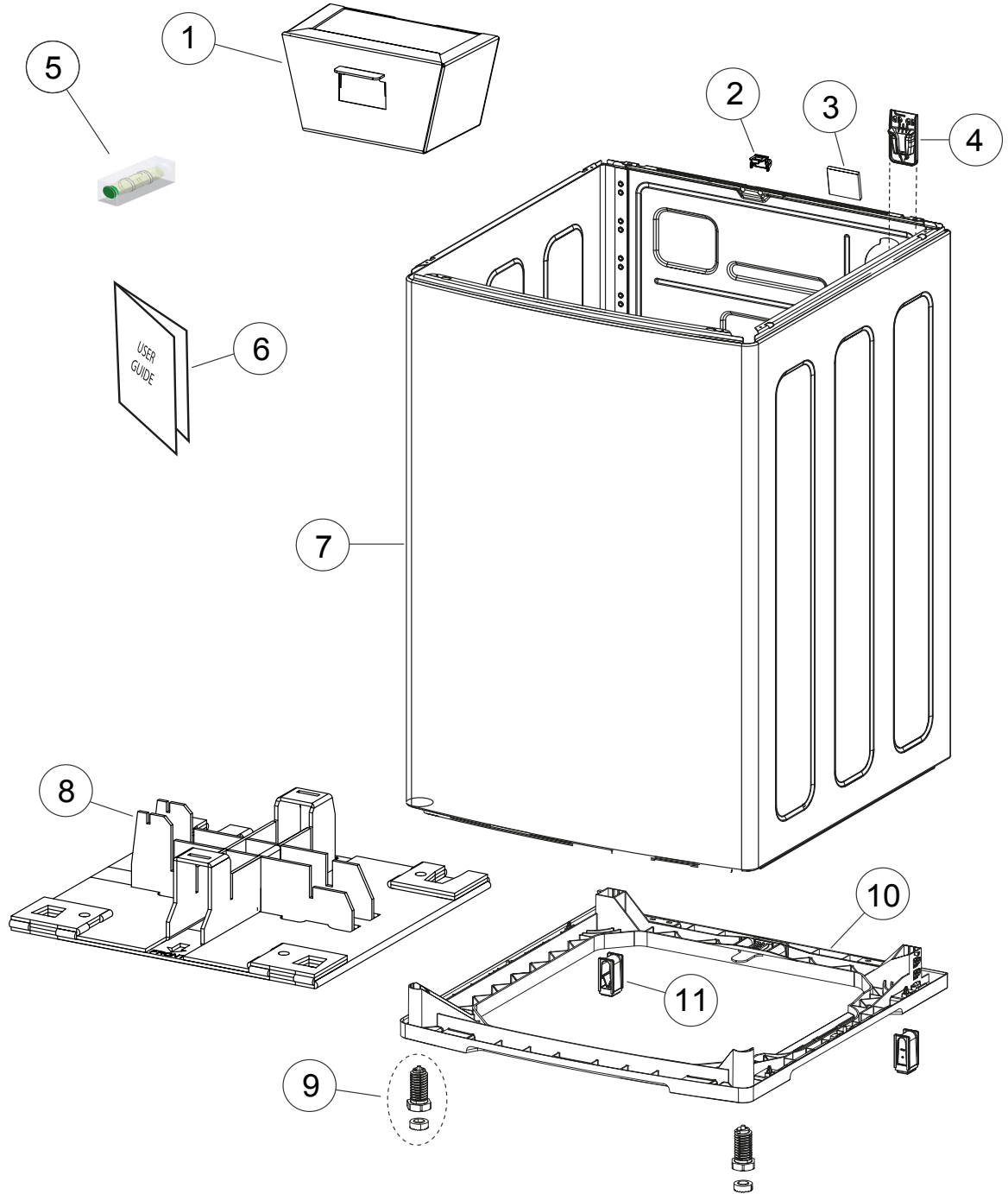
DWG003659

DWG 003659

TOP DECK & ELECTRONICS

REFERENCE	PART NUMBER	PART DESCRIPTION
1	424658P	CONSOLE 60
2	424659	BRIDGE TRIM CS 60
3	429326	FASCIA IML WS ECO 8.5 AA 60
4	424660	FASCIA SEAL 60
5	NOT USED	ITEM NOT USED ON THIS MODEL
6	429344P	MOD DISP KNOBLESS 60 T2 (PKD)
7	429538	THERMISTOR ASSY SVC KIT AA
8	424062	HARNESS VALVES 2 DISP 68
9	424955	DAMPER UDH16N PLASTIC LID
10	424696P	LID ASSY PLASTIC 60
11	424704	INSERT LID PLASTIC 60
12	424320	VALVE INLET NON DISP BSP 68
13	424373	VALVE TOPDECK DRAIN
14	424498	COVER BITRON VALVES 60
15	424237	WALL PARTITION TOPDECK
16	420738P	CLAMP HARNESS TOPECK PKD
17	424369	GASKET CONSOLE FOAM 5MM
18	424155	COVER TOPDECK WIRING 68
19	429368NAP	MOD MC SD9A C5D 230V NZ/AU
20	611805P	SCREW ST 8X16 PLASTITE (PKT 10)
21	429442P	CORDSET AA 56/60 PKD
22	424706	HOLDER DAMPER LID PLASTIC 60
23	611811P	SCREW ST 8X1/2 PAN SS (PKT10)
24	420833P	NOZZLE SPRAY FILL ASSY
25	424056	ELBOW INLET 68
26	424705	STOP LID PLASTIC 60
27	424301P	TOPDECK SUB ASSY NONDISP 60 (PKD)
	Includes 424373	VALVE TOPDECK DRAIN
	Includes 420738	CLAMP HARNESS TOPDECK
28	424314P	LIDLOCK & HARN ASSY SPARES
29	424683	STRIP WEAR TOPDECK

WRAPPER



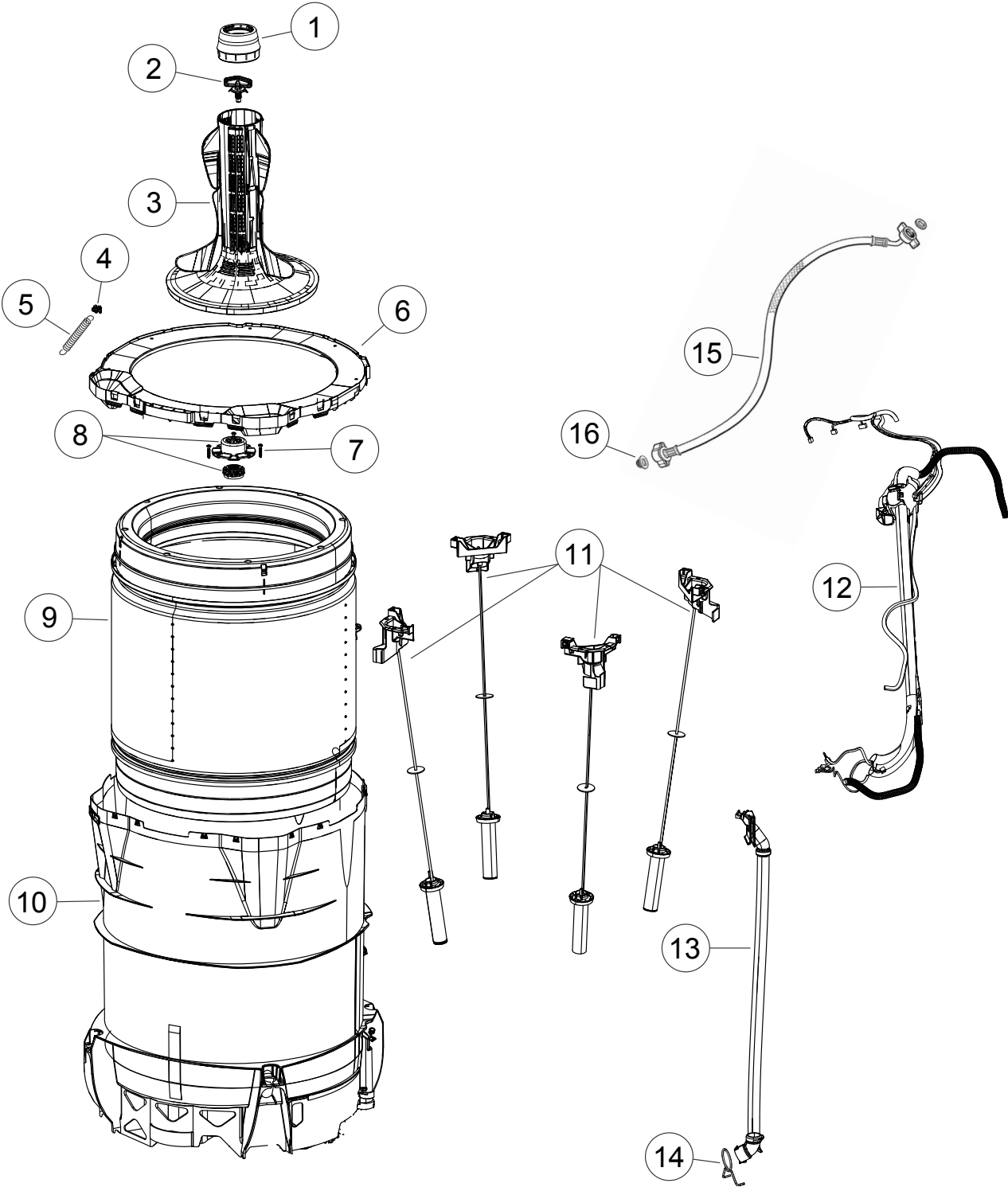
DWG003642

DWG 003642

WRAPPER

REFERENCE	PART NUMBER	PART DESCRIPTION
1	424593	PACKER BOWL 60
2	424753	COVER EARTH CABINET
3	429150	FELT PAD
4	424929	FIXTURE DRAIN HOSE LOWER
5	424448	INDICATOR LEVEL SQUARE
6	429337	BOOK USE & CARE WS 60
7	424245P	WRAPPER & BASE ASSY
8	424588	PACKER BASE CARTON 60
9	424527	FOOT LEVELLING OVERMOULD
10	424910	BASE ASSEMBLY AS 60
	Includes	FOOT OVERMOULD SA
	Includes	STRAP
11	NS	FOOT OVERMOLD AS

INNER & OUTER BOWL



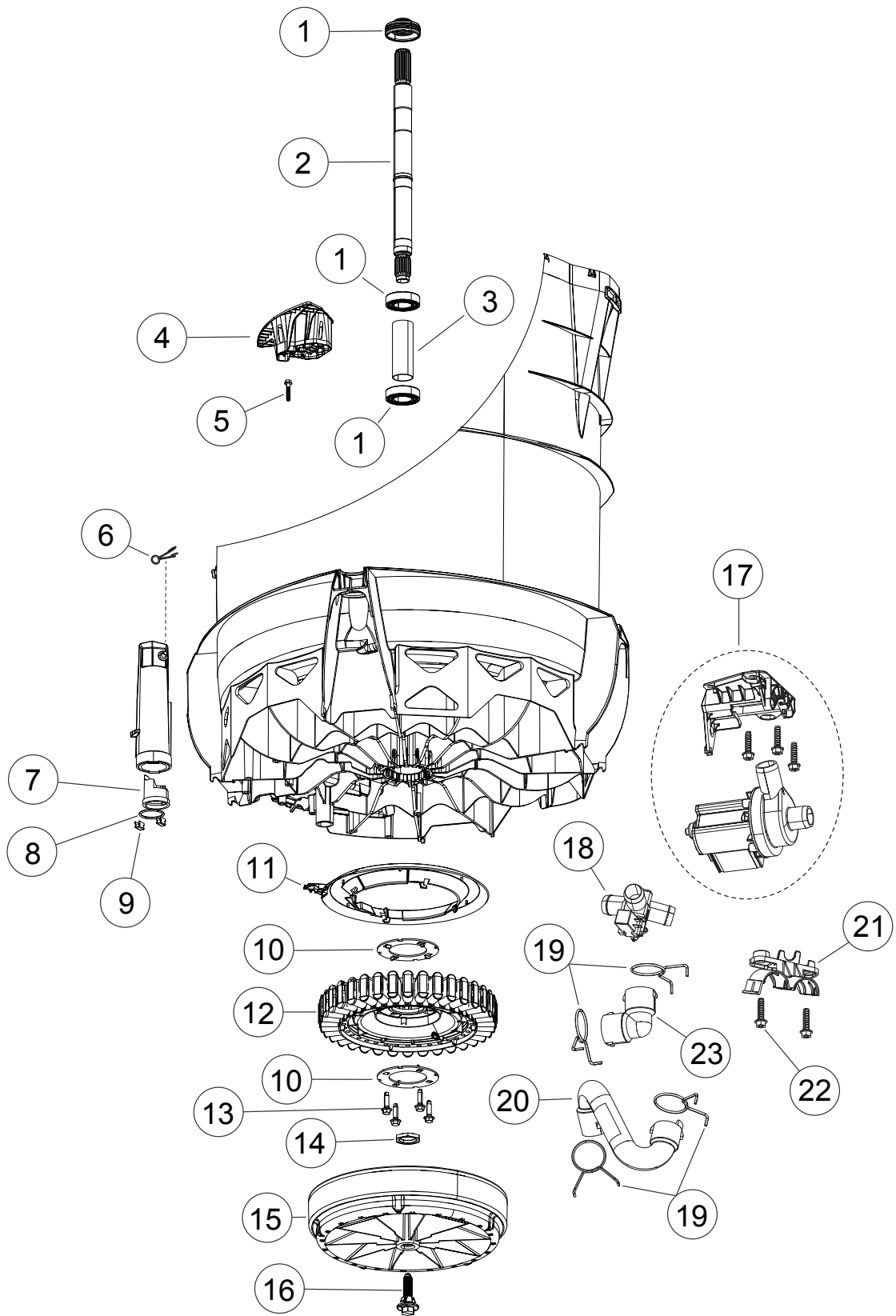
DWG003644

DWG 003644

INNER & OUTER BOWL

REFERENCE	PART NUMBER	PART DESCRIPTION
1	426993P	DISPENSER ASSEMBLY WHITE PKD
2	420665	BOLT AGITATOR
3	425025P	AGITATOR PKD
4	420197P	CLIP BIAS SPRING SD11
5	424346	SPRING BIAS
6	424939	NECKRING 60
	Includes 424346	SPRING BIAS
	Includes 420197	CLIP BIAS SPRING SD11
	Includes 424945	PAD NECK RING 60
	Includes	NECKRING
7	425131P	SCREW CLUTCH X10 PKD
8	479318P	KIT SPLINE DRIVE
	Includes 425080	SPLINE DRIVEN
	Includes 425596	SPLINE DRIVE ASSY
9	424544P	BOWL INNER ASSY 60 (PKD)
10	424541P	BOWL OUTER ASSY 60 H/PUMP
11	424569P	SUSPENSION ASSEMBLY 68
12	429501P	HOSE & HARNESS ASSY 60 RECIRC
13	424719	PIPE RECIRC 60 ASSY
14	422500	CLAMP HOSE 031.54
15	420375P	HOSE INLET ASSY MIFLEX II(PKD)
	Includes	FILTER INLET PLASTIC
	Includes	CONNECTOR SEAL (2)
	422680P	HOSE INLET LONG (2M) PKD
	Includes	FILTER INLET MIFLEX
	Includes	CONNECTOR SEAL MIFLEX (2)
16	420016P	KIT FILTER/CONNECTOR (2EA)
	Includes 420016	FILTER INLET MIFLEX
	Includes 420017	CONNECTOR SEAL MFLEX (2)

MOTOR, PUMP & DRIVE



DWG004254

DWG 004254

MOTOR, PUMP & DRIVE

REFERENCE	PART NUMBER	PART DESCRIPTION
1	429565P	KIT BEARING LIPSEAL
2	420794P	SHAFT DRIVE INT THREAD
3	425007	SPACER BEARING
4	424830	COVER SUMP 60
5	425162P	SCREW COVER X10 PKD
6	425611	CLAMP HOSE 08.5 TALL GRIP
7	425763	PLUG ASSY PRESSURE CHAMBER
8	425149	SEAL O RING PRESSURE CHAMBER
9	613710P	CLIP EDGE (PKT 2)
10	426174P	CLAMP PLATE STATOR LANCED
11	424296P	SHIELD MOTOR UL PKD
12	438446P	STATOR MA35M ASSY
13	426835P	SCREW STATOR (PKT 10)
14	425171	NUT BEARING
15	438503P	ROTOR ASSY SPARES
16	420664P	BOLT ROTOR
17	424793P	PUMP HANNING 60 ASSY
18	426862	VALVE DIVERter SD 10
19	422500	CLAMP HOSE 031.54
20	424695	HOSE DIVERter 60
21	424644	BRACKET DRAIN HOSE 60
22	425150P	SCREW ST 1/4 X 1" PKD 10
23	421801	ELBOW HOSE PUMP

www.fisherpaykel.com

Copyright © Fisher & Paykel Appliances Ltd 2017. All rights reserved.
The product specifications in this manual apply to the specific model described at the date of issue. Under our policy of continuous product improvement, these specifications may change at any time. Only use this manual if the product code on the front matches the product code on the serial label of the product.

AU NZ

PRODUCT CODE: 92245-A 02.17