

# **PARTS MANUAL**

**FabricSmart™ Washer**

WA8560P1 FP AA

Product Code  
**92247-A**

**AU NZ**

***Fisher & Paykel***

# CONTENTS

---

INTRODUCTION	2
TOP DECK & ELECTRONICS	3
WRAPPER	5
INNER & OUTER BOWL	7
MOTOR, PUMP & DRIVE	9

# INTRODUCTION

---

<b>BRAND</b>	<b>VOLTAGE</b>	<b>MODEL</b>	<b>PRODUCT CODE</b>
Fisher & Paykel	220-240V 50Hz	WA8560P1 FP AA	92247-A

---

## MODELS

- The models covered by this manual are listed on the front cover.
- The information detailed in this manual is subject to change without notice. The latest version is indicated by the reprint date and replaces any earlier editions.

## KIT PARTS

Kit components are shown in italics. Where a part number is shown against the descriptions for these kit components, they are also available as separate items. In addition, some parts may be supplied with these kits that are not available as separate items, and are therefore either not listed, or a part number is not shown against the part description in this manual.

## PARTS LIST KEY

<b>ITALICS</b>	Kit components or parts included are shown in italics. Refer to above notes: Kit Parts.
<b>NI</b>	As a part reference, indicates the part is not illustrated on the diagram.
<b>NOT USED</b>	As a part number, indicates the diagram part reference is not used in this manual.
<b>NS</b>	As a part number, indicates the part is not servicable.

---

## NZ

Fisher & Paykel Appliances Ltd  
78 Springs Road, East Tamaki  
Manukau 2013  
PO Box 58-546 Botany  
Manukau 2163  
New Zealand

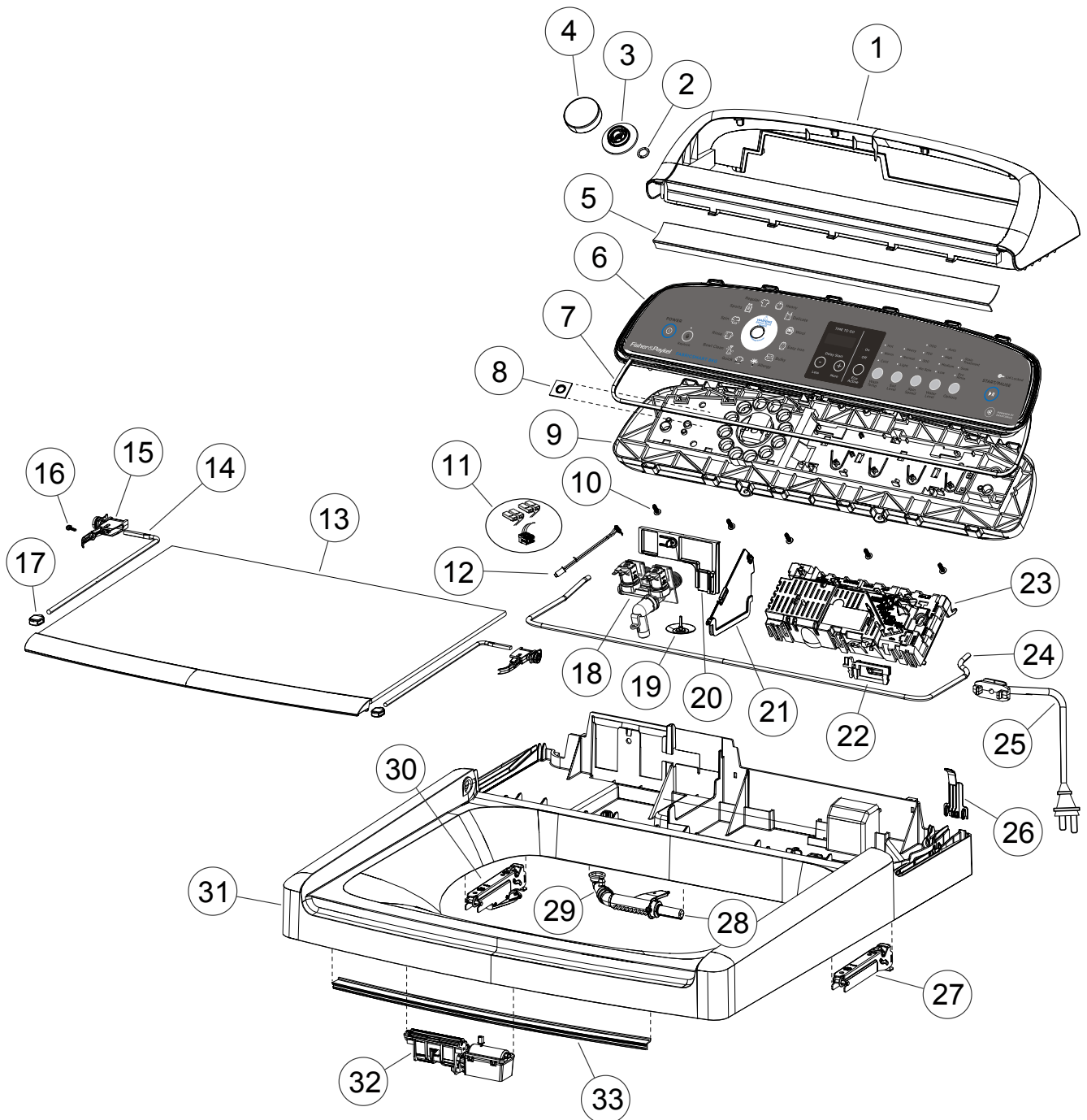
tel: 09 273 0600  
fax: 09 273 0656  
e-mail: nz.customercare@fisherpaykel.com

## AU

Fisher & Paykel Customer Services Pty Ltd  
PO Box 798, Cleveland, QLD 4163  
A.C.N. 003 3335 171  
19 Enterprise Street  
Cleveland, QLD 4163  
Australia

tel: 07 3826 9100  
fax: 07 3826 9164  
e-mail: aus.customercare@fisherpaykel.com

# TOP DECK & ELECTRONICS



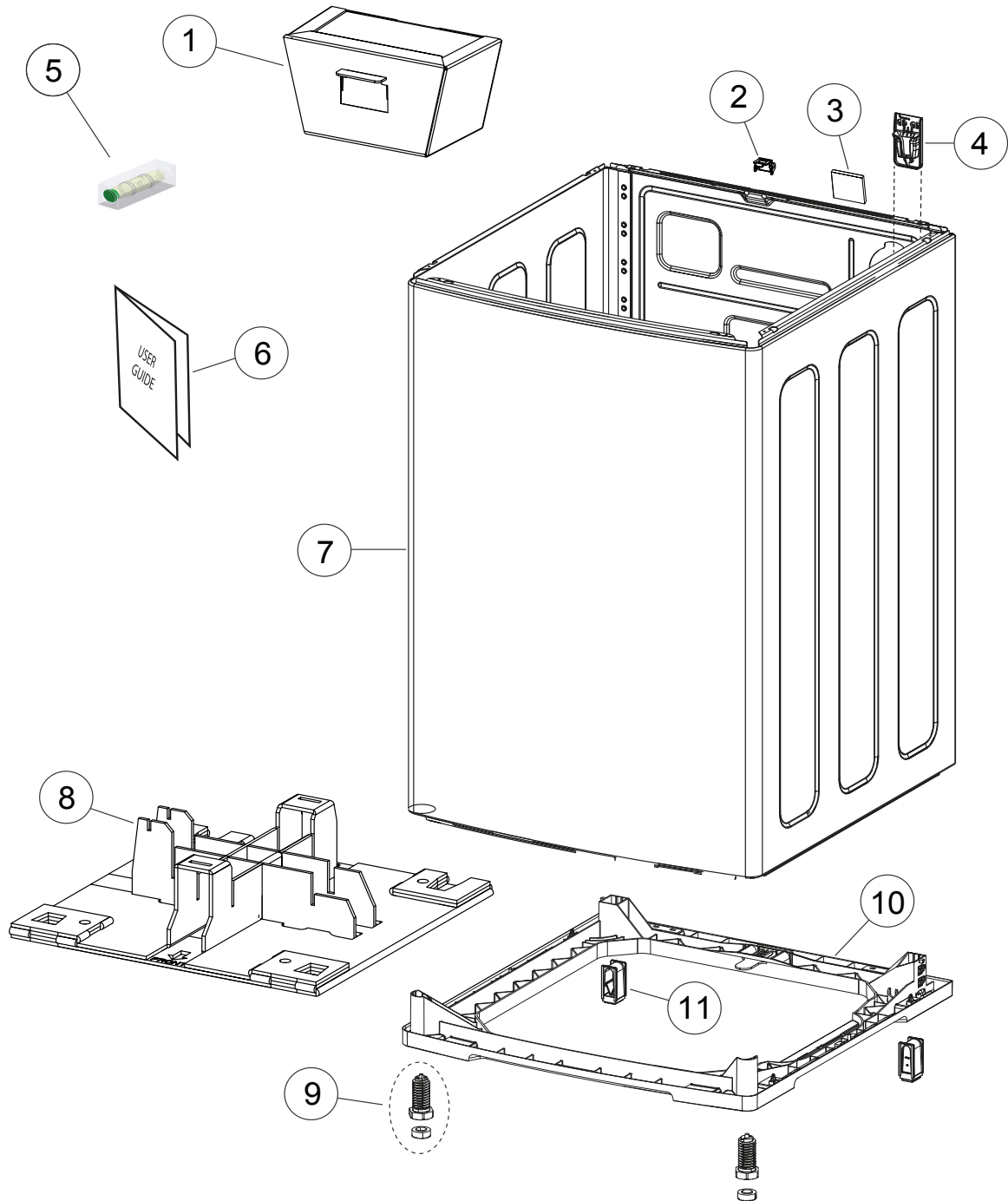
DWG003658

DWG 003658

## TOP DECK & ELECTRONICS

REFERENCE	PART NUMBER	PART DESCRIPTION
1	424658P	CONSOLE 60
2	424135	SEAL ENCODER 68
3	424115	BEZEL HALO 68
4	424224	DIAL SS AQS/CL ASSY
5	424659	BRIDGE TRIM CS 60
6	429325	FASCIA IML FS 8.5 AA 60
7	424660	FASCIA SEAL 60
8	424135	SEAL BEZEL
9	429343P	MOD DISP KNOB 60 (PKD)
10	611805P	SCREW ST 8X16 PLASTITE (PKT 10)
11	424062	HARNESS VALVES 2 DISP 68
12	429538	THERMISTOR ASSY SVC KIT AA
13	424694P	LID GLASS ASSY 60
14	421867	ARM HINGE METAL
15	424821	INSERT LID GLASS UNIVERSAL
16	424886P	SCREW SS410 4X8 PLAST (PKT 10)
17	424359	RETAINER ARM
18	424320P	VALVE INLET DUAL MW
19	424373	VALVE TOPDECK DRAIN
20	424498	COVER BITRON VALVES 60
21	424237	WALL PARTITION TOPDECK
22	420738P	CLAMP HARNESS TOPDECK PKD
23	429368NAP	MOD MC SD9A C5D 230V NZ/AU
24	424369	GASKET CONSOLE FOAM 5MM
25	429442P	CORDSET AA 56/60 PKD
26	424155	COVER TOPDECK WIRING 68
27	424702	HINGE LID GLASS 60
28	420833P	NOZZLE SPRAY FILL ASSY
29	424056	ELBOW INLET 68
30	424703	HINGE LID GLASS DAMPER 60
31	424301P	TOPDECK SUB ASSY NONDISP 60 (PKD)
	Includes 424373	VALVE TOPDECK DRAIN
	Includes 420738	CLAMP HARNESS TOPDECK
32	424314P	LIDLOCK & HARN ASSY SPARES
33	424683	STRIP WEAR TOPDECK

# WRAPPER



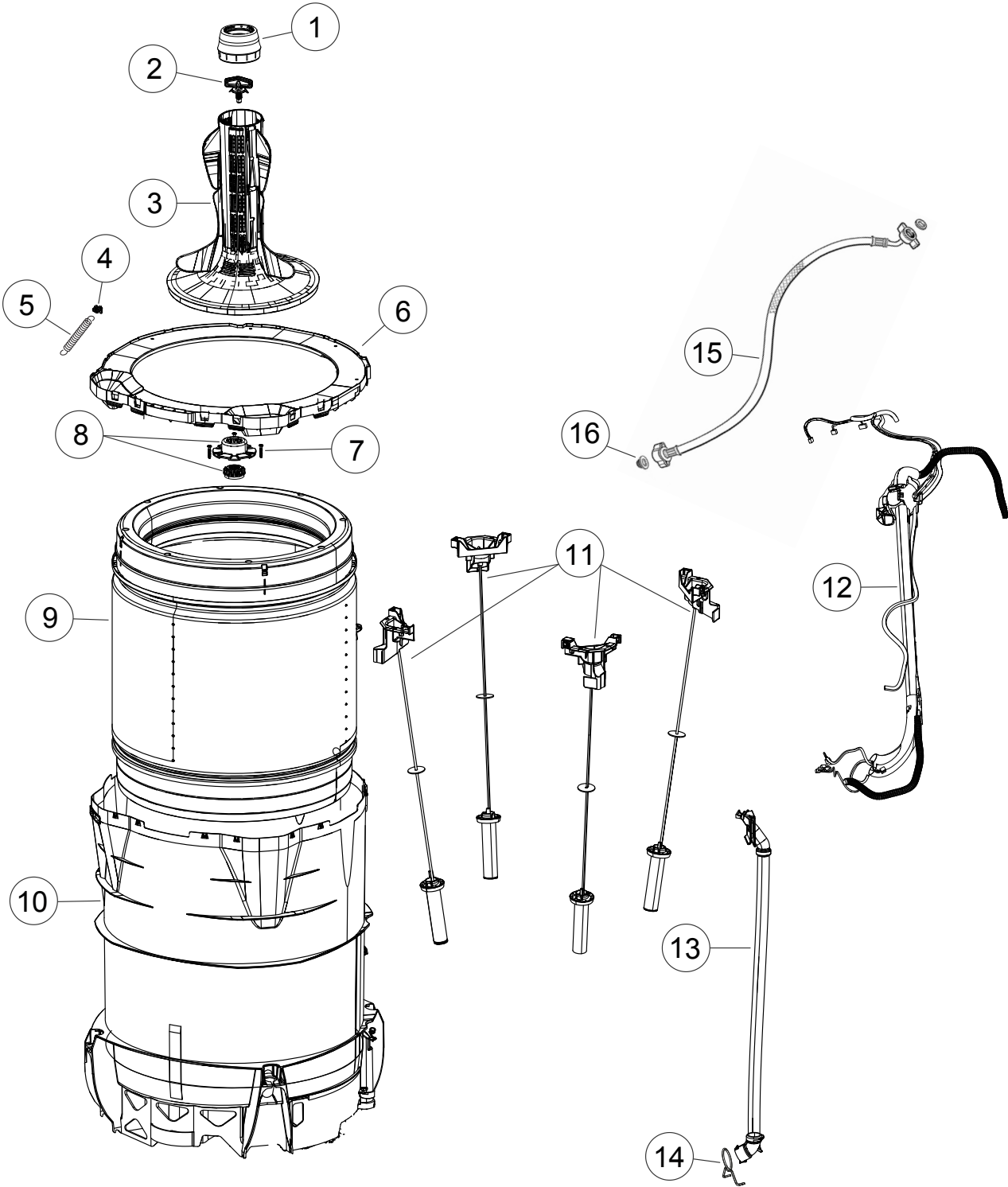
DWG003642

DWG 003642

## WRAPPER

REFERENCE	PART NUMBER	PART DESCRIPTION
1	424593	PACKER BOWL 60
2	424753	COVER EARTH CABINET
3	429150	FELT PAD
4	424929	FIXTURE DRAIN HOSE LOWER
5	424448	INDICATOR LEVEL SQUARE
6	429335	BOOK USE & CARE FS 60
7	424245P	WRAPPER & BASE ASSY
8	424588	PACKER BASE CARTON 60
9	424527	FOOT LEVELLING OVERMOULD
10	424910	BASE ASSEMBLY AS 60
	Includes	FOOT OVERMOULD SA
	Includes	STRAP
11	NS	FOOT OVERMOLD AS

# INNER & OUTER BOWL



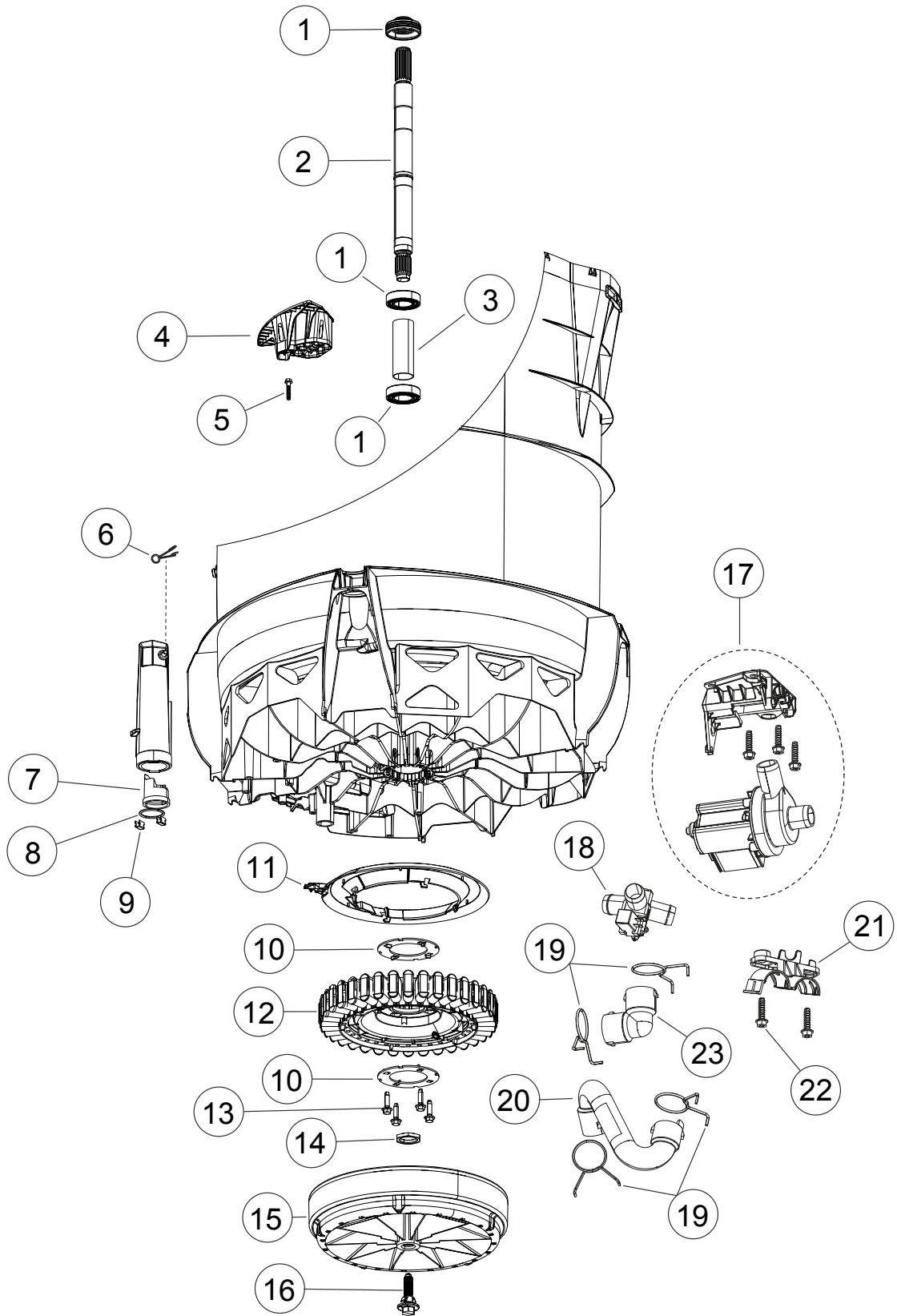
DWG003644

DWG 003644

## INNER & OUTER BOWL

REFERENCE	PART NUMBER	PART DESCRIPTION
<b>1</b>	<b>426993P</b>	<b>DISPENSER ASSEMBLY WHITE PKD</b>
<b>2</b>	<b>420665</b>	<b>BOLT AGITATOR</b>
<b>3</b>	<b>425025P</b>	<b>AGITATOR PKD</b>
<b>4</b>	<b>420197P</b>	<b>CLIP BIAS SPRING SD11</b>
<b>5</b>	<b>424346</b>	<b>SPRING BIAS</b>
<b>6</b>	<b>424939</b>	<b>NECKRING 60</b>
	Includes 424346	SPRING BIAS
	Includes 420197	CLIP BIAS SPRING SD11
	Includes 424945	PAD NECK RING 60
	Includes	NECKRING
<b>7</b>	<b>425131P</b>	<b>SCREW CLUTCH X10 PKD</b>
<b>8</b>	<b>479318P</b>	<b>KIT SPLINE DRIVE</b>
	Includes 425080	SPLINE DRIVEN
	Includes 425596	SPLINE DRIVE ASSY
<b>9</b>	<b>424544P</b>	<b>BOWL INNER ASSY 60 (PKD)</b>
<b>10</b>	<b>424541P</b>	<b>BOWL OUTER ASSY 60 H/PUMP</b>
<b>11</b>	<b>424569P</b>	<b>SUSPENSION ASSEMBLY 68</b>
<b>12</b>	<b>429501P</b>	<b>HOSE &amp; HARNESS ASSY 60 RECIRC</b>
<b>13</b>	<b>424719</b>	<b>PIPE RECIRC 60 ASSY</b>
<b>14</b>	<b>422500</b>	<b>CLAMP HOSE 031.54</b>
<b>15</b>	<b>420375P</b>	<b>HOSE INLET ASSY MIFLEX II(PKD)</b>
	Includes	FILTER INLET PLASTIC
	Includes	CONNECTOR SEAL (2)
	<b>422680P</b>	<b>HOSE INLET LONG (2M) PKD</b>
	Includes	FILTER INLET MIFLEX
	Includes	CONNECTOR SEAL MIFLEX (2)
<b>16</b>	<b>420016P</b>	<b>KIT FILTER/CONNECTOR (2EA)</b>
	Includes 420016	FILTER INLET MIFLEX
	Includes 420017	CONNECTOR SEAL MFLEX (2)

# MOTOR, PUMP & DRIVE



DWG004254

DWG 004254

## MOTOR, PUMP & DRIVE

REFERENCE	PART NUMBER	PART DESCRIPTION
1	429565P	KIT BEARING LIPSEAL
2	420794P	SHAFT DRIVE INT THREAD
3	425007	SPACER BEARING
4	424830	COVER SUMP 60
5	425162P	SCREW COVER X10 PKD
6	425611	CLAMP HOSE 08.5 TALL GRIP
7	425763	PLUG ASSY PRESSURE CHAMBER
8	425149	SEAL O RING PRESSURE CHAMBER
9	613710P	CLIP EDGE (PKT 2)
10	426174P	CLAMP PLATE STATOR LANCED
11	424296P	SHIELD MOTOR UL PKD
12	438446P	STATOR MA35M ASSY
13	426835P	SCREW STATOR (PKT 10)
14	425171	NUT BEARING
15	438503P	ROTOR ASSY SPARES
16	420664P	BOLT ROTOR
17	424793P	PUMP HANNING 60 ASSY
18	426862	VALVE DIVERter SD 10
19	422500	CLAMP HOSE 031.54
20	424695	HOSE DIVERter 60
21	424644	BRACKET DRAIN HOSE 60
22	425150P	SCREW ST 1/4 X 1" PKD 10
23	421801	ELBOW HOSE PUMP

[www.fisherpaykel.com](http://www.fisherpaykel.com)

Copyright © Fisher & Paykel Appliances Ltd 2017. All rights reserved.  
The product specifications in this manual apply to the specific model described at the date of issue. Under our policy of continuous product improvement, these specifications may change at any time. Only use this manual if the product code on the front matches the product code on the serial label of the product.

**AU NZ**

**PRODUCT CODE: 92247-A 02.17**