

PARTS MANUAL

CleanSmart™ Washer

WL8060P1 FP AA

Product Code
92248-A

AU NZ

Fisher & Paykel

CONTENTS

INTRODUCTION	2
TOP DECK & ELECTRONICS	3
WRAPPER	7
INNER & OUTER BOWL	9
MOTOR, PUMP & DRIVE	11

INTRODUCTION

BRAND	VOLTAGE	MODEL	PRODUCT CODE
Fisher & Paykel	220-240V 50Hz	WL8060P1 FP AA	92248-A

MODELS

- The models covered by this manual are listed on the front cover.
- The information detailed in this manual is subject to change without notice. The latest version is indicated by the reprint date and replaces any earlier editions.

KIT PARTS

Kit components are shown in italics. Where a part number is shown against the descriptions for these kit components, they are also available as separate items. In addition, some parts may be supplied with these kits that are not available as separate items, and are therefore either not listed, or a part number is not shown against the part description in this manual.

PARTS LIST KEY

ITALICS	Kit components or parts included are shown in italics. Refer to above notes: Kit Parts.
NI	As a part reference, indicates the part is not illustrated on the diagram.
NOT USED	As a part number, indicates the diagram part reference is not used in this manual.
NS	As a part number, indicates the part is not servicable.

NZ

Fisher & Paykel Appliances Ltd
78 Springs Road, East Tamaki
Manukau 2013
PO Box 58-546 Botany
Manukau 2163
New Zealand

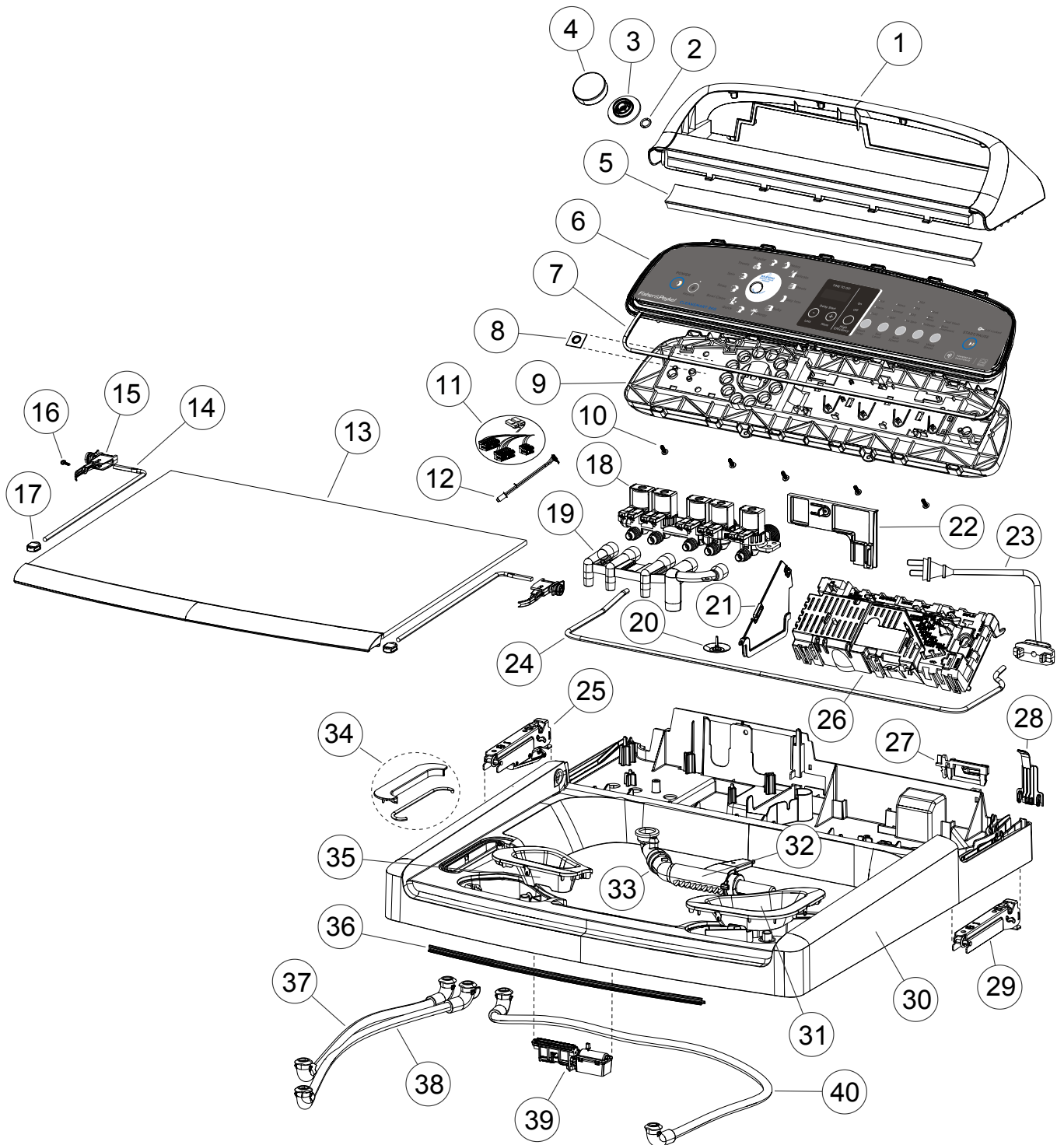
tel: 09 273 0600
fax: 09 273 0656
e-mail: nz.customercare@fisherpaykel.com

AU

Fisher & Paykel Customer Services Pty Ltd
PO Box 798, Cleveland, QLD 4163
A.C.N. 003 3335 171
19 Enterprise Street
Cleveland, QLD 4163
Australia

tel: 07 3826 9100
fax: 07 3826 9164
e-mail: aus.customercare@fisherpaykel.com

TOP DECK & ELECTRONICS



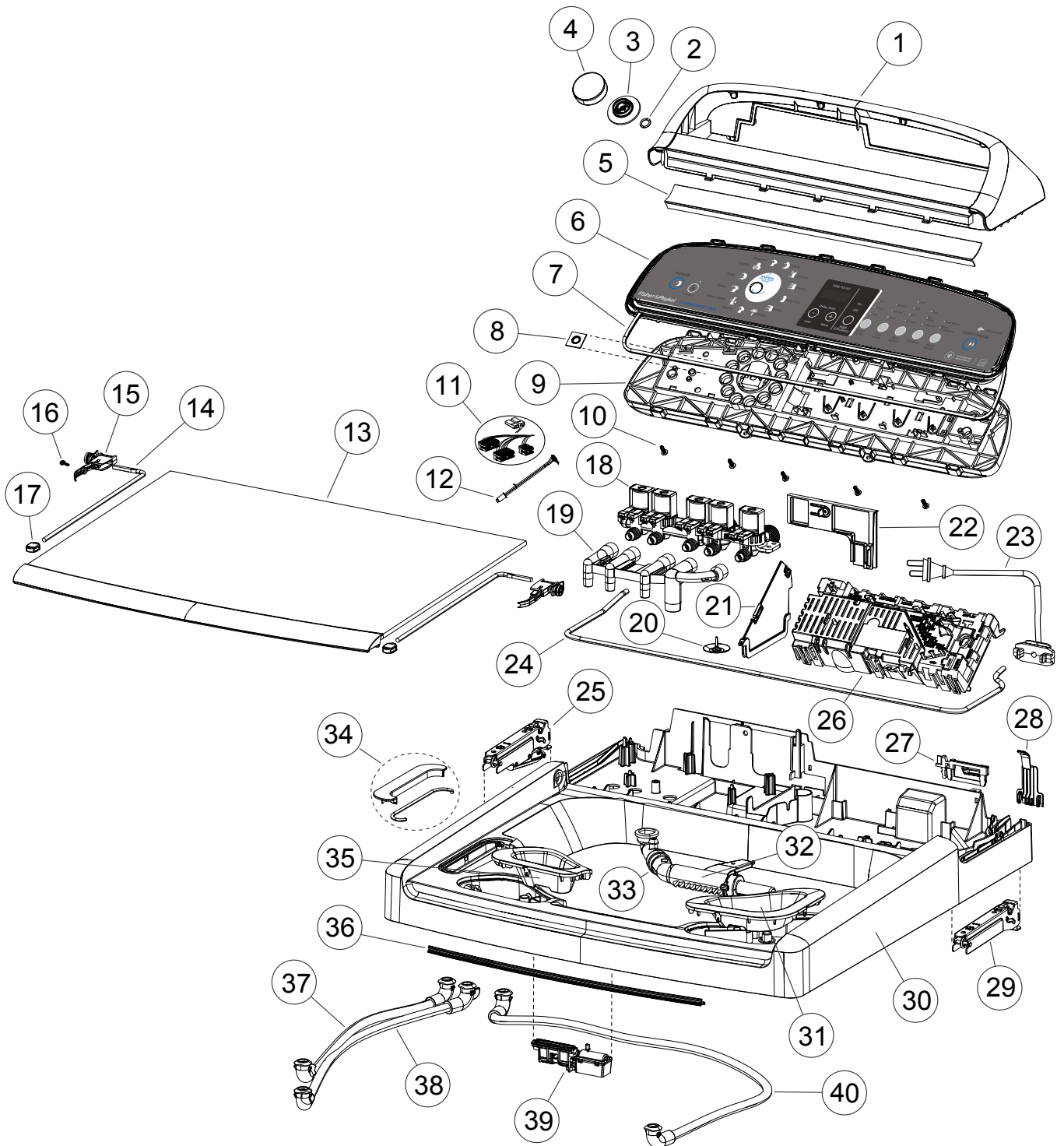
DWG003641

DWG 003641

TOP DECK & ELECTRONICS

REFERENCE	PART NUMBER	PART DESCRIPTION
1	424658P	CONSOLE 60
2	424135	SEAL ENCODER 68
3	424115	BEZEL HALO 68
4	424224	DIAL SS AQS/CL ASSY
5	424659	BRIDGE TRIM CS 60
6	424889	FASCIA IML CS AA 60
7	424660	FASCIA SEAL 60
8	424135	SEAL BEZEL
9	429144P	MOD DISP KNOB 60 PKD
10	611805P	SCREW ST 8X16 PLASTITE (PKT 10)
11	424944	HARNESS VALVE 5 DISP 60
12	429538	THERMISTOR ASSY SVC KIT AA
13	424694P	LID GLASS ASSY 60
14	421867	ARM HINGE METAL
15	424821	INSERT LID GLASS UNIVERSAL
16	424886P	SCREW SS410 4X8 PLAST (PKT 10)
17	424359	RETAINER ARM
18	424887P	VALVE DIS BITRON NZ AUS PKD
19	424134	MANIFOLD DISPENSING 68
20	424373	VALVE TOPDECK DRAIN
21	424237	WALL PARTITION TOPDECK
22	424498	COVER BITRON VALVES 60
23	429442P	CORDSET AA 56/60 PKD
24	424369	GASKET CONSOLE FOAM 5MM
25	424703	HINGE LID GLASS DAMPER 60
26	429368NAP	MOD MC SD9A C5D 230V NZ/AU
27	420738P	CLAMP HARNESS TOPECK PKD
28	424155	COVER TOPDECK WIRING 68
29	424702	HINGE LID GLASS 60
30	424302P	TOPDECK SUB ASSY DISP 60 (PKD)
	Includes 424373	VALVE TOPDECK DRAIN
	Includes 420738	CLAMP HARNESS TOPDECK

TOP DECK & ELECTRONICS



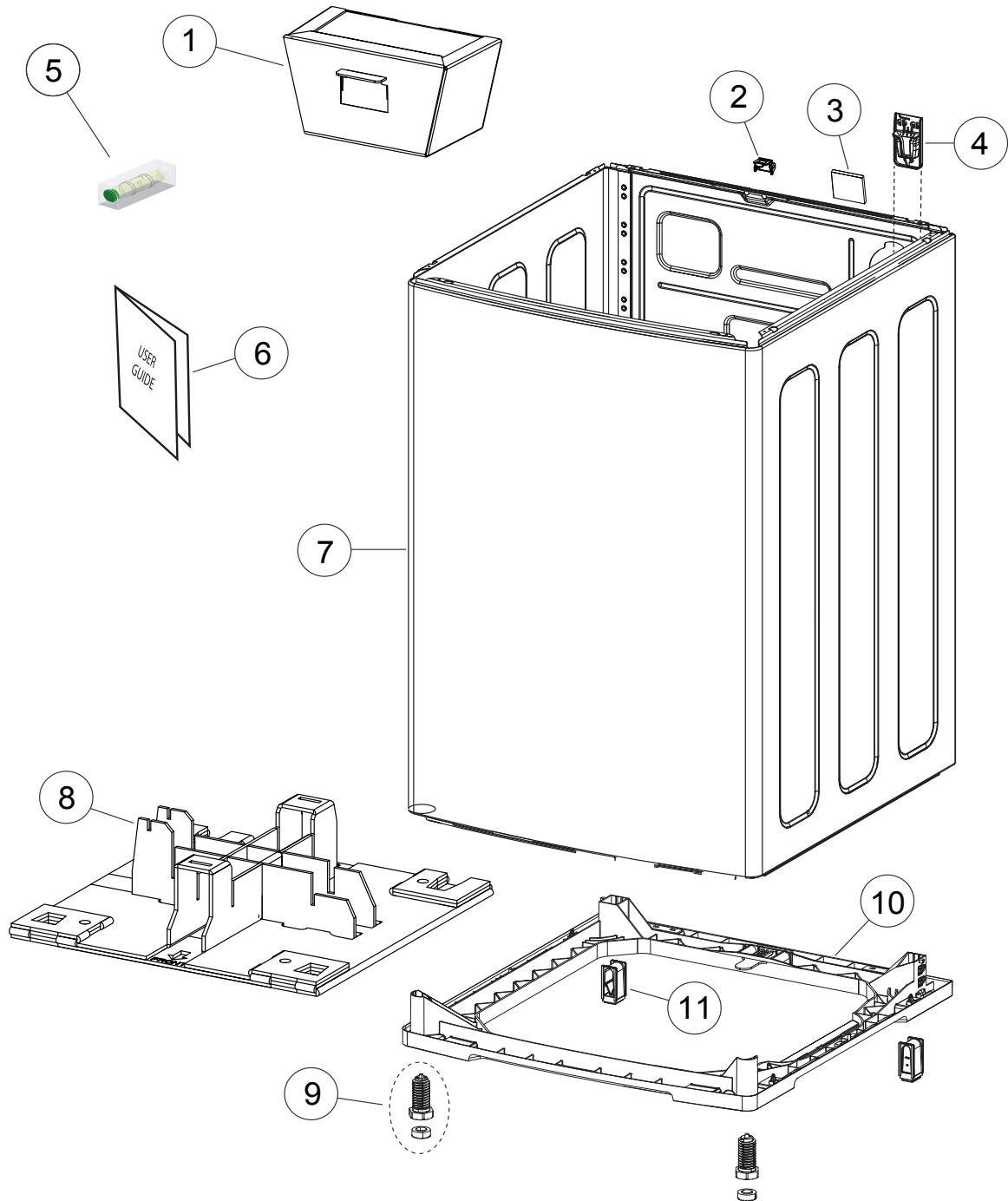
DWG003641

DWG 003641

TOP DECK & ELECTRONICS

REFERENCE	PART NUMBER	PART DESCRIPTION
31	424643	COVER DISPENSER RH 60
32	420833P	NOZZLE SPRAY FILL ASSY
33	424056	ELBOW INLET 68
34	424178P	COVER DETERGENT PRINTED 68 PKD
35	424642	COVER DISPENSER LH 60
36	424683	STRIP WEAR TOPDECK
37	424896	HOSE DISP DETERGENT 60
38	424898	HOSE DISP WB 60
39	424314P	LIDLOCK & HARN ASSY SPARES
40	424897	HOSE DISP SOFTENER 60

WRAPPER



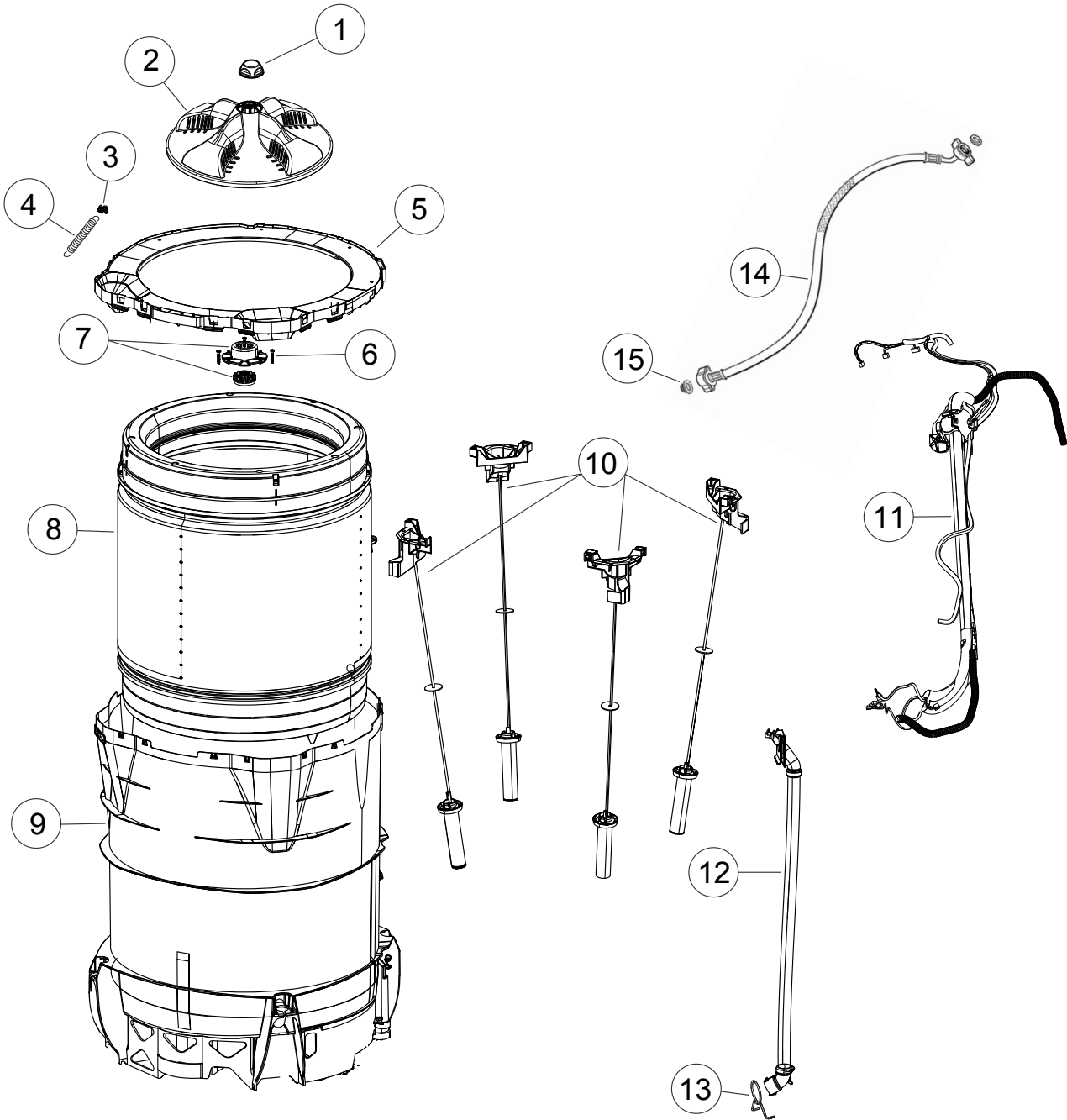
DWG003642

DWG 003642

WRAPPER

REFERENCE	PART NUMBER	PART DESCRIPTION
1	424593	PACKER BOWL 60
2	424753	COVER EARTH CABINET
3	429150	FELT PAD
4	424929	FIXTURE DRAIN HOSE LOWER
5	424448	INDICATOR LEVEL SQUARE
6	424918	BOOK USE & CARE WL8060P
7	424245P	WRAPPER & BASE ASSY
8	424588	PACKER BASE CARTON 60
9	424527	FOOT LEVELLING OVERMOULD
10	424910	BASE ASSEMBLY SA 60
	Includes	FOOT OVERMOLD SA
	Includes	STRAP
11	NS	FOOT OVERMOLD SA

INNER & OUTER BOWL



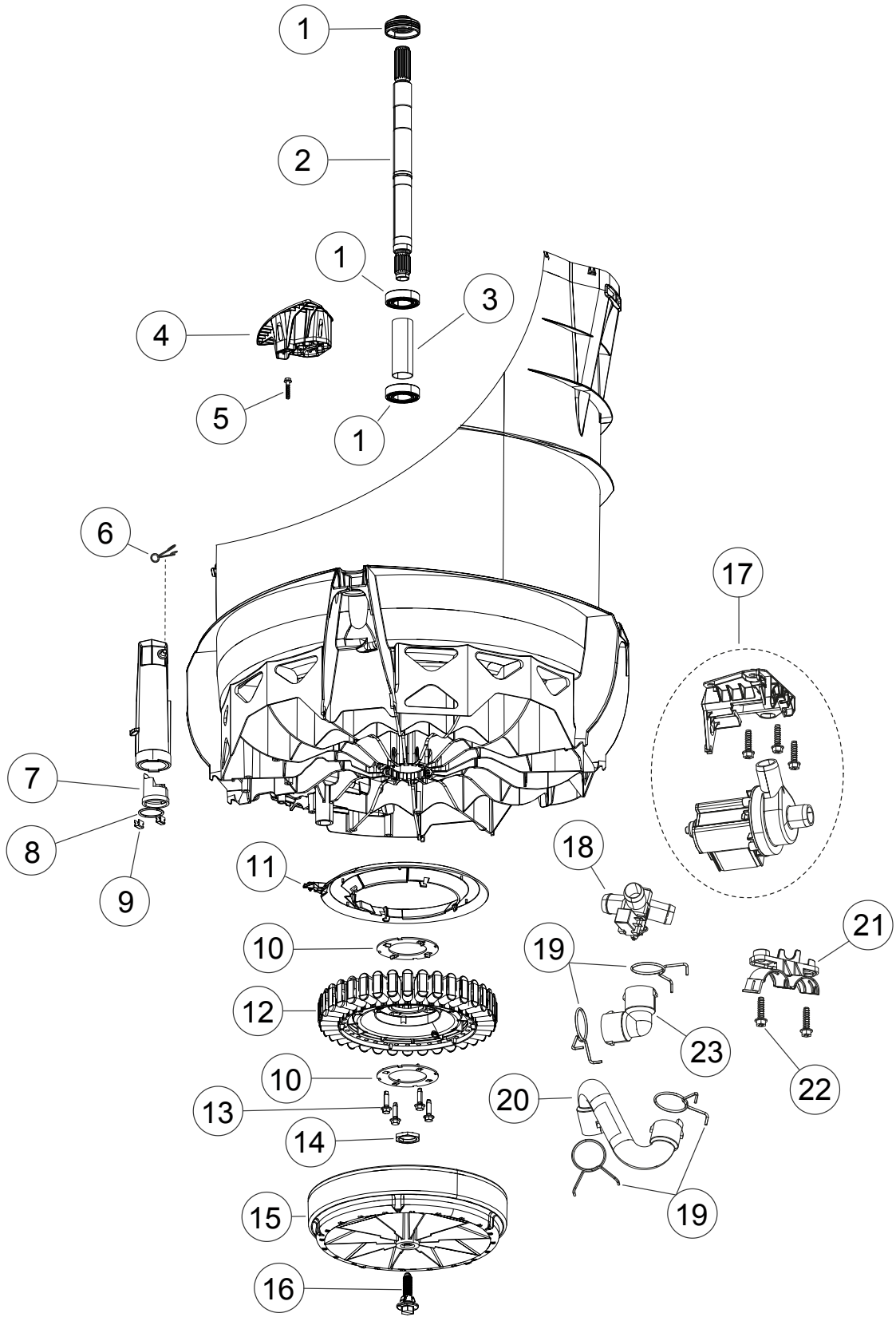
DWG003655

DWG 003655

INNER & OUTER BOWL

REFERENCE	PART NUMBER	PART DESCRIPTION
1	421040P	CAP & BOLT KIT WHITE
	Includes	CAP AGITATOR LP
	Includes	BOLT AGITATOR LP
2	421270	WASHPLATE PUMPING
3	420197P	CLIP BIAS SPRING SD11
4	424346	SPRING BIAS
5	424939	NECKRING 60
	Includes 424346	SPRING BIAS
	Includes 420197	CLIP BIAS SPRING SD11
	Includes 424945	PAD NECK RING 60
	Includes	NECKRING
6	425131P	SCREW CLUTCH X10 PKD
7	479318P	KIT SPLINE DRIVE
	Includes 425080	SPLINE DRIVEN
	Includes 425596	SPLINE DRIVE ASSY
8	424544P	BOWL INNER ASSY 60 (PKD)
9	424541P	BOWL OUTER ASSY 60 H/PUMP
10	424569P	SUSPENSION ASSEMBLY 68
11	429501	HOSE & HARNESS ASSY RECIRC 60
12	424719	PIPE RECIRC 60 ASSY
13	422500	CLAMP HOSE 031.54
14	420375P	HOSE INLET ASSY MIFLEX II(PKD)
	Includes	FILTER INLET PLASTIC
	includes	CONNECTOR SEAL (2)
	422680P	HOSE INLET LONG (2M) PKD
	Includes	FILTER INLET MIFLEX
	Includes	CONNECTOR SEAL MIFLEX (2)
15	420016P	KIT FILTER/CONNECTOR (2EA)
	Includes 420016	FILTER INLET MIFLEX
	Includes 420017	CONNECTOR SEAL MFLEX (2)

MOTOR, PUMP & DRIVE



DWG004254

DWG 004254

MOTOR, PUMP & DRIVE

REFERENCE	PART NUMBER	PART DESCRIPTION
1	429565P	KIT BEARING LIPSEAL
2	420794P	SHAFT DRIVE INT THREAD
3	425007	SPACER BEARING
4	424830	COVER SUMP 60
5	425162P	SCREW COVER X10 PKD
6	425611	CLAMP HOSE 08.5 TALL GRIP
7	425763	PLUG ASSY PRESSURE CHAMBER
8	425149	SEAL O RING PRESSURE CHAMBER
9	613710P	CLIP EDGE (PKT 2)
10	426174P	CLAMP PLATE STATOR LANCED
11	424296P	SHIELD MOTOR UL PKD
12	438446P	STATOR MA35M ASSY
13	426835P	SCREW STATOR (PKT 10)
14	425171	NUT BEARING
15	438503P	ROTOR ASSY SPARES
16	420664P	BOLT ROTOR
17	424793P	PUMP HANNING 60 ASSY
18	426862	VALVE DIVERter SD 10
19	422500	CLAMP HOSE 031.54
20	424695	HOSE DIVERter 60
21	424644	BRACKET DRAIN HOSE 60
22	425150P	SCREW ST 1/4 X 1" PKD 10
23	421801	ELBOW HOSE PUMP

www.fisherpaykel.com

Copyright © Fisher & Paykel Appliances Ltd 2017. All rights reserved.
The product specifications in this manual apply to the specific model described at the date of issue. Under our policy of continuous product improvement, these specifications may change at any time. Only use this manual if the product code on the front matches the product code on the serial label of the product.

AU NZ

PRODUCT CODE: 92248-A 02.17