

# **FISHER & PAYKEL**

## **WASHSMART ECO™ WASHER**



**WA7560E1 FP AA**

**PRODUCT CODE: 92262-B**

**PARTS MANUAL**

**NZ AU**

# INTRODUCTION

---

BRAND	VOLTAGE	MODEL	PRODUCT CODE
Fisher & Paykel	220/240 VAC 50Hz	WA7560E1 FP AA	92262-B

---

## MODELS

- ▮ The models covered by this manual are listed on the front cover.
- ▮ The information detailed in this manual is subject to change without notice. The latest version is indicated by the reprint date and replaces any earlier editions.

## KIT PARTS

Where a part number is shown against the descriptions for kit components, they are also available as separate items. In addition, some parts may be supplied with these kits that are not available as separate items, and are therefore either not listed, or a part number is not shown against the part description in this manual.

## PARTS LIST KEY

<b>NI</b>	As a part reference, indicates the part is not illustrated on the diagram.
<b>NOT USED</b>	As a part number, indicates the diagram part reference is not used in this manual.
<b>NS</b>	As a part number, indicates the part is not servicable.

---

## NZ

Fisher & Paykel Appliances Ltd  
78 Springs Road, East Tamaki  
Manukau 2013  
PO Box 58-546 Botany  
Manukau 2163  
New Zealand

tel: 09 273 0600  
fax: 09 273 0656  
e-mail: nz.customercare@fisherpaykel.com

## AU

Fisher & Paykel Customer Services Pty Ltd  
PO Box 798, Cleveland, QLD 4163  
A.C.N. 003 3335 171  
19 Enterprise Street  
Cleveland, QLD 4163  
Australia

tel: 07 3826 9100  
fax: 07 3826 9164  
e-mail: aus.customercare@fisherpaykel.com

# CONTENTS

---

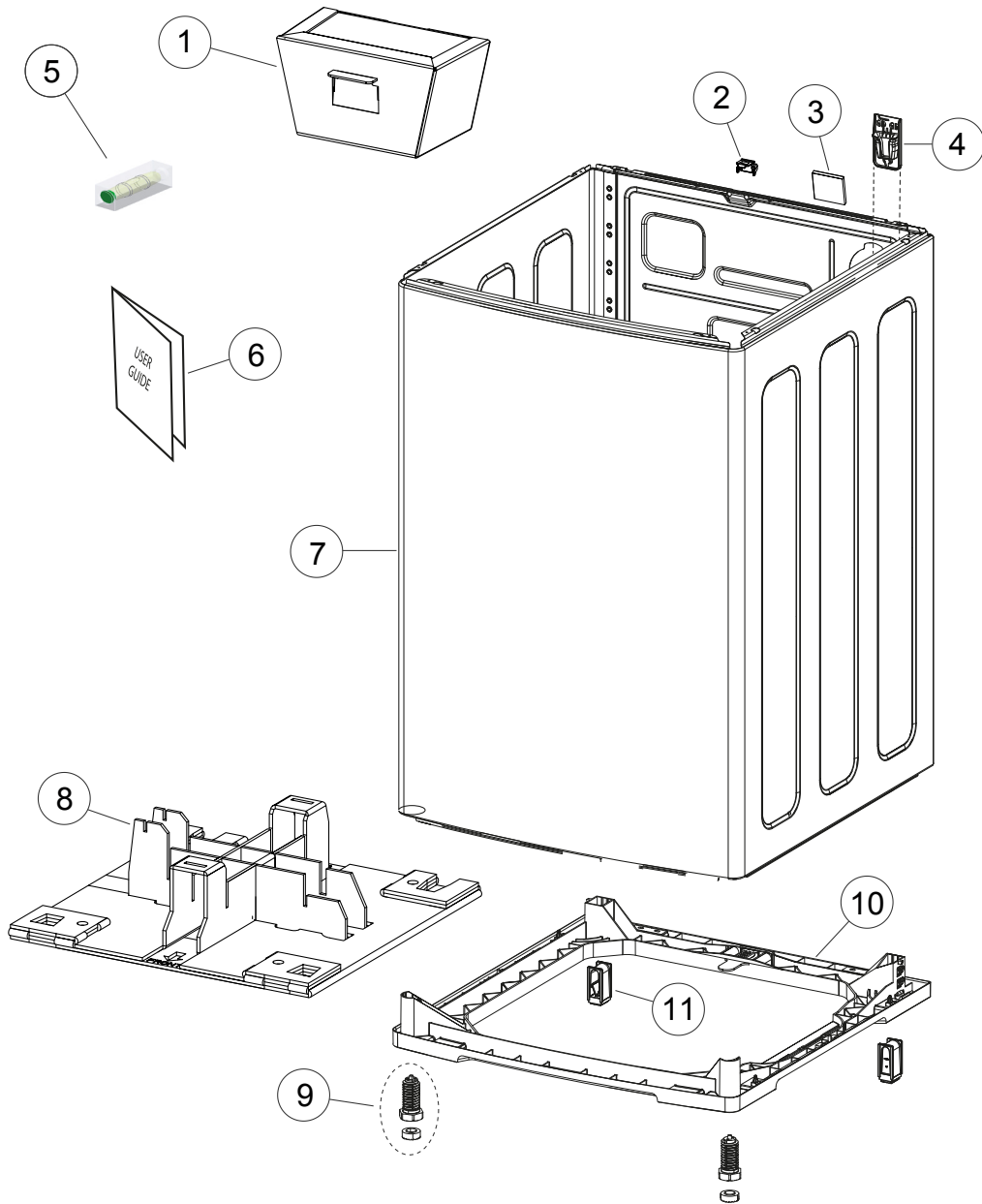
INTRODUCTION	1
TOP DECK & ELECTRONICS	3
WRAPPER	5
INNER & OUTER BOWL	7
MOTOR, PUMP & DRIVE	9



## TOP DECK & ELECTRONICS

REFERENCE	PART NUMBER	PART DESCRIPTION
1	424658P	CONSOLE 60
2	424659	BRIDGE TRIM CS 60
3	429802	FASCIA IML WS 7.5 ECO LGO
4	424660	FASCIA SEAL 60
5	424135	SEAL BEZEL
6	429508P	MOD DISP KNOBLESS 60 (PKD)
7	429538	THERMISTOR ASSY SVC KIT AA
8	424062	HARNESS VALVES 2 DISP 68
9	424955	DAMPER UDH16N PLASTIC LID
10	424696P	LID ASSY PLASTIC 60
11	424704	INSERT LID PLASTIC
12	424320P	VALVE INLET DUAL MW
13	424373	VALVE TOPDECK DRAIN
14	424498	COVER BITRON VALVES 60
15	424237	WALL PARTITION TOPDECK
16	420738P	CLAMP HARNESS TOPECK PKD
17	424369	GASKET CONSOLE FOAM 5MM
18	424155	COVER TOPDECK WIRING 68
19	430202NAP	MOD MC SD9A C5D 230V NZ/AU SVC
20	611805P	SCREW ST 8X16 PLASTITE (PKT 10)
21	429442P	CORDSET AA 56/60
22	424706	HOLDER DAMPER LID PLASTIC 60
23	611811P	SCREW ST 8X1/2 PAN SS (PKT10)
24	420833P	NOZZLE SPRAY FILL ASSY
25	424056	ELBOW INLET 68
26	424705	STOP LID PLASTIC
27	424301P	TOPDECK SUB ASSY NONDISP 60 (PKD)
	Inculdes 424373	VALVE TOPDECK DRAIN
	Inculdes 420738	CLAMP HARNESS TOPDECK
28	424314P	LIDLOCK & HARN ASSY SPARES
29	424683	STRIP WEAR TOPDECK

# WRAPPER



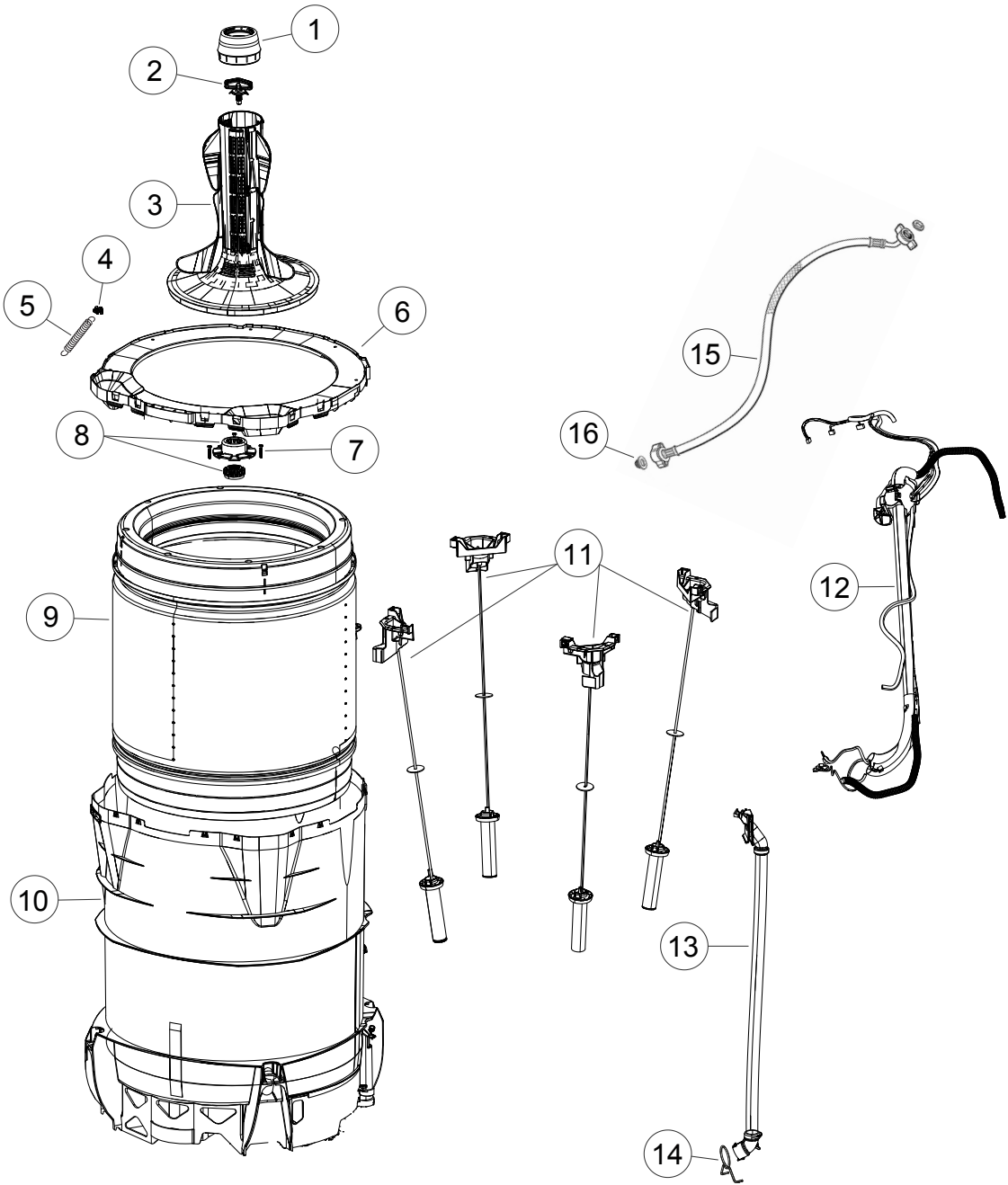
DWG003642

DWG 003642

# WRAPPER

REFERENCE	PART NUMBER	PART DESCRIPTION
<b>1</b>	<b>424593</b>	PACKER BOWL 60
<b>2</b>	<b>424753</b>	COVER EARTH CABINET
<b>3</b>	<b>429150</b>	FELT PAD
<b>4</b>	<b>424929</b>	FIXTURE DRAIN HOSE LOWER
<b>5</b>	<b>424448</b>	INDICATOR LEVEL SQUARE
<b>6</b>	<b>429337</b>	BOOK USE & CARE WS 60
<b>7</b>	<b>424245P</b>	WRAPPER & BASE ASSY
<b>8</b>	<b>424588</b>	PACKER BASE CARTON 60
<b>9</b>	<b>424527</b>	FOOT LEVELLING OVERMOULD
<b>10</b>	<b>424910</b>	BASE ASSEMBLY AS 60
	Includes	FOOT OVERMOULD SA
	Includes	STRAP
<b>11</b>	<b>NS</b>	FOOT OVERMOLD AS

# INNER & OUTER BOWL



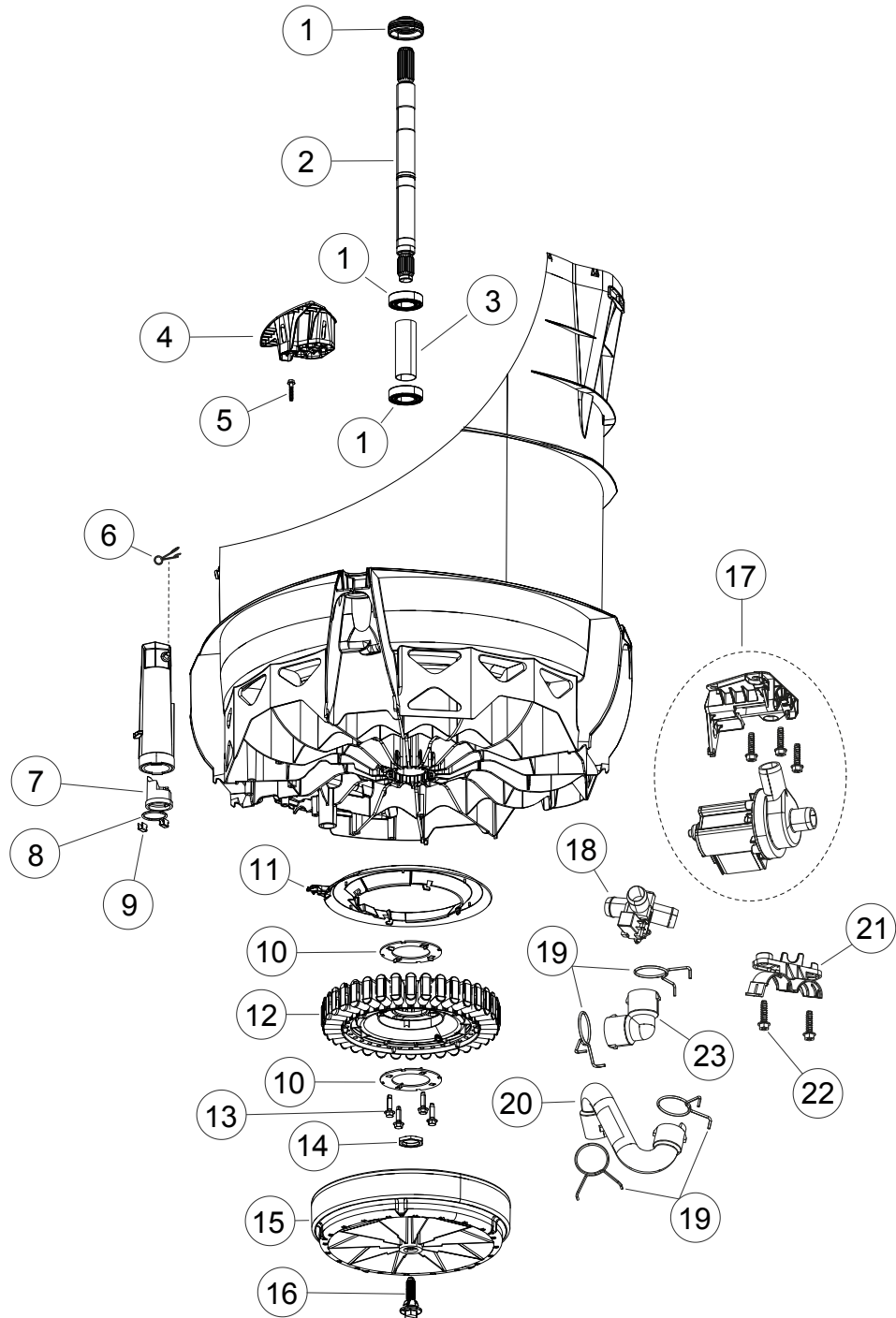
DWG003644

DWG 003644

## INNER & OUTER BOWL

REFERENCE	PART NUMBER	PART DESCRIPTION
<b>1</b>	<b>426993P</b>	<b>DISPENSER ASSEMBLY WHITE PKD</b>
<b>2</b>	<b>420665</b>	<b>BOLT AGITATOR</b>
<b>3</b>	<b>425025P</b>	<b>AGITATOR PKD</b>
<b>4</b>	<b>420197P</b>	<b>CLIP BIAS SPRING SD11</b>
<b>5</b>	<b>424346</b>	<b>SPRING BIAS</b>
<b>6</b>	<b>424939</b>	<b>NECKRING 60</b>
	Includes 424346	SPRING BIAS
	Includes 420197	CLIP BIAS SPRING SD11
	Includes 424945	PAD NECKRING 60
	Includes	NECKRING
<b>7</b>	<b>425131P</b>	<b>SCREW CLUTCH X10 PKD</b>
<b>8</b>	<b>479318P</b>	<b>KIT SPLINE DRIVE</b>
	Includes 425080	SPLINE DRIVEN
	Includes 425596	SPLINE DRIVE ASSY
<b>9</b>	<b>424544P</b>	<b>BOWL INNER ASSY 60 (PKD)</b>
<b>10</b>	<b>424541P</b>	<b>BOWL OUTER ASSY 60 H/PUMP</b>
<b>11</b>	<b>430055P</b>	<b>SUSPENSION CIMA KIT</b>
<b>12</b>	<b>429501P</b>	<b>HOSE &amp; HARNESS ASSY 60 RECIRC</b>
<b>13</b>	<b>424719</b>	<b>PIPE RECIRC 60 ASSY</b>
<b>14</b>	<b>422500</b>	<b>CLAMP HOSE 031.54</b>
<b>15</b>	<b>420375P</b>	<b>HOSE INLET ASSY MIFLEX II(PKD)</b>
	Includes	FILTER INLET PLASTIC
	Includes	CONNECTOR SEAL (2)
	<b>422680P</b>	<b>HOSE INLET LONG (2M) PKD</b>
	Includes	FILTER INLET MIFLEX
	Includes	CONNECTOR SEAL MIFLEX (2)
<b>16</b>	<b>420016P</b>	<b>KIT FILTER/CONNECTOR (2EA)</b>
	Includes 420016	FILTER INLET MIFLEX
	Includes 420017	CONNECTOR SEAL MFLEX (2)

# MOTOR, PUMP & DRIVE



DWG004254

DWG 004254

## MOTOR, PUMP & DRIVE

REFERENCE	PART NUMBER	PART DESCRIPTION
1	429565P	KIT BEARING LIPSEAL
2	420794P	SHAFT DRIVE INT THREAD
3	425007	SPACER BEARING
4	424830	COVER SUMP 60
5	425162P	SCREW COVER X10 PKD
6	425611	CLAMP HOSE 08.5 TALL GRIP
7	425763	PLUG ASSY PRESSURE CHAMBER
8	425149	SEAL O RING PRESSURE CHAMBER
9	613710P	CLIP EDGE (PKT 2)
10	426174P	CLAMP PLATE STATOR LANCED
11	424296P	SHIELD MOTOR UL PKD
12	438446P	STATOR MA35M ASSY
13	426835P	SCREW STATOR (PKT 10)
14	425171	NUT BEARING
15	439025P	ROTOR MA35B ASSY SPARE
	includes	BOLT ROTOR
	includes	KIT ROTOR SERVICE
	includes	ROTOR MA35M ASSY
16	429087P	BOLT ROTOR
17	424793P	PUMP HANNING 60 ASSY
18	426862	VALVE DIVERter SD 10
19	422500	CLAMP HOSE 031.54
20	424695	HOSE DIVERter 60
21	424644	BRACKET DRAIN HOSE 60
22	425150P	SCREW ST 1/4 X 1" PKD 10
23	421801	ELBOW HOSE PUMP

**FISHERPAYKEL.COM**

© Fisher & Paykel Appliances Ltd 2020. All rights reserved.

The product specifications in this document apply to the specific products and models described at the date of issue. Under our policy of continuous product improvement, these specifications may change at any time. You should therefore check with your Dealer to ensure this booklet correctly describes the product currently available.

**NZ AU**

**PRODUCT CODE: 92262-B 01.20**