

FISHER & PAYKEL

FRONTLOAD WASHING MACHINE

WH8560P3 FP AA

PRODUCT CODE: 92288-A

PARTS MANUAL

NZ AU

INTRODUCTION

BRAND	VOLTAGE	MODEL	PRODUCT CODE
Fisher & Paykel	240/208 VAC 60Hz	WH8560P3 FP AA	92288-A

MODELS

The models covered by this manual are listed on the front cover. The information detailed in this manual is subject to change without notice. The latest version is indicated by the reprint date and replaces any earlier editions.

KIT PARTS

Where a part number is shown against the descriptions for kit components, they are also available as separate items. In addition, some parts may be supplied with these kits that are not available as separate items, and are therefore either not listed, or a part number is not shown against the part description in this manual.

PARTS LIST KEY

NI	As a part reference, indicates the part is not illustrated on the diagram.
NOT USED	As a part number, indicates the diagram part reference is not used in this manual.
NS	As a part number, indicates the part is not servicable.

NZ

Fisher & Paykel Appliances Ltd
78 Springs Road, East Tamaki
Manukau 2013
PO Box 58-546 Botany
Manukau 2163
New Zealand

tel: 09 273 0600
fax: 09 273 0656
e-mail: nz.customercare@fisherpaykel.com

AU

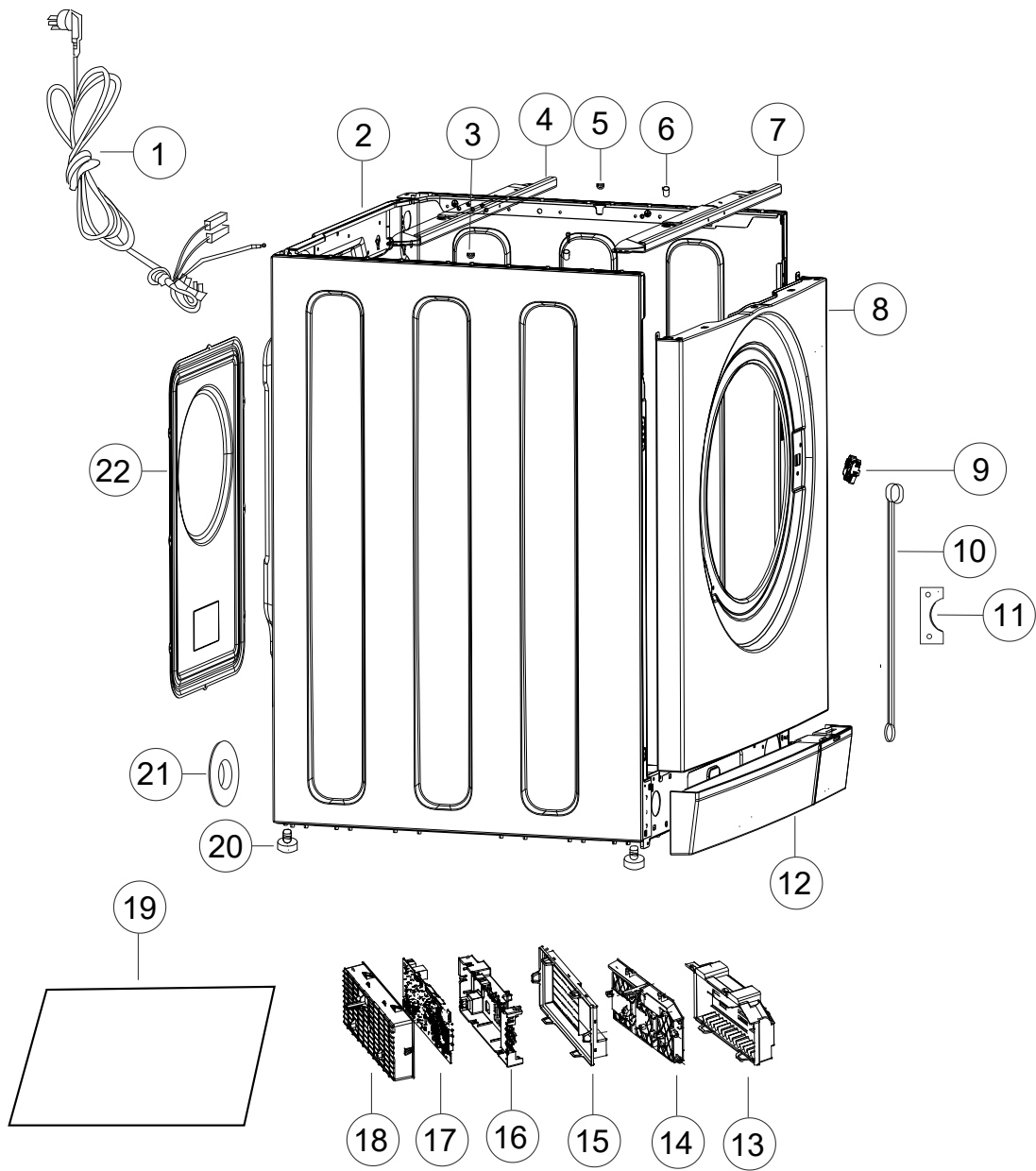
Fisher & Paykel Customer Services Pty Ltd
PO Box 798, Cleveland, QLD 4163
A.C.N. 003 3335 171
19 Enterprise Street
Cleveland, QLD 4163
Australia

tel: 07 3826 9100
fax: 07 3826 9164
e-mail: aus.customercare@fisherpaykel.com

CONTENTS

INTRODUCTION	1
CABINET COMPONENTS	3
CONTROL PANEL COMPONENTS	5
DOOR COMPONENTS	7
DISPENSER & WIRING COMPONENTS	9
DRUM COMPONENTS	11

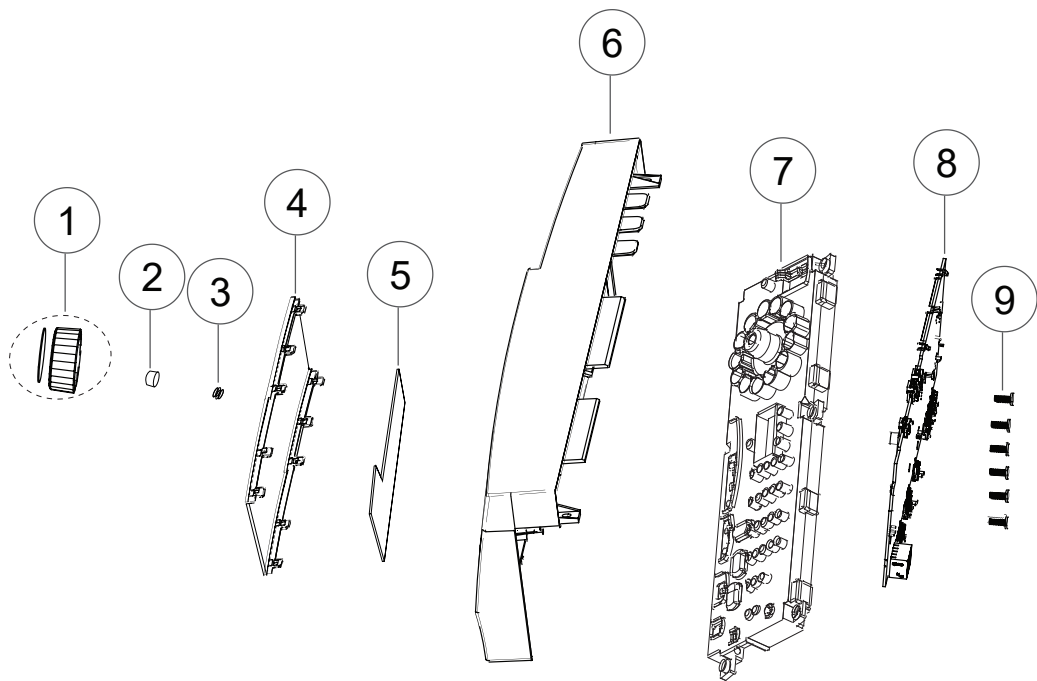
CABINET COMPONENTS



CABINET COMPONENTS

REFERENCE	PART NUMBER	PART DESCRIPTION
1	H0020400196FD	POWER CORD
2	H0020808260HN	TOP COVER BRACKET
3	H002-012G8010107	SCREW
4	H0020100812A	BRACKET MAIN BEAM
5	H00214800503000	SUPPORT SPRING
6	H0020600491	GUIDE TOP COVER
7	H0020103067A	BRACKET FRONT
8	H0020101331A	FRONT PANEL
9	H0024000128D	DOOR LOCK
10	H0020202683A	DOOR LOCK PLASTIC POLE
11	H0020102938C	BRACKET DOOR MOUNTING
12	H0020808506AA	PANEL KICK STRIP
13	H0020205541	COVER MOTOR CONTROLLER
14	H0021800035WA	DRIVEN BOARD
15	H0020204663A	POWER BOARD LID
16	H0020204664A	POWER BOARD PLATE
17	H0021800139	POWER SUPPLY BOARD
18	H0020204665	POWER BOARD PLATE
19	H0020100547N	BASE PANEL
20	H0020300170N	FOOT WH1060P1
21	H0020204516	DRAIN HOSE HOLDER
22	H0020808584	PANEL REAR COVER

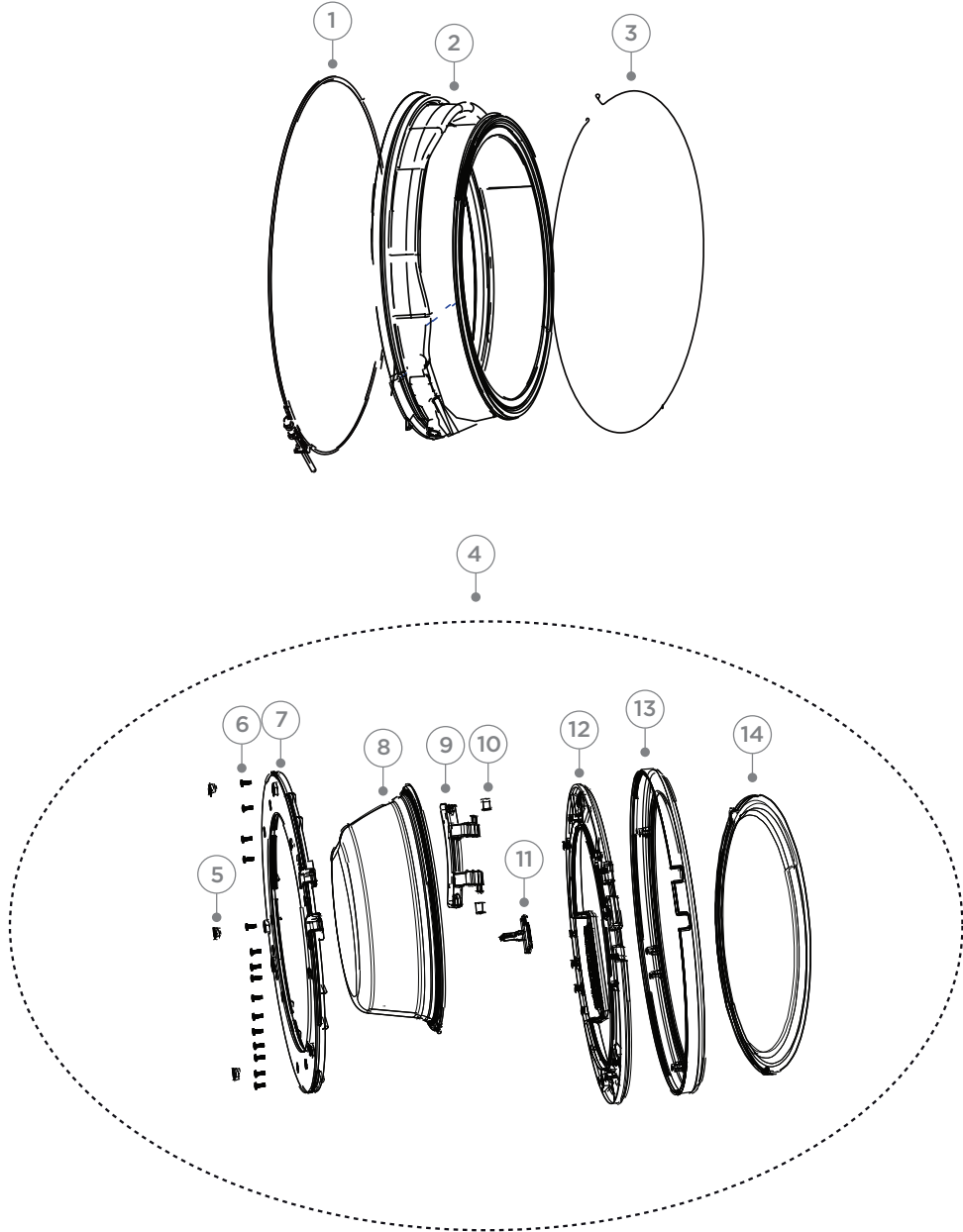
CONTROL PANEL COMPONENTS



CONTROL PANEL COMPONENTS

REFERENCE	PART NUMBER	PART DESCRIPTION
1	H0020808449	KNOB PROGRAMME SELECTOR
2	H0020207604AA	BUTTON PRESS
3	H0020102832	SPRING FUNCTION BUTTON
4	H0020507259P	DECAL
5	H0021800047B	PCB BUTTON TOUCH
6	H0020204017B	PANEL DISPLAY CONTROLLER
7	H0020205421	HOUSING PCB
8	H0021800119B	PCB BOARD
9	H0020600093A	SCREW

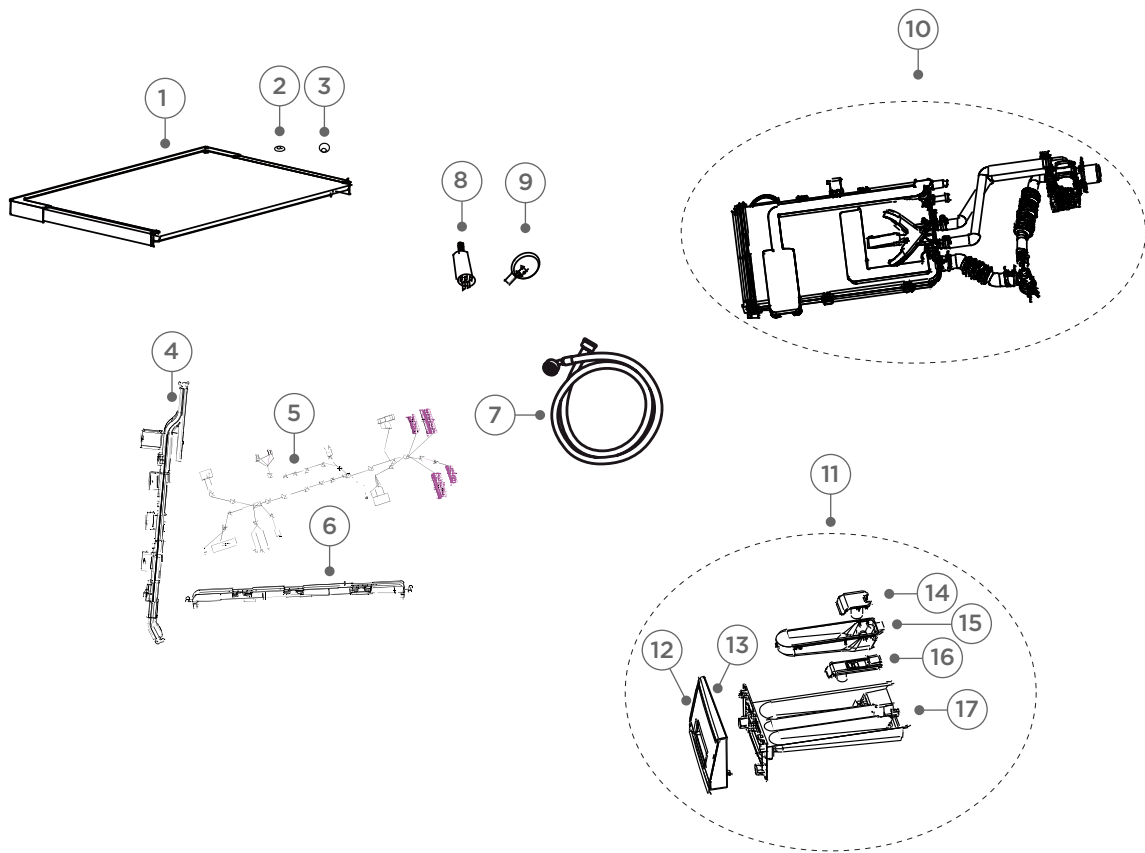
DOOR COMPONENTS



DOOR COMPONENTS

REFERENCE	PART NUMBER	PART DESCRIPTION
1	H0020600081	CLAMP DOOR BELLOWS
2	H0020300601M	GASKET WINDOW
3	H0020600211	CLAMP TUB BELLOWS
4	H0020808561F	DOOR ASSY
5	H0020300740	BUFFER DOOR INNER
6	H00330810009	SCREW SELF TAPPING
7	H0020204108A	COVER INNER DOOR
8	H0021400015	PORTHOLE DOOR
9	H0020100677	HINGE
10	H0020201212	CAP HINGE
11	H0020100284A	HOOK DOOR LATCH
12	H0020205422	FRAME MIDDLE
13	H0020207580	DOOR GLASS OUTER
14	H0020205423A	DOOR WINDOW

DISPENSER & WIRING COMPONENTS



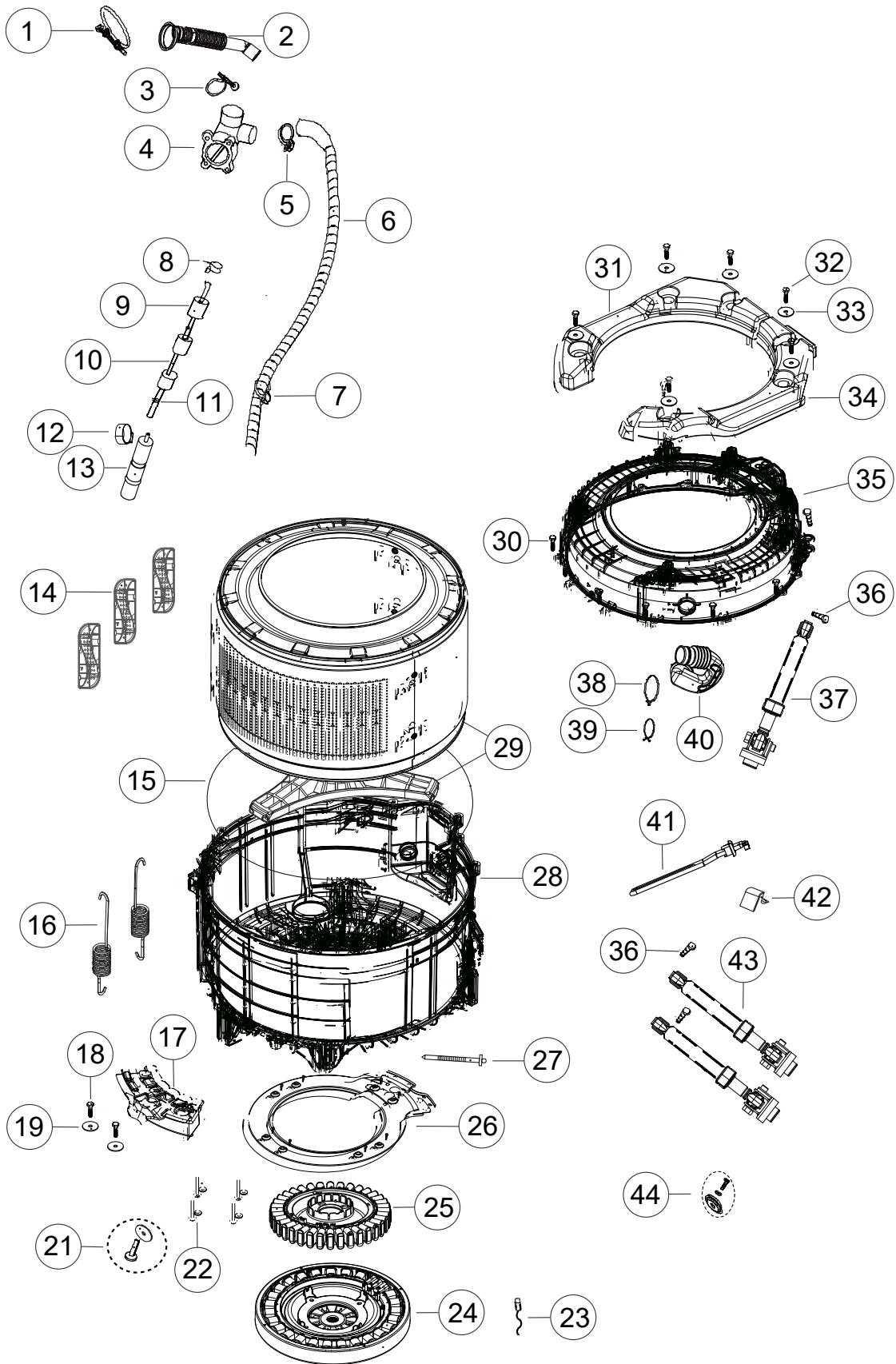
DISPENSER & WIRING COMPONENTS

REFERENCE	PART NUMBER	PART DESCRIPTION
1	H0020807968X	TOP COVER
2	H00215000000001A	NUT
3	H00217440540612	WASHER RFI FILTER
4	H0020204469	GUIDE HARNESS LONG
5	H0020400416B	WIRING HARNESS
6	H0020204470	GUIDE HARNESS SHORT
7	H0020300158A	HOSE INLET AW COLD
8	H0024000247S	SUPRESSOR INTERFERENCE
9	H0024000399AB	PRESSURE SWITCH
10	H0020810355J	MODULE STORAGE TANK
11	H0020810387V	DISPENSER DETERGENT ASSY
12	H0020507258W	DECAL HANLDE DISPENSER
13	H0020204099B	HANDLE DISPENSER
14	H0020205096	COVER
15	H0020205095	DISPENSER BOX
16	H0020205097	SYPHON DISPENSER
17	H0020205098	DISPENSER

DRUM COMPONENTS

REFERENCE	PART NUMBER	PART DESCRIPTION
1	H00297023000100A	CLAMP TUB DRAIN HOSE
2	H0020300387A	HOSE TUB PUMP
3	H00215200294400A	CLAMP PUMP INNER HOSE
4	H0020808482AA	DRAIN PUMP
5	H00297023000100A	CLAMP TUB DRAIN HOSE
6	H0020300148	HOSE DRAIN
7	H00221123015002	BRACKET DRAIN HOSE
8	H00218210650611A	CLIP
9	H00212500011100	SPONGE PROTECTOR PRESSURE TUBE
10	H00214401362902A	TUBE PRESSURE
11	H00211320015200A	CLIP
12	H00215200004402	CLIP PRESSURE TUBE
13	H0020202906	AIR BELL
14	H0020205687	DRUM VEIN
15	H0020300510	SEAL TUB FRONT TO REAR
16	H0020600214	SPRING SUSPENSION
17	H0020301498	COUNTERWEIGHT FRONT
18	H0020600285	BOLT COUNTERWEIGHT
19	H0020600147A	WASHER COUNTER WEIGHT
21	H0020600404	BOLT ROTOR
22	H0020600405	SCREW STATOR
23	H0024000327B	LIGHT BULB
24	H0024000329	ROTOR
25	H0024000329A	STATOR
26	H0020809325Y	SHIELD MOTOR
27	H00214800909100	CLIP HARNESS
28	H0020812025GA	REAR TUB ASSEMBLY
29	H0020808261BB	DRUM INNER
30	H00215100001000	BOLT TUB FASTNER
31	H0020301530	COUNTERWEIGHT LH
32	H0020600285	BOLT COUNTERWEIGHT
33	H0020600147A	WASHER COUNTER WEIGHT
34	H0020301531	COUNTERWEIGHT RH
35	H0020203541B	OUTER CYLINDER ASSEMBLY

DRUM COMPONENTS



DRUM COMPONENTS

REFERENCE	PART NUMBER	PART DESCRIPTION
36	H0020205577	PIN SHOCK ABSORBER
37	H0020808145G	ABSORBER SHOCK (60N)
38	H00211320018800A	CLAMP 43 TUB DISPENSER
39	H00218230550611	CLIP DISPENSOR HOSE
40	H0020300797	HOSE DISPENSER TUB
41	H0024000279D	HEATING ELEMENT
42	H0020100432	BRACKET HEATER
43	H0020808145G	ABSORBER SHOCK (60N)
44	H0020600403	BOLT SHOCK ABSORBER
NI	H0020100654	SPANNER INSTALLATION
NI	H0020809962B	TRANSIT BOLT

FISHERPAYKEL.COM

© Fisher & Paykel Appliances 2021. All rights reserved.

The models shown in this guide may not be available in all markets
and are subject to change at any time.

The product specifications in this guide apply to the specific products and
models described at the date of issue. Under our policy of continuous product
improvement, these specifications may change at any time.

For current details about model and specification availability in your country,
please go to our website or contact your local Fisher & Paykel dealer.

PRODUCT CODE: 92288-A 01.21