

*Fisher & Paykel*

CLEANSMART® Washer  
WL1068P1 FP AA  
Product Code: 93222-A

## Parts Manual

Brand:	Fisher & Paykel
Voltage:	220-240V, 50Hz
Model:	WL1068P1 FP AA
Product Code:	93222-A

### Models

- The model covered by this manual is listed on the front cover.
- The information detailed in this manual is subject to change without notice. The latest version is indicated by the reprint date and replaces any earlier editions.

### Kit Parts

Kit components are shown in *italics*. Where a part number is shown against the descriptions for these kit components, they are also available as separate items. In addition, some parts may be supplied with these kits that are not available as separate items, and are therefore either not listed, or a part number is not shown against the part description in this manual.

### Parts List Key

<i>italics</i>	Kit components or parts included are shown in italics. Refer to above notes: Kit Parts.
NI	As a part reference, indicates the part is not illustrated on the diagram.
NOT USED	As a part number, indicates the diagram part reference is not used in this manual.

TOP DECK & ELECTRONICS	4
WRAPPER	6
INNER & OUTER BOWL	8
MOTOR, PUMP & DRIVE	12

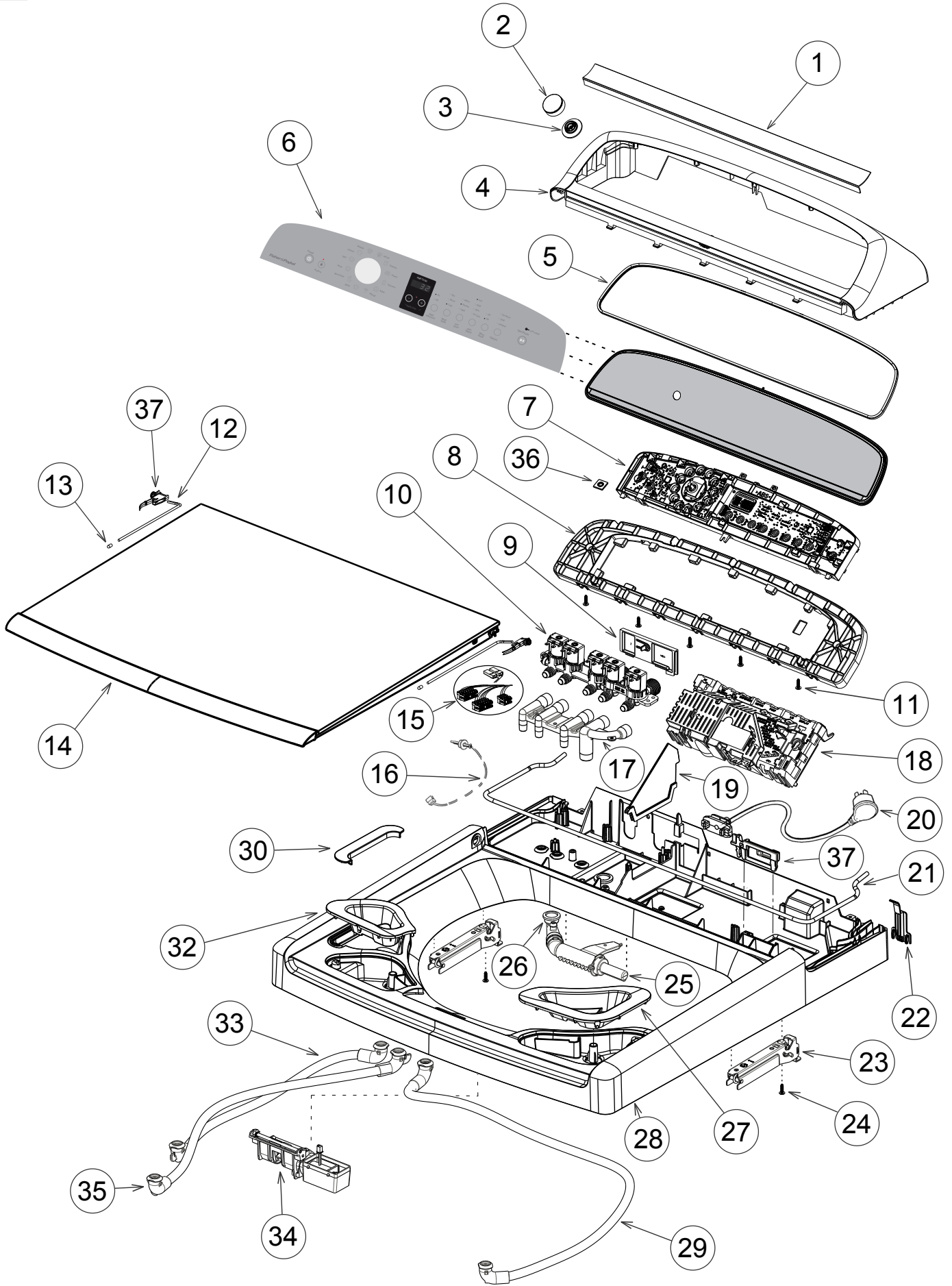
Fisher & Paykel Appliances Ltd  
78 Springs Road, East Tamaki,  
Manukau 2013,  
PO Box 58-732, Botany,  
Manukau 2163,  
New Zealand

tel: (09) 2730660  
fax: (09) 2730580  
email: [customer.care@fp.co.nz](mailto:customer.care@fp.co.nz)

Fisher & Paykel Customer Services Pty Ltd  
PO Box 798, Cleveland, QLD 4163  
A.C.N. 003 3335 171  
19 Enterprise Street  
Cleveland, QLD 4163  
Australia

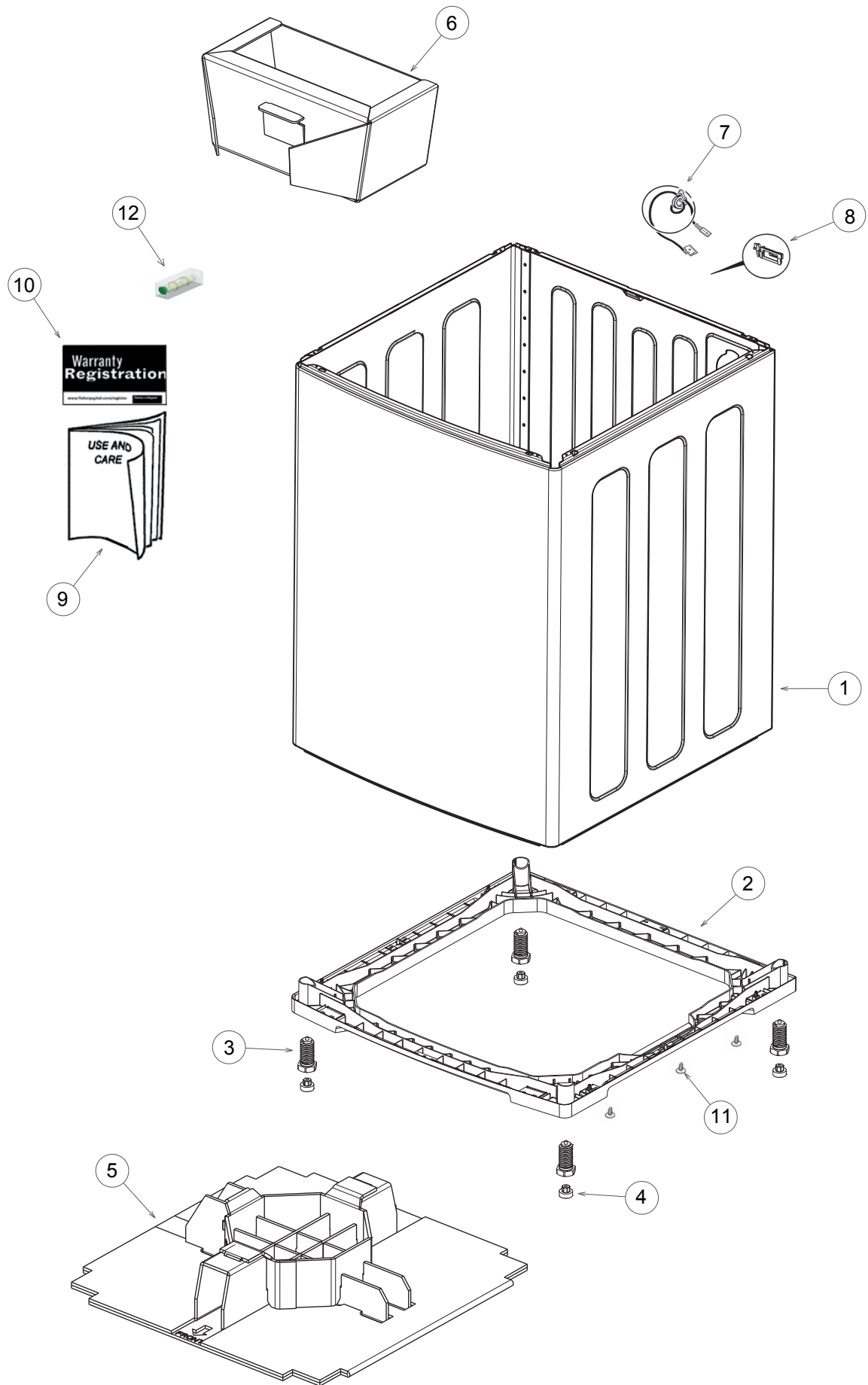
tel: 07 3826 9100  
fax: 07 3826 9164

4 TOP DECK & ELECTRONICS



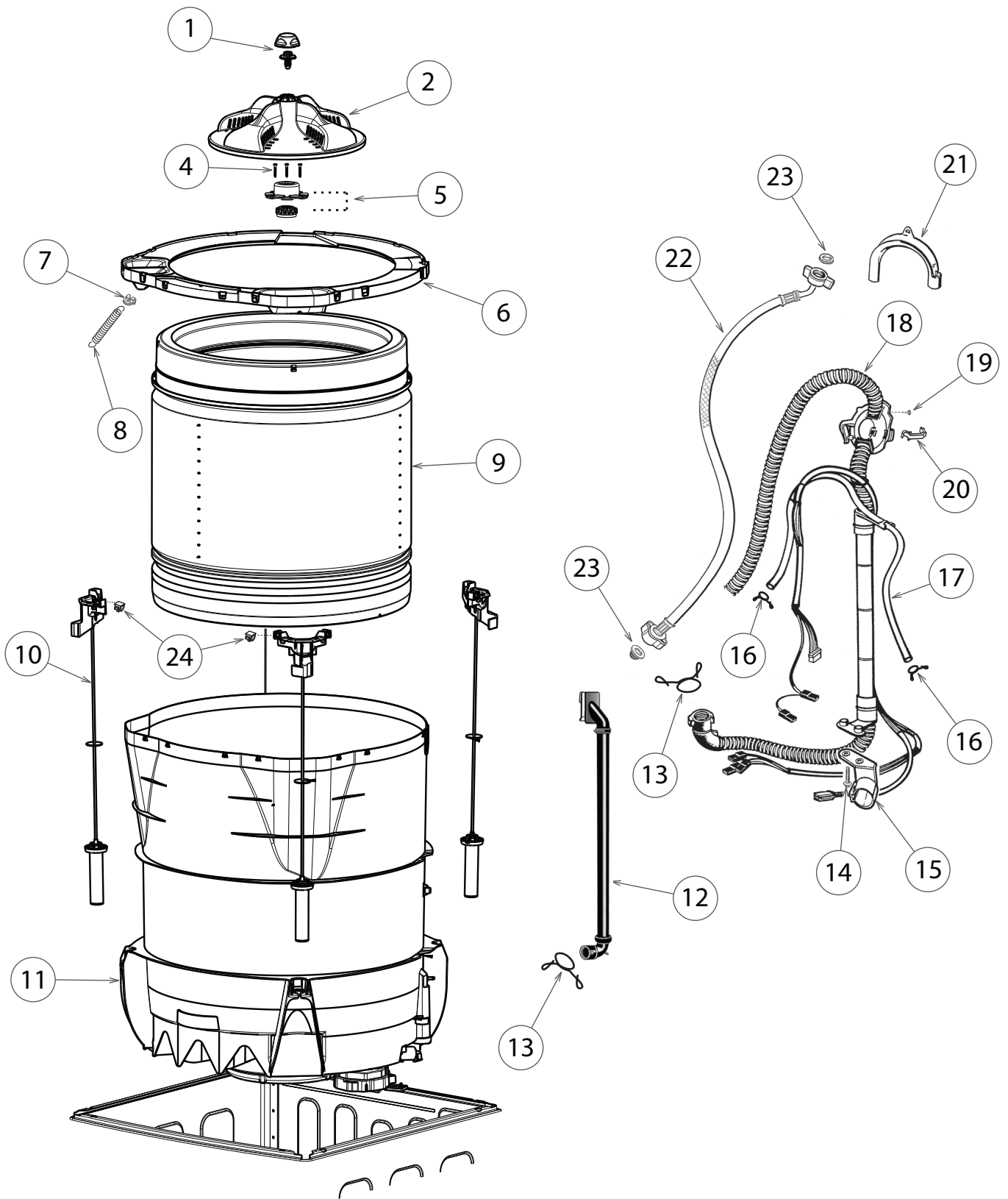
REF.	PART NUMBER	PART DESCRIPTION
1	424019	BRIDGE TRIM LID AQS 68
2	424224	DIAL SS AQS ASSY
3	424115	BEZEL HALO 68
4	421689P	CONSOLE 68
5	424126	SEAL FASCIA 68
6	424215	FASCIA IML CS HIGH AA68
7	421747P	MODULE DISPLAY AQS 68 SVC
8	424110	BRACKET HOUSING DSPLY 68
9	424131	COVER BITRON VALVES
10	424137P	VALVE DISP BITRON NZ/AU PKD
NI	388491P	CAP VALVE PKD
11	611805P	SCREW ST 8X16 PLASTITE PKT 10
12	421867	ARM HINGE METAL
13	424359	RETAINER ARM
14	424480P	LID ASSY GLASS CERAMIC 68 PKD
15	424063	HARNESS VALVE 5 DISP 68
16	421166	THERMISTOR ASSY EPCOS
17	424134	MANIFOLD DISPENSING 68
18	424310NAP	MODULE MC 68 PH9 230V 3UD NEW
19	424237	WALL PARTITION TOPDECK
20	424225	CORDSET AA SR TOROID
21	426071	GASKET CONSOLE FOAM
22	424155	COVER TOPDECK WIRING 68
23	421952	HINGE LID GLASS 68
24	611811P	SCREW ST 8X1/2 PAN SS (PKT10)
25	420833P	NOZZLE SPRAY FILL ASSY
26	424056	ELBOW INLET 68
27	424164	COVER WASH BOOST 68
28	421732P	TOPDECK SUB ASSY AQS 68
	Includes 420738	CLAMP HARNESS TOPDECK
	Includes	GASKET DISPENSER DIA 3MMX155MM
	Includes	TOPDECK DISPENSING 68
	Includes 424178	COVER DETERGENT PRINTED 68
	Includes	VALVE TOPDECK DRAIN
29	478149	HOSE DISPENSING BLEACH
30	424178	COVER DETERGENT PRINTED 68
32	424172	COVER SOFTENER PRINTED 68
33	424321	HOSE DIS DETERGENT CREAM
34	420700P	LIDLOCK ASSY SD14 PKD
35	421988	HOSE DISP SOFTENER 68
36	424394	SEAL HOUSING FASCIA 68
37	424037	INSERT LID GLASS

6 WRAPPER



REF.	PART NUMBER	PART DESCRIPTION
<b>1</b>	424057P	<b>WRAPPER &amp; BASE ASSY 68 PKD</b>
	<i>Includes</i>	<i>WRAPPER</i>
	Includes 421642	BASE 68
	Includes 424393	FOOT LEVELLING NON ROTATE
	Includes 424142	PAD SOUND DEADENING
	Includes 611814P	SCREW SD 10X16 WAF PH ZNPL (PKT 10)
<b>2</b>	421642	<b>BASE 68</b>
<b>3</b>	424393	<b>FOOT LEVELLING NON ROTATE</b>
<b>4</b>	479183P	<b>INSERT FOOT X4 PKD</b>
<b>5</b>	421767	<b>PACKER BASE CARTON 68</b>
<b>6</b>	421692	<b>PACKER BOWL 68</b>
<b>7</b>	420877	<b>WIRE CABINET EARTH RFI CHOKE</b>
<b>8</b>	426058	<b>COVER EARTH CLIP</b>
<b>9</b>	421752	<b>BOOK USE &amp; CARE AQS 68</b>
<b>10</b>	820303	<b>CARD REGISTRATION FP AA</b>
<b>11</b>	611814P	<b>SCREW SD 10X16 WAF PH ZNPL (PKT 10)</b>
<b>12</b>	424448	<b>INDICATOR LEVEL SQUARE</b>

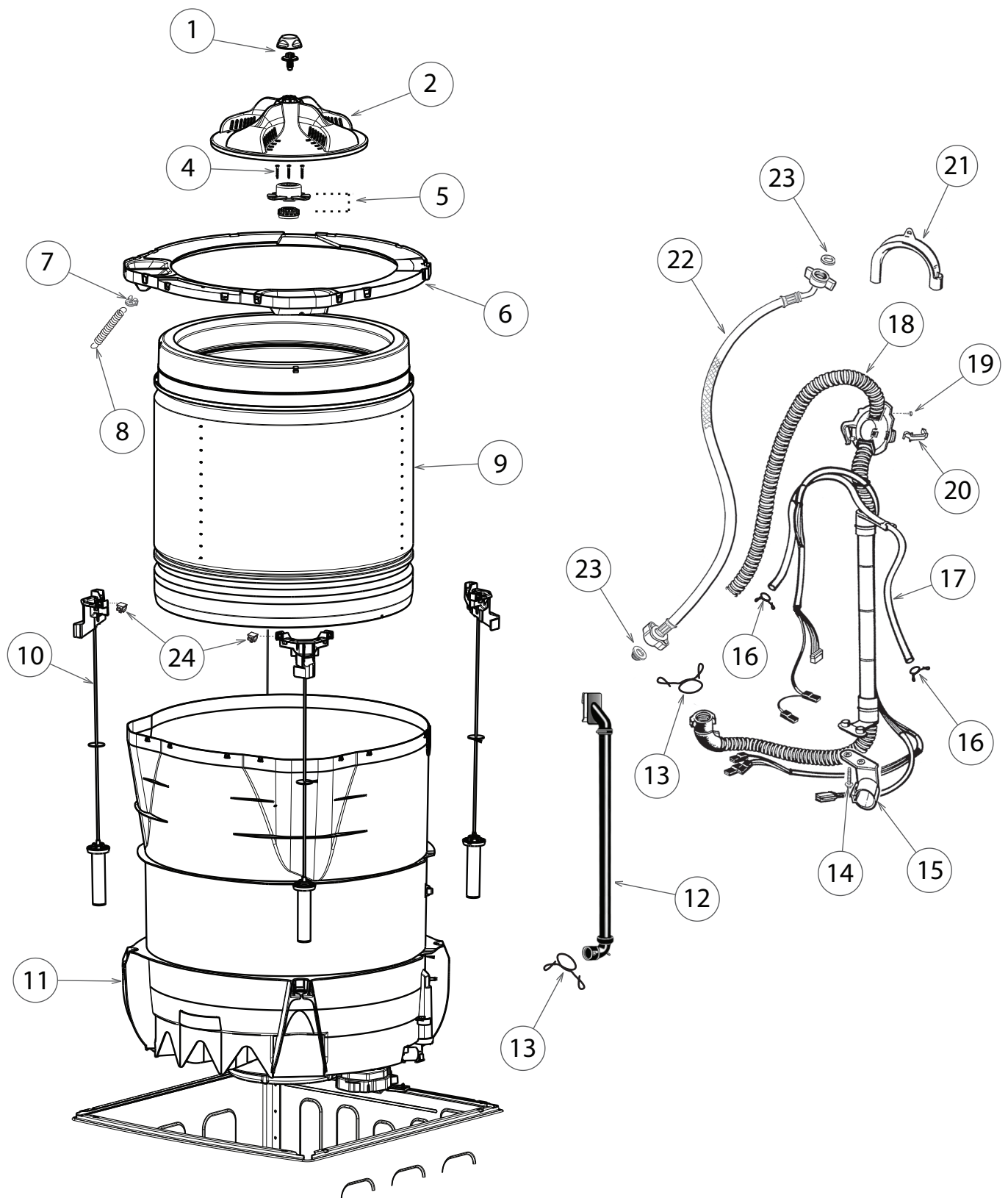
8 INNER & OUTER BOWL



DWG002821

REF.	PART NUMBER	PART DESCRIPTION
<b>1</b>	421040P	<b>CAP &amp; BOLT KIT WHITE</b>
	<i>Includes</i>	CAP AGITATOR LP
	<i>Includes</i>	BOLT AGITATOR LP
<b>2</b>	421270	<b>WASHPLATE PUMPING</b>
<b>4</b>	425131P	<b>SCREW CLUTCH</b>
<b>5</b>	479318P	<b>KIT SPLINE DRIVE PKD</b>
	Includes 425080	SPLINE DRIVEN
	Includes 425596	SPLINE DRIVE
<b>6</b>	424210	<b>NECKRING ASSEMBLY 68</b>
	Includes 420197P	CLIP BIAS SPRING SD11
	<i>Includes</i>	NECKRING 68
	<i>Includes</i>	PAD NECKRING 68
	Includes 424346	SPRING BIAS 68
<b>7</b>	420197P	<b>CLIP BIAS SPRING SD11 PKD</b>
<b>8</b>	424346	<b>SPRING BIAS</b>
<b>9</b>	421664P	<b>BOWL INNER ASSY 68</b>
	Includes 425080	SPLINE DRIVEN
	Includes 425131P	SCREW CLUTCH (3)
	includes 425596	SPLINE DRIVE ASSY
<b>10</b>	421841P	<b>SUSPENSION 68 PKT (x4)</b>
<b>11</b>	421836P	<b>BOWL OUTER ASSY S/PUMP 68</b>
	<i>Includes</i>	BOWL OUTER ASSY
	Includes 472867P	CLIP WIRING OUTER BOWL (3)
	Includes 613709P	CLIP PIPE UNITED CARR FR19280-ZNPL
	Includes 425763	PLUG ASSEMBLY PRESSURE CHAMBER
	Includes 613710P	CLIP EDGE (2)
	Includes 425006P	BEARING 6005 2RSH/C3 (2)
	Includes 425007	SPACER BEARING
<b>12</b>	424128	<b>HOSE RECIRC ASSY S/PUMP 68</b>
<b>13</b>	420677	<b>CLAMP HOSE DIA33 SAFE</b>
<b>14</b>	425150P	<b>SCREW ST 1/4 X 1" PLASTITE 60</b>
<b>15</b>	425503	<b>BRACKET DRAIN HOSE</b>
<b>16</b>	425611	<b>CLAMP HOSE 08.5 TALL GRIP</b>
<b>17</b>	424227	<b>TUBE PRESSURE SWITCH</b>
<b>18</b>	421696	<b>HOSE &amp; HARNESS ASSY S/PUMP 68</b>
<b>19</b>	611933P	<b>SCREW ST 8X5/8 TA MTS PH H5 ZN</b>
<b>20</b>	425487	<b>CLIP FIXTURE DRAIN HOSE</b>
<b>21</b>	420667P	<b>GUIDE DRAIN HOSE</b>

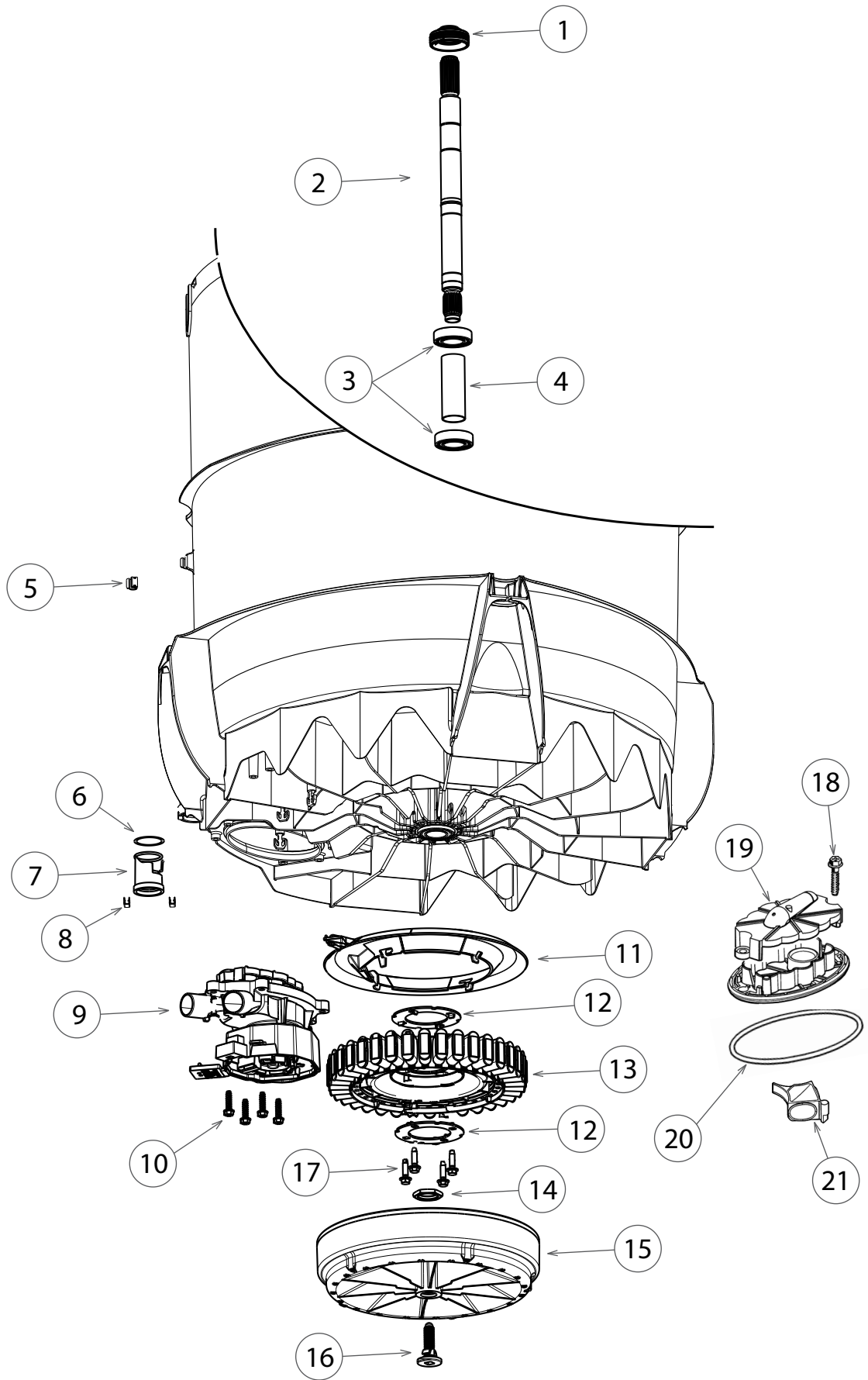
10 INNER & OUTER BOWL



DWG002821

REF.	PART NUMBER	PART DESCRIPTION
<b>22</b>	420375P	<b>HOSE INLET ASSY MIFLEX II(PKD)</b>
	<i>Includes</i>	<i>FILTER INLET PLASTIC</i>
	<i>Includes</i>	<i>CONNECTOR SEAL (2)</i>
	422680P	<b>HOSE INLET LONG (2M) PKD</b>
	<i>Includes</i>	<i>FILTER INLET MIFLEX</i>
	<i>Includes</i>	<i>CONNECTOR SEAL MIFLEX (2)</i>
<b>23</b>	420016P	<b>KIT FILTER/CONNECTOR (2EA)</b>
	<i>Includes</i> 420016	<i>FILTER INLET MIFLEX</i>
	<i>Includes</i> 420017	<i>CONNECTOR SEAL MIFLEX (2)</i>
<b>24</b>	424390	<b>PAD WEAR BRACKET SUSP</b>

12 MOTOR, PUMP & DRIVE



REF.	PART NUMBER	PART DESCRIPTION
<b>1</b>	425009P	<b>LIPSEAL PKD</b>
<b>2</b>	420794P	<b>SHAFT DRIVE INT THREAD</b>
	<i>Includes</i>	<i>SHAFT DRIVE INT</i>
	<i>Includes 420664P</i>	BOLT ROTOR
	<i>Includes 420665</i>	BOLT AGITATOR (Not required or used for this model)
<b>3</b>	425006P	<b>BEARING 6005LLU PKD</b>
<b>4</b>	425007	<b>SPACER BEARING</b>
<b>5</b>	613709P	<b>CLIP PIPE UNITED CARR FT19280 ZNPL (PKT 10)</b>
<b>6</b>	425149	<b>SEAL O RING PRESSURE CHAMBER</b>
<b>7</b>	425763	<b>PLUG ASSY PRESSURE CHAMBER</b>
	<i>Includes 425097</i>	PLUG PRESSURE CHAMBER
	<i>Includes 425149</i>	SEAL O RING PRESSURE CHAMBER
<b>8</b>	613710P	<b>CLIP EDGE (PKT 2)</b>
<b>9</b>	479627	<b>SMARTPUMP 4 SCREW ASSY KIT</b>
<b>10</b>	425150P	<b>SCREW 1/4 X 1 PLASTITE 60 (PKT 10)</b>
<b>11</b>	424296P	<b>SHIELD MOTOR UL PKD</b>
<b>12</b>	426174P	<b>CLAMP PLATE STATOR LANCED</b>
<b>13</b>	429563P	<b>KIT STATOR MA35M ASSEMBLY</b>
	<i>Includes</i>	<i>STATOR ASSY 0.6 AL</i>
<b>14</b>	425171	<b>NUT BEARING</b>
	<i>Includes 420664</i>	<i>BOLT ROTOR</i>
<b>16</b>	420664P	<b>BOLT ROTOR</b>
<b>17</b>	426835P	<b>SCREW STATOR (PKT 10)</b>
<b>18</b>	425162P	<b>SCREW COVER (PKT 10)</b>
<b>19</b>	479418	<b>HOOD &amp; CAP (SMART PUMP) KIT</b>
<b>20</b>	479420	<b>SEAL (SMART PUMP) HOUSING PKD</b>
	<i>Includes 421124P</i>	SEAL PUMP D PROFILE
<b>21</b>	420403P	<b>VALVE FLAPPER (SMART PUMP)</b>

*Fisher & Paykel*  
appliances

customer care™

[www.fisherpaykel.com](http://www.fisherpaykel.com)

*Fisher & Paykel*

Copyright © Fisher & Paykel 2013. All rights reserved.

The product specifications in this booklet apply to the specific products and models described at the date of issue. Under our policy of continuous product improvement, these specifications may change at any time. Only use this manual if the product code on the front matches the product code on the serial label of the product.