

# **PARTS MANUAL**

**CleanSmart™ Washer**

WL1068P1 FP AA

Product Code  
**93240-A**

**AU NZ**

***Fisher & Paykel***

# CONTENTS

---

INTRODUCTION	2
TOP DECK & ELECTRONICS	3
WRAPPER	7
INNER & OUTER BOWL	9
MOTOR, PUMP & DRIVE	13

# INTRODUCTION

---

<b>BRAND</b>	<b>VOLTAGE</b>	<b>MODEL</b>	<b>PRODUCT CODE</b>
Fisher & Paykel	220-240V 50Hz	WL1068P1 FP AA	93240-A

---

## MODELS

- ▮ The models covered by this manual are listed on the front cover.
- ▮ The information detailed in this manual is subject to change without notice. The latest version is indicated by the reprint date and replaces any earlier editions.

## KIT PARTS

Kit components are shown in italics. Where a part number is shown against the descriptions for these kit components, they are also available as separate items. In addition, some parts may be supplied with these kits that are not available as separate items, and are therefore either not listed, or a part number is not shown against the part description in this manual.

## PARTS LIST KEY

<b>ITALICS</b>	Kit components or parts included are shown in italics. Refer to above notes: Kit Parts.
<b>NI</b>	As a part reference, indicates the part is not illustrated on the diagram.
<b>NOT USED</b>	As a part number, indicates the diagram part reference is not used in this manual.
<b>NS</b>	As a part number, indicates the part is not servicable.

---

## NZ

Fisher & Paykel Appliances Ltd  
78 Springs Road, East Tamaki  
Manukau 2013  
PO Box 58-546 Botany  
Manukau 2163  
New Zealand

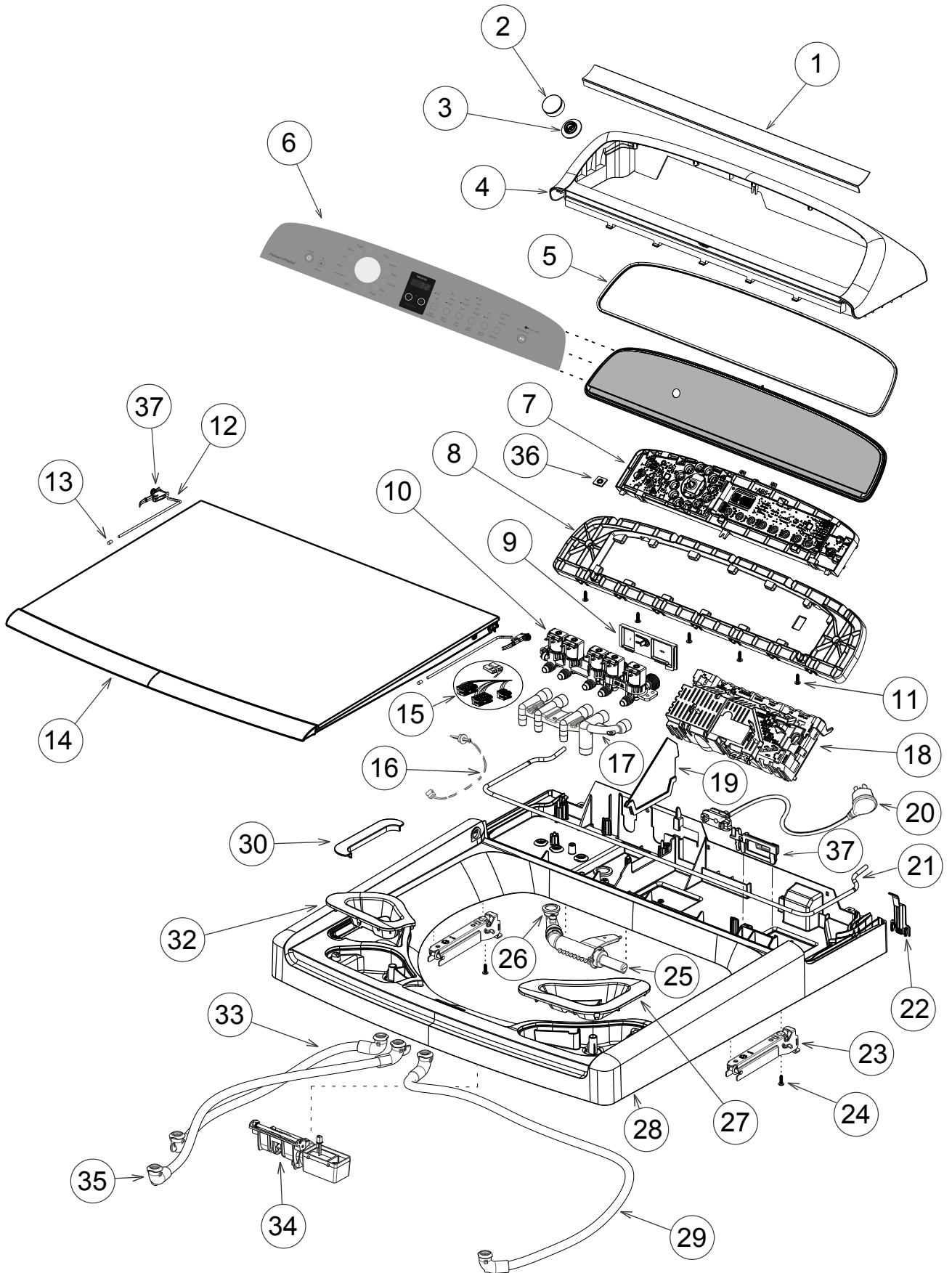
tel: 09 273 0600  
fax: 09 273 0656  
e-mail: nz.customercare@fisherpaykel.com

## AU

Fisher & Paykel Customer Services Pty Ltd  
PO Box 798, Cleveland, QLD 4163  
A.C.N. 003 3335 171  
19 Enterprise Street  
Cleveland, QLD 4163  
Australia

tel: 07 3826 9100  
fax: 07 3826 9164  
e-mail: aus.customercare@fisherpaykel.com

# TOP DECK & ELECTRONICS



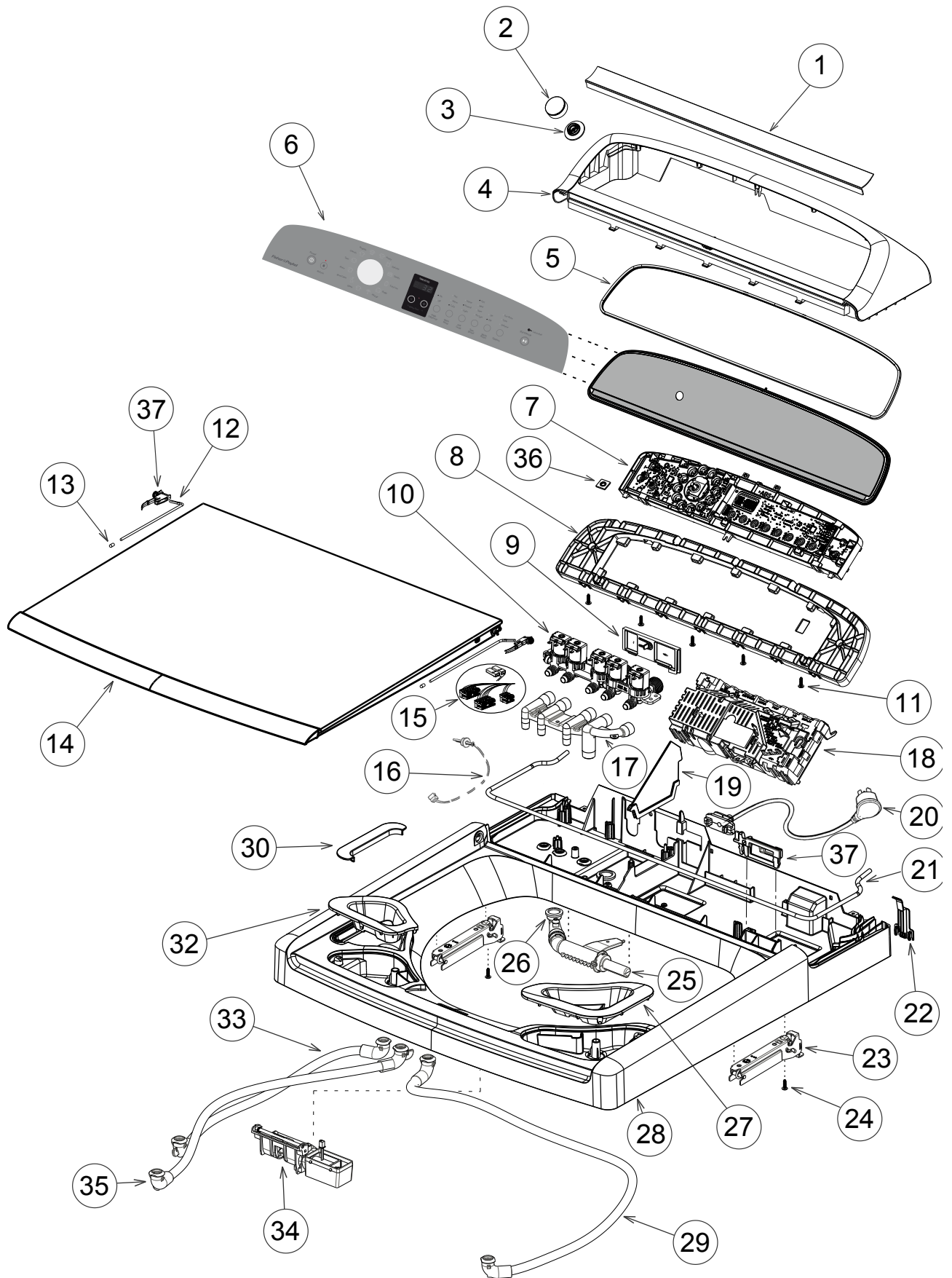
DWG002806

DWG 002806

## TOP DECK & ELECTRONICS

REFERENCE	PART NUMBER	PART DESCRIPTION
1	424019	BRIDGE TRIM LID AQS 68
2	424224	DIAL SS AQS ASSY
3	424115	BEZEL HALO 68
4	421689P	CONSOLE 68
5	424126	SEAL FASCIA 68
6	424215	FASCIA IML CS HIGH AA68
7	424908P	MOD DISP KNOB 68 SVC
8	424110	BRACKET HOUSING DSPLY 68
9	424131	COVER BITRON VALVES
10	424137P	VALVE DISP BITRON NZ/AU PKD
NI	388491P	CAP VALVE PKD
11	611805P	SCREW ST 8X16 PLASTITE PKT 10
12	421867	ARM HINGE METAL
13	424359	RETAINER ARM
14	424480P	LID ASSY GLASS CERAMIC 68 PKD
15	424063	HARNESS VALVE 5 DISP 68
16	429538	THERMISTOR ASSY SVC KIT AA
17	424134	MANIFOLD DISPENSING 68
18	429216NAP	MOD MC SD9 S5N 230V V85 NZ/AU
19	424237	WALL PARTITION TOPDECK
20	429440	CORDSET AA 68
21	426071	GASKET CONSOLE FOAM
22	424155	COVER TOPDECK WIRING 68
23	421952	HINGE LID GLASS 68
24	611811P	SCREW ST 8X1/2 PAN SS (PKT10)
25	420833P	NOZZLE SPRAY FILL ASSY
26	424056	ELBOW INLET 68
27	424164	COVER WASH BOOST 68
28	421732P	TOPDECK SUB ASSY AQS 68
	Includes 420738	CLAMP HARNESS TOPDECK
	Includes	GASKET DISPENSER DIA 3MMX155MM
	Includes	TOPDECK DISPENSING 68
	Includes 424178	COVER DETERGENT PRINTED 68
	Includes	VALVE TOPDECK DRAIN

# TOP DECK & ELECTRONICS



DWG002806

DWG 002806

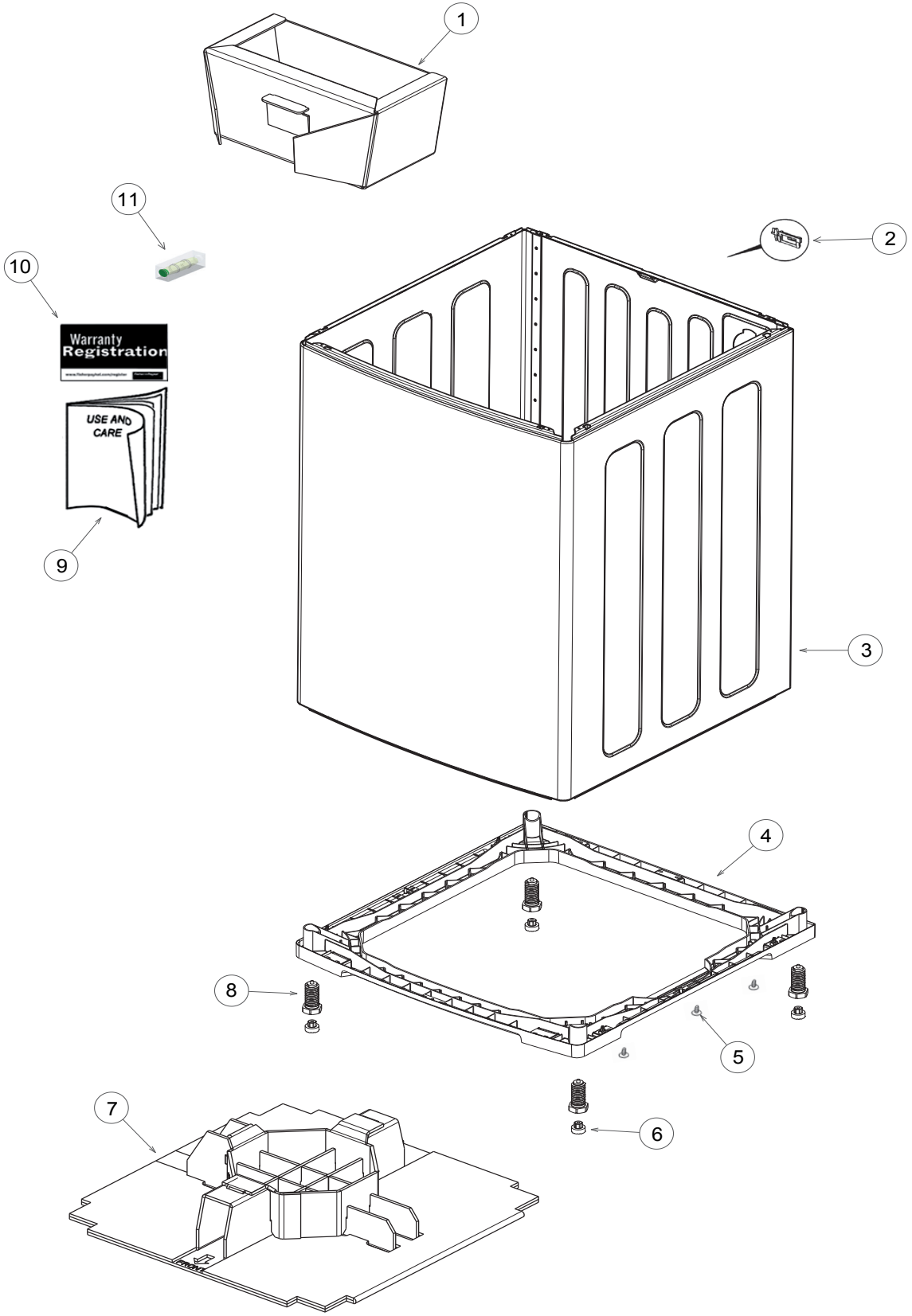
## TOP DECK & ELECTRONICS

---

REFERENCE	PART NUMBER	PART DESCRIPTION
29	478149	HOSE DISPENSING BLEACH
30	424178P	COVER DETERGENT PRINTED 68 PKD
32	424172	COVER SOFTENER PRINTED 68
33	424321	HOSE DIS DETERGENT CREAM
34	424314P	LIDLOCK & HARN ASSY D14 PKD
35	421988	HOSE DISP SOFTENER 68
36	424394P	SEAL HOUSING FASCIA 68 PKD
37	424037	INSERT LID GLASS

---

# WRAPPER



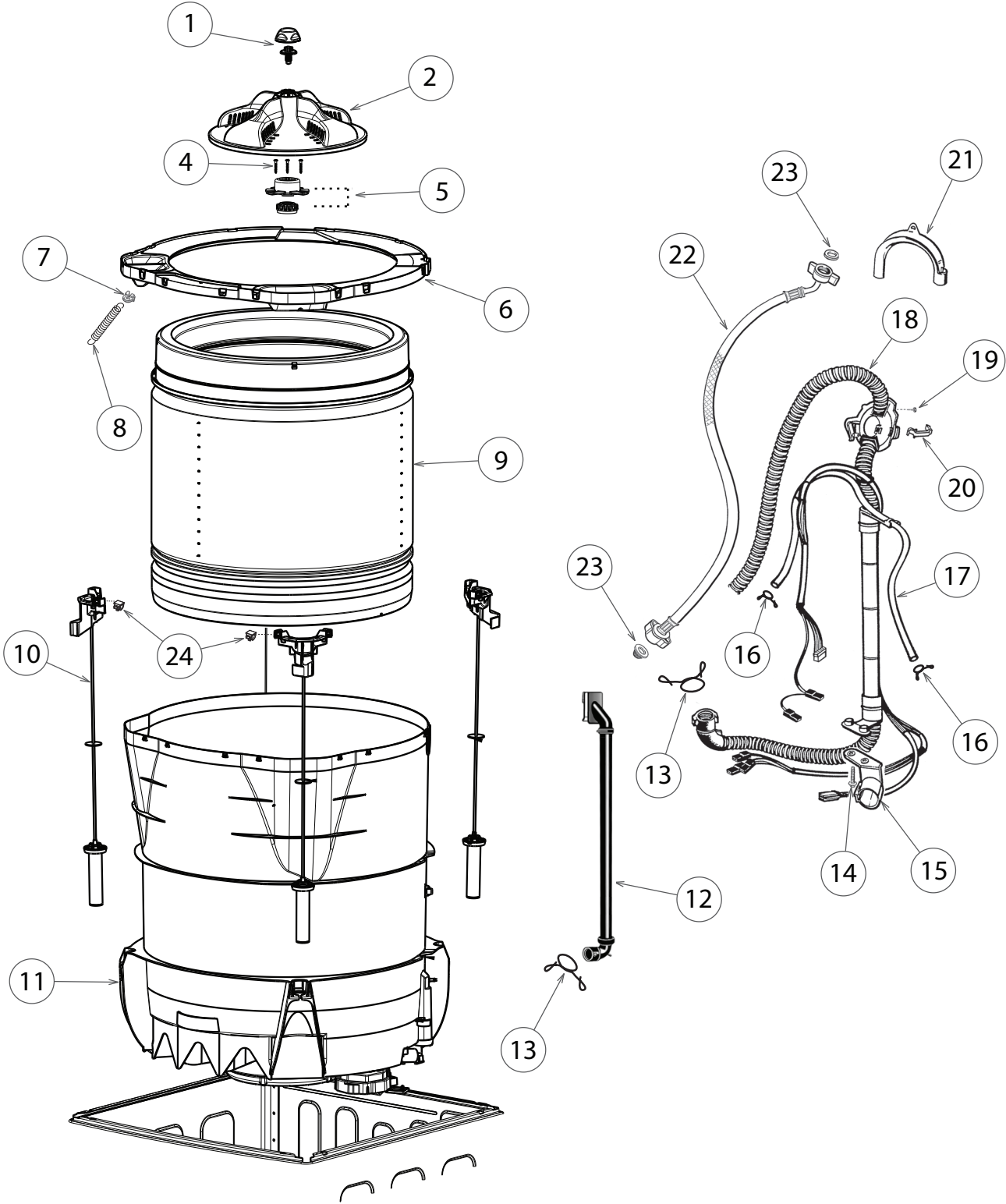
DWG004266

DWG 004266

# WRAPPER

REFERENCE	PART NUMBER	PART DESCRIPTION
1	421692	PACKER BOWL 68
2	426058	COVER EARTH CLIP
3	424057P	WRAPPER & BASE ASSY 68 PKD
	Includes	WRAPPER
	Includes 421642	BASE 68
	Includes 424393	FOOT LEVELLING NON ROTATE
	Includes 424142	PAD SOUND DEADENING
	Includes 611814P	SCREW SD 10X16 WAF PH ZNPL (PKT 10)
4	421642	BASE 68
5	611814P	SCREW SD 10X16 WAF PH ZNPL (PKT 10)
6	479183P	INSERT FOOT X4 PKD
7	421767	PACKER BASE CARTON 68
8	424393	FOOT LEVELLING NON ROTATE
9	421752	BOOK USE & CARE AQS 68
10	820303	CARD REGISTRATION FP AA
11	424448	INDICATOR LEVEL SQUARE

# INNER & OUTER BOWL

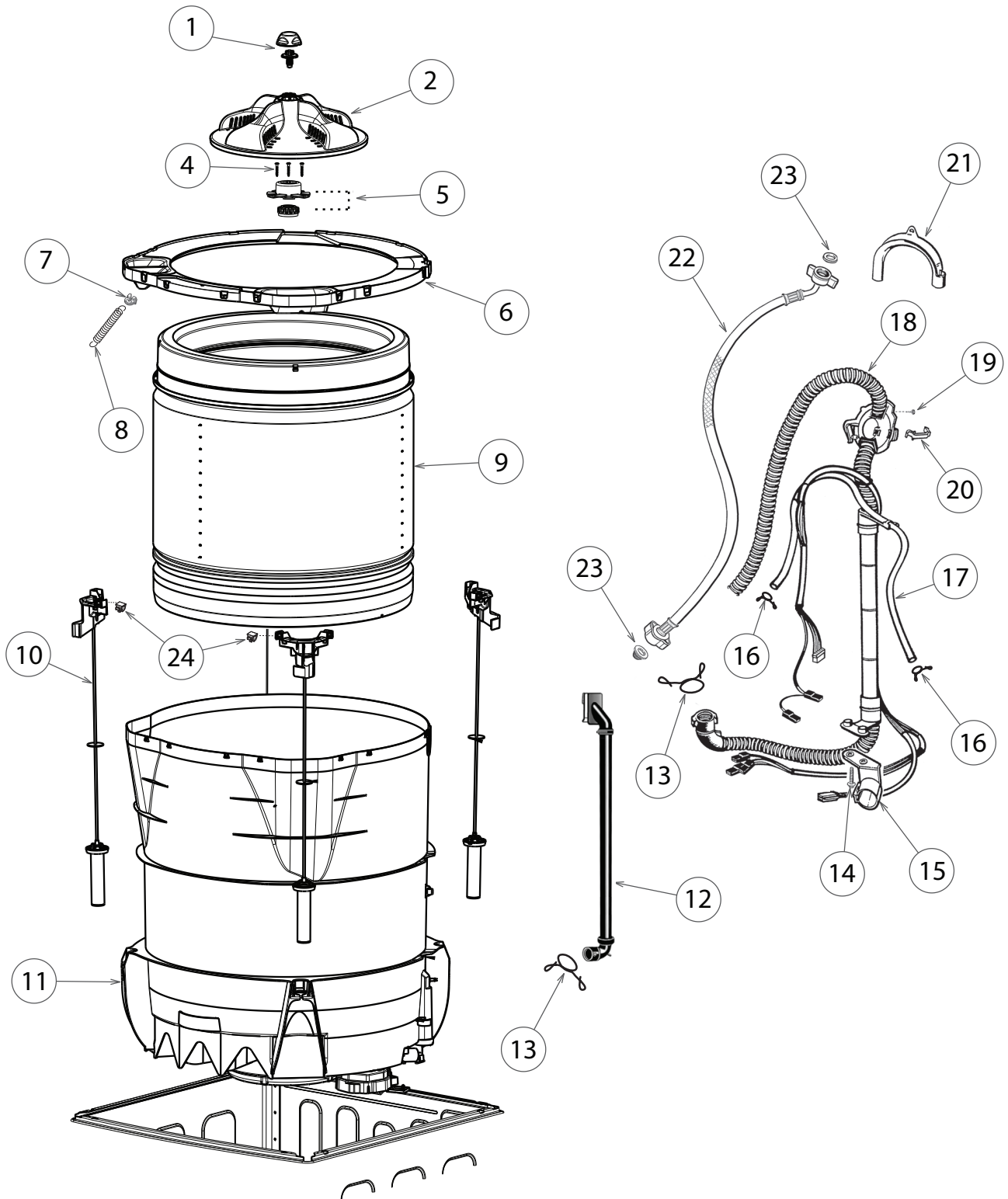


DWG002821

## INNER & OUTER BOWL

REFERENCE	PART NUMBER	PART DESCRIPTION
<b>1</b>	<b>421040P</b>	<b>CAP &amp; BOLT KIT WHITE</b>
	Includes	CAP AGITATOR LP
	Includes	BOLT AGITATOR LP
<b>2</b>	<b>421270</b>	<b>WASHPLATE PUMPING</b>
<b>4</b>	<b>425131P</b>	<b>SCREW CLUTCH</b>
<b>5</b>	<b>479318P</b>	<b>KIT SPLINE DRIVE PKD</b>
	Includes 425080	SPLINE DRIVEN
	Includes 425596	SPLINE DRIVE
<b>6</b>	<b>424210</b>	<b>NECKRING ASSEMBLY 68</b>
	Includes 420197P	CLIP BIAS SPRING SD11
	Includes	NECKRING 68
	Includes	PAD NECKRING 68
	Includes 424346	SPRING BIAS 68
<b>7</b>	<b>420197P</b>	<b>CLIP BIAS SPRING SD11 PKD</b>
<b>8</b>	<b>424346</b>	<b>SPRING BIAS</b>
<b>9</b>	<b>421664P</b>	<b>BOWL INNER ASSY 68</b>
	Includes 425080	SPINE DRIVEN
	Includes 425131P	SCREW CLUTCH (3)
	includes 425596	SPLINE DRIVE ASSY
<b>10</b>	<b>424569P</b>	<b>SUSPENSION KIT 685 PKT4-BLK</b>
<b>11</b>	<b>421836P</b>	<b>BOWL OUTER ASSY S/PUMP 68</b>
	Includes	BOWL OUTER ASSY
	Includes 472867P	CLIP WIRING OUTER BOWL (3)
	Includes 613709P	CLIP PIPE UNITED CARR FR19280-ZNPL
	Includes 425763	PLUG ASSEMBLY PRESSURE CHAMBER
	Includes 613710P	CLIP EDGE (2)
	Includes 425006P	BEARING 6005 2RSH/C3 (2)
	Includes 425007	SPACER BEARING
<b>12</b>	<b>424128</b>	<b>HOSE RECIRC ASSY S/PUMP 68</b>
<b>13</b>	<b>420677</b>	<b>CLAMP HOSE DIA33 SAFE</b>
<b>14</b>	<b>425150P</b>	<b>SCREW ST 1/4 X 1" PLASTITE 60</b>
<b>15</b>	<b>425503</b>	<b>BRACKET DRAIN HOSE</b>
<b>16</b>	<b>425611</b>	<b>CLAMP HOSE 08.5 TALL GRIP</b>
<b>17</b>	<b>424227</b>	<b>TUBE PRESSURE SWITCH</b>

# INNER & OUTER BOWL



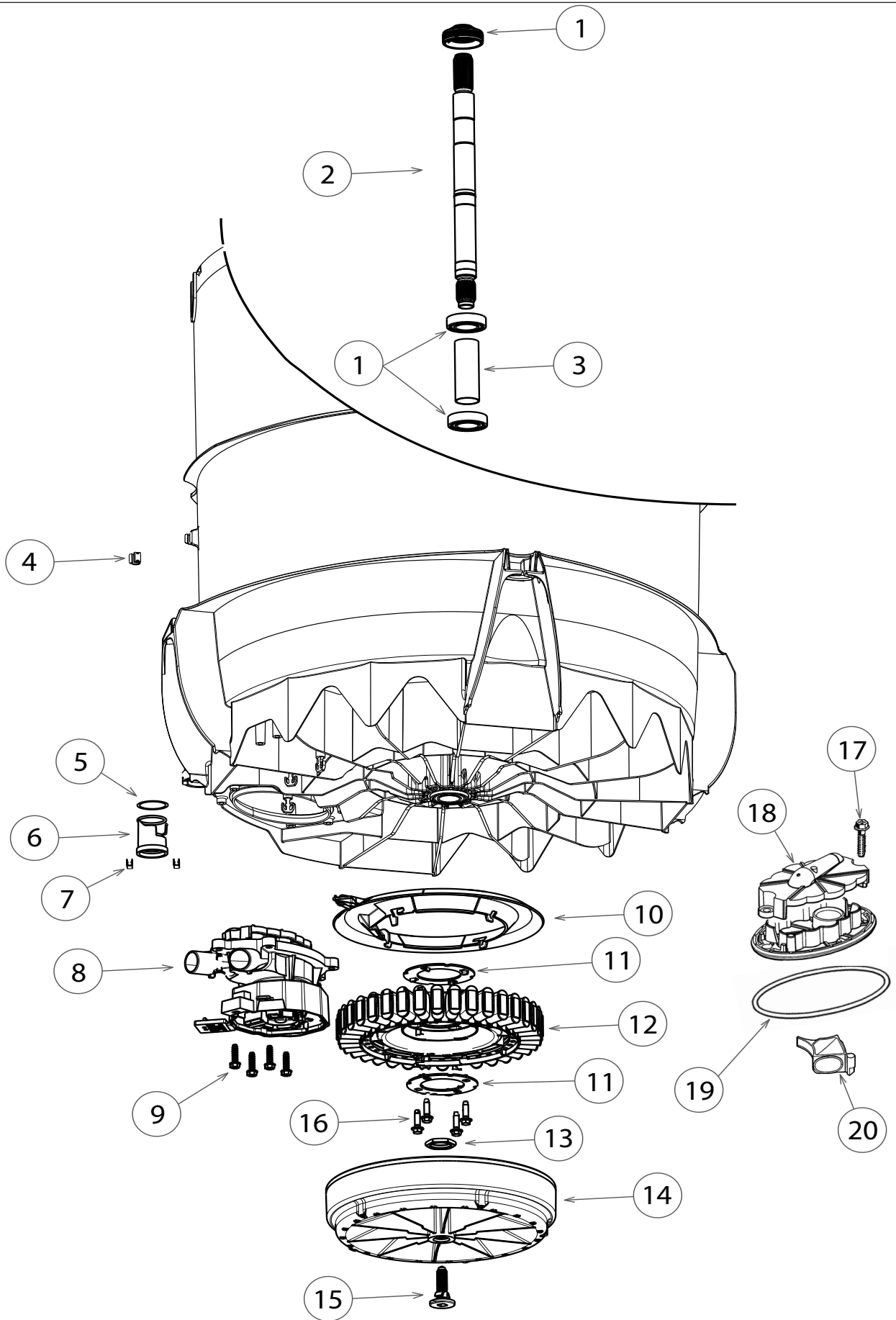
DWG002821

DWG 002821

## INNER & OUTER BOWL

REFERENCE	PART NUMBER	PART DESCRIPTION
<b>18</b>	<b>429504</b>	<b>HOSE &amp; HARNESS ASSY 68</b>
<b>19</b>	<b>611933P</b>	<b>SCREW ST 8X5/8 TA MTS PH H5 ZN</b>
<b>20</b>	<b>425487</b>	<b>CLIP FIXTURE DRAIN HOSE</b>
<b>21</b>	<b>420667P</b>	<b>GUIDE DRAIN HOSE</b>
<b>22</b>	<b>420375P</b>	<b>HOSE INLET ASSY MIFLEX II(PKD)</b>
	Includes	FILTER INLET PLASTIC
	Includes	CONNECTOR SEAL (2)
	<b>422680P</b>	<b>HOSE INLET LONG (2M) PKD</b>
	Includes	FILTER INLET MIFLEX
	Includes	CONNECTOR SEAL MIFLEX (2)
<b>23</b>	<b>420016P</b>	<b>KIT FILTER/CONNECTOR (2EA)</b>
	Includes 420016	FILTER INLET MIFLEX
	Includes 420017	CONNECTOR SEAL MIFLEX (2)
<b>24</b>	<b>424390</b>	<b>PAD WEAR BRACKET SUSP</b>

# MOTOR, PUMP & DRIVE



DWG004267

DWG 004267

## MOTOR, PUMP & DRIVE

REFERENCE	PART NUMBER	PART DESCRIPTION
<b>1</b>	<b>429565P</b>	<b>KIT BEARING LIPSEAL</b>
<b>2</b>	<b>420794P</b>	<b>SHAFT DRIVE INT THREAD</b>
	Includes	SHAFT DRIVE INT
	Includes 420664P	BOLT ROTOR
	Includes 420665	BOLT AGITATOR (NOT REQUIRED OR USED FOR THIS MODEL)
<b>3</b>	<b>425007</b>	<b>SPACER BEARING</b>
<b>4</b>	<b>613709P</b>	<b>CLIP PIPE UNITED CARR FT19280 ZNPL (PKT 10)</b>
<b>5</b>	<b>425149</b>	<b>SEAL O RING PRESSURE CHAMBER</b>
<b>6</b>	<b>425763</b>	<b>PLUG ASSY PRESSURE CHAMBER</b>
	Includes 425097	PLUG PRESSURE CHAMBER
	Includes 425149	SEAL O RING PRESSURE CHAMBER
<b>7</b>	<b>613710P</b>	<b>CLIP EDGE (PKT 2)</b>
<b>8</b>	<b>479627</b>	<b>SMARTPUMP 4 SCREW ASSY KIT</b>
<b>9</b>	<b>425150P</b>	<b>SCREW 1/4 X 1 PLASTITE 60 (PKT 10)</b>
<b>10</b>	<b>424296P</b>	<b>SHIELD MOTOR UL PKD</b>
<b>11</b>	<b>426174P</b>	<b>CLAMP PLATE STATOR LANCED</b>
<b>12</b>	<b>429563P</b>	<b>KIT STATOR MA35M ASSEMBLY</b>
	Includes	STATOR ASSY 0.6 AL
<b>13</b>	<b>425171</b>	<b>NUT BEARING</b>
<b>14</b>	<b>438503P</b>	<b>ROTOR ASSY SPARES</b>
	Includes 420664	BOLT ROTOR
<b>15</b>	<b>420664P</b>	<b>BOLT ROTOR</b>
<b>16</b>	<b>426835P</b>	<b>SCREW STATOR (PKT 10)</b>
<b>17</b>	<b>425162P</b>	<b>SCREW COVER (PKT 10)</b>
<b>18</b>	<b>479418</b>	<b>HOOD &amp; CAP (SMART PUMP) KIT</b>
<b>19</b>	<b>479420</b>	<b>SEAL (SMART PUMP) HOUSING PKD</b>
	Includes 421124P	SEAL PUMP D PROFILE
<b>20</b>	<b>420403P</b>	<b>VALVE FLAPPER (SMART PUMP)</b>

[www.fisherpaykel.com](http://www.fisherpaykel.com)

Copyright © Fisher & Paykel Appliances Ltd 2017. All rights reserved.  
The product specifications in this manual apply to the specific model described at the date of issue. Under our policy of continuous product improvement, these specifications may change at any time. Only use this manual if the product code on the front matches the product code on the serial label of the product.

**AU NZ**

**PRODUCT CODE: 93240-A 02.17**