

**FISHER & PAYKEL**

**QUICKSMART™ WASHER**



**MW60 FP WH AA**

**PRODUCT CODE: 93259-A**

**PARTS MANUAL**

**NZ AU**

# INTRODUCTION

---

BRAND	VOLTAGE	MODEL	PRODUCT CODE
Fisher & Paykel	220-240 VAC 50Hz	MW60 FP WH AA	93259-A

---

## MODELS

- The models covered by this manual are listed on the front cover.
- The information detailed in this manual is subject to change without notice. The latest version is indicated by the reprint date and replaces any earlier editions.

## KIT PARTS

Where a part number is shown against the descriptions for kit components, they are also available as separate items. In addition, some parts may be supplied with these kits that are not available as separate items, and are therefore either not listed, or a part number is not shown against the part description in this manual.

## PARTS LIST KEY

<b>NI</b>	As a part reference, indicates the part is not illustrated on the diagram.
<b>NOT USED</b>	As a part number, indicates the diagram part reference is not used in this manual.
<b>NS</b>	As a part number, indicates the part is not servicable.

---

## NZ

Fisher & Paykel Appliances Ltd  
78 Springs Road, East Tamaki  
Manukau 2013  
PO Box 58-546 Botany  
Manukau 2163  
New Zealand

tel: 09 273 0600  
fax: 09 273 0656  
e-mail: nz.customercare@fisherpaykel.com

## AU

Fisher & Paykel Customer Services Pty Ltd  
PO Box 798, Cleveland, QLD 4163  
A.C.N. 003 3335 171  
19 Enterprise Street  
Cleveland, QLD 4163  
Australia

tel: 07 3826 9100  
fax: 07 3826 9164  
e-mail: aus.customercare@fisherpaykel.com

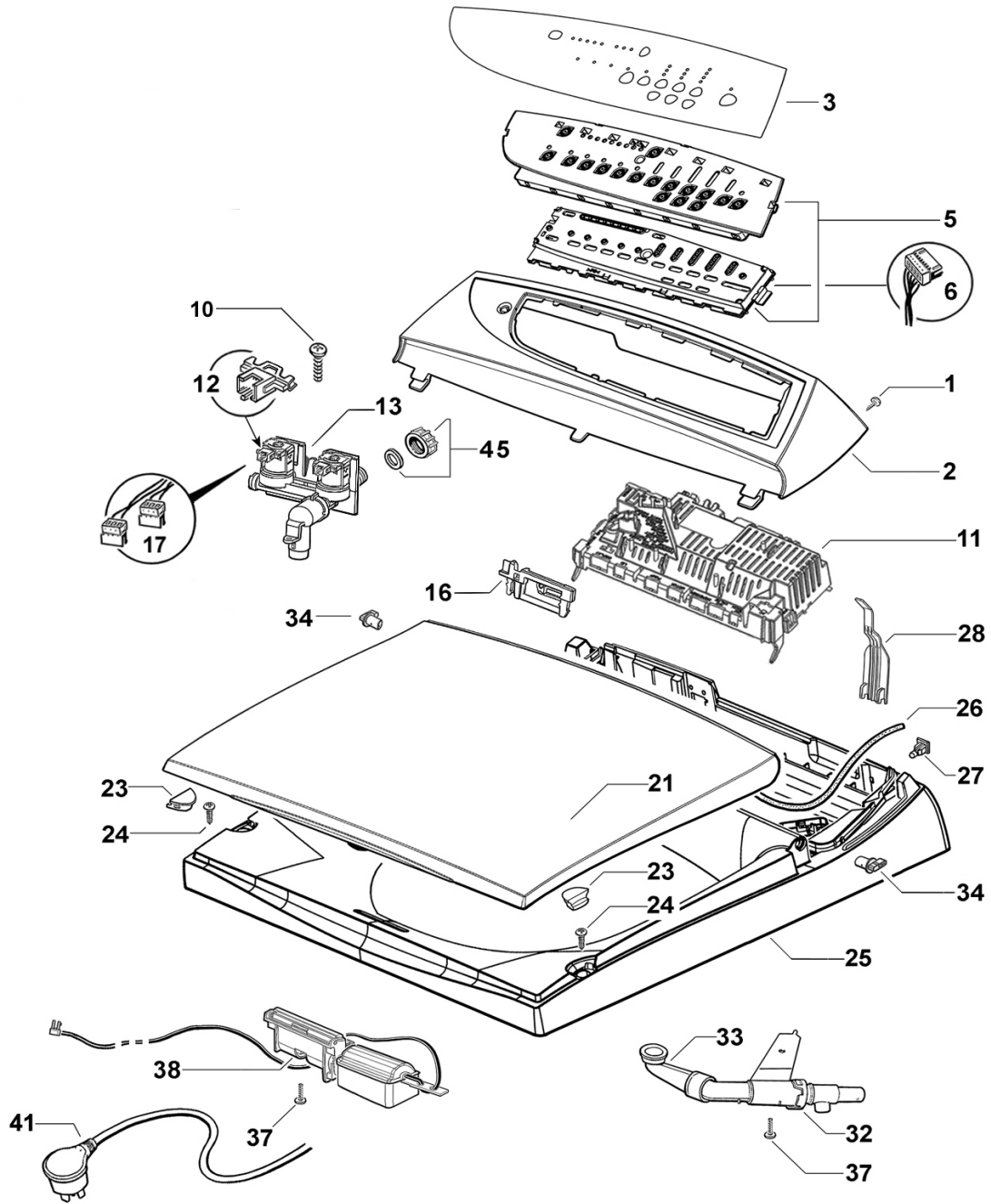
# CONTENTS

---

INTRODUCTION	1
TOP DECK & ELECTRONICS	3
CABINET COMPONENTS	5
AGITATOR & HOSES	7
INNER & OUTER BOWLS & PUMP	9
MOTOR	13

# TOP DECK & ELECTRONICS

Fisher's Paykel  
customerCARE



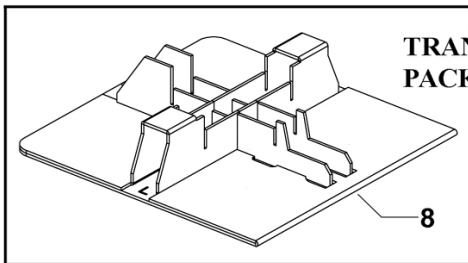
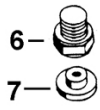
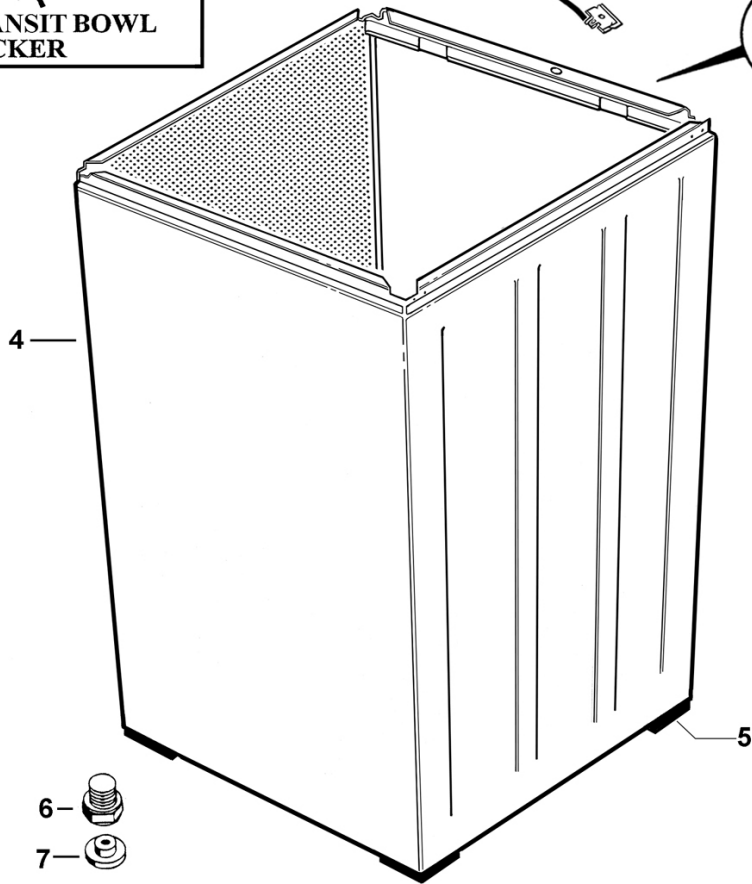
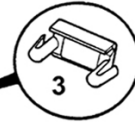
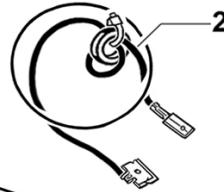
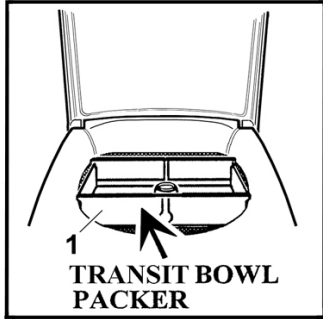
DWG002625

DWG 002625

## TOP DECK & ELECTRONICS

REFERENCE	PART NUMBER	PART DESCRIPTION
1	611933P	SCREW ST 8X5/8 TA MTS PH ZNPL (PKT 10)
2	426813P	CONSOLE C11 WHITE PKD
3	429767	PANEL TOUCH MW 6 LGO
5	421097P	KIT DISPLAY MW
	Includes	DISPLAY ASSY MW
	Includes	INSERT CONSOLE
	Includes	INSTRUCTION SHEET
6	420176	HARNESS DISPLAY GW11
10	611986P	SCREW ST 8X20MM HILO (PKT 10)
11	421297NAP	MOD MC SD PH9 230V N ECO NZ/AU
12	420897P	CLIP RETAINING RAST DUAL VALVE (PKT 2)
13	424320P	VALVE INLET DUAL MW
16	420738P	CLAMP HARNESS TOP DECK
17	420593	HARNESS WATER VALVES SD14
21	426794P	LID C11 WHITE PKD
23	426793P	BUFFER LID SD11 (PKT 2)
24	611812P	SCREW ST 10X5/8 MSH PAN PH SS430 (PKT 10)
25	420761P	TOP DECK ASSY MW/GW/WC WH
26	426273P	GASKET CONSOLE FOAM CUT
27	422402	NUT SNAP/SPIRE P0071/05/01/00
28	420133P	COVER WIRING TOPDECK SD11
32	420143P	NOZZLE ASSY SD11 PKD
	Includes	BODY NOZZLE SD11
	Includes	CAP NOZZLE SD3
33	425974P	ELBOW NOZZLE SD3
34	426825P	HINGE LID SD11 (PKT 2)
37	611808P	SCREW ST 8X1/2 PAN PH SS 430S (PKT 10)
38	424314P	LIDLOCK & HARN ASSY SPARES
41	429442P	CORD SET AA 56/60 PKD
45	388491P	CAP VALVE BLANKING
	Includes 420017	CONNECTOR SEAL VALVE CAP

# CABINET COMPONENTS



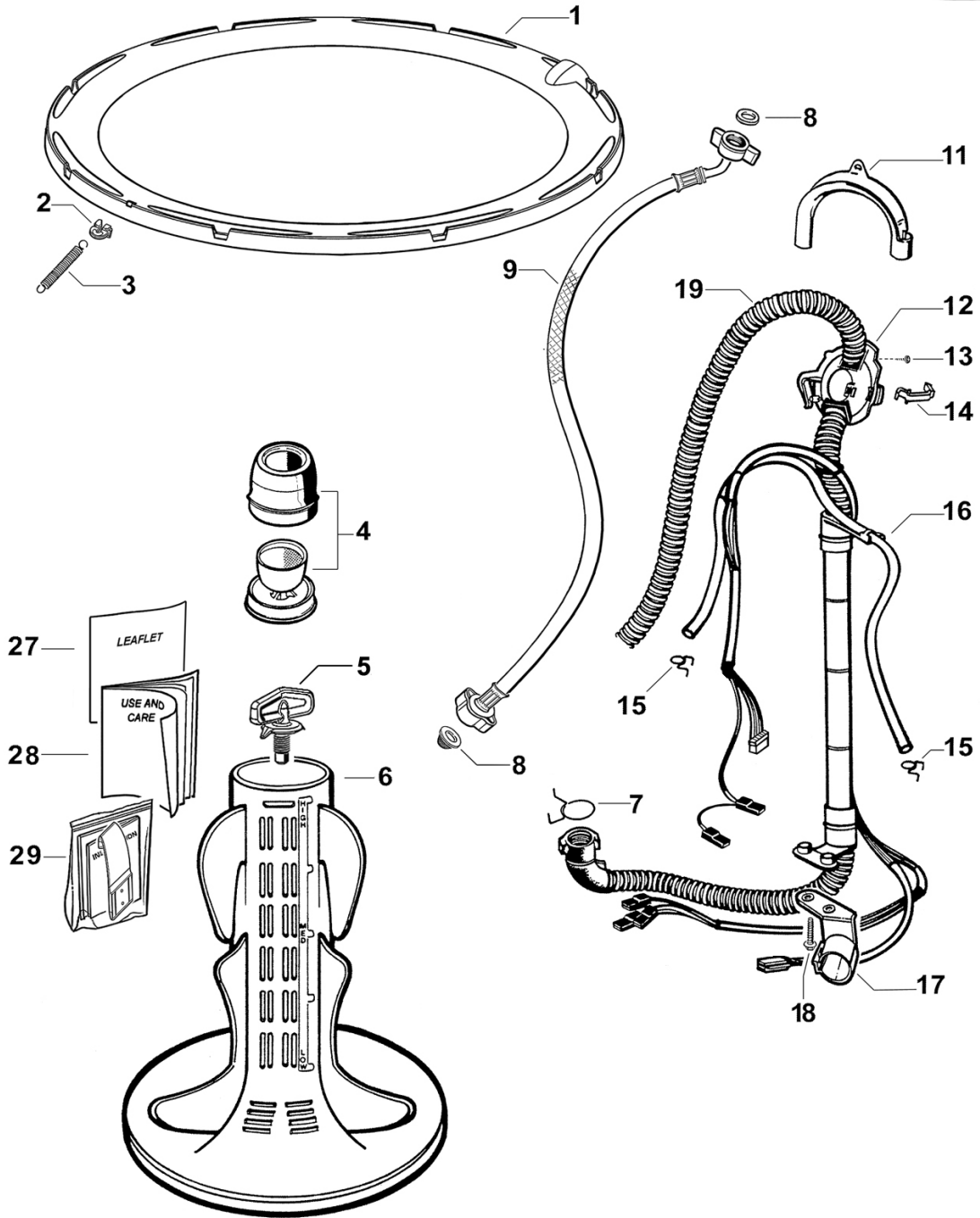
DWG002592

## CABINET COMPONENTS

REFERENCE	PART NUMBER	PART DESCRIPTION
<b>1</b>	<b>420069</b>	PACKER BOWL C11
<b>2</b>	<b>420877</b>	WIRE CABINET EARTH RFI CHOKE
<b>3</b>	<b>426058</b>	COVER EARTH CLIP
<b>4</b>	<b>426661P</b>	WRAPPER ASSY 5 PKD
	Includes	WRAPPER CABINET 500 WHITE
	Includes 420877	WIRE CABINET EARTH RFI CHOKE
	Includes 426058	COVER EARTH CLIP
	Includes	CORNER CABINET / FOOT ASSY (4)
	Includes	FOOT LEVELLING (4)
	Includes 479183	INSERT FOOT
<b>5</b>	<b>426657</b>	CORNER CABINET BOTTOM
<b>6</b>	<b>472969P</b>	KIT FOOT & INSERT
	<b>Includes</b>	FOOT LEVELLING
	Includes 479183	INSERT FOOT
<b>7</b>	<b>479183P</b>	INSERT FOOT (PKT 4)
<b>8</b>	<b>421935</b>	PACKER BASE 65

# AGITATOR & HOSES

Fisher's Paykel  
customer CARE



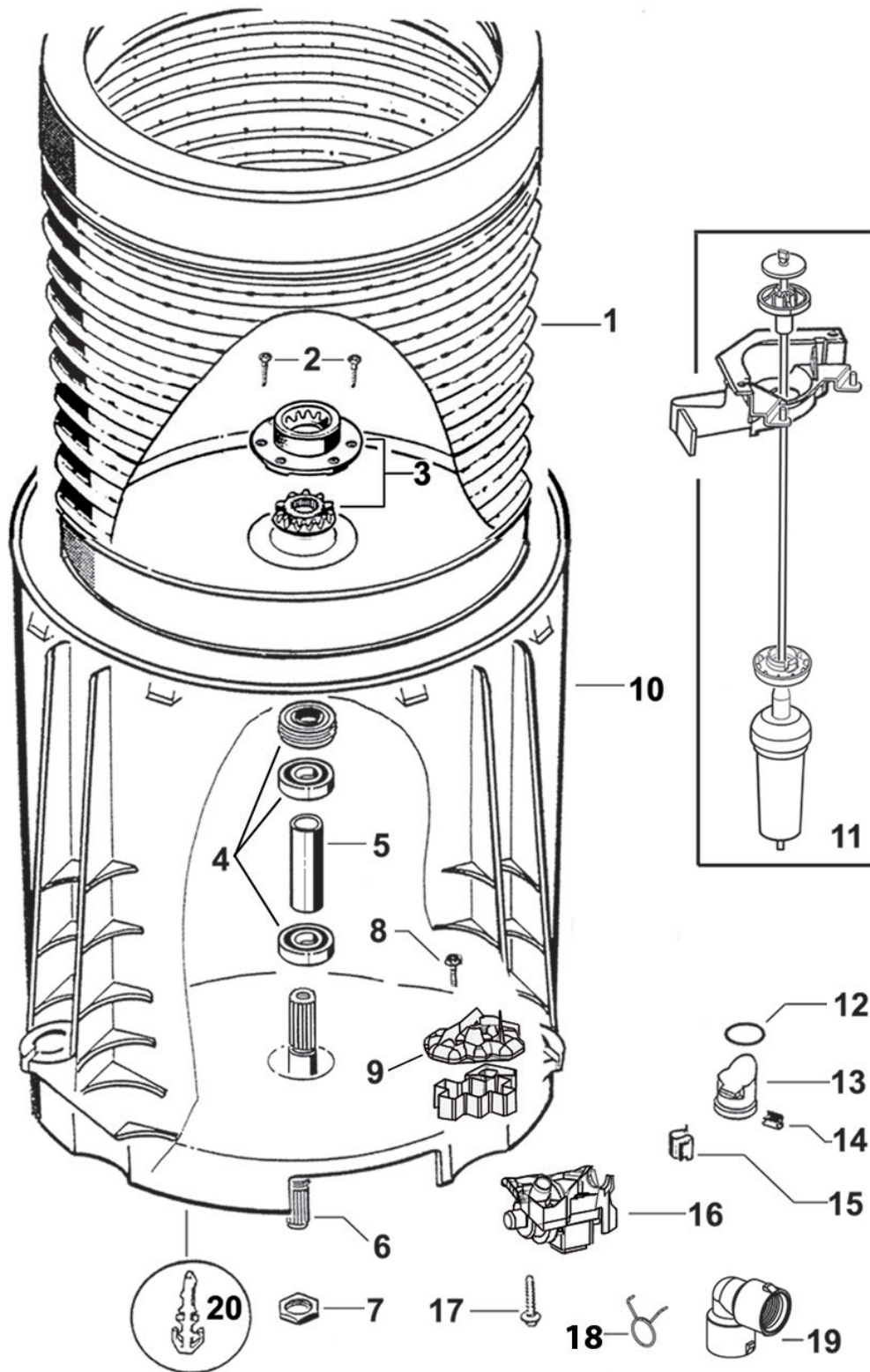
DWG002597

DWG 002597

## AGITATOR & HOSES

REFERENCE	PART NUMBER	PART DESCRIPTION
<b>1</b>	<b>426807P</b>	<b>NECK RING ASSY C11</b>
	Includes 426810	NECK RING C11
	Includes 420197	CLIP BIAS SPRING
	Includes 420122	SPRING BIAS
<b>2</b>	<b>420197P</b>	<b>CLIP BIAS SPRING SD11</b>
<b>3</b>	<b>420122P</b>	<b>SPRING BIAS SD11</b>
<b>4</b>	<b>426993P</b>	<b>DISPENSER ASSY WHITE</b>
<b>5</b>	<b>420665</b>	<b>BOLT AGITATOR</b>
<b>6</b>	<b>425025P</b>	<b>AGITATOR PKD</b>
<b>7</b>	<b>424205</b>	<b>CLAMP HOSE FLAT BDN 32/12</b>
<b>8</b>	<b>420016P</b>	<b>KIT FILTER / CONNECTOR SEAL (2 EACH)</b>
	Includes 420016	FILTER INLET MIFLEX (2)
	Includes 420017	CONNECTOR SEAL MIFLEX (2)
<b>9</b>	<b>420375P</b>	<b>HOSE INLET ASSY MIFLEX II (10MM ID)</b>
	Includes	FILTER INLET PLASTIC
	Includes	CONNECTOR SEAL (2)
	<b>422680P</b>	<b>HOSE INLET LONG (2MX10MM ID) PKD</b>
	Includes 420016	FILTER INLET MIFLEX
	Includes 420017	CONNECTOR SEAL MIFLEX (2)
<b>11</b>	<b>420667P</b>	<b>GUIDE OUTLET HOSE PKD</b>
<b>12</b>	<b>426455</b>	<b>FIXTURE DRAIN HOSE</b>
<b>13</b>	<b>611933P</b>	<b>SCREW ST 8X5/8 TA MTS PH H5 (PKT 10)</b>
<b>14</b>	<b>425487</b>	<b>CLIP FIXTURE DRAIN HOSE</b>
<b>15</b>	<b>425611</b>	<b>CLAMP HOSE 08.5 TALL GRIP</b>
<b>16</b>	<b>425299</b>	<b>TUBE PRESSURE SENSOR SD2</b>
<b>17</b>	<b>425503</b>	<b>BRACKET DRAIN HOSE</b>
<b>18</b>	<b>425150P</b>	<b>SCREW ST 1/4X1" PLASTITE (PKT 10)</b>
<b>19</b>	<b>429503P</b>	<b>HOSE HARNESS ASSY 56</b>
<b>27</b>	<b>820303</b>	<b>CARD REGISTRATION FP AA</b>
<b>28</b>	<b>424675</b>	<b>BOOK USE &amp; CARE WS/QS NZ/AU/SG</b>
<b>29</b>	<b>479273</b>	<b>KIT CATCH LID</b>
	Includes 479263	CATCH LID PARTIAL OPENING
	Includes 479278	TAPE FOAM DIE CUT 46X40X1
	Includes 479272	LEAFLET INSTALLATION CATCH LID

# INNER & OUTER BOWLS & PUMP



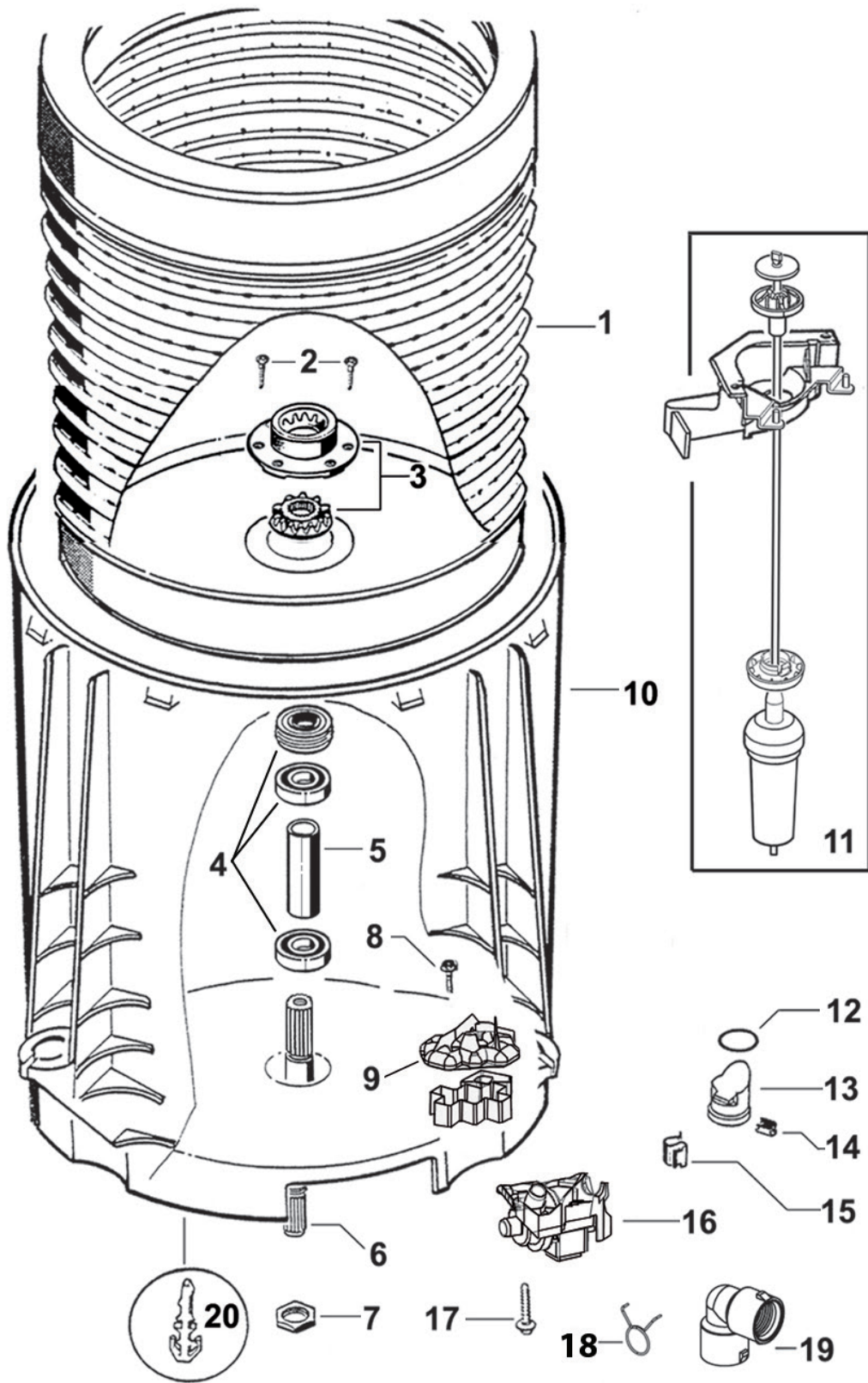
DWG004243

DWG 004243

## INNER & OUTER BOWLS & PUMP

REFERENCE	PART NUMBER	PART DESCRIPTION
<b>1</b>	<b>426097P</b>	<b>BOWL INNER 500 ASSY PKD</b>
	Includes 425080	SPLINE DRIVEN
	Includes 425131	SCREW CLUTCH (3)
	Includes 425596	SPLINE DRIVE ASSY
<b>2</b>	<b>425131P</b>	<b>SCREW CLUTCH (PKT 10)</b>
<b>3</b>	<b>479318P</b>	<b>KIT SPLINE DRIVE</b>
	Includes 425080	SPLINE DRIVEN
	Includes 425596	SPLINE DRIVE ASSY
<b>4</b>	<b>429565P</b>	<b>KIT BEARING LIPSEAL</b>
<b>5</b>	<b>425007</b>	<b>SPACER BEARING</b>
<b>6</b>	<b>420794P</b>	<b>KIT SHAFT SHORTENED</b>
	Includes 420664	BOLT ROTOR
	Includes 420665	BOLT AGITATOR
	Includes 479359	INSTRUCTION SHEET
<b>7</b>	<b>425171</b>	<b>NUT BEARING</b>
<b>8</b>	<b>425162P</b>	<b>SCREW COVER (PKT 10)</b>
<b>9</b>	<b>421977P</b>	<b>KIT DRAIN LABYRINTH CAP/HOOD/IMPELLOR</b>
	Includes 425115	SEAL PUMP CAP
	Includes 421976	CAP & HOOD PUMP ASSY LABYRINTH
<b>10</b>	<b>429649P</b>	<b>KIT BOWL OUTER COMPACT</b>
	Includes	BEARING 6005LLU
	Includes 425007	SPACER BEARING
	Includes	LIP SEAL
	Includes 425162	SCREW COVER
	Includes 421976	CAP & HOOD PUMP ASSY LABYRINTH
	Includes 421094	SHIELD MOTOR UL (BLACK)
	Includes 425961	SHIELD MOTOR SD UL (BROWN)
	Includes 426145	TUBE BUFFER SHIELD MOTOR UL (4)
	Includes	SHEET INSTALLATION INSTRUCTION
	Includes	KIT ROTOR SERVICE
<b>11</b>	<b>420952P</b>	<b>SUSPENSION ASSY DBLE SQUASH (PKT 4)</b>
<b>12</b>	<b>425149</b>	<b>SEAL O RING PRESSURE CHAMBER</b>
<b>13</b>	<b>425097</b>	<b>PLUG PRESSURE CHAMBER</b>
<b>14</b>	<b>613710P</b>	<b>CLIP EDGE (PKT 2)</b>

# INNER & OUTER BOWLS & PUMP



DWG004243

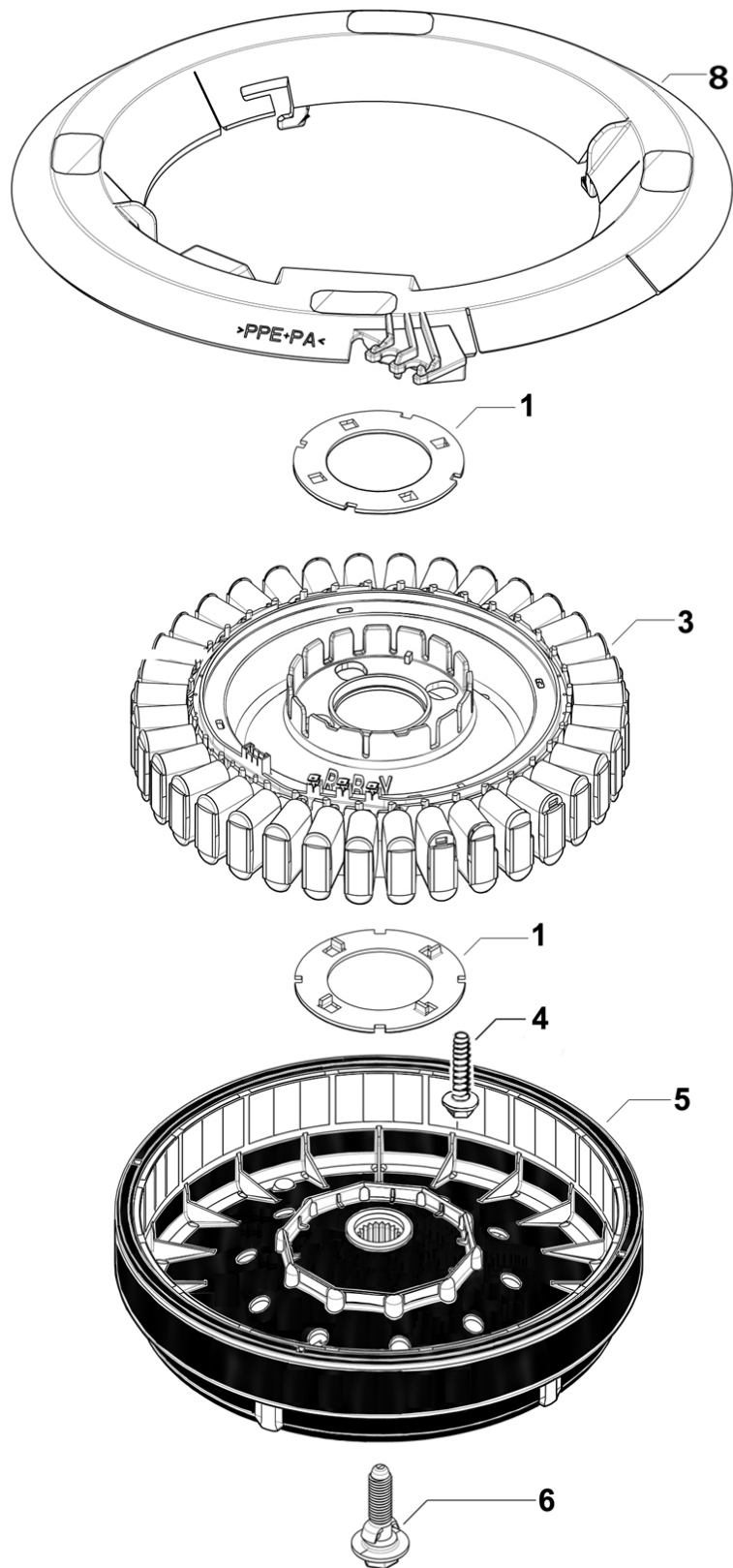
DWG 004243

## INNER & OUTER BOWLS & PUMP

---

REFERENCE	PART NUMBER	PART DESCRIPTION
15	613709P	CLIP PIPE UNITED CARR FT19280-ZNPL
16	421820P	PUMP & BRACKET ASSY 230V
17	425150P	SCREW ST 1/4X1" PLASTITE (PKT 10)
18	422500	CLAMP HOSE 031.5
19	421801	ELBOW HOSE PUMP
20	472867P	CLIP WIRING OUTER BOWL

# MOTOR



DWG002556

DWG 002556

# MOTOR

---

REFERENCE	PART NUMBER	PART DESCRIPTION
<b>1</b>	<b>426174P</b>	CLAMP PLATE STATOR LANCED (PAIR)
<b>3</b>	<b>429563P</b>	KIT STATOR MA35M ASSEMBLY
	<b>Includes</b>	STATOR ASSY 0.6 AL
<b>4</b>	<b>426835P</b>	SCREW STATOR (PKT 10)
<b>5</b>	<b>438503P</b>	ROTOR ASSY SPARES
	Includes 420664	BOLT ROTOR
<b>6</b>	<b>420664P</b>	BOLT ROTOR
<b>8</b>	<b>424296P</b>	SHIELD MOTOR UL PKD

**FISHERPAYKEL.COM**

© Fisher & Paykel Appliances Ltd 2017. All rights reserved.

The product specifications in this booklet apply to the specific products and models described at the date of issue. Under our policy of continuous product improvement, these specifications may change at any time. You should therefore check with your Dealer to ensure this booklet correctly describes the product currently available.

**NZ AU**

**PRODUCT CODE: 93259-A 06.17**