

PARTS MANUAL

WashSmart™ Washer

WA8060G1 FP SG

Product Code

94167-A

SG

Fisher & Paykel

CONTENTS

| | |
|------------------------|---|
| INTRODUCTION | 2 |
| TOP DECK & ELECTRONICS | 3 |
| WRAPPER | 5 |
| INNER & OUTER BOWL | 7 |
| MOTOR, PUMP & DRIVE | 9 |

INTRODUCTION

| BRAND | VOLTAGE | MODEL | PRODUCT CODE |
|-----------------|----------------|----------------|---------------------|
| Fisher & Paykel | 220-240V 50Hz | WA8060G1 FP SG | 94167-A |

MODELS

- The models covered by this manual are listed on the front cover.
- The information detailed in this manual is subject to change without notice. The latest version is indicated by the reprint date and replaces any earlier editions.

KIT PARTS

Kit components are shown in italics. Where a part number is shown against the descriptions for these kit components, they are also available as separate items. In addition, some parts may be supplied with these kits that are not available as separate items, and are therefore either not listed, or a part number is not shown against the part description in this manual.

PARTS LIST KEY

| | |
|-----------------|---|
| ITALICS | Kit components or parts included are shown in italics. Refer to above notes: Kit Parts. |
| NI | As a part reference, indicates the part is not illustrated on the diagram. |
| NOT USED | As a part number, indicates the diagram part reference is not used in this manual. |
| NS | As a part number, indicates the part is not servicable. |

SG

Fisher & Paykel Singapore Pte Ltd
150 Ubi Avenue 4
Sunlight Building #02-00
Singapore 408825

tel: 65 65470100
fax: 65 65470123
service tel: 65 67410777
email: customer.service@fisherpaykel.com.sg

NZ

Fisher & Paykel Appliances Ltd
78 Springs Road, East Tamaki
Manukau 2013
PO Box 58-546 Botany
Manukau 2163
New Zealand

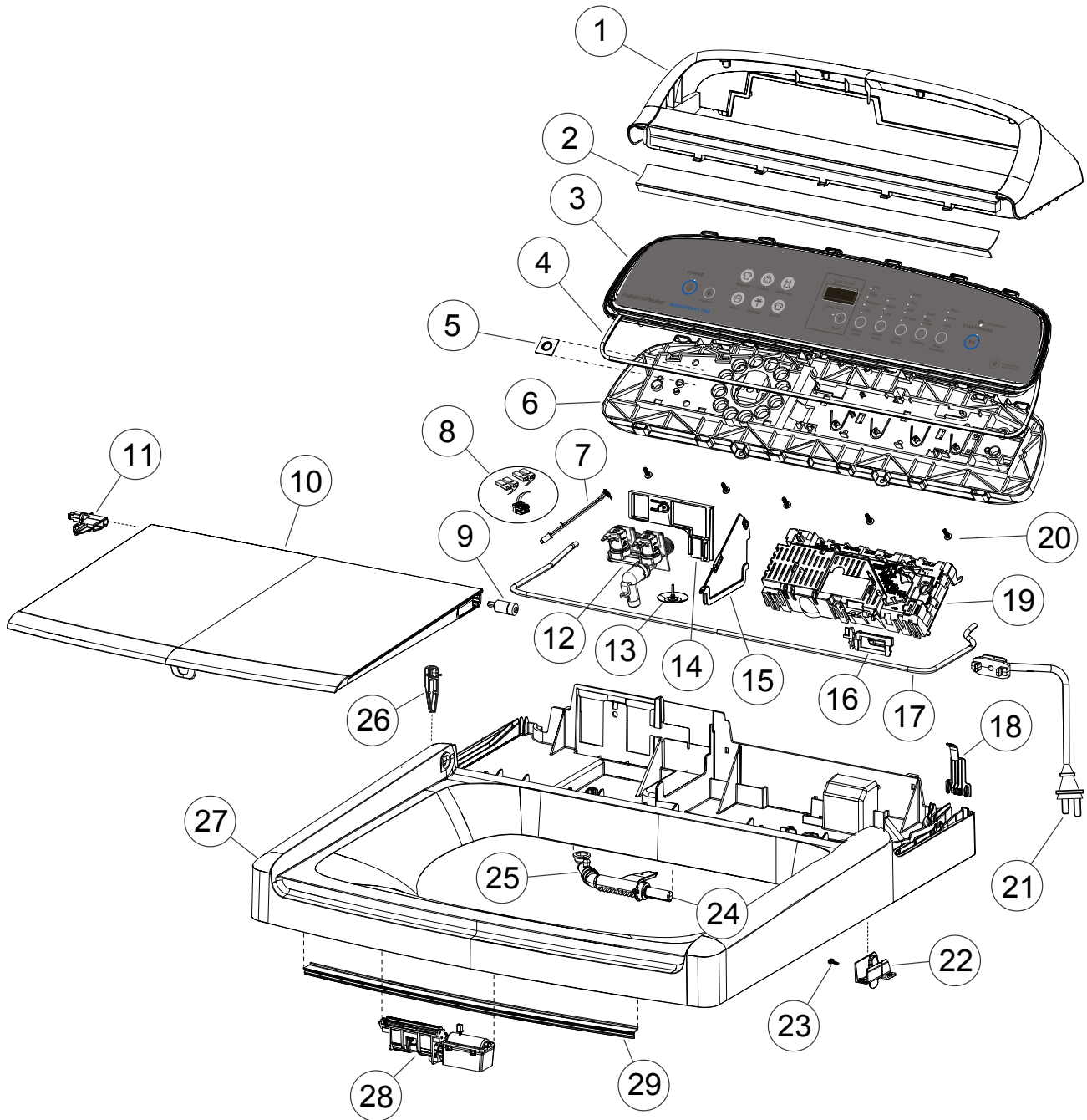
tel: 09 273 0600
fax: 09 273 0656
e-mail: nz.customercare@fisherpaykel.com

AU

Fisher & Paykel Customer Services Pty Ltd
PO Box 798, Cleveland, QLD 4163
A.C.N. 003 3335 171
19 Enterprise Street
Cleveland, QLD 4163
Australia

tel: 07 3826 9100
fax: 07 3826 9164
e-mail: aus.customercare@fisherpaykel.com

TOP DECK & ELECTRONICS



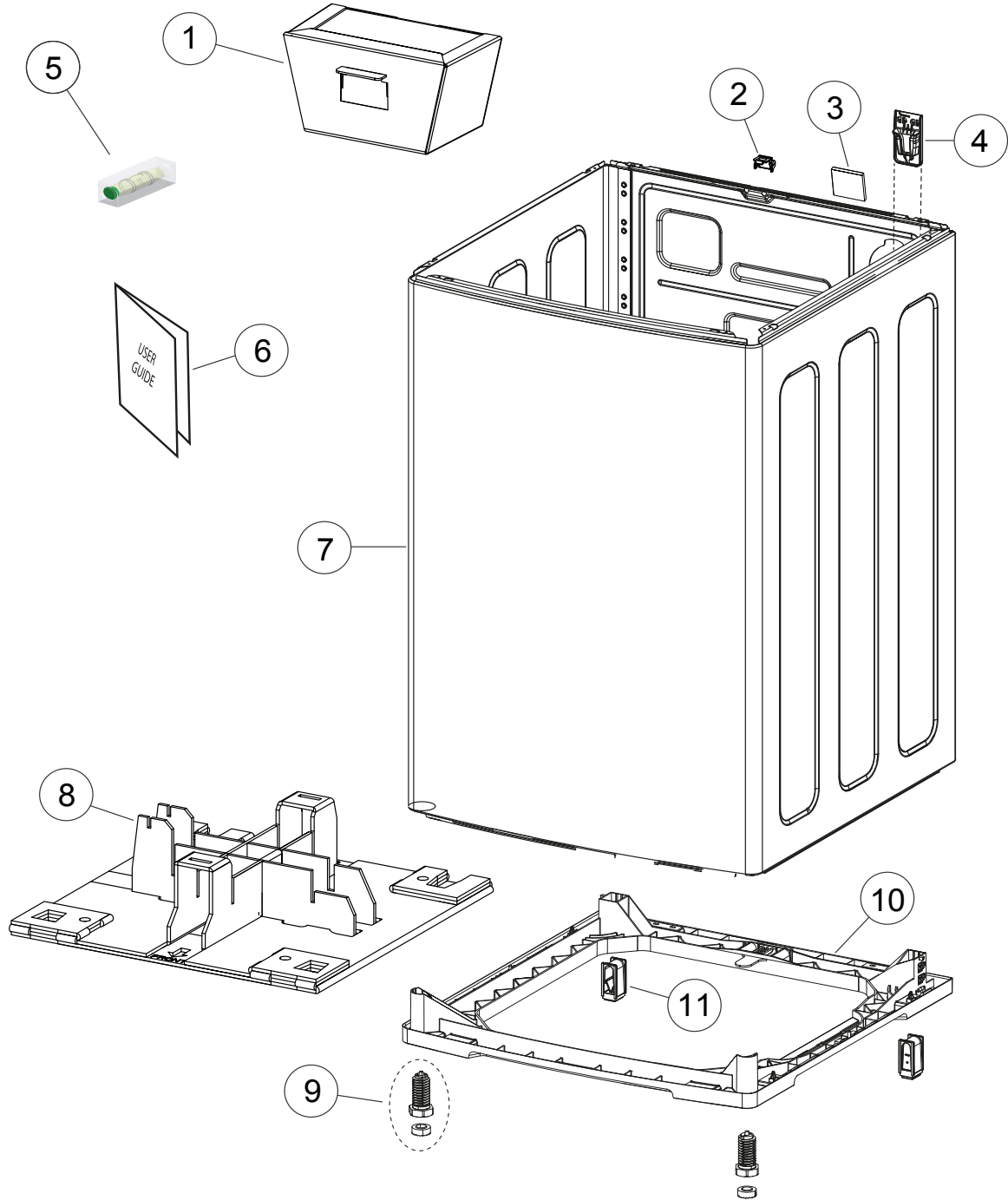
DWG003643

DWG 003643

TOP DECK & ELECTRONICS

| REFERENCE | PART NUMBER | PART DESCRIPTION |
|-----------|-----------------|-----------------------------------|
| 1 | 424658P | CONSOLE 60 |
| 2 | 424659 | BRIDGE TRIM CS 60 |
| 3 | 424892 | FASCIA IML WS 8 AA 60 |
| 4 | 424660 | FASCIA SEAL 60 |
| 5 | 424135 | SEAL BEZEL |
| 6 | 424931P | MOD DISP KNOBLESS 60 |
| 7 | 421166 | THERMISTOR ASSY EPCOS |
| 8 | 424062 | HARNESS VALVES 2 DISP 68 |
| 9 | 424955 | DAMPER UDH16N PLASTIC LID |
| 10 | 424696P | LID ASSY PLASTIC 60 |
| 11 | 424704 | INSERT LID PLASTIC 60 |
| 12 | 424320 | VALVE INLET NON DISP BSP 68 |
| NI | 388491 | CAP VALVE |
| 13 | 424373 | VALVE TOPDECK DRAIN |
| 14 | 424498 | COVER BITRON VALVES 60 |
| 15 | 424237 | WALL PARTITION TOPDECK |
| 16 | 420738 | CLAMP HARNESS TOPECK |
| 17 | 424369 | GASKET CONSOLE FOAM 5MM |
| 18 | 424155 | COVER TOPDECK WIRING 68 |
| 19 | 424940SGP | MOD MC SD9 C5D 230V NAP |
| 20 | 611805P | SCREW ST 8X16 PLASTITE (PKT 10) |
| 21 | ***** | CORDSET HK/SG |
| 22 | 424706 | HOLDER DAMPER LID PLASTIC 60 |
| 23 | 611811P | SCREW ST 8X1/2 PAN SS (PKT10) |
| 24 | 420833P | NOZZLE SPRAY FILL ASSY |
| 25 | 424056 | ELBOW INLET 68 |
| 26 | 424705 | STOP LID PLASTIC 60 |
| 27 | 424301P | TOPDECK SUB ASSY NONDISP 60 (PKD) |
| | Includes 424373 | VALVE TOPDECK DRAIN |
| | Includes 420738 | CLAMP HARNESS TOPDECK |
| 28 | 424314P | LIDLOCK & HARN ASSY SPARES |
| 29 | 424683 | STRIP WEAR TOPDECK |

WRAPPER



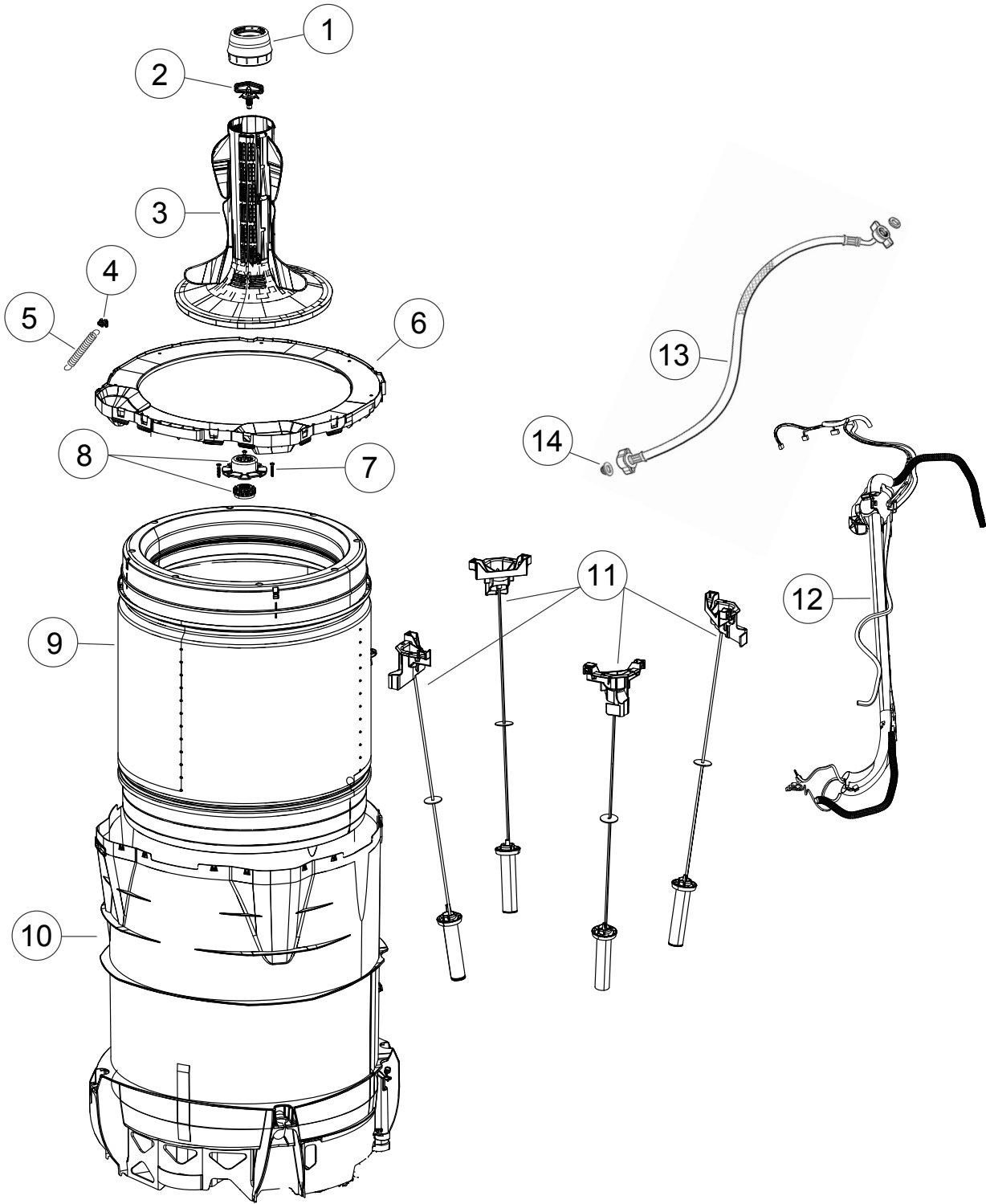
DWG003642

DWG 003642

WRAPPER

| REFERENCE | PART NUMBER | PART DESCRIPTION |
|-----------|-------------|--------------------------|
| 1 | 424593 | PACKER BOWL 60 |
| 2 | 424753 | COVER EARTH CABINET |
| 3 | 429150 | FELT PAD |
| 4 | 424929 | FIXTURE DRAIN HOSE LOWER |
| 5 | 424448 | INDICATOR LEVEL SQUARE |
| 6 | 424920 | BOOK USE & CARE WS 60 |
| 7 | 424245P | WRAPPER & BASE ASSY |
| 8 | 424588 | PACKER BASE CARTON 60 |
| 9 | 424527 | FOOT LEVELLING OVERMOULD |
| 10 | 424910 | BASE ASSEMBLY AS 60 |
| | Includes | FOOT OVERMOULD SA |
| | Includes | STRAP |
| 11 | NS | FOOT OVERMOLD AS |

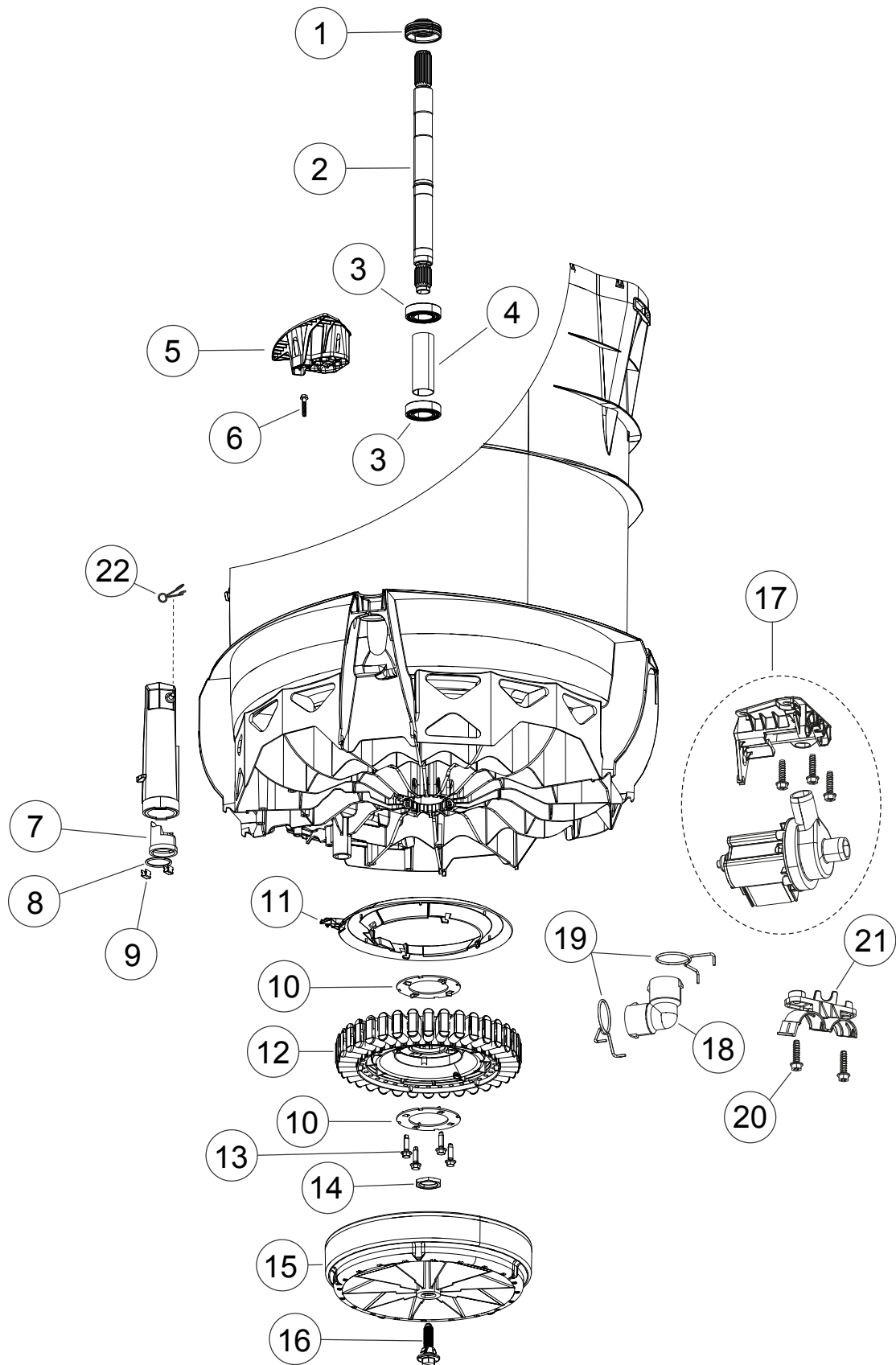
INNER & OUTER BOWL



INNER & OUTER BOWL

| REFERENCE | PART NUMBER | PART DESCRIPTION |
|-----------|-----------------|---------------------------------------|
| 1 | 426993P | DISPENSER ASSEMBLY WHITE PKD |
| 2 | 420665P | BOLT AGITATOR |
| 3 | 425025P | AGITATOR PKD |
| 4 | 420197P | CLIP BIAS SPRING SD11 |
| 5 | 424346 | SPRING BIAS |
| 6 | 424939P | NECKRING 60 |
| | Includes 424346 | SPRING BIAS |
| | Includes 420197 | CLIP BIAS SPRING SD11 |
| | Includes 424945 | PAD NECK RING 60 |
| 7 | 425131P | SCREW CLUTCH X10 PKD |
| 8 | 479318P | KIT SPLINE DRIVE |
| | Includes 425080 | SPLINE DRIVEN |
| | Includes 425596 | SPLINE DRIVE ASSY |
| 9 | 424544P | BOWL INNER ASSY 60 (PKD) |
| 10 | 424541P | BOWL OUTER ASSY 60 H/PUMP |
| 11 | 424569P | SUSPENSION ASSEMBLY 68 |
| 12 | 424946 | HARNESS HOSE ASSY 60 |
| 13 | 420375P | HOSE INLET ASSY MIFLEX II(PKD) |
| | Includes | FILTER INLET PLASTIC |
| | Includes | CONNECTOR SEAL (2) |
| | 422680P | HOSE INLET LONG (2M) PKD |
| | Includes | FILTER INLET MIFLEX |
| | Includes | CONNECTOR SEAL MIFLEX (2) |
| 14 | 420016P | KIT FILTER/CONNECTOR (2EA) |
| | Includes 420016 | FILTER INLET MIFLEX |
| | Includes 420017 | CONNECTOR SEAL MFLEX (2) |

MOTOR, PUMP & DRIVE



DWG003652

DWG 003652

MOTOR, PUMP & DRIVE

| REFERENCE | PART NUMBER | PART DESCRIPTION |
|-----------|-------------|------------------------------|
| 1 | 425009P | LIPSEAL PKD |
| 2 | 420794P | SHAFT DRIVE INT THREAD |
| 3 | 425006P | BEARING 6005LLU PKD |
| 4 | 425007 | SPACER BEARING |
| 5 | 424830 | COVER SUMP 60 |
| 6 | 425162 | SCREW COVER X10 PKD |
| 7 | 425763 | PLUG ASSY PRESSURE CHAMBER |
| 8 | 425149 | SEAL O RING PRESSURE CHAMBER |
| 9 | 613710P | CLIP EDGE (PKT 2) |
| 10 | 426174P | CLAMP PLATE STATOR LANCED |
| 11 | 424296P | SHIELD MOTOR UL PKD |
| 12 | 438446P | STATOR MA35M ASSY |
| 13 | 426835P | SCREW STATOR (PKT 10) |
| 14 | 425171 | NUT BEARING |
| 15 | 438503P | ROTOR ASSY SPARES |
| 16 | 420664P | BOLT ROTOR |
| 17 | 424793P | PUMP HANNING 60 ASSY |
| 18 | 421801 | ELBOW HOSE PUMP |
| 19 | 422500 | CLAMP HOSE 031.54 |
| 20 | 424150P | SCREW ST 1/4 X 1" PKD 10 |
| 21 | 424644 | BRACKET DRAIN HOSE 60 |
| 22 | 425611 | CLAMP HOSE 08.5 TALL GRIP |

www.fisherpaykel.com

Copyright © Fisher & Paykel 2015. All rights reserved.
The product specifications in this manual apply to the specific model described at the date of issue. Under our policy of continuous product improvement, these specifications may change at any time. Only use this manual if the product code on the front matches the product code on the serial label of the product.

SG

PRODUCT CODE: 94167-A 07.15