

FISHER & PAYKEL

WASHER

WA8056G1 FP SG

PRODUCT CODE: 94238-A

PARTS MANUAL

SG

INTRODUCTION

BRAND	VOLTAGE	MODEL	PRODUCT CODE
Fisher & Paykel	220-240V 50Hz	WA8056G1 FP SG	94238-A

MODELS

- The models covered by this manual are listed on the front cover.
- The information detailed in this manual is subject to change without notice. The latest version is indicated by the reprint date and replaces any earlier editions.

KIT PARTS

Where a part number is shown against the descriptions for kit components, they are also available as separate items. In addition, some parts may be supplied with these kits that are not available as separate items, and are therefore either not listed, or a part number is not shown against the part description in this manual.

PARTS LIST KEY

NI	As a part reference, indicates the part is not illustrated on the diagram.
NOT USED	As a part number, indicates the diagram part reference is not used in this manual.
NS	As a part number, indicates the part is not servicable.

SG

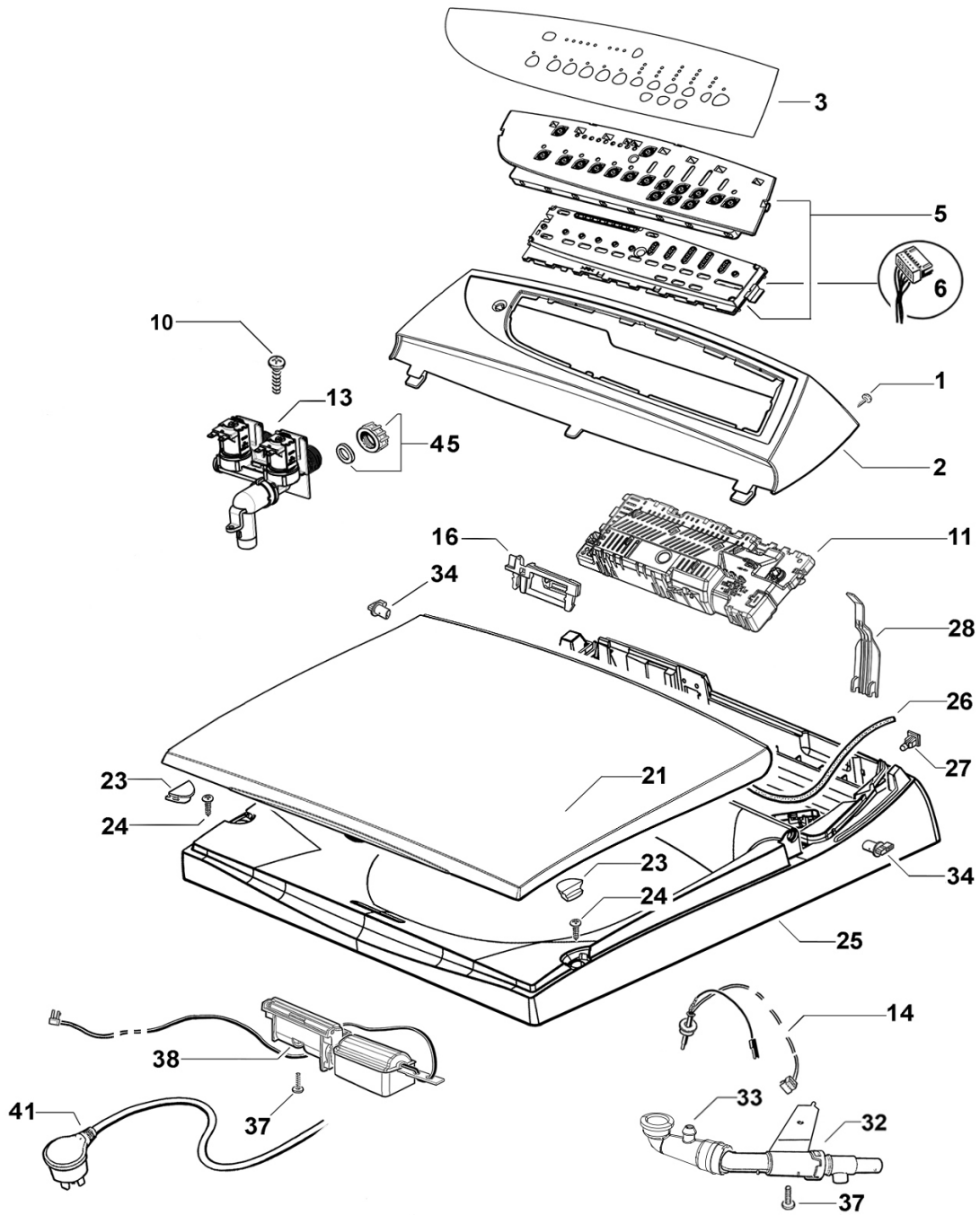
Fisher & Paykel Singapore Pte Ltd
150 Ubi Avenue 4
Sunlight Building #02-00
Singapore 408825

tel: 65 65470100
fax: 65 65470123
service tel: 65 67410777
email: customer.service@fisherpaykel.com.sg

CONTENTS

INTRODUCTION	1
TOP DECK & ELECTRONICS	3
CABINET COMPONENTS	5
AGITATOR & HOSES	7
INNER & OUTER BOWLS & PUMP	9
MOTOR	13

TOP DECK & ELECTRONICS



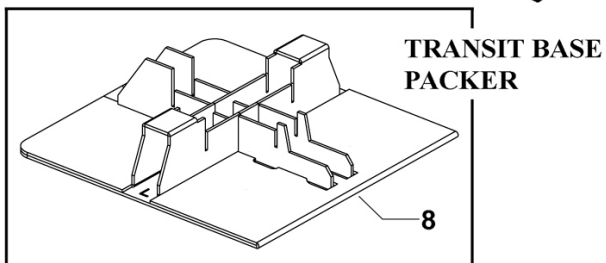
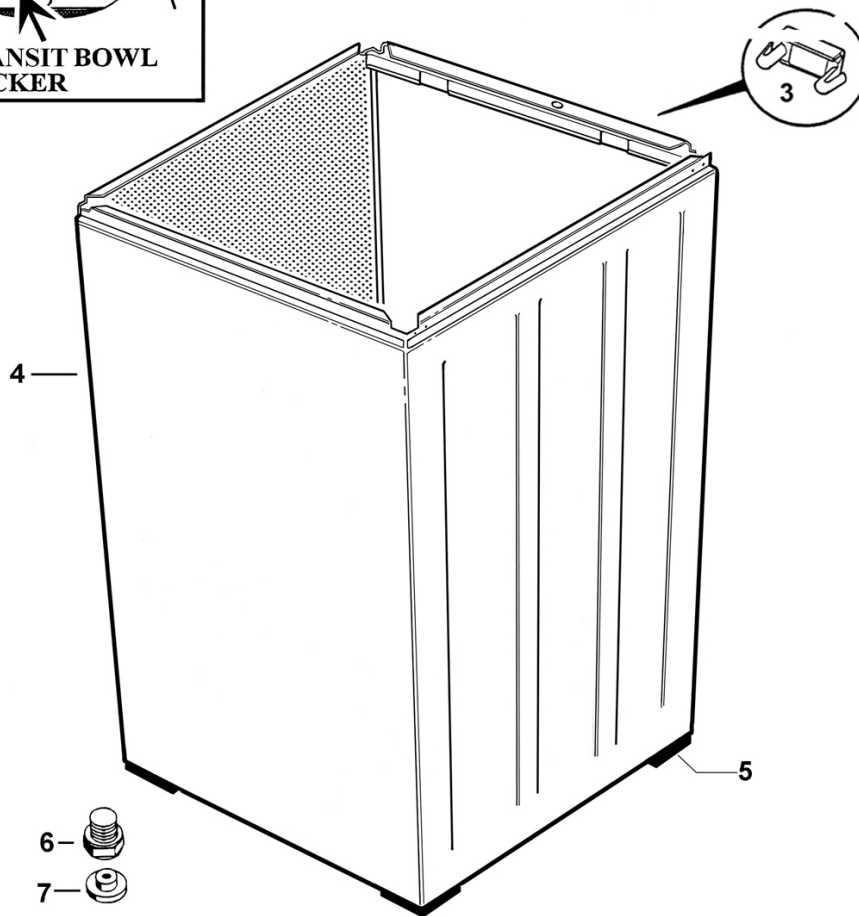
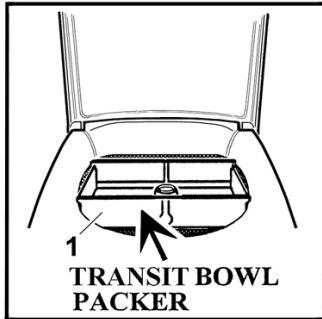
DWG004231

DWG 004231

TOP DECK & ELECTRONICS

REFERENCE	PART NUMBER	PART DESCRIPTION
1	611933P	SCREW ST 8X5/8 TA MTS PH ZNPL (PKT 10)
2	426813P	CONSOLE C11 WHITE PKD
3	429768	PANEL TOUCH G WS LGO
5	421098P	DISPLAY KIT GW PH7/PH6 SVC
	Includes	MODULE DISPLAY SD PH GW
	Includes	INSTRUCTION SHEET
6	420176P	HARNESS DISPLAY GW11
10	611986P	SCREW ST 8X20MM HILO (PKT 10)
11	429995SGP	MOD MC SD9A C2N 230V SG T2 SVC
13	424320P	VALVE INLET DUAL MW
	Includes	HARNESS INLET 2VALVE
14	429448P	THERMISTOR ASSY SVC
16	420738P	CLAMP HARNESS TOP DECK
21	426794P	LID C11 WHITE PKD
23	426793P	BUFFER LID SD11 (PKT 2)
24	611812P	SCREW ST 10X5/8 MSH PAN PH SS430 (PKT 10)
25	420761P	TOP DECK MW/GW/IW C WH
26	426273P	GASKET CONSOLE FOAM CUT
27	422402	NUT SNAP IN SPIRE P0071/05/01/00
28	420133P	COVER WIRING TOPDECK SD11
32	420143P	NOZZLE ASSY SD11
	Includes	BODY NOZZLE SD11
	Includes	CAP NOZZLE SD3
	Includes	SPRING FILL NOZZLE
	Includes	PISTON NOZZLE SD3
33	425974P	ELBOW NOZZLE SD3
34	426825P	HINGE LID SD11 (PKT 2)
37	611808P	SCREW ST 8X1/2 PAN PH SS 430S (PKT 10)
38	424314P	LIDLOCK & HARN ASSY SPARES
41	420757	CORD SET SD HK STRAIN RELIEF
45	388491P	CAP VALVE BLANKING
	Includes 420017	CONNECTOR SEAL VALVE CAP

CABINET COMPONENTS

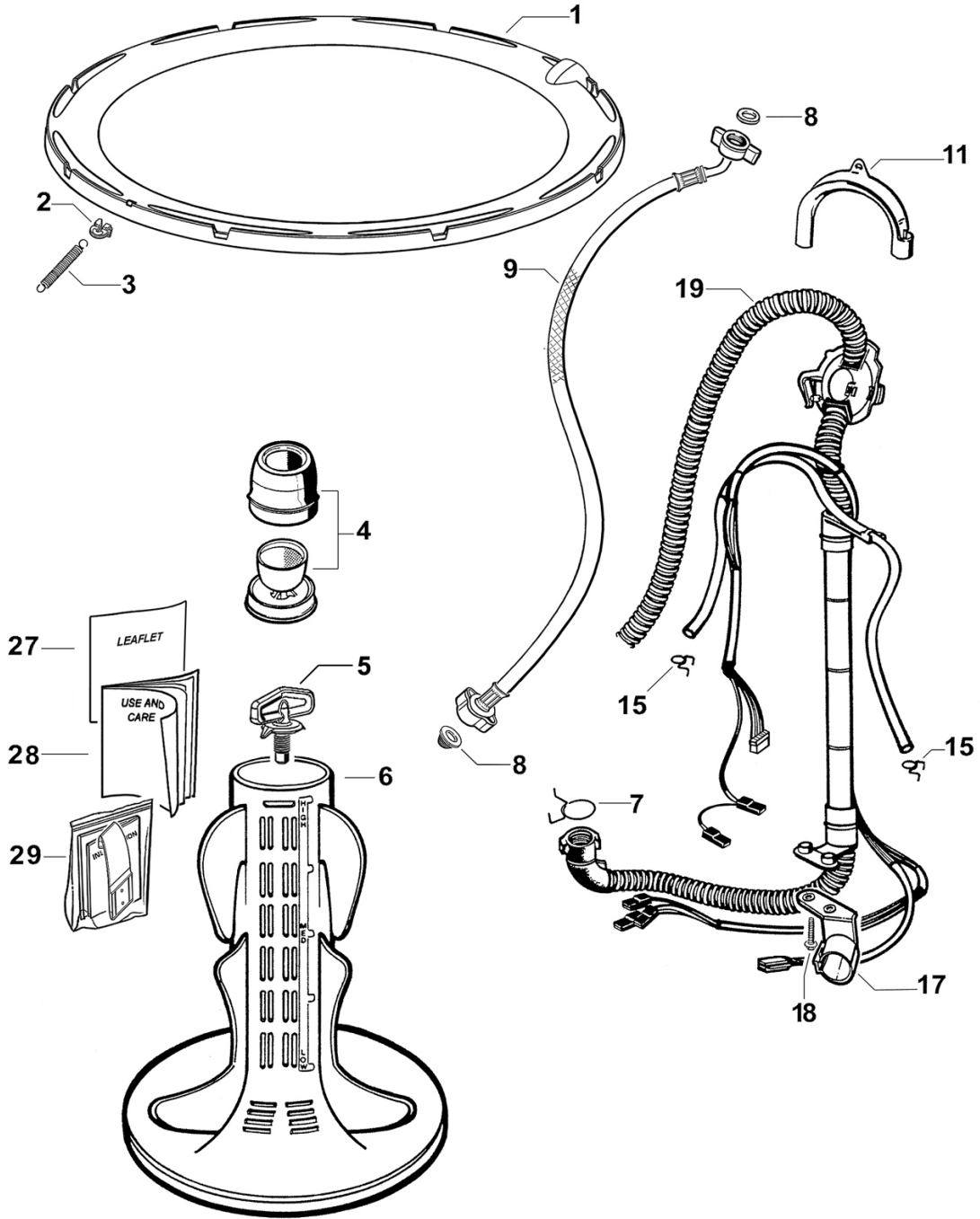


DWG002592

CABINET COMPONENTS

REFERENCE	PART NUMBER	PART DESCRIPTION
1	420069	PACKER BOWL C11
3	426058	COVER EARTH CLIP
4	426661P	WRAPPER ASSY 5 PKD
	Includes	WRAPPER CABINET 500 WHITE
	Includes 420877	WIRE CABINET EARTH RFI CHOKE
	Includes 426058	COVER EARTH CLIP
	Includes	CORNER CABINET / FOOT ASSY (4)
	Includes	FOOT LEVELLING (4)
	Includes 479183	INSERT FOOT
5		PART OF WRAPPER ASSEMBLY
6	472969P	KIT FOOT & INSERT
	Includes	FOOT LEVELLING
	Includes 479183	INSERT FOOT
7	479183P	INSERT FOOT (PKT 4)
8	429900	PACKER BASE OCTAGON 56

AGITATOR & HOSES

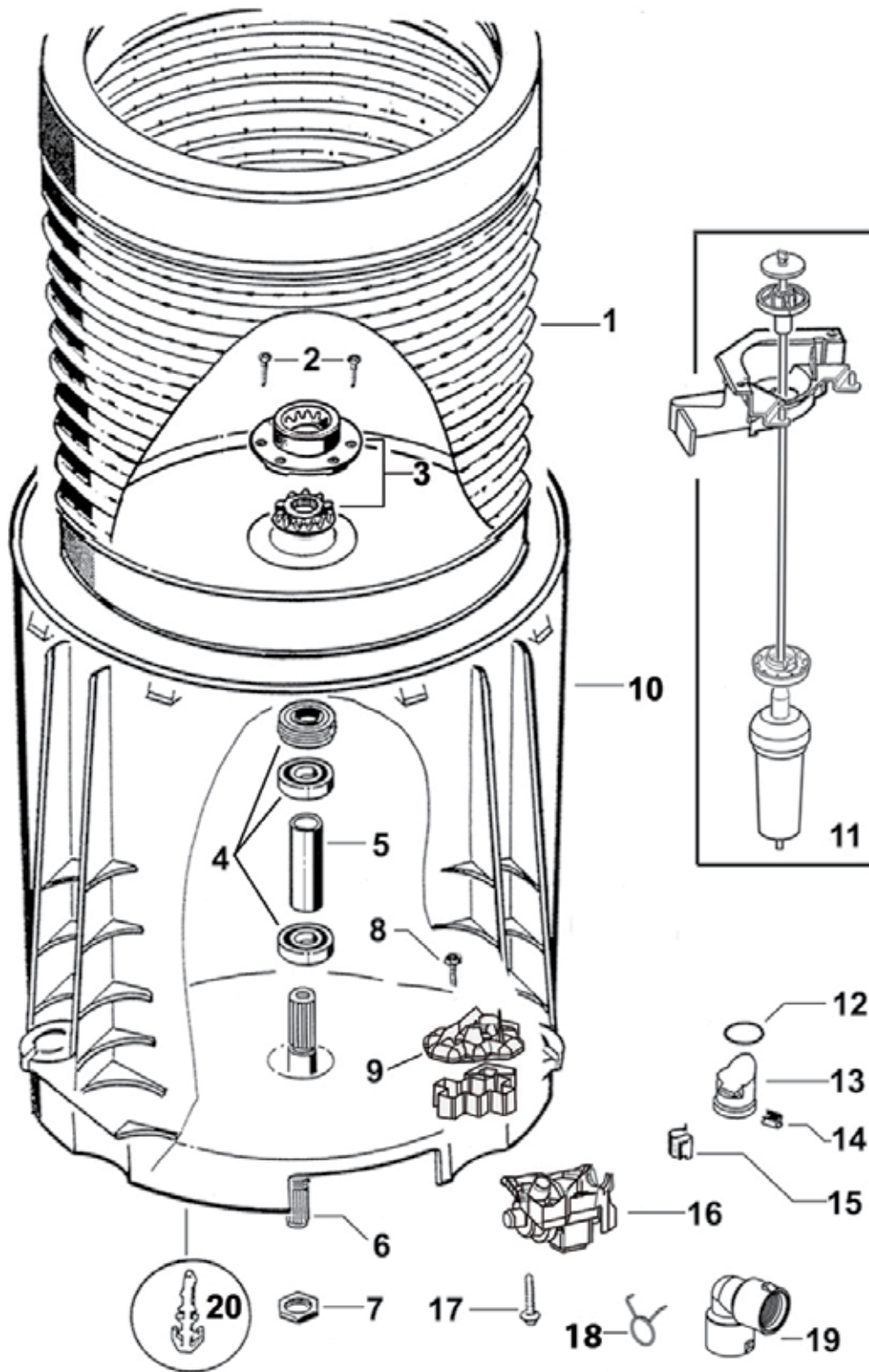


DWG004233

AGITATOR & HOSES

REFERENCE	PART NUMBER	PART DESCRIPTION
1	426807P	NECK RING ASSY C11
	Includes 426810	NECK RING C11
	Includes 420197	CLIP BIAS SPRING
	Includes 420122	SPRING BIAS
2	420197P	CLIP BIAS SPRING SD11
3	420122P	SPRING BIAS SD11
4	426993P	DISPENSER ASSY WHITE
5	420665	BOLT AGITATOR
6	425025P	AGITATOR PKD
7	424205	CLAMP HOSE FLAT BDN 32/12
8	420016P	KIT FILTER / CONNECTOR SEAL
	Includes 420016	FILTER INLET MIFLEX (2)
	Includes 420017	CONNECTOR SEAL MIFLEX (2)
9	420375P	HOSE INLET ASSY MIFLEX II (10MM ID)
	Includes	FILTER INLET PLASTIC
	Includes	CONNECTOR SEAL (2)
	422680P	HOSE INLET LONG (2MX10MM ID) PKD
	Includes 420016	FILTER INLET MIFLEX
	Includes 420017	CONNECTOR SEAL MIFLEX (2)
11	420667P	GUIDE OUTLET HOSE PKD
15	425611	CLAMP HOSE 08.5 TALL GRIP
17	425503	BRACKET DRAIN HOSE
18	425150P	SCREW ST 1/4X1" PLASTITE (PKT 10)
19	429503P	HOSE & HARNESS ASSY 56
27	820303	CARD REGISTRATION FP AA
28	424675	BOOK USE & CARE WS/QS NZ/AU/SG
29	479273	KIT CATCH LID
	Includes 479263	CATCH LID PARTIAL OPENING
	Includes 479278	TAPE FOAM DIE CUT 46X40X1
	Includes 479272	LEAFLET INSTALLATION CATCH LID

INNER & OUTER BOWLS & PUMP



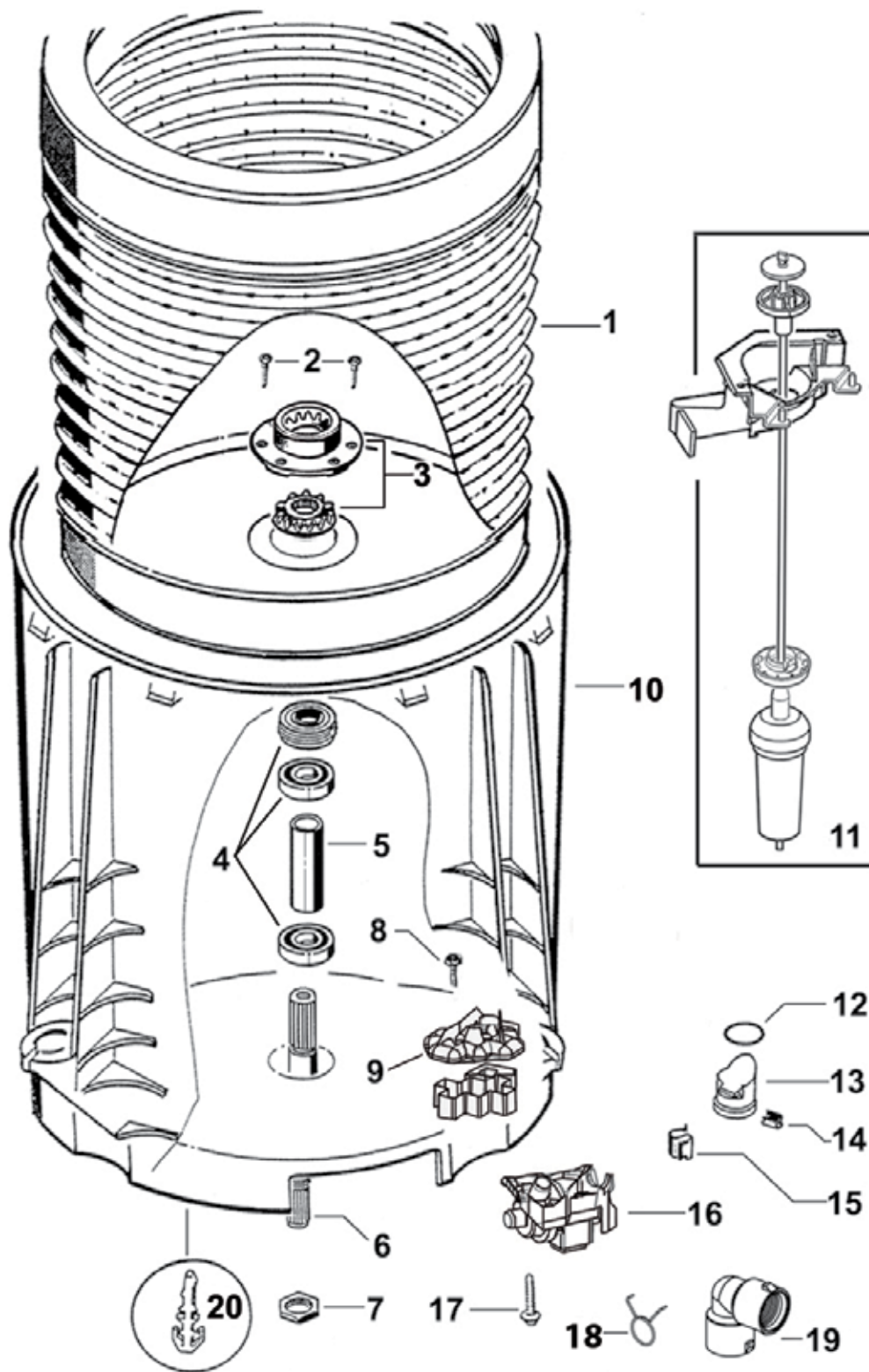
DWG004243

DWG 004243

INNER & OUTER BOWLS & PUMP

REFERENCE	PART NUMBER	PART DESCRIPTION
1	426097P	BOWL INNER 500 ASSY PKD
	Includes 425080	SPLINE DRIVEN
	Includes 425131	SCREW CLUTCH (3)
	Includes 425596	SPLINE DRIVE ASSY
2	425131P	SCREW CLUTCH (PKT 10)
3	479318P	KIT SPLINE DRIVE
	Includes 425080	SPLINE DRIVEN
	Includes 425596	SPLINE DRIVE ASSY
4	429565P	KIT BEARING LIPSEAL
5	425007	SPACER BEARING
6	420794P	KIT SHAFT SHORTENED
	Includes 420664	BOLT ROTOR
	Includes 420665	BOLT AGITATOR
	Includes 479359	INSTRUCTION SHEET
7	425171	NUT BEARING
8	425162P	SCREW COVER (PKT 10)
9	421977P	KIT DRAIN LABYRINTH CAP/HOOD/IMPELLOR
	Includes 425115	SEAL PUMP CAP
	Includes 421976	CAP & HOOD PUMP ASSY LABYRINTH
10	421998P	KIT BOWL OUTER SYNC 56
	Includes	BEARING 6005LLU
	Includes 425007	SPACER BEARING
	Includes	LIP SEAL
	Includes 425162	SCREW COVER
	Includes 421976	CAP & HOOD PUMP ASSY LABYRINTH
	Includes 421094	SHIELD MOTOR UL (BLACK)
	Includes 425961	SHIELD MOTOR SD UL (BROWN)
	Includes 426145	TUBE BUFFER SHIELD MOTOR UL (4)
	Includes	SHEET INSTALLATION INSTRUCTION
	Includes	KIT ROTOR SERVICE
11	420952P	SUSPENSION ASSY DBLE SQUASH (PKT 4)

INNER & OUTER BOWLS & PUMP



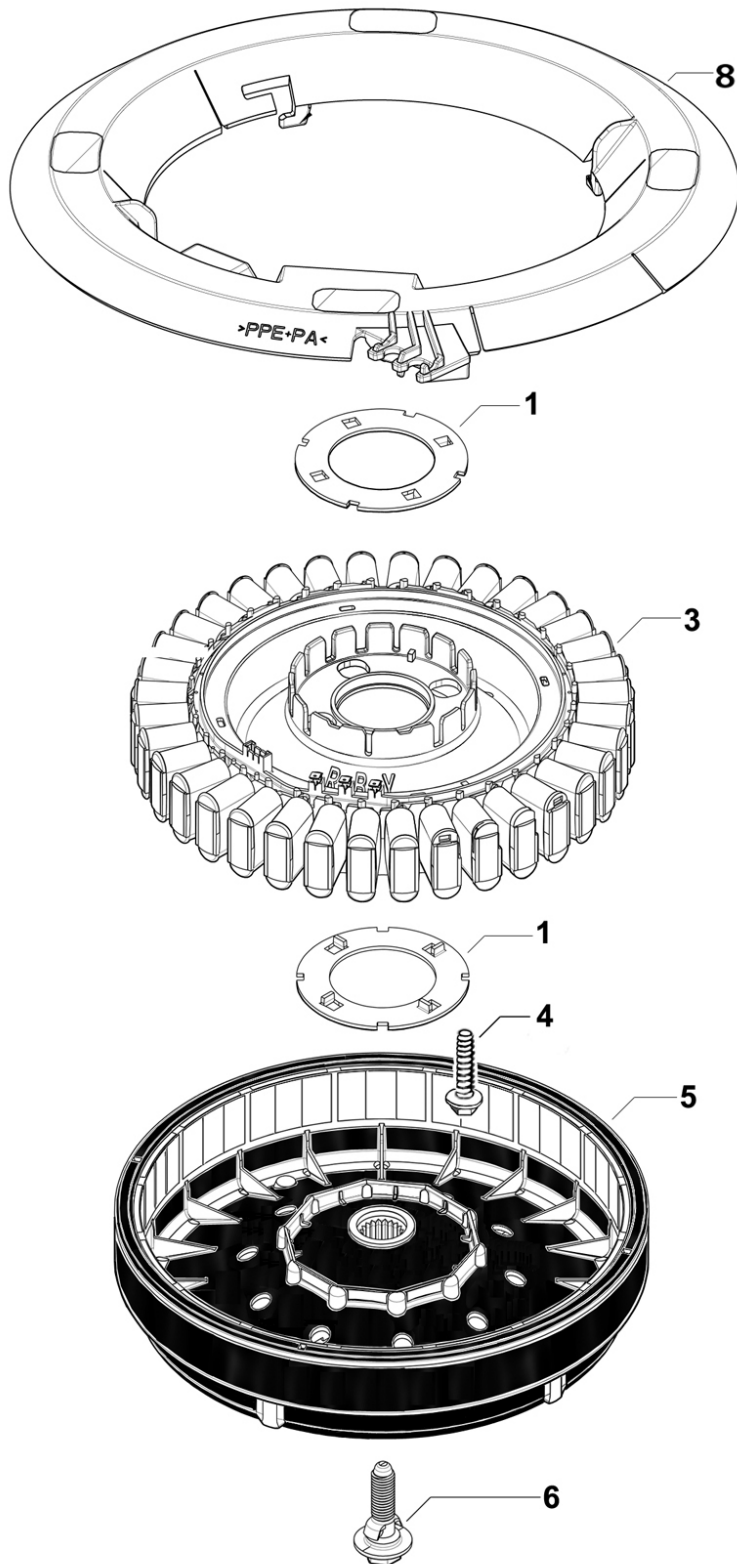
DWG004243

DWG 004243

INNER & OUTER BOWLS & PUMP

REFERENCE	PART NUMBER	PART DESCRIPTION
12	425149	SEAL O RING PRESSURE CHAMBER
13	425097	PLUG PRESSURE CHAMBER
14	613710P	CLIP EDGE (PKT 2)
15	613709P	CLIP PIPE UNITED CARR FT19280-ZNPL
16	421820P	PUMP & BRACKET ASSY 230V
17	425150P	SCREW ST 1/4X1" PLASTITE (PKT 10)
18	422500	CLAMP HOSE 031.5
19	421801	ELBOW HOSE PUMP
20	472867P	CLIP WIRING OUTER BOWL

MOTOR



MOTOR

REFERENCE	PART NUMBER	PART DESCRIPTION
1	426174P	CLAMP PLATE STATOR LANCED (PAIR)
3	429563P	KIT STATOR MA35M ASSEMBLY
	Includes	STATOR ASSY 0.6 AL
4	426835P	SCREW STATOR (PKT 10)
5	438503P	ROTOR ASSY SPARES
	Includes 420664	BOLT ROTOR
6	420664P	BOLT ROTOR
8	424296P	SHIELD MOTOR UL PKD

FISHERPAYKEL.COM

© Fisher & Paykel Appliances LTD 2018. All rights reserved.

The product specifications in this booklet apply to the specific products and models described at the date of issue. Under our policy of continuous product improvement, these specifications may change at any time. You should therefore check with your Dealer to ensure this booklet correctly describes the product currently available.

SG

PRODUCT CODE: 94238-A 12.18