

FISHER & PAYKEL

FRONTLOAD WASHING MACHINE

WH7560J3 FP SG

PRODUCT CODE: 95125-A

PARTS MANUAL

SG

INTRODUCTION

BRAND	VOLTAGE	MODEL	PRODUCT CODE
Fisher & Paykel	240/208 VAC 60Hz	WH7560J3 FP SG	95125-A

MODELS

- The models covered by this manual are listed on the front cover.
- The information detailed in this manual is subject to change without notice. The latest version is indicated by the reprint date and replaces any earlier editions.

KIT PARTS

Where a part number is shown against the descriptions for kit components, they are also available as separate items. In addition, some parts may be supplied with these kits that are not available as separate items, and are therefore either not listed, or a part number is not shown against the part description in this manual.

PARTS LIST KEY

NI	As a part reference, indicates the part is not illustrated on the diagram.
NOT USED	As a part number, indicates the diagram part reference is not used in this manual.
NS	As a part number, indicates the part is not servicable.

SG

Fisher & Paykel Singapore Pte Ltd

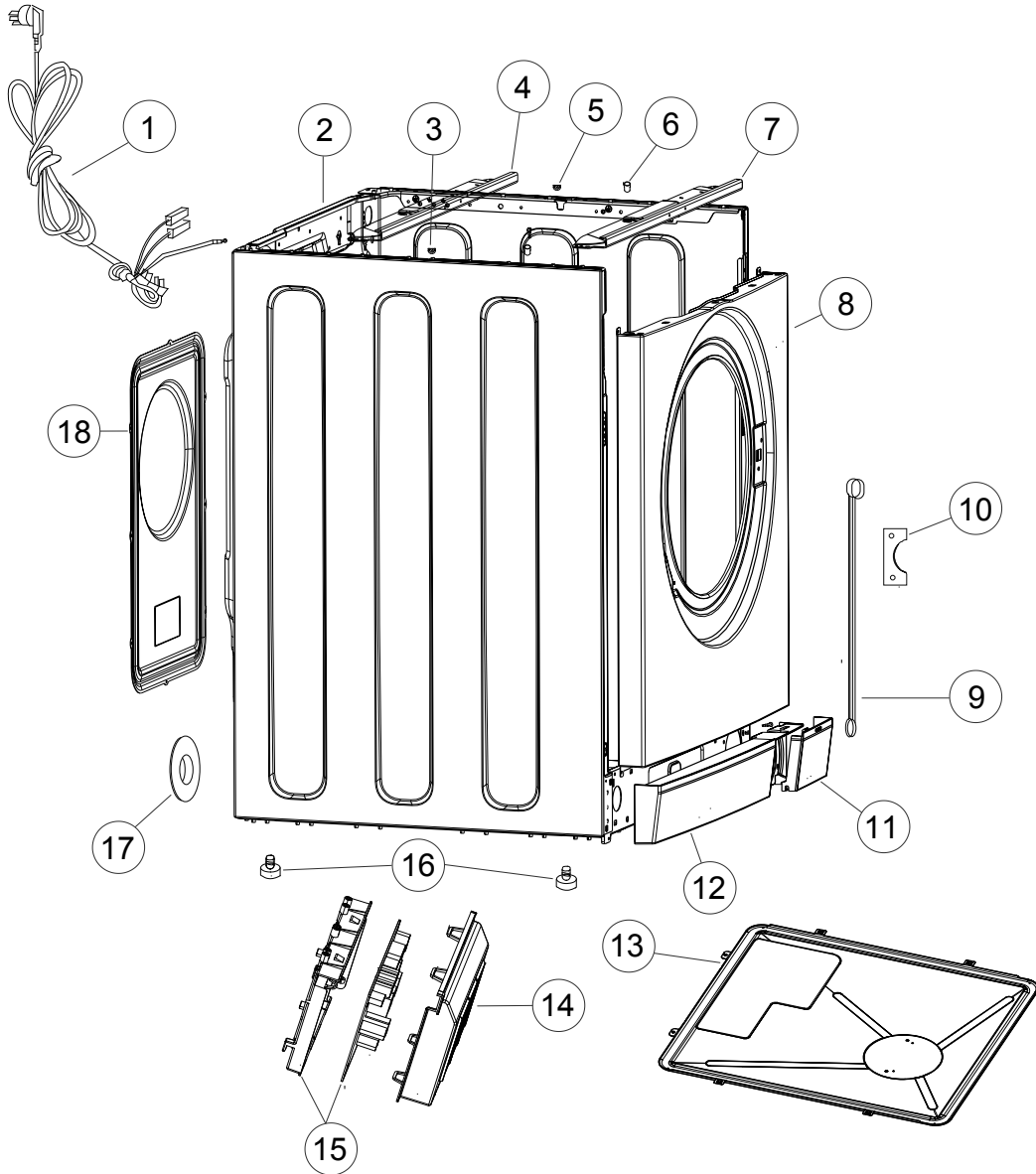
tel: 65 65470100
fax: 65 65470123
service tel: 65 67410777
email: customer.service@fisherpaykel.com.sg

www.fisherpaykel.com

CONTENTS

INTRODUCTION	1
CABINET COMPONENTS	3
CONTROL PANEL COMPONENTS	5
DOOR COMPONENTS	7
DISPENSER & WIRING COMPONENTS	9
DRUM COMPONENTS	11

CABINET COMPONENTS

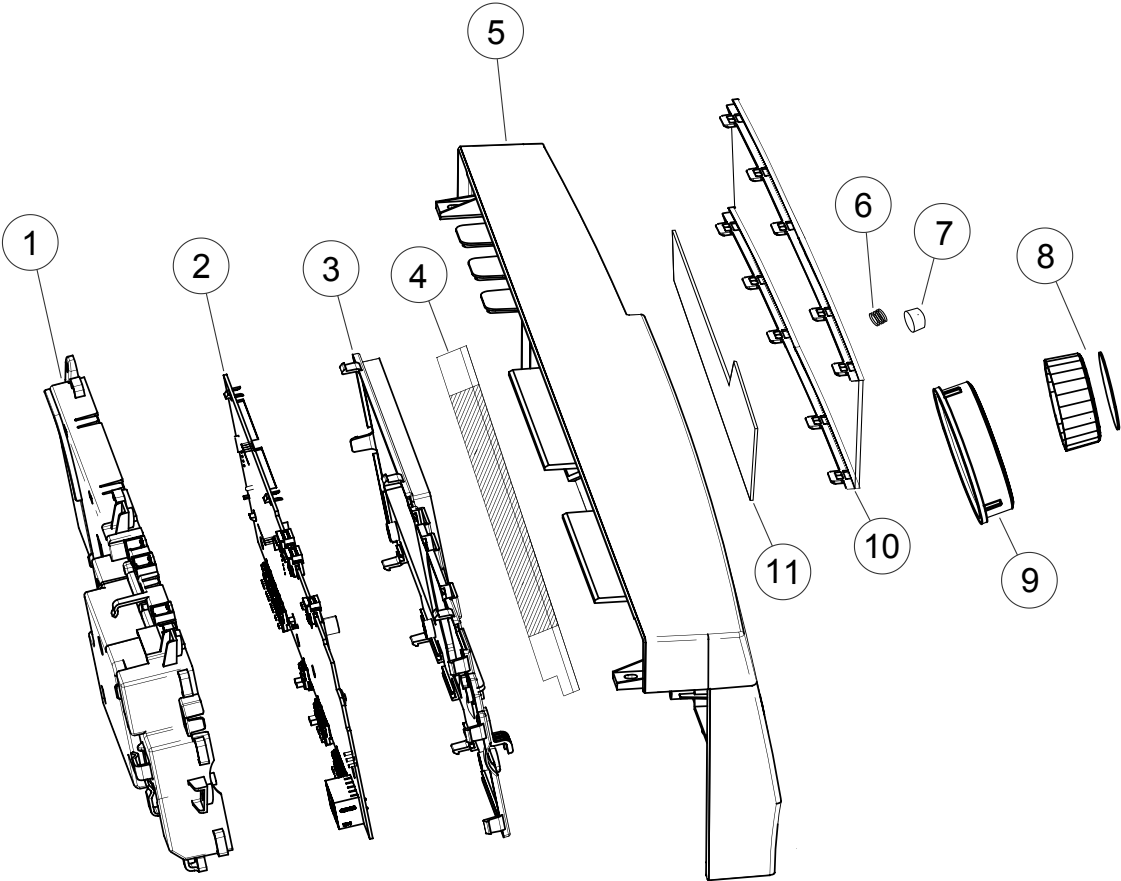


DWG004212

CABINET COMPONENTS

REFERENCE	PART NUMBER	PART DESCRIPTION
1	H0020400196B	CABLE POWER
2	H0020808595A	CABINET
3	H00214800503000	SUPPORT SPRING
4	H0020100812A	BRACKET MAIN BEAM
5	H0020203391	BRACKET RH SUSPENSION SPRING
6	H0020200290	GUIDE TOP PANEL
7	H0020103067A	BRACKET FRONT
8	H0020100852C	PANEL FRONT CABINET WH
9	H0020202683A	DOOR LOCK PLASTIC POLE
10	H0020102938C	BRACKET RETAINER DOOR HINGE
11	H0020204110	DOOR PUMP FILTER
12	H0020204109	PANEL KICK STRIP
13	H0020100547B	BASE PANEL
14	H0020205106	HOUSING B MOTOR CONTROLLER
15	H0021800035Q	PCB MOTOR CONTROLLER
16	H0020300170F	FOOT
17	H0020204516	DRAIN HOSE HOLDER
18	H0020808584	PANEL REAR COVER

CONTROL PANEL COMPONENTS

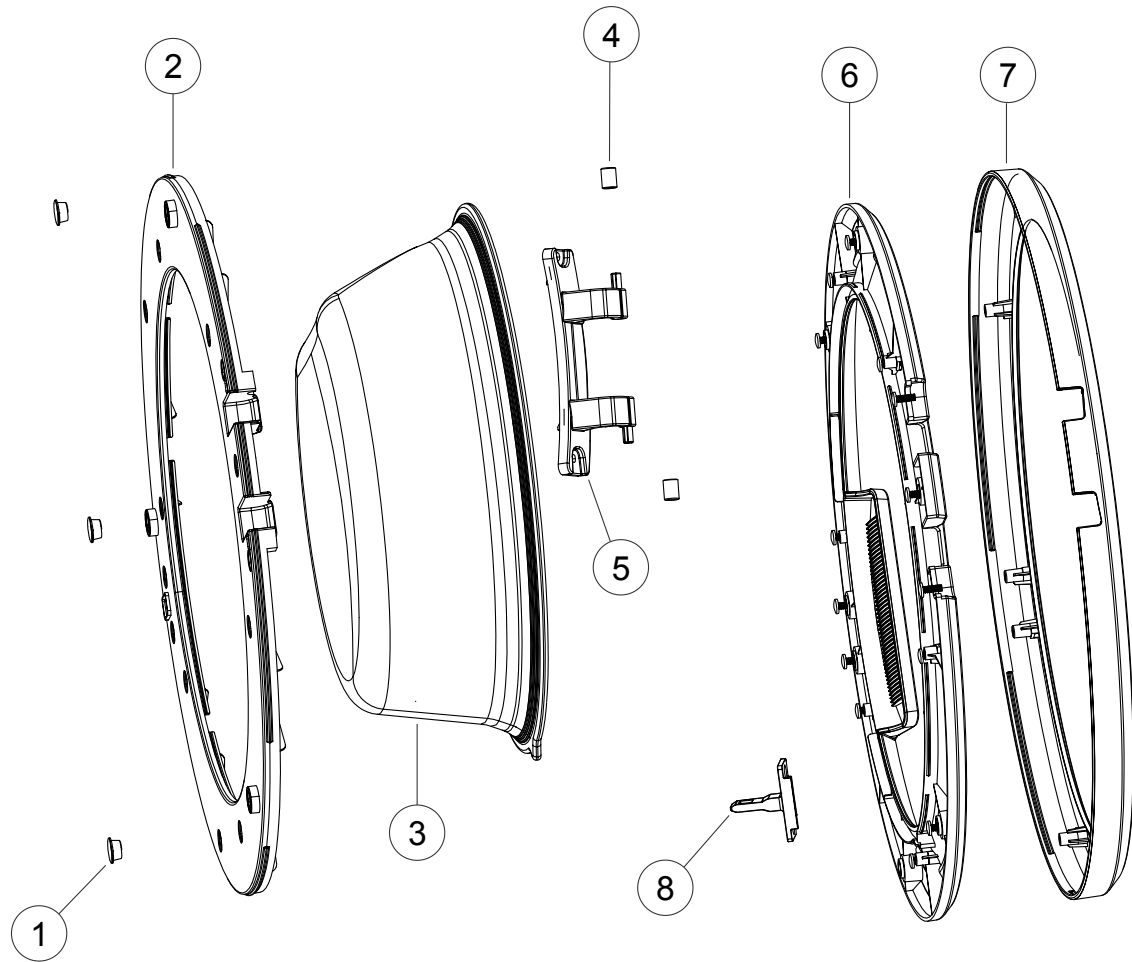


DWG004213

CONTROL PANEL COMPONENTS

REFERENCE	PART NUMBER	PART DESCRIPTION
1	H0180200154A	HOUSING PCB BOTTOM COVER
2	H0021800040FA	PCB DISPLAY
3	H0180200155A	HOUSING PCB
4	H0020204276	WATERPROOF MEMBRANE
5	H0020204017	PANEL DISPLAY CONTROLLER
6	H0020102832	SPRING FUNCTION BUTTON
7	H0180500300	BUTTON POWER
8	H0020808449	KNOB PROGRAMME SELECTOR
9	H0180200162A	LIGHT GUIDE
10	H0020507259K	PANEL TOUCH J3
11	H0021800047B	PCB BUTTON TOUCH

DOOR COMPONENTS

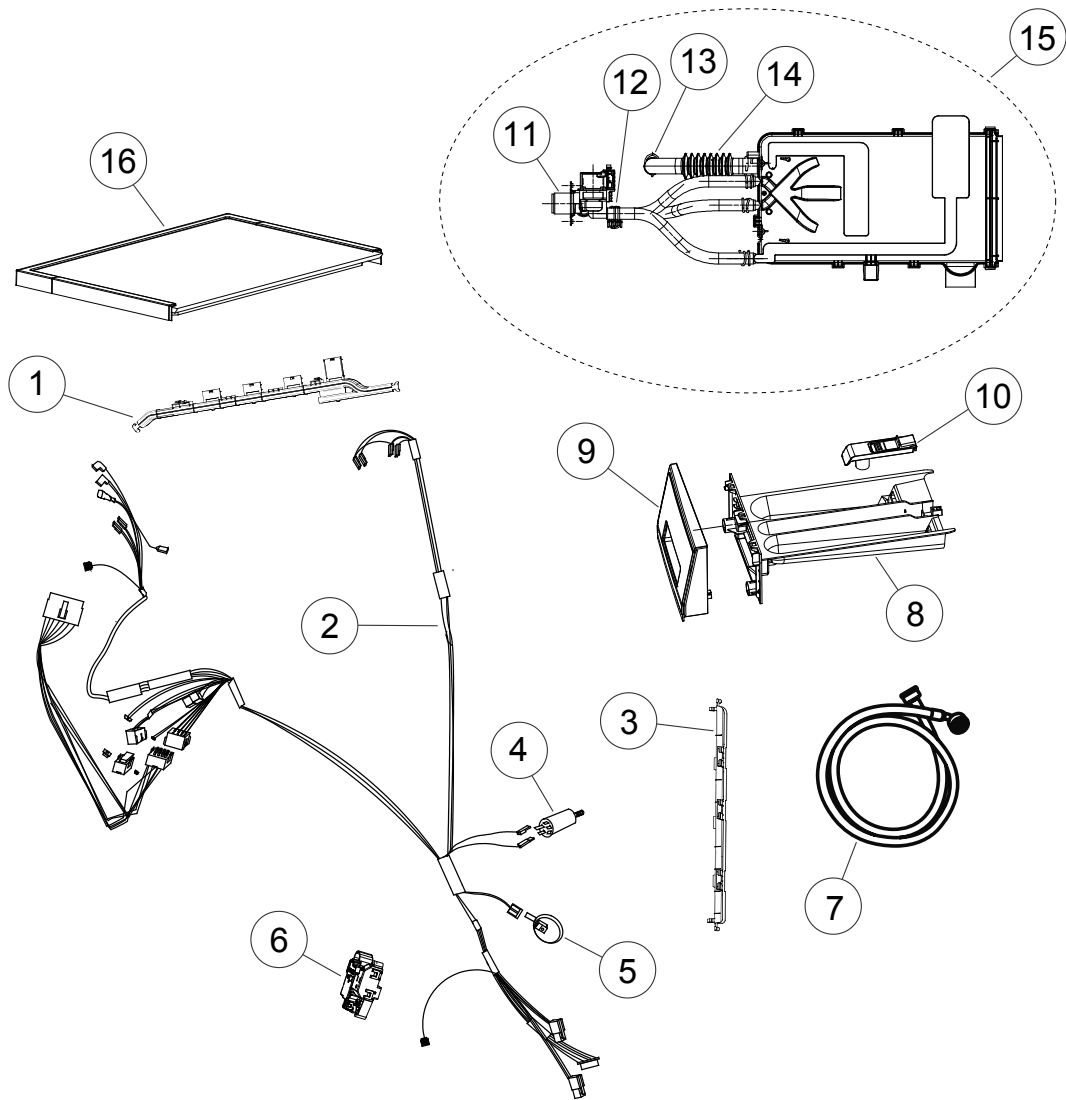


DWG002958 - FEBRUARY 2013

DOOR COMPONENTS

REFERENCE	PART NUMBER	PART DESCRIPTION
1	H0020300740	BUFFER DOOR INNER
2	H0020204108A	COVER INNER DOOR
3	H0021400015	PORTHOLE DOOR
4	H0020201212	CAP HINGE ASSY
5	H0020100677	HINGE
6	H0020204107A	COVER MIDDLE OF DOOR
7	H0020204106A	COVER OUTER DOOR
8	H0020100284A	HOOK DOOR LATCH

DISPENSER & WIRING COMPONENTS

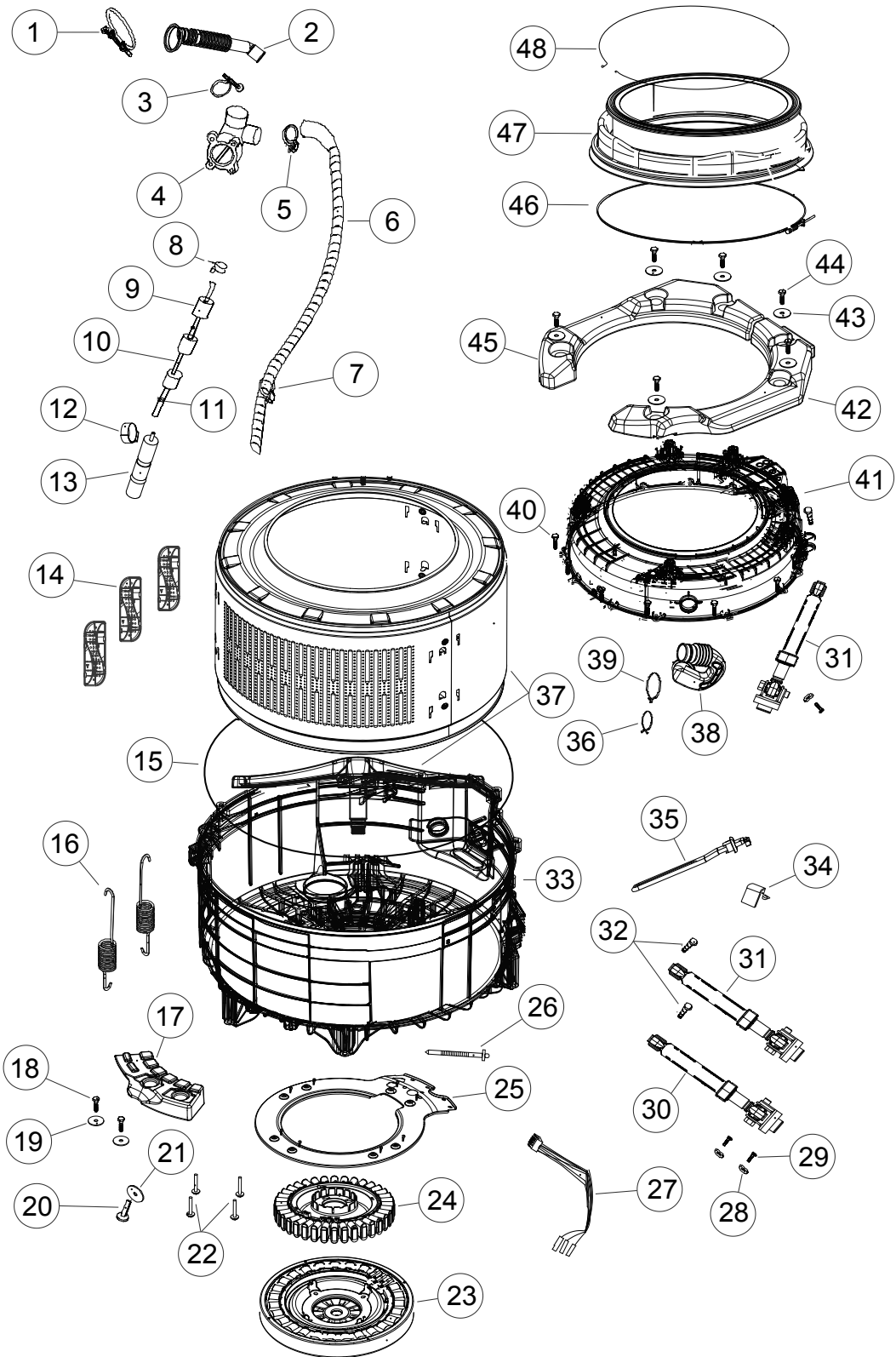


DWG004214

DISPENSER & WIRING COMPONENTS

REFERENCE	PART NUMBER	PART DESCRIPTION
1	H0020204469	GUIDE HARNESS LONG
2	H0020400270J	HARNESS MAIN J3
3	H0020204470	GUIDE HARNESS SHORT
4	H0024000247B	CAPACITOR MAINS FILTER
5	H0024000317	PRESSURE SENSOR
6	H0024000128A	DOOR LOCK
7	H0020300158A	HOSE INLET AW COLD
8	H0020205098	DISPENSER
9	H0020808608C	HANDLE DISPENSER 7560 & 8560 P
10	H0020205097	SYPHON DISPENSER
11	H0024000126D	COLD WATER VALVE
12	H00218230700611A	CLIP VALVE ASSY
13	H00218870330611A	CLAMP INLET HOSE
14	H0020300878	HOSE VALVE TO DISPENSER
15	H0020810355D	STORAGE TANK ASSY J3
16	H0020807969B	TOP COVER

DRUM COMPONENTS



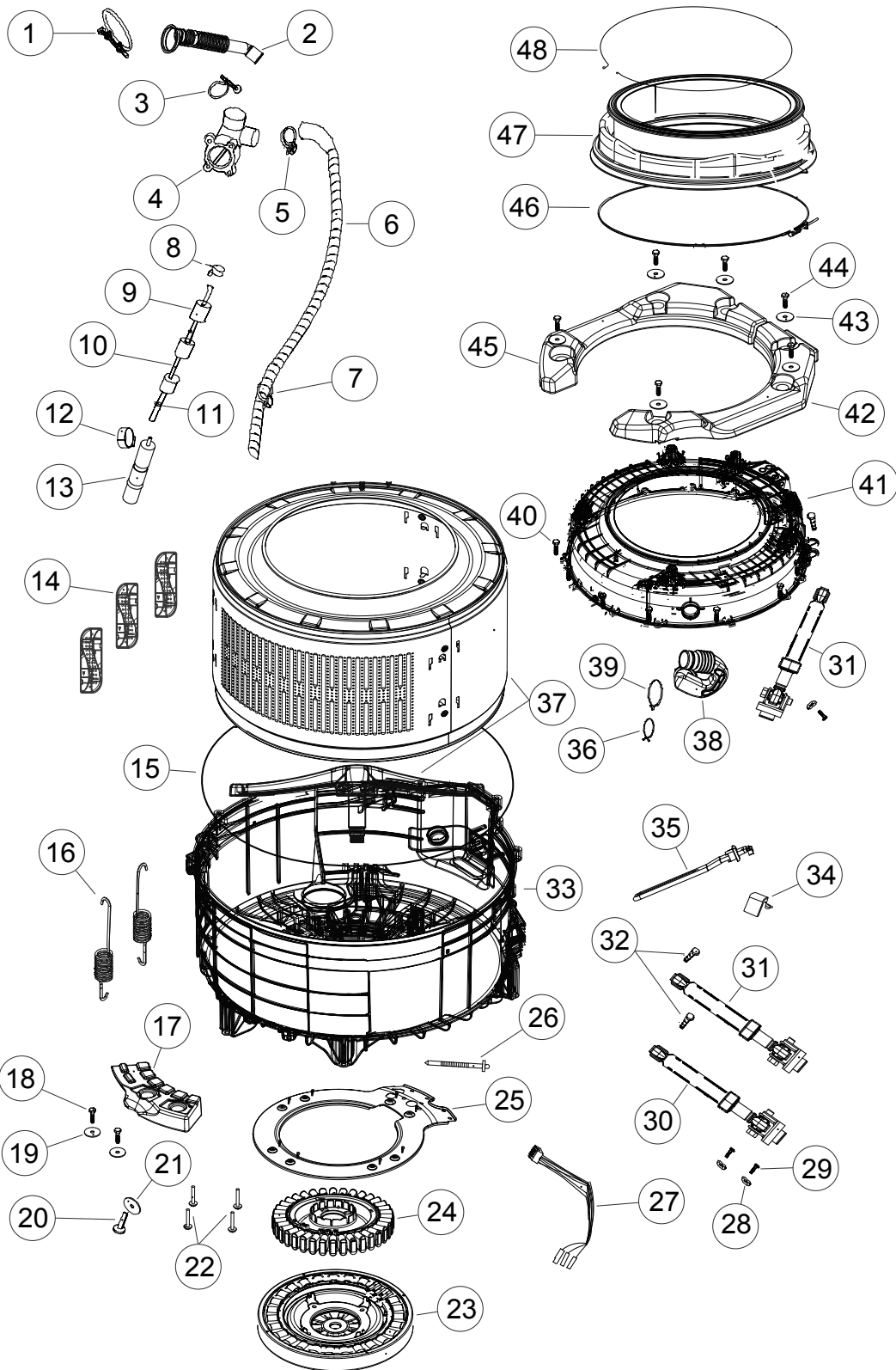
DWG004215

DWG 004215

DRUM COMPONENTS

REFERENCE	PART NUMBER	PART DESCRIPTION
1	H00297023000100A	CLAMP TUB DRAIN HOSE
2	H0020300387A	HOSE TUB PUMP
3	H00215200294400A	CLAMP PUMP INNER HOSE
4	H0022150033660401G	PUMP DRAIN FL WM
5	H0020600050A	CLAMP HOSE VALVE
6	H0020300148	HOSE DRAIN
7	H00221120363014	CLAMP HOSE DRAIN PUMP
8	H00218210650611A	CLIP
9	H00212500011100	SPONGE PROTECTOR PRESSURE TUBE
10	H0020300430A	HOSE DISPENSER TUB
11	H00211320015200A	CLIP
12	H00215200004402	CLIP PRESSURE TUBE
13	H0020202906	AIR BELL
14	H0020203152A	DRUM VANE
15	H0020300510	SEAL TUB FRONT TO REAR
16	H0020600214	SPRING SUSPENSION
17	H0020300793	COUNTER WEIGHT REAR
18	H0020600285	BOLT COUNTERWEIGHT
19	H0020600147A	WASHER COUNTER WEIGHT
20	H0020600404	BOLT ROTOR
21	H0020600287	WASHER ROTOR
22	H0020600405	SCREW STATOR
23	H0024000329A	STATOR
24	H0024000329	ROTOR
25	H0020809325A	SHIELD FLAME
26	H00214800909100	CLIP HARNESS
27	H0020400087E	HARNESS MOTOR
28	H00215000035200	WASHER STEEL
29	H0020600403	BOLT SHOCK ABSORBER
30	H0020808145B	SHOCK ABSORBER (120N)
31	H0020808145	SHOCK ABSORBER (80N)
32	H0020202225	PIN SHOCK ABSORBER

DRUM COMPONENTS



DWG004215

DWG 004215

DRUM COMPONENTS

REFERENCE	PART NUMBER	PART DESCRIPTION
33	H0020808199PA	TUB REAR INC BEARING & SEAL
34	H0020100432	BRACKET HEATER
35	H0024000279	ELEMENT HEATER
36	H00218230460611A	CLAMP BOWL VENT CABINET
37	H0020808271S	INNER DRUM 7 / 7.5KG J SERIES
	Includes	TRIPOD ASSY
38	H0020300797	HOSE DISPENSER TUB
39	H00211320018800A	CLAMP 43 TUB DISPENSER
40	H00215100001000	SCREW
41	H0020203540A	TUB FRONT
42	H0020300792A	COUNTERWEIGHT R
43	H0020600147A	WASHER COUNTER WEIGHT
44	H0020600285	BOLT COUNTERWEIGHT
45	H0020300792	COUNTERWEIGHT L
46	H0020600211	CLAMP TUB BELLOWS
47	H0020300590D	BELLOWS
48	H0020600081	CLAMP DOOR BELLOWS
NI	H00214800021100	DOOR CLAMP NUT NYLON
NI	H0020100654	SPANNER INSTALLATION
NI	H0020809962	TRANSIT BOLT

FISHERPAYKEL.COM

© Fisher & Paykel Appliances Ltd 2019. All rights reserved.

The product specifications in this document apply to the specific products and models described at the date of issue. Under our policy of continuous product improvement, these specifications may change at any time. You should therefore check with your Dealer to ensure this booklet correctly describes the product currently available.

NZ AU

PRODUCT CODE: 95125-A 07.19