



# Front Loading Washing Machine

## Models

WH70F60W 1 FP AA





## PRODUCT

**Brand** Fisher & Paykel  
**Voltage** 220-240V 50Hz  
**Model** WH70F60W 1 FP AA  
**Product Code** 98707

**Fisher & Paykel Australia Pty Ltd**  
A.C.N. 003 335 171  
19 Enterprise Street  
P O Box 798  
Cleveland, Queensland 4163  
Telephone: 07 3826 9100  
Facsimile: 07 3826 9164

COPYRIGHT © FISHER & PAYKEL LTD 2007 ALL RIGHTS RESERVED



# CONTENTS

CABINET AREA ..... 6

DOOR AREA..... 8

CONTROL PANEL AREA ..... 10

DRUM AREA..... 12

WATER CIRCULATION AREA ..... 14

ELECTRICAL AREA ..... 16

**GUIDE TO USING THIS MANUAL**

The model and/or series covered by this manual is listed on the front cover.

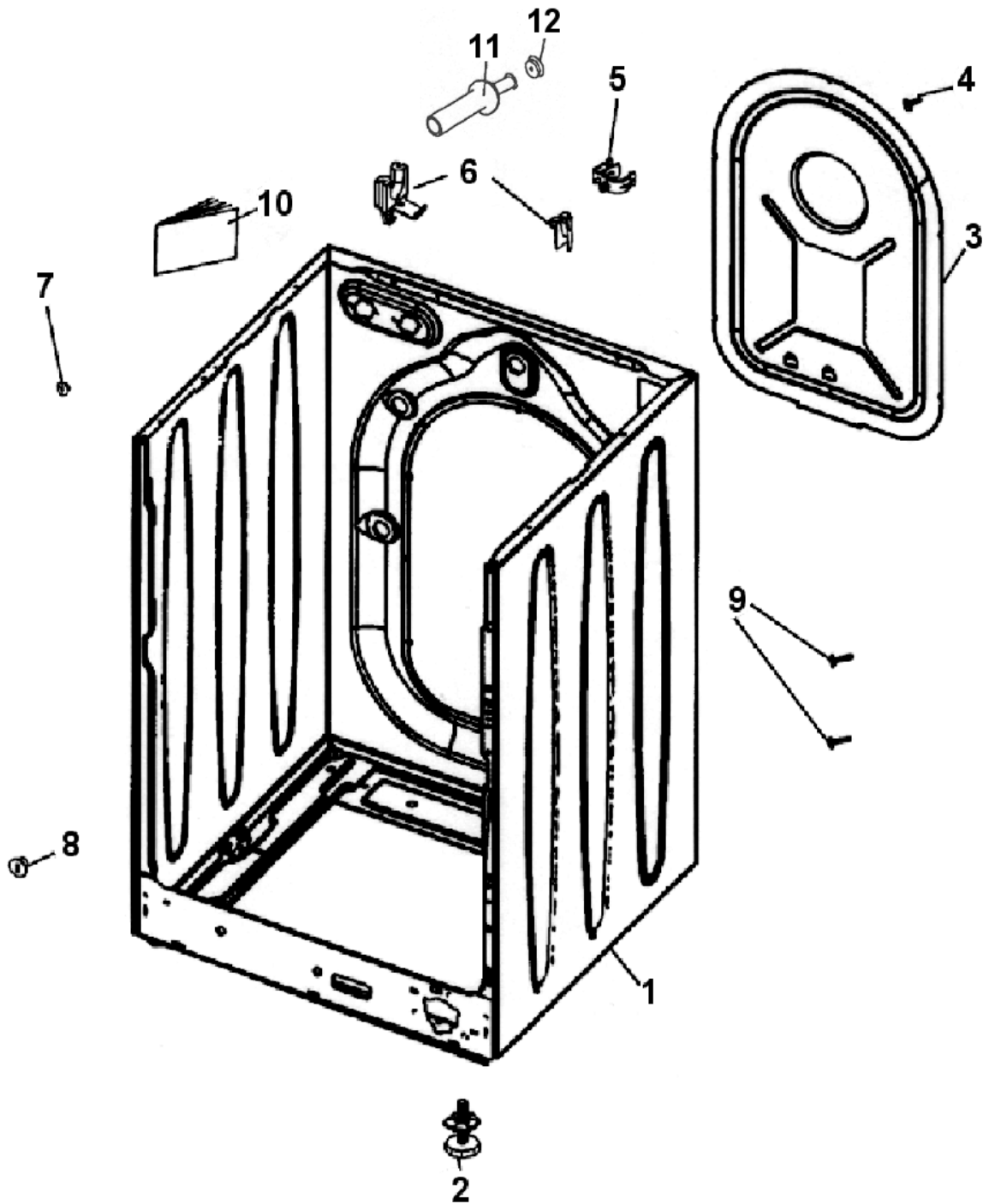
The information detailed in this manual is subject to change without notice. The latest version is indicated by the reprint date and replaces any earlier editions.

The front cover picture shows the type of product and may not necessarily be an exact image of the models covered by the manual.

**Parts List Key**

|    |  |
|----|--|
| NI | As a part reference, indicates the part is not illustrated on the diagram. |
|----|--|

# CABINET AREA



## CABINET AREA

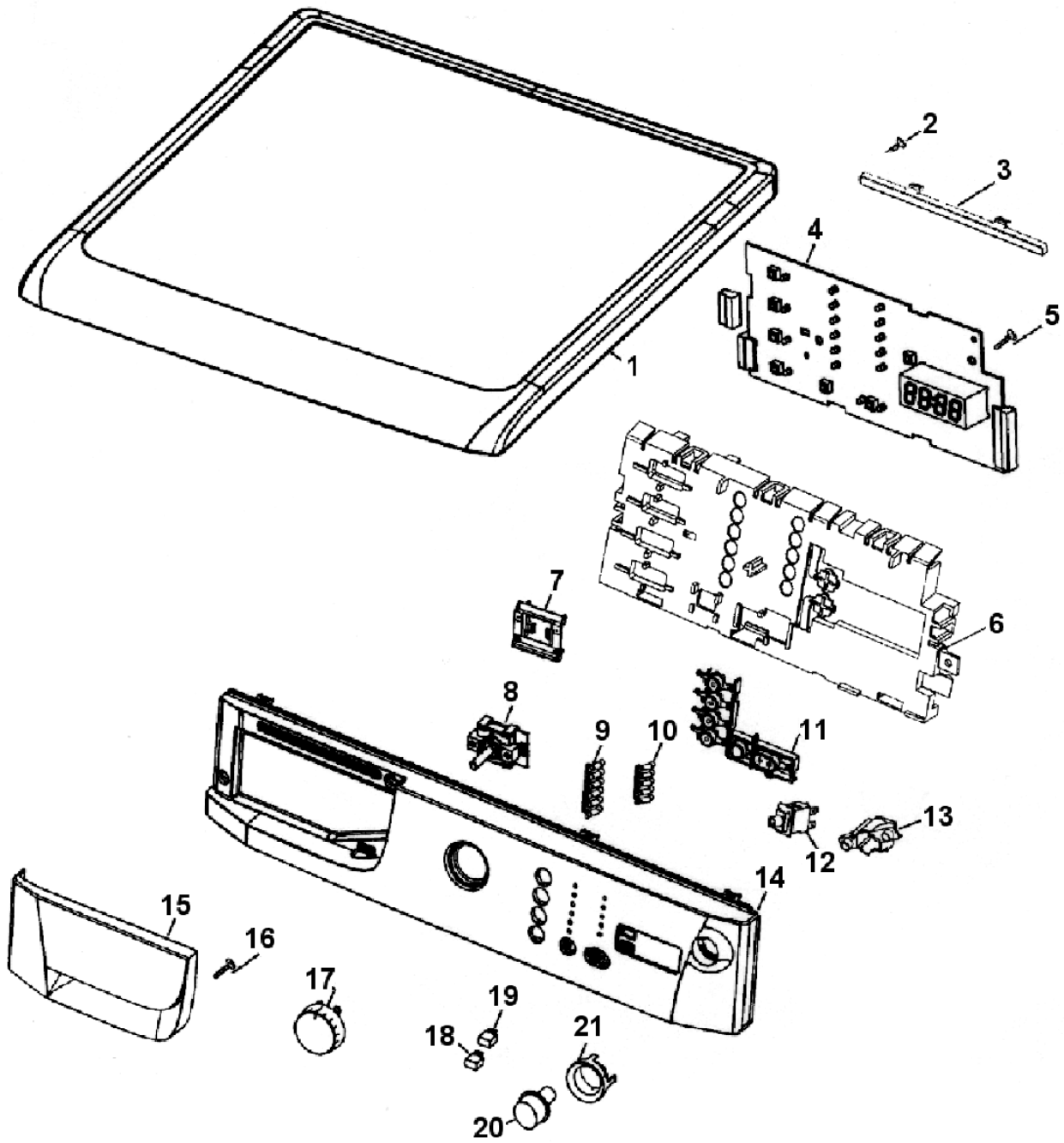
| REF | PART   | DESCRIPTION                    |
|-----|--------|--------------------------------|
| 1   | 790438 | CABINET ASSEMBLY               |
| 2   | 790306 | FOOT ADJUSTABLE ASSEMBLY       |
| 3   | 790439 | COVER REAR                     |
| 4   | 790379 | SCREW 4.5x12                   |
| 5   | 790372 | HOLDER DISCHARGE HOSE          |
| 6   | 790311 | HOLDER SPRING                  |
| 7   | 790371 | FIXER                          |
| 8   | 790373 | HOLDER FRONT PANEL             |
| 9   | 790374 | SCREW 4.2x9.5                  |
| 10  | 790481 | MANUAL USERS                   |
| 11  | 790307 | LOCK TRANSPORT REAR            |
| 12  | 790308 | CAP COVER REAR                 |
| NI  | 790466 | SOUND DEADENING PANEL LH or RH |
| NI  | 790465 | SOUND DEADENING PANEL FRONT    |
| NI  | 790425 | BEAM UPPER                     |



## DOOR AREA

| REF | PART   | DESCRIPTION                |
|-----|--------|----------------------------|
| 1   | 790462 | PANEL CABINET FRONT        |
| 2   | 790309 | SCREW B4.2x13 DIN 7981-H   |
| 3   | 790374 | SCREW 4.2x9.5              |
| 4   | 790371 | FIXER                      |
| 5   | 790467 | BUSHING HINGE              |
| 6   | 790444 | HINGE ASSEMBLY             |
| 7   | 790365 | KICKPLATE                  |
| 8   | 790445 | HOLDER HINGE               |
| 9   | 790312 | BOLT AM5x10 DIN 7985 4.8-H |
| 10  | 790358 | CLAMP CABINET BELLOWS      |
| 11  | 790398 | COVER KICKPLATE            |
| 12  | 790379 | SCREW 4.5x12               |
| 13  | 790442 | GLASS PORTHOLE             |
| 14  | 790459 | SPRING HOOK                |
| 15  | 790363 | HOOK DOOR LOCK             |
| 16  | 790364 | PIN DOOR LOCK              |
| 17  | 790440 | HANDLE                     |
| 18  | 790443 | COVER DOOR INNER           |
| 19  | 790458 | COVER DOOR OUTER           |
| 20  | 790441 | DOOR ASSEMBLY              |

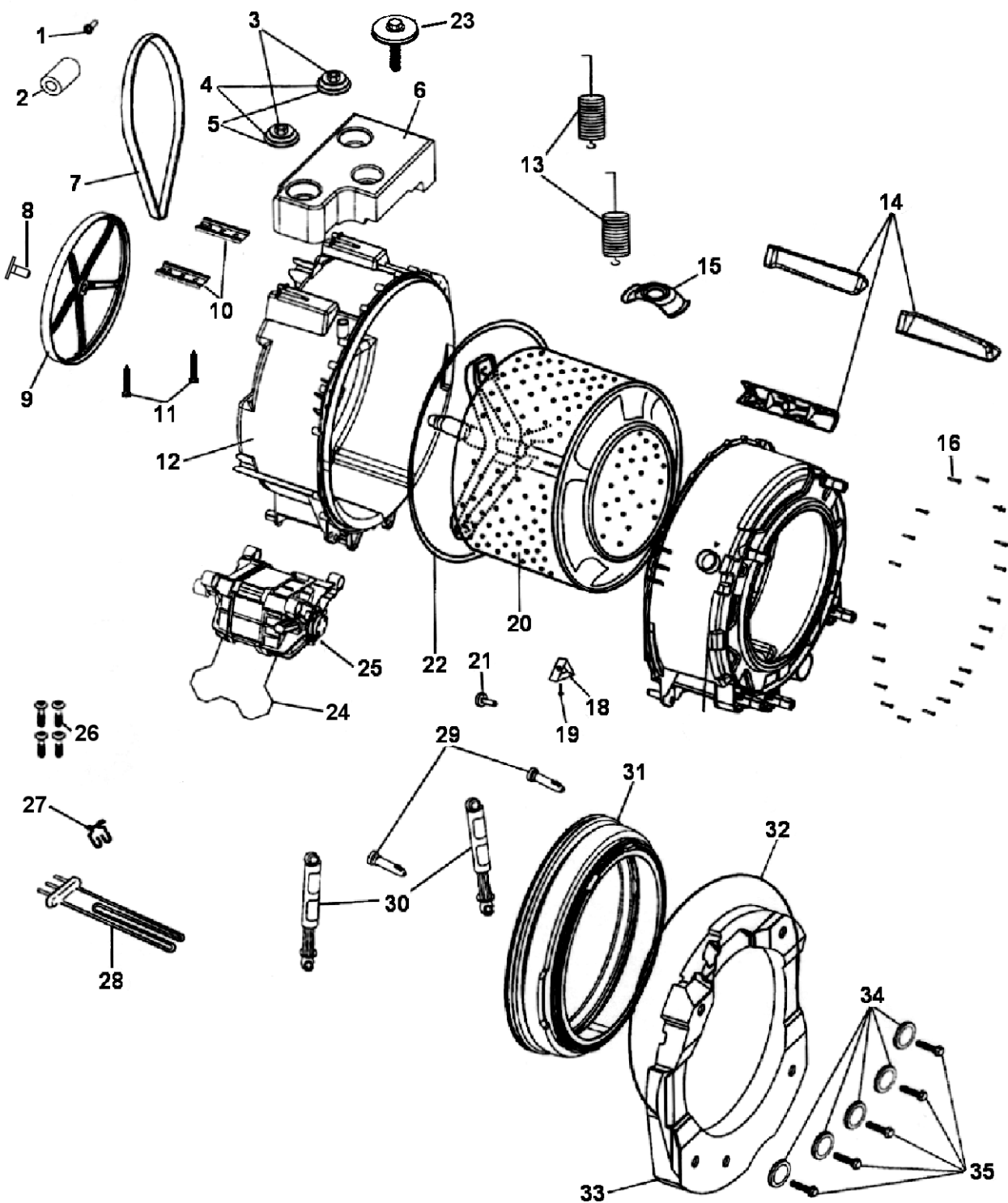
## CONTROL PANEL AREA



## CONTROL PANEL AREA

| REF | PART   | DESCRIPTION                  |
|-----|--------|------------------------------|
| 1   | 790437 | PANEL TOP ASSEMBLY           |
| 2   | 790340 | SCREW 4x14                   |
| 3   | 790412 | COVER PROGRAMME CARD         |
| 4   | 790383 | BOARD DISPLAY                |
| 5   | 790384 | SCREW 3.5x10                 |
| 6   | 790484 | HOLDER DISPLAY BOARD         |
| 7   | 790429 | SWITCH SELECTOR              |
| 8   | 790378 | SWITCH PROGRAMME SELECTION   |
| 9   | 790396 | PIPE 6 LIGHT                 |
| 10  | 790395 | PIPE 5 LIGHT                 |
| 11  | 790359 | BUTTON FUNCTION ASSEMBLY     |
| 12  | 790436 | SWITCH PUSH BUTTON           |
| 13  | 790485 | CONNECTOR ON/OFF SWITCH      |
| 14  | 790494 | PANEL CONTROL                |
| 15  | 790356 | COVER FRONT DETERGENT DRAWER |
| 16  | 790390 | SCREW 4x10                   |
| 17  | 790382 | KNOB PROGRAMME SELECTION     |
| 18  | 790409 | BUTTON TIME ADJUSTING BOTTOM |
| 19  | 790408 | BUTTON TIME ADJUSTING TOP    |
| 20  | 790482 | BUTTON ON/OFF                |
| 21  | 790427 | RING ON/OFF SWITCH           |
| NI  | 790483 | ADAPTOR SELECT KNOB          |

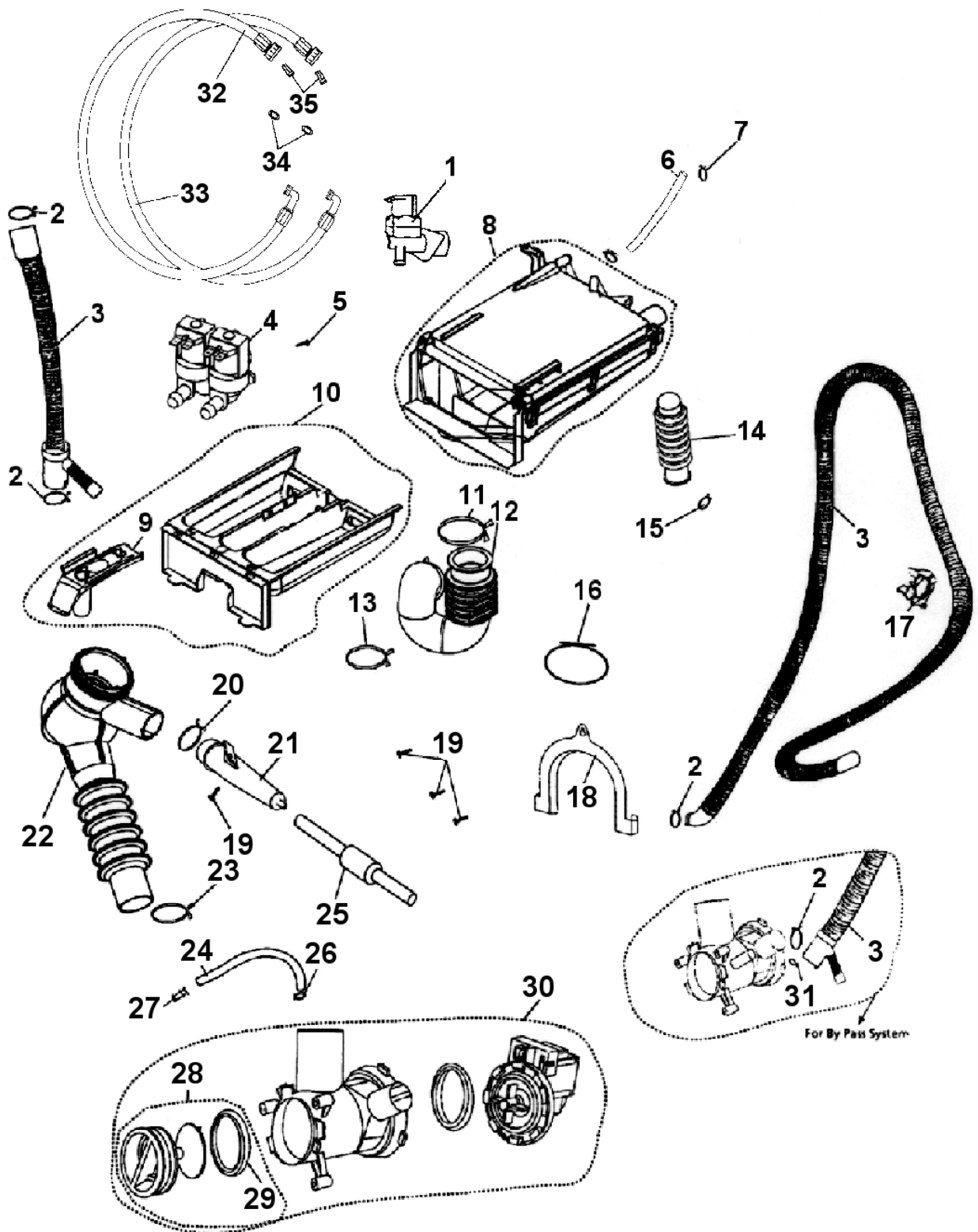
## DRUM AREA



## DRUM AREA

| REF | PART   | DESCRIPTION                     |
|-----|--------|---------------------------------|
| 1   | 790413 | SCREW 4x10                      |
| 2   | 790400 | CUSHION RUBBER                  |
| 3   | 790406 | NUT HEX WITH COLLAR             |
| 4   | 790401 | WASHER COUNTERWEIGHT            |
| 5   | 790407 | WASHER FIXING                   |
| 6   | 790446 | COUNTERWEIGHT UPPER             |
| 7   | 790449 | BELT ELASTIC POLY-V             |
| 8   | 790322 | BOLT PULLEY                     |
| 9   | 790321 | PULLEY                          |
| 10  | 790315 | BRACKET UPPER COUNTERWEIGHT     |
| 11  | 790405 | BOLT UPPER COUNTERWEIGHT        |
| 12  | 790469 | TUB REAR                        |
| 13  | 790448 | SPRING SUSPENSION               |
| 14  | 790386 | BAFFLE                          |
| 15  | 790422 | SPRING COMPRESSION              |
| 16  | 790397 | SCREW TUB                       |
| 17  | 790468 | TUB FRONT                       |
| 18  | 790387 | NUT BAFFLE                      |
| 19  | 790389 | BOLT M6x20 DIN 966 SP 1.4016    |
| 20  | 790447 | DRUM ASSEMBLY                   |
| 21  | 790388 | BOLT M8x40 DIN 933 Z1 SP 1.4016 |
| 22  | 790317 | GASKET TUB                      |
| 23  | 790420 | BOLT TOP COUNTERWEIGHT          |
| 24  | 790470 | COVER PROTECTIVE MOTOR          |
| 25  | 790450 | MOTOR                           |
| 26  | 790324 | NUT MOTOR CONNECTION            |
| 27  | 790328 | SUPPORT HEATER                  |
| 28  | 790326 | HEATER                          |
| 29  | 790329 | PIN SHOCK ABSORBER              |
| 30  | 790451 | ABSORBER SHOCK                  |
| 31  | 790319 | HOOD DOOR RUBBER                |
| 32  | 790320 | CLAMP DOOR HOOD                 |
| 33  | 790454 | COUNTERWEIGHT FRONT             |
| 34  | 790414 | WASHER FIXING                   |
| 35  | 790415 | SCREW FRONT COUNTERWEIGHT       |
| NI  | 790432 | BOLT SPECIAL                    |
| NI  | 790474 | CARBON BRUSH SET MOTOR          |
| NI  | 790472 | COIL MOTOR KIT                  |

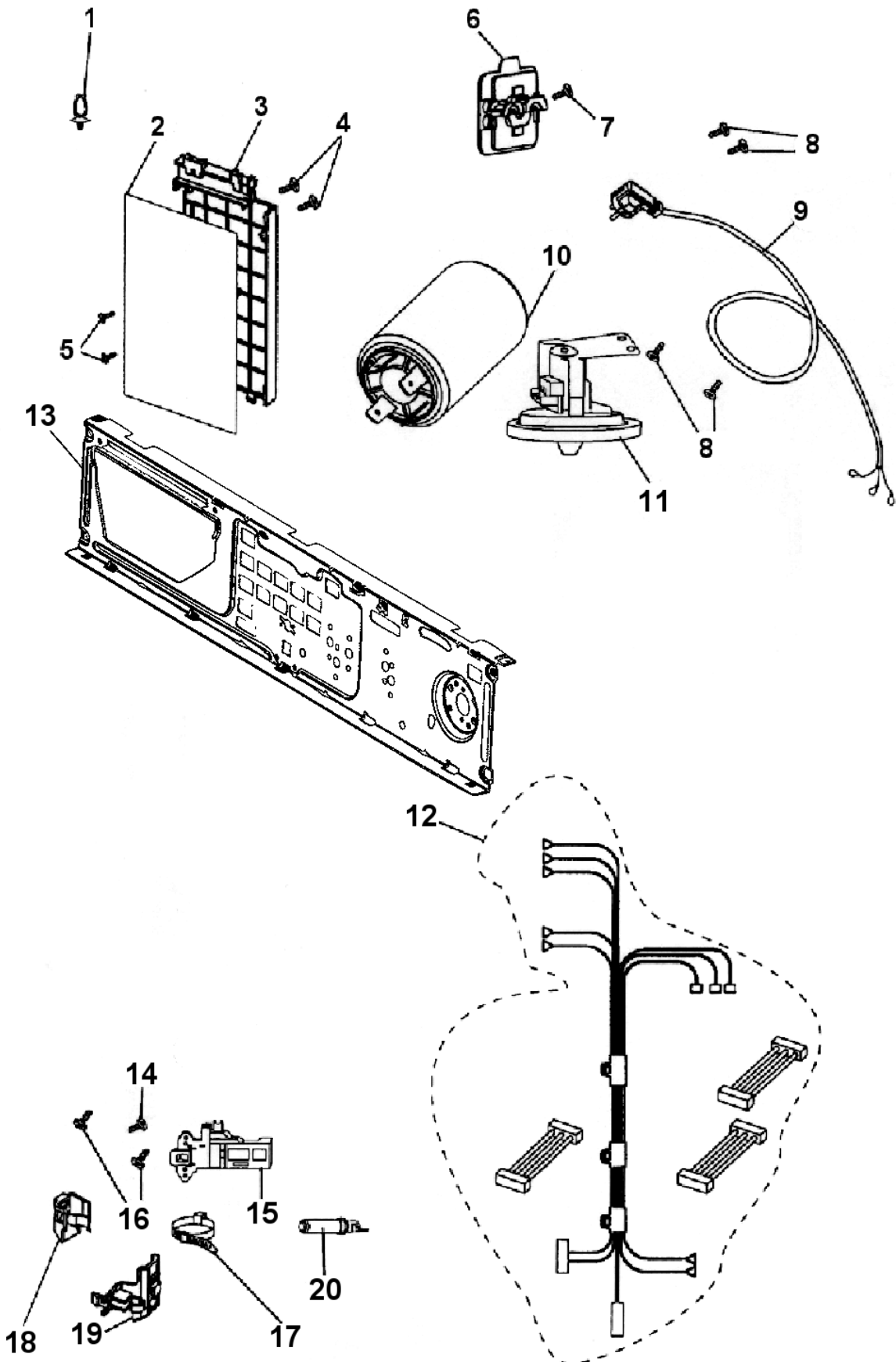
# WATER CIRCULATION AREA



## WATER CIRCULATION AREA

| REF | PART   | DESCRIPTION                  |
|-----|--------|------------------------------|
| 1   | 790421 | VALVE WATER INLET SINGLE     |
| 2   | 790375 | CLAMP HOSE 28.7              |
| 3   | 790461 | HOSE DISCHARGE ASSEMBLY      |
| 4   | 790418 | VALVE WATER INLET DOUBLE     |
| 5   | 790340 | SCREW 4x14                   |
| 6   | 790453 | HOSE DISPENSER               |
|     | 790463 | HOSE DISPENSER               |
|     | 790464 | HOSE DISPENSER               |
| 7   | 790339 | CLAMP HOSE 15.88             |
| 8   | 790343 | DISPENSER DETERGENT ASSEMBLY |
| 9   | 790331 | SIPHON                       |
| 10  | 790360 | DRAWER DETERGENT ASSEMBLY    |
| 11  | 790367 | CLAMP HOSE 49.8              |
| 12  | 790337 | HOSE TUB INLET               |
| 13  | 790403 | CLAMP HOSE                   |
| 14  | 790460 | HOSE STEAM DISCHARGE         |
| 15  | 790452 | CLAMP HOSE                   |
| 16  | 790334 | CLAMP HOSE                   |
| 17  | 790330 | HOLDER HOSE                  |
| 18  | 790338 | ELBOW DRAIN HOSE             |
| 19  | 790390 | SCREW 4x10                   |
| 20  | 790335 | CLAMP HOSE                   |
| 21  | 790333 | PIPE AIR                     |
| 22  | 790336 | HOSE TUB TO FILTER           |
| 23  | 790341 | CLAMP HOSE                   |
| 24  | 790381 | HOSE EMERGENCY DRAIN         |
| 25  | 790332 | HOSE AIR PIPE                |
| 26  | 790380 | CLAMP HOSE                   |
| 27  | 790404 | STOPPER HOSE                 |
| 28  | 790391 | FILTER ASSEMBLY              |
| 29  | 790342 | SEAL PUMP FILTER             |
| 30  | 790355 | PUMP DRAIN ASSEMBLY          |
| 31  | 790392 | CLAMP HOSE                   |
| 32  | 790417 | HOSE INLET COLD              |
| 33  | 790419 | HOSE INLET HOT               |
| 34  | 790424 | SEAL INLET HOSE              |
| 35  | 790348 | FILTER INLET HOSE            |

# ELECTRICAL AREA



## ELECTRICAL AREA

| REF | PART   | DESCRIPTION                |
|-----|--------|----------------------------|
| 1   | 790385 | HOLDER CABLE SELF LOCKING  |
| 2   | 790486 | BOARD MAIN ASSEMBLY        |
| 3   | 790393 | HOLDER ASSEMBLY MAIN BOARD |
| 4   | 790340 | SCREW 4x14                 |
| 5   | 790384 | SCREW 3.5x10               |
| 6   | 790347 | BODY TERMINAL BOX          |
| 7   | 790390 | SCREW 4x10                 |
| 8   | 790374 | SCREW 4.2x9.5              |
| 9   | 790350 | CABLE MAINS                |
| 10  | 790455 | SUPRESSOR INTERFERENCE     |
| 11  | 790351 | SWITCH PRESSURE            |
| 12  | 790456 | HARNESS MAIN CABLE         |
| 13  | 790434 | BRACKET BUTTON SUPPORT     |
| 14  | 790399 | SCREW                      |
| 15  | 790304 | SWITCH DOOR                |
| 16  | 790379 | SCREW 4.5x12               |
| 17  | 790310 | CLAMP PLASTIC              |
| 18  | 790377 | HOLDER CABLE               |
| 19  | 790423 | HOLDER CABLE               |
| 20  | 790352 | SENSOR NTC                 |
| NI  | 790471 | HOLDER MODULE DC           |
| NI  | 790473 | MODULE DC                  |