

Parts Manual

Front Loading Washing Machine

Model:
WH70F60W 2 FP AA

Product Code:
98710



care

PRODUCT

Brand Fisher & Paykel
Voltage 220-240V 50Hz
Model WH70F60W 2 FP AA
Product Code 98710

Fisher & Paykel Customer Services Pty Ltd

PO Box 798, Cleveland, QLD 4163

A.C.N. 003 3335 171

19 Enterprise Street

Cleveland, QLD 4163

Australia

Telephone: (07) 3826 9100

Facsimile: (07) 3826 9164

E-mail: customer.care@fp.com.au

CONTENTS

CABINET AREA	6
CABINET INSULATION	8
DOOR AREA.....	10
FRONT PANEL AREA	12
CONTROL PANEL AREA	14
DRUM AREA.....	16
WATER CIRCULATION AREA	18
ELECTRICAL AREA	20

GUIDE TO USING THIS MANUAL

The model covered by this manual is listed on the front cover.

The information detailed in this manual is subject to change without notice. The latest version is indicated by the reprint date and replaces any earlier editions.

The front cover picture shows the type of product and may not necessarily be an exact image of the model covered by the manual.

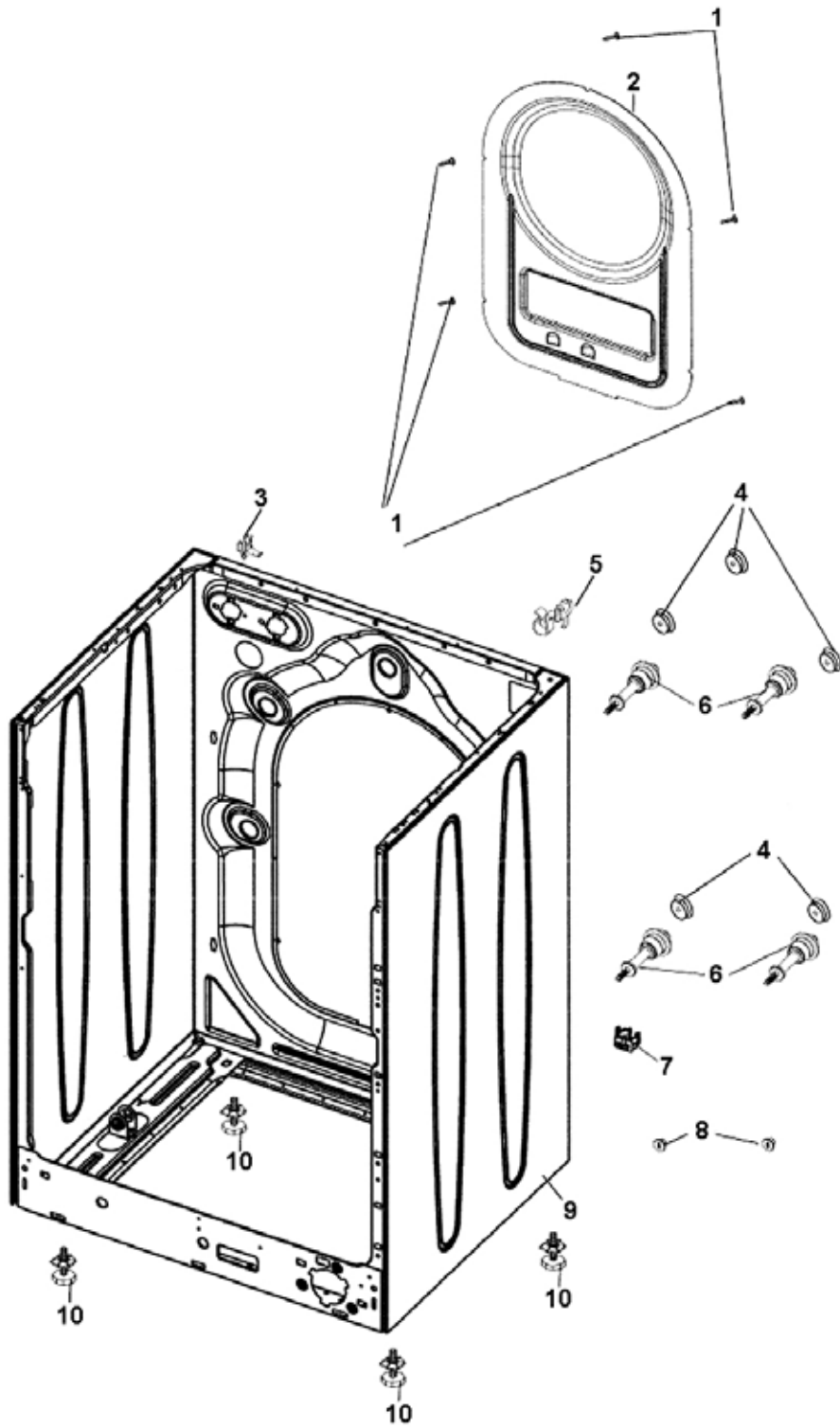
Kit Parts

The components shown in *italics with a part number* are those parts in the kit which are available also as separate items. In addition, some parts may be supplied with this kit which are not available as separate items and are therefore either not listed or a part number is not shown against the part description in this manual.

Parts List Key

NOT USED	As a part, indicates the diagram part reference is not used in this manual.
<i>italics</i>	Kit components or parts included are shown in <i>italics</i> . Refer to above notes: Kit Parts
NI	As a part reference, indicates the part is not illustrated on the diagram.

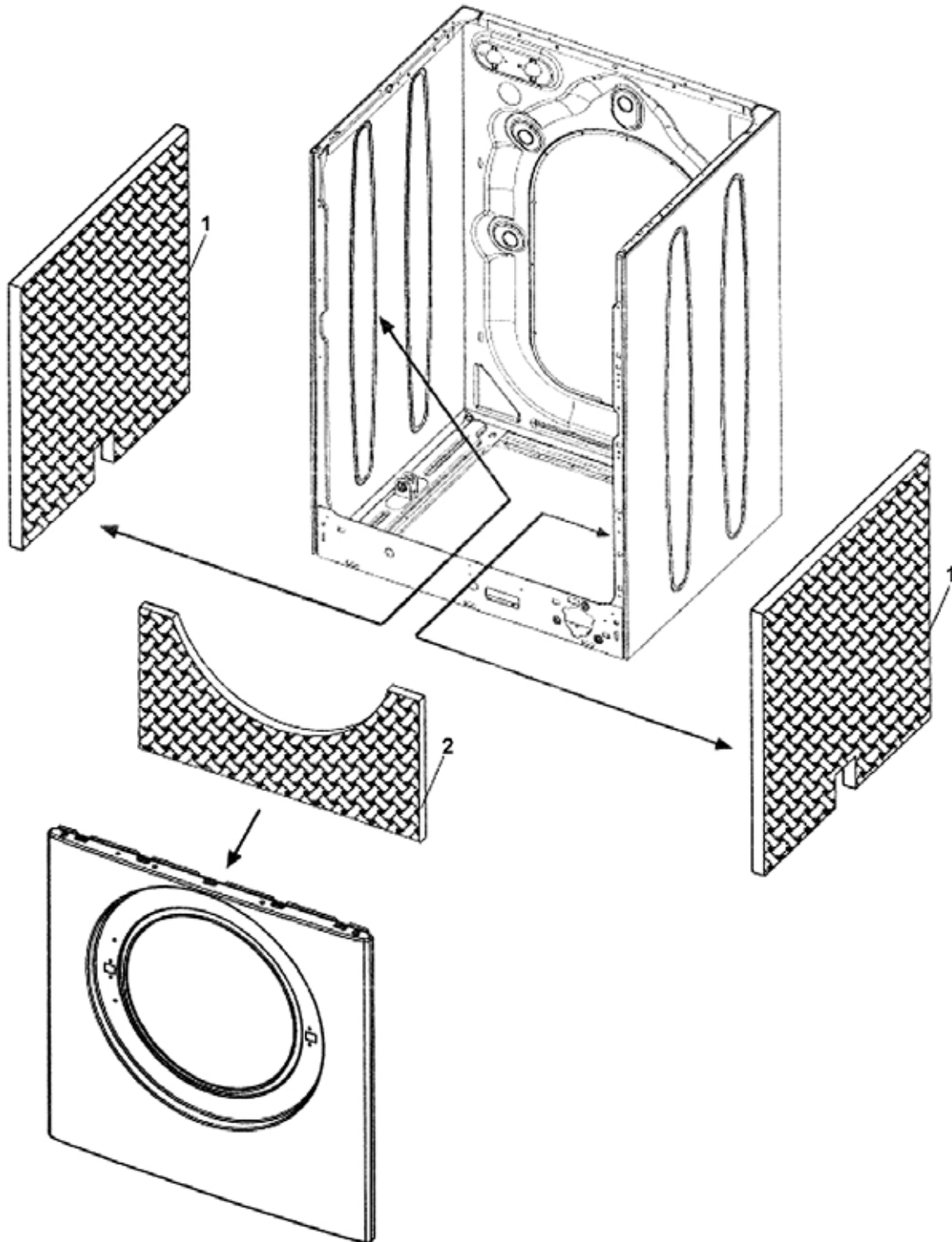
CABINET AREA



CABINET AREA

REF	PART	DESCRIPTION
1	790399	SCREW
2	790711	COVER REAR
3	790764	HOLDER SPRING
4	790308	CAP COVER REAR
5	790765	HOLDER SPRING
6	790307	LOCK TRANSPORT REAR WH70
7	790747	HOLDER DISCHARGE HOSE
8	790373	HOLDER FRONT PANEL
9	790710	CABINET WH70
10	790717	FOOT ADJUSTABLE ASSY
NI	790746	RUBBER FOOT

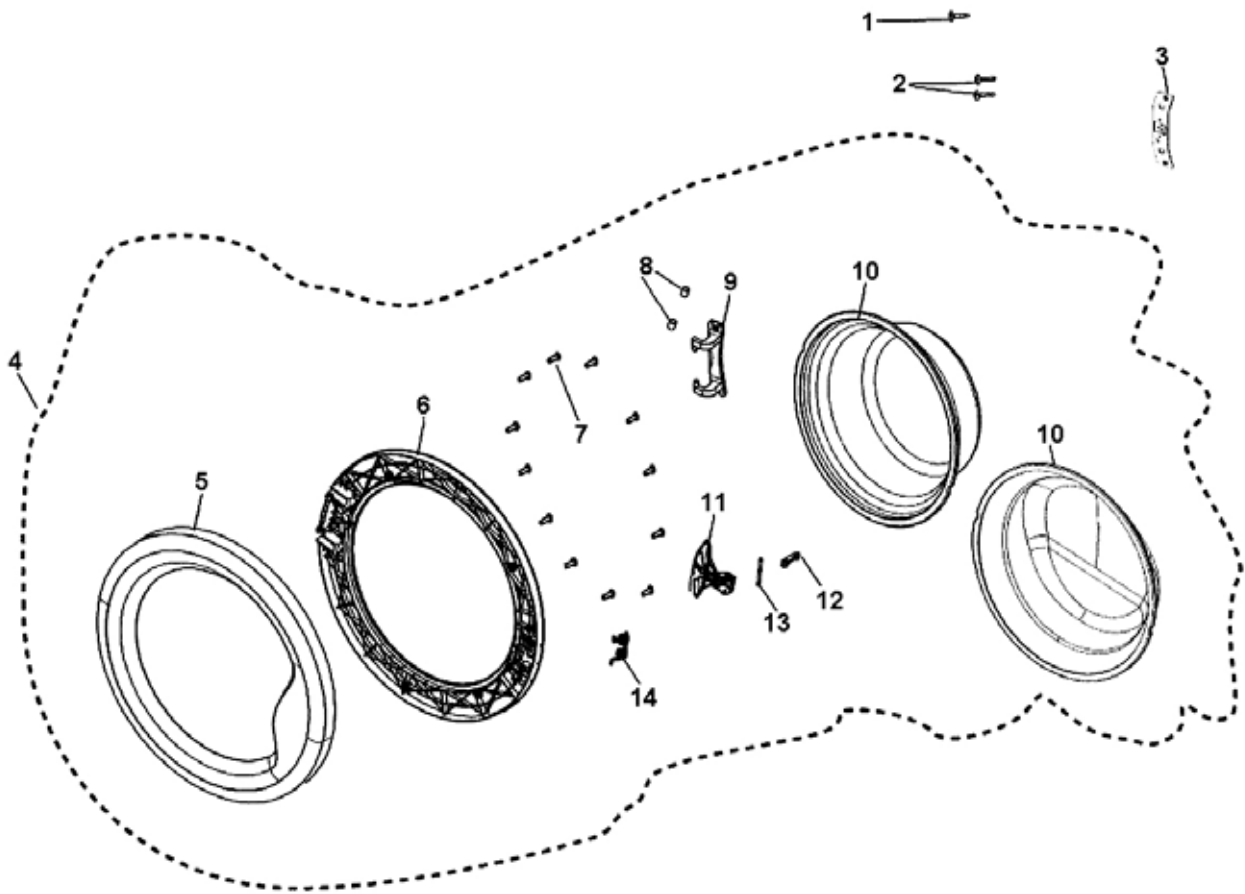
CABINET INSULATION



CABINET INSULATION

REF	PART	DESCRIPTION
1	790753	PANEL SIDE SOUND DEADEN WH70
2	790465	PANEL FRONT SOUND DEADEN WH70F

DOOR AREA

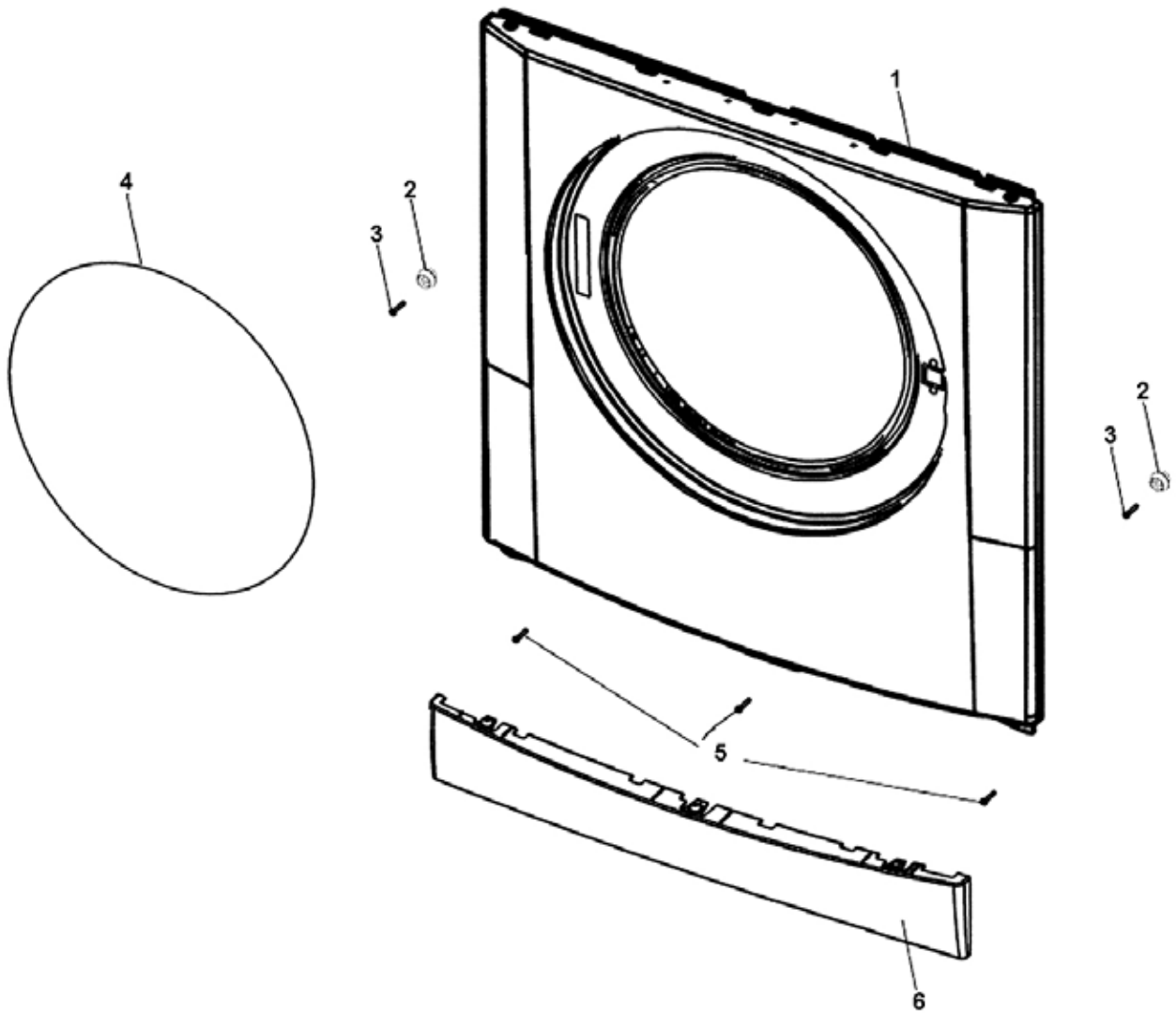


DWG001454 14 APRIL 2008

DOOR AREA

REF	PART	DESCRIPTION
1	790374	SCREW 4.2X9.5
2	790312	BOLT AM5X10 DIN 7985 4.8-H
3	790445	SUPPORT HINGE MOUNT WH60/70
4	790712	DOOR ASSEMBLY WH70
5	790743	COVER DOOR OUTER
6	790714	COVER DOOR INNER
7	790340	SCREW 4X14
8	790467	BUSH HINGE DOOR WH70/60F
9	790716	HINGE DOOR
10	790713	PORTHOLE DOOR WH70
11	790440	HANDLE DOOR WH60/70
12	790363	HOOK DOOR LOCK
13	790364	PIN DOOR LOCK
14	790459	SPRING DOOR LATCH WH70/60F

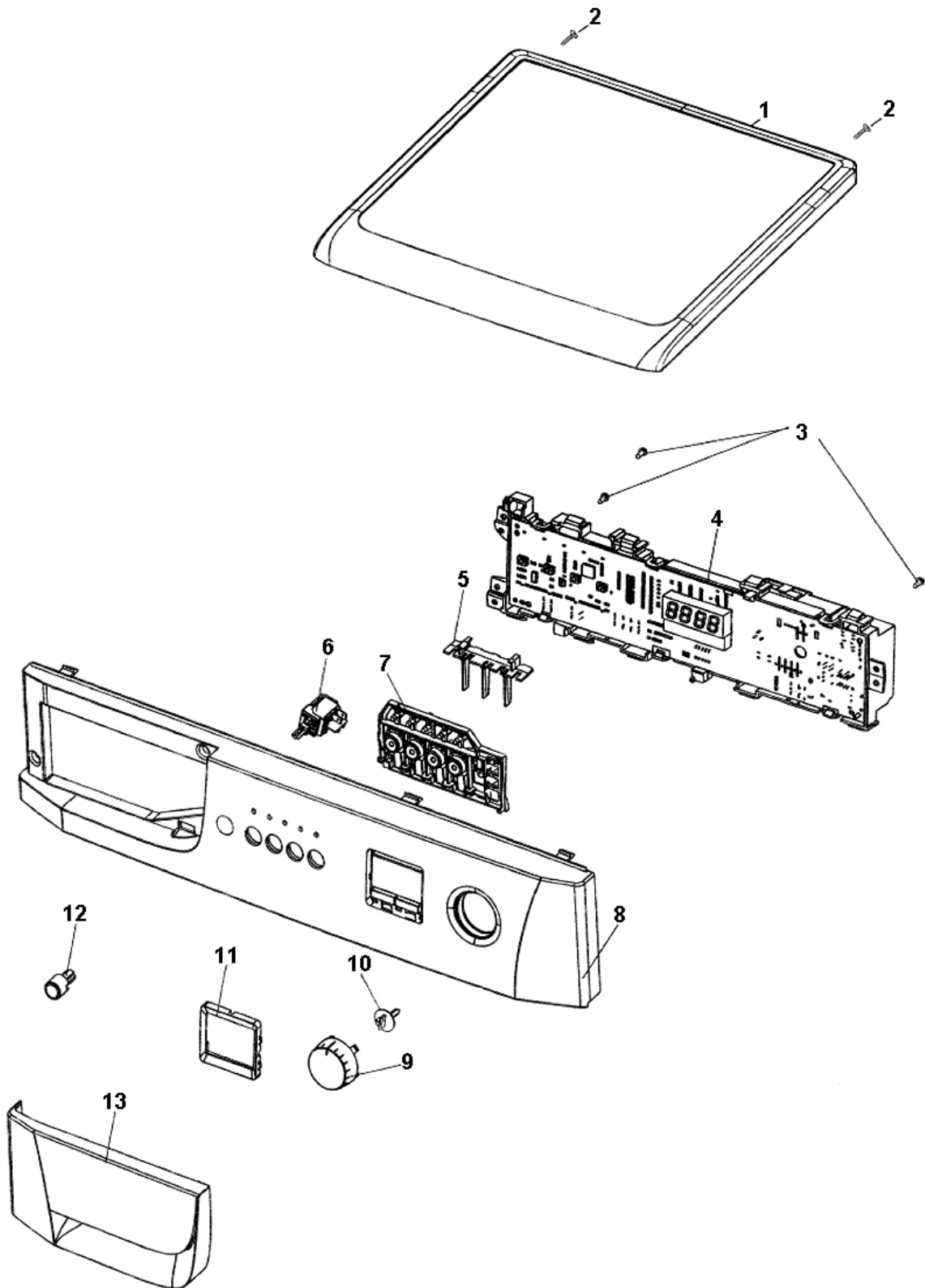
FRONT PANEL AREA



FRONT PANEL AREA

REF	PART	DESCRIPTION
1	790462	PANEL CABINET FRONT WH70/60F
2	790371	HOLDER MODULE DC WH70F
3	790309	SCREW B4.2X13 DIN 7981-H
4	790358	CLAMP CABINET BELLOWS
5	790399	SCREW
6	790744	COVER KICKPLATE

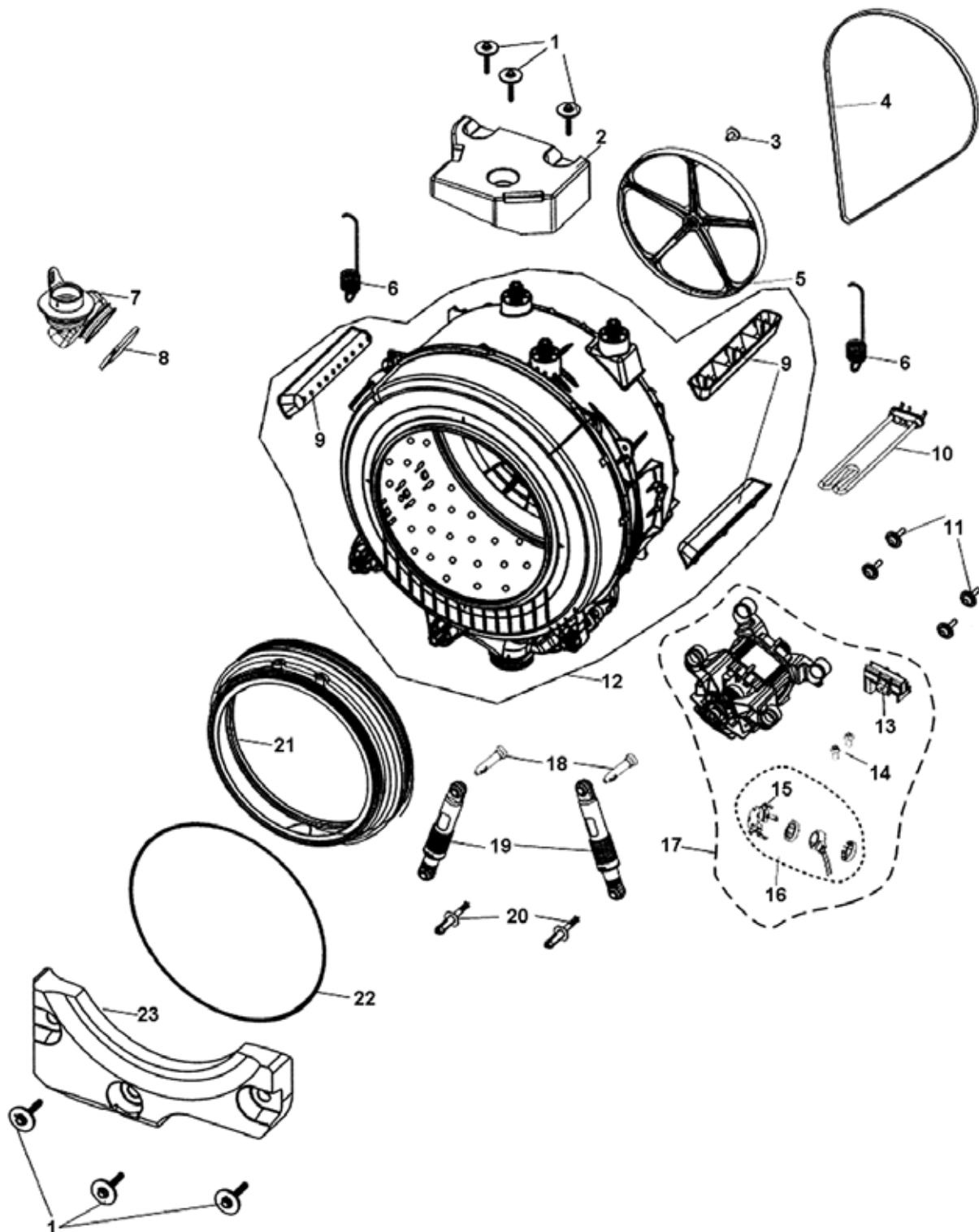
CONTROL PANEL AREA



CONTROL PANEL AREA

REF	PART	DESCRIPTION
1	790699	PANEL CABINET TOP WH70
2	790340	SCREW 4X14
3	790384	SCREW 3.5X10
4	790738	BOARD DISPLAY WH70
5	790750	REFLECTOR
6	790436	SWITCH PUSH TO START WH70/60F
7	790771	BUTTONS FUNCTION ASSY
8	790741	PANEL CONTROL WH70
9	790740	KNOB TIMER
10	790757	SHAFT TIMER KNOB
11	790758	FRAME GLASS
12	790748	BUTTON ON/OFF
13	790356	COVER FRONT DETERGENT DRAWER
NI	790718	MANUAL USE & CARE WH70/60

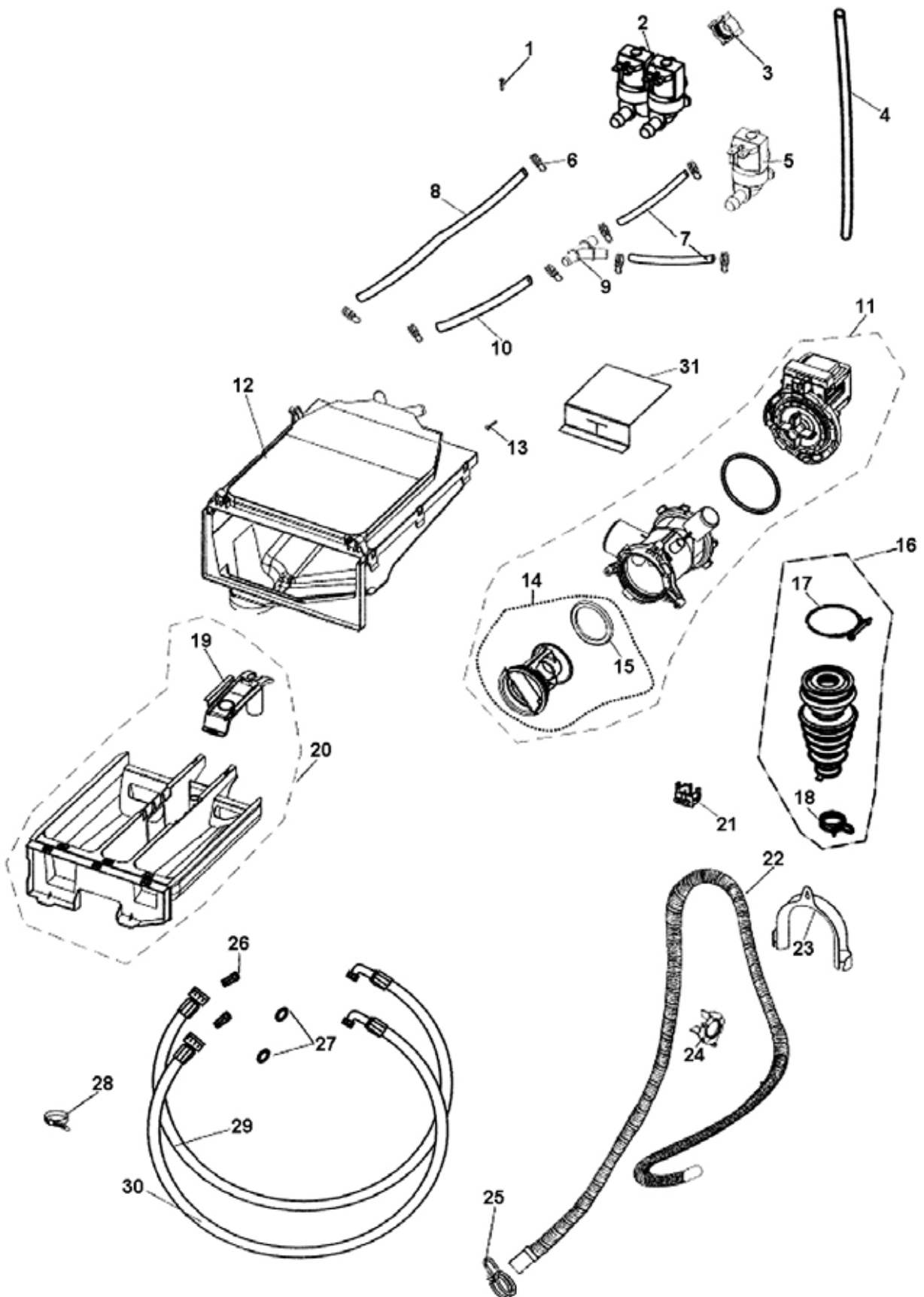
DRUM AREA



DRUM AREA

REF	PART	DESCRIPTION
1	790727	BOLT COUNTERWEIGHT
2	790719	COUNTERWEIGHT UPPER WH70
3	790322	BOLT PULLEY
4	790723	BELT POLY-V
5	790722	PULLEY
6	790720	SPRING SUSPENSION WH70
7	790731	HOSE TUB INLET
8	790759	CLAMP PLASTIC
9	790751	BAFFLE DRUM
10	790769	HEATER ASSY
11	790724	SCREW MOTOR MOUNTING
12	790767	TUB WELDED ASSY WH70
13	790474	BRUSH CARBON MOTOR (L24MF7)
14	790476	SCREW MOTOR BUSH TAPTITE M4X10
15	790475	COVER TACHOMETER
16	790755	TACHOMETER WH70
17	790725	MOTOR WH70
18	790329	PIN SHOCK ABSORBER TOP
19	790726	SHOCK ABSORBER
20	790775	PIN SHOCK ABSORBER BOTTOM
21	790721	BELLOWS DOOR WH70
22	790320	CLAMP DOOR BELLOWS
23	790734	COUNTERWEIGHT LOWER WH70
NI	790772	FLAP CHASSIS

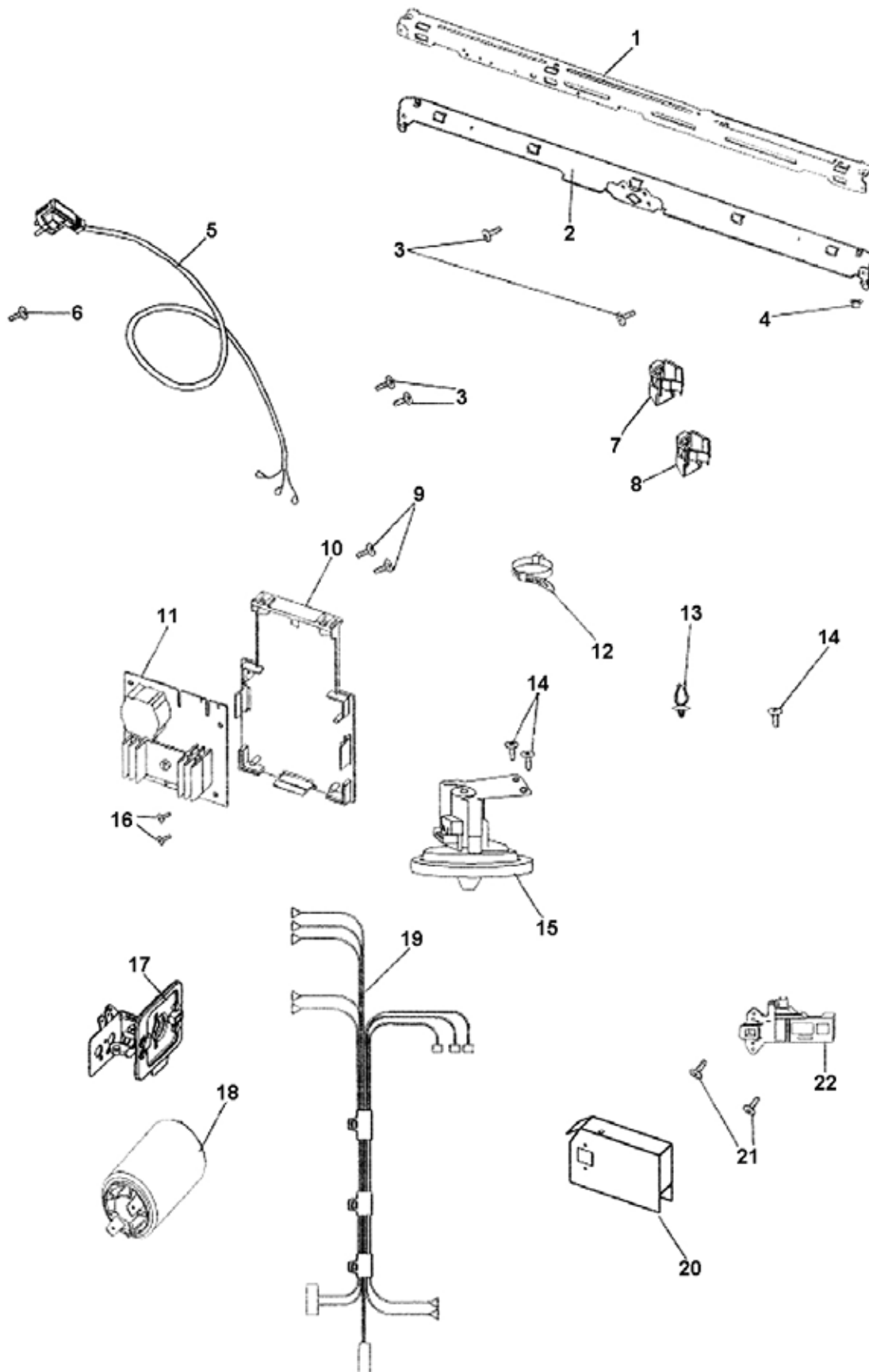
WATER CIRCULATION AREA



WATER CIRCULATION AREA

REF	PART	DESCRIPTION
1	790374	SCREW 4.2X9.5
2	790418	VALVE INLET COLD DOUBLE
3	790754	CAP BLANKING VALVE
4	790729	HOSE AIR PIPE
5	790732	VALVE INLET SINGLE
6	790768	CLAMP HOSE 14.8
7	790761	HOSE DISPENSER SHORT WH70
8	790760	HOSE DISPENSER LONG WH70
9	790766	Y JUNCTION HOSE
10	790773	HOSE DISPENSER
11	790739	PUMP ASSY WH60/70
12	790733	DISPENSER DETERGENT ASSY
13	790340	SCREW 4X14
14	790752	FILTER ASSY PUMP
15	790342	SEAL PUMP FILTER
16	790762	HOSE TUB OUTLET ASSY
17	790730	CLAMP HOSE
18	790341	CLAMP HOSE
19	790728	SIPHON DRAWER
20	790742	DRAWER DETERGENT ASSY
21	790747	HOLDER DISCHARGE HOSE
22	790745	HOSE DISCHARGE
23	790338	ELBOW DRAIN HOSE
24	790330	HOLDER HOSE
25	790375	CLAMP HOSE 28.7
26	790348	FILTER INLET HOSE
27	790424	SEAL INLET HOSE
28	790310	CLAMP PLASTIC
29	790417	HOSE INLET COLD AWF60
30	790419	HOSE INLET HOT AWF60
31	790763	COVER PUMP

ELECTRICAL AREA



ELECTRICAL AREA

REF	PART	DESCRIPTION
1	790756	BRACKET PANEL SUPPORT
2	790774	BRACKET BOTTOM SUPPORT
3	790374	SCREW 4.2X9.5
4	790373	HOLDER FRONT PANEL
5	790350	CABLE MAINS
6	790390	SCREW 4X10
7	790749	HOLDER CABLE
8	790423	HOLDER CABLE
9	790340	SCREW 4X14
10	790471	HOLDER MODULE DC WH70F
11	790473	MODULE DC UNIT WH70F
12	790310	CLAMP PLASTIC
13	790385	HOLDER CABLE SELF LOCKING
14	790399	SCREW
15	790737	SWITCH PRESSURE WH60/70
16	790384	SCREW 3.5X10
17	790776	TERMINAL BLOCK MAINS
18	790735	SUPPRESSOR INTERFERENCE
19	790736	HARNESS MAIN CABLE
20	790477	PROTECTION MOISTURE DOOR LOCK
21	790379	SCREW 4.5X12
22	790715	LOCK DOOR