

Parts Manual

Front Loading Washing Machine

Model:
WH80F60W 2 FP AA

Product Code:
98723



care

PRODUCT

Brand Fisher & Paykel
Voltage 220-240V 50Hz
Model WH80F60W 2 FP AA
Product Code 98723

Fisher & Paykel Appliances Ltd
78 Springs Road, East Tamaki
Manukau 2013
PO Box 58-732, Botany
Manukau 2163
New Zealand
Telephone: 09 273 0600
Facsimile: 09 273 0656

Fisher & Paykel Customer Services Pty Ltd
PO Box 798, Cleveland, QLD 4163
A.C.N. 003 3335 171
19 Enterprise Street
Cleveland, QLD 4163
Australia
Telephone: (07) 3826 9100
Facsimile: (07) 3826 9164

Fisher & Paykel Singapore Pte Ltd
150 Ubi Avenue 4
Sunlight Building #02-00
Singapore 408825
Telephone: 65 65470100
Facsimile: 65 65470123

CONTENTS

CABINET AREA 6

CABINET INSULATION 8

DOOR AREA..... 10

FRONT PANEL AREA 12

CONTROL PANEL AREA 14

DRUM AREA..... 16

WATER CIRCULATION AREA 18

ELECTRICAL AREA 20

GUIDE TO USING THIS MANUAL

The model covered by this manual is listed on the front cover.

The information detailed in this manual is subject to change without notice. The latest version is indicated by the reprint date and replaces any earlier editions.

The front cover picture shows the type of product and may not necessarily be an exact image of the model covered by the manual.

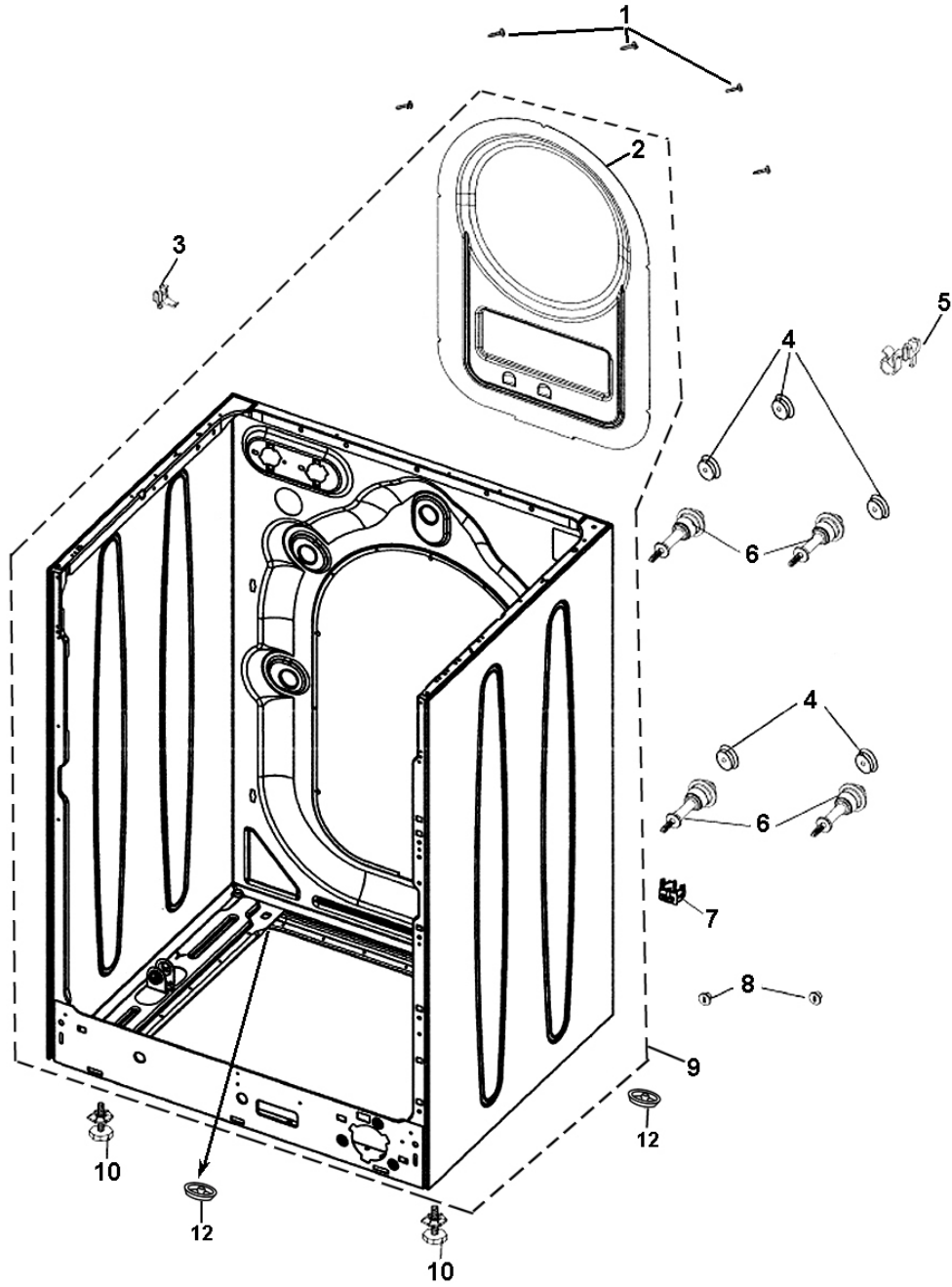
Kit Parts

Kit components are shown in *italics*. Where a part number is shown against the descriptions for these kit components, they are also available as separate items. In addition, some parts may be supplied with these kits that are not available as separate items, and are therefore either not listed, or a part number is not shown against the part description in this manual.

Parts List Key

<i>italics</i>	Kit components or parts included are shown in <i>italics</i> . Refer to above notes: Kit Parts.
NI	As a part reference, indicates the part is not illustrated on the diagram.
NOT USED	As a part number, indicates the diagram part reference is not used in this manual.

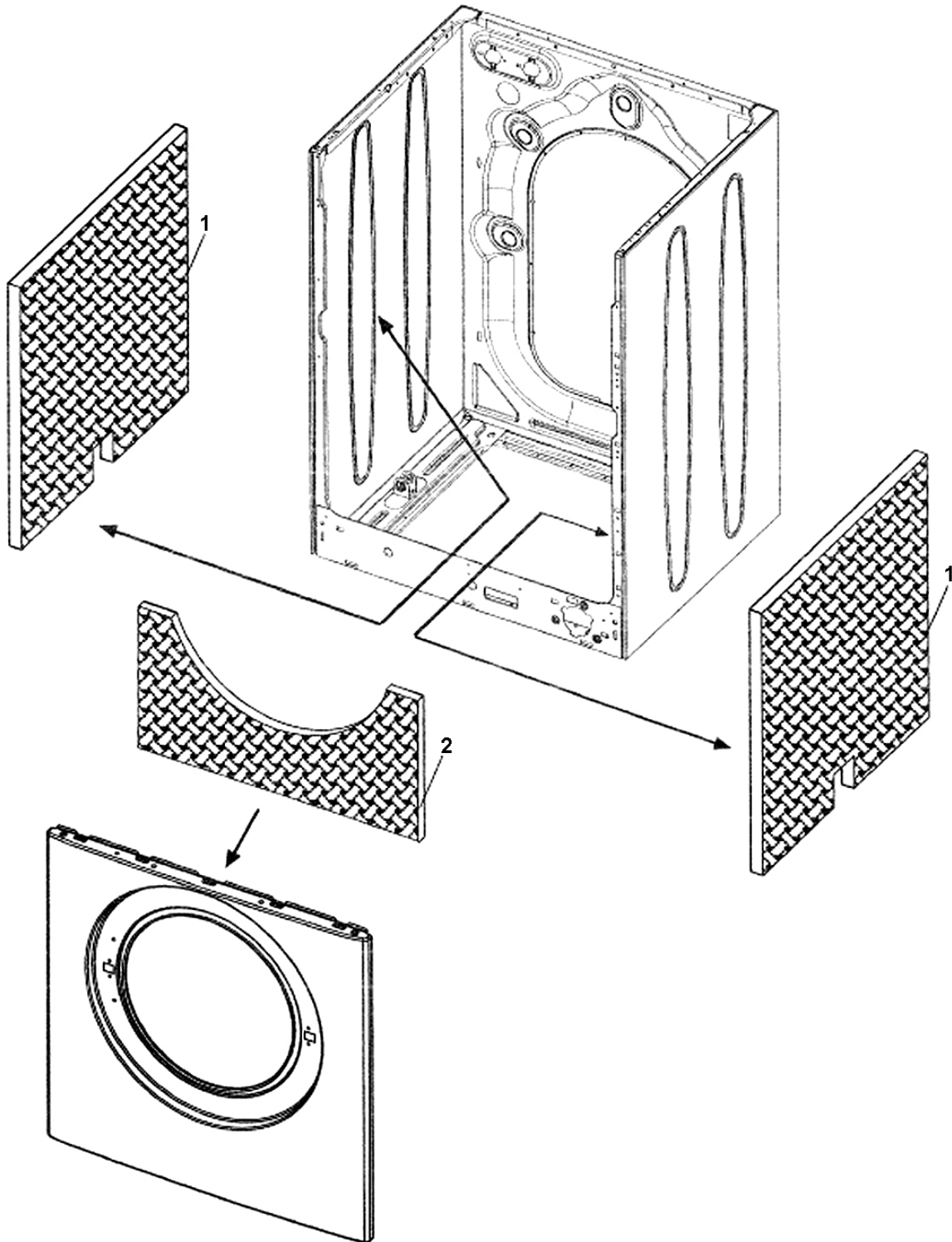
CABINET AREA



CABINET AREA

REF	PART	DESCRIPTION
1	790399	SCREW
2	790439	COVER REAR SERVICE WH70F
3	790311	HOLDER SPRING
4	790308	CAP COVER REAR
5	NOT USED	ITEM NOT USED IN THIS MODEL
6	790307	LOCK TRANSPORT REAR
7	790747	HOLDER DISCHARGE HOSE
8	790373	HOLDER FRONT PANEL
9	791817	CABINET ASSEMBLY WH80
10	790717	FOOT ADJUSTABLE ASSY
12	790746	RUBBER FOOT

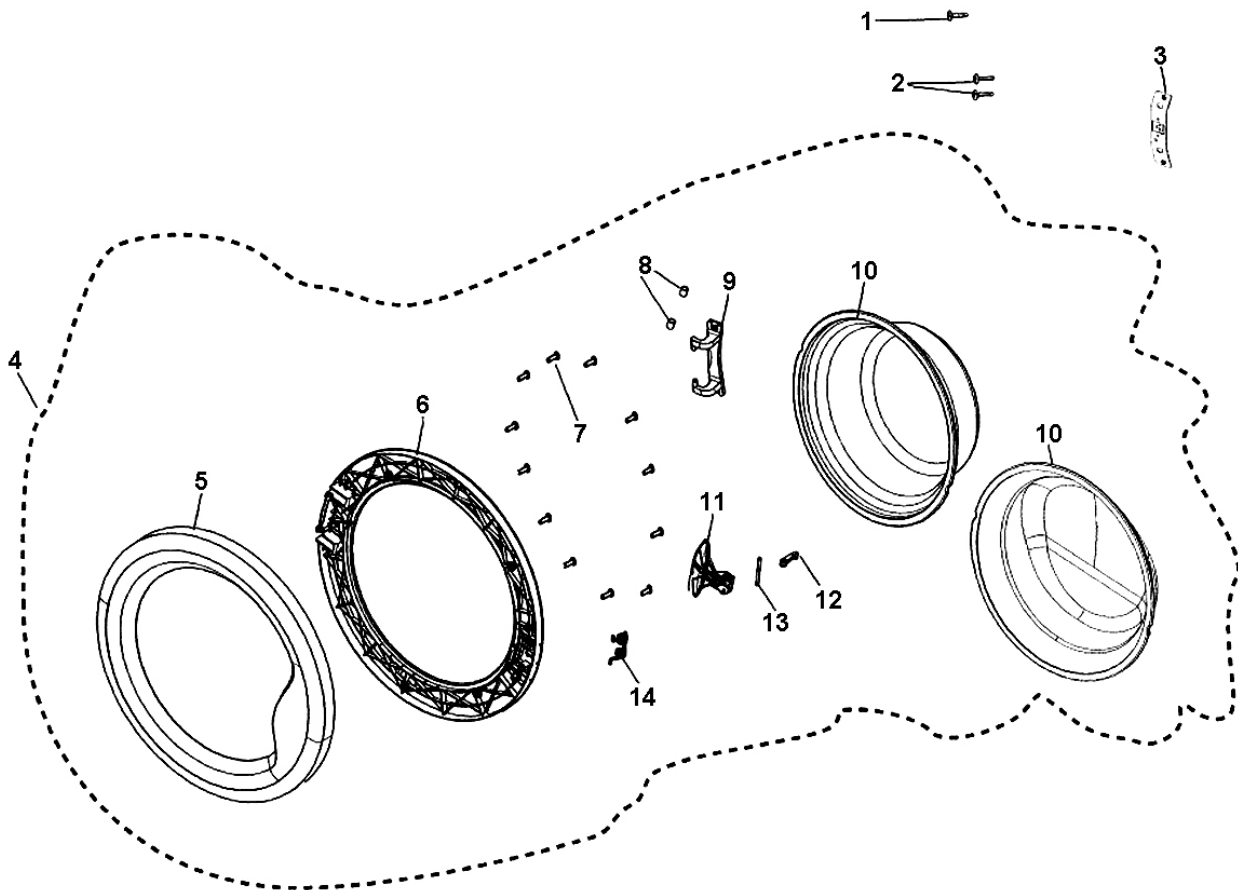
CABINET INSULATION



CABINET INSULATION

REF	PART	DESCRIPTION
1	790466	PANEL SIDE SOUND DEADEN WH70F
2	790465	PANEL FRONT SOUND DEADEN WH70F

DOOR AREA

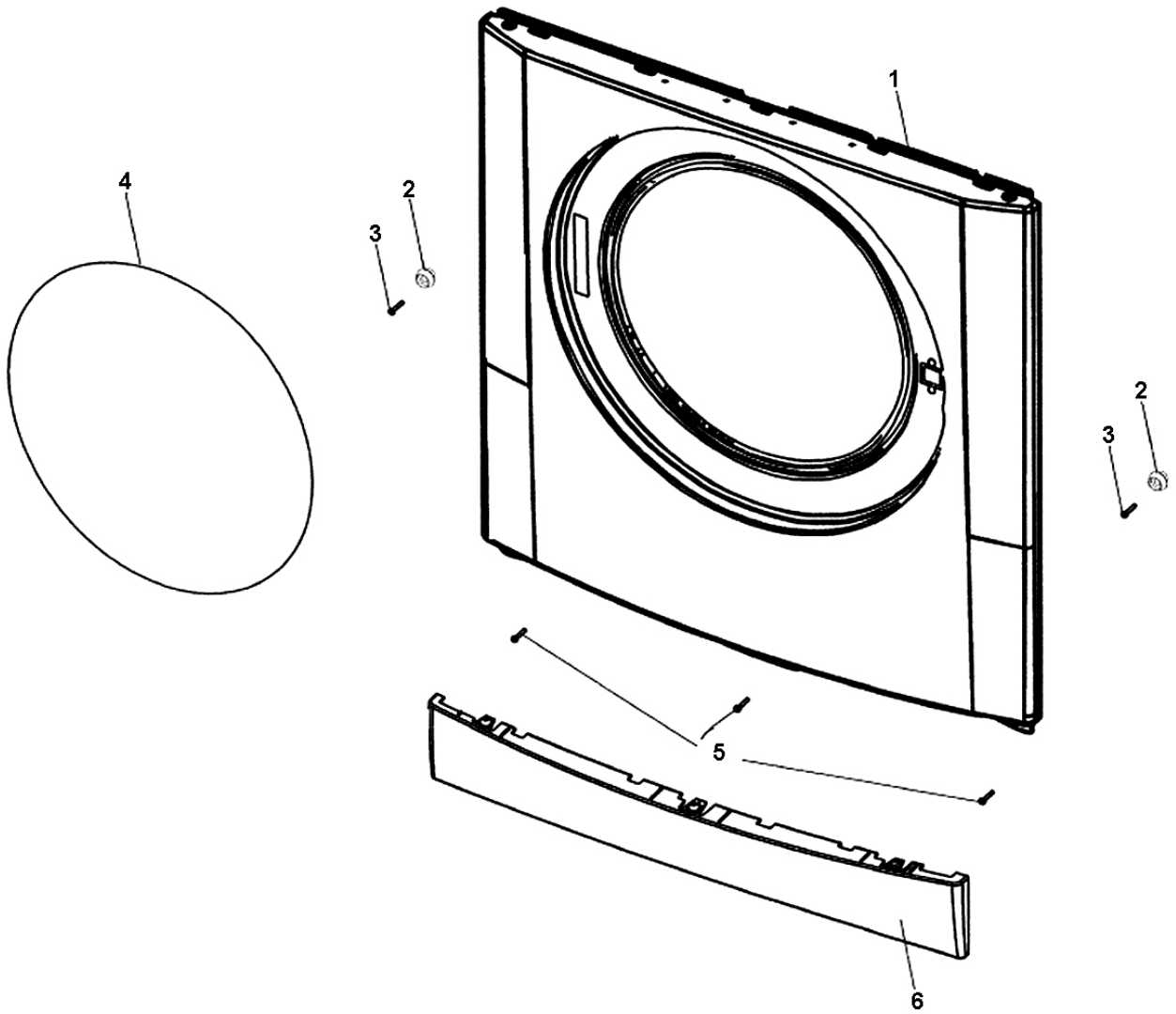


DWG001454 14 APRIL 2008

DOOR AREA

REF	PART	DESCRIPTION
1	790374	SCREW 4.2X9.5
2	790312	BOLT AM5X10 DIN 7985 4.8-H
3	790445	SUPPORT HINGE MOUNT WH70/60F/80
4	791816	DOOR ASSEMBLY WH80
5	790743	COVER DOOR OUTER
6	790714	COVER DOOR INNER
7	790340	SCREW 4X14
8	790467	BUSH HINGE DOOR WH70/60F/80
9	790716	HINGE DOOR
10	790713	PORTHOLE DOOR WH70/80
11	790440	HANDLE DOOR WH70/60F/80
12	790363	HOOK DOOR LOCK
13	790364	PIN DOOR LOCK
14	790459	SPRING DOOR LATCH WH70/60F/80

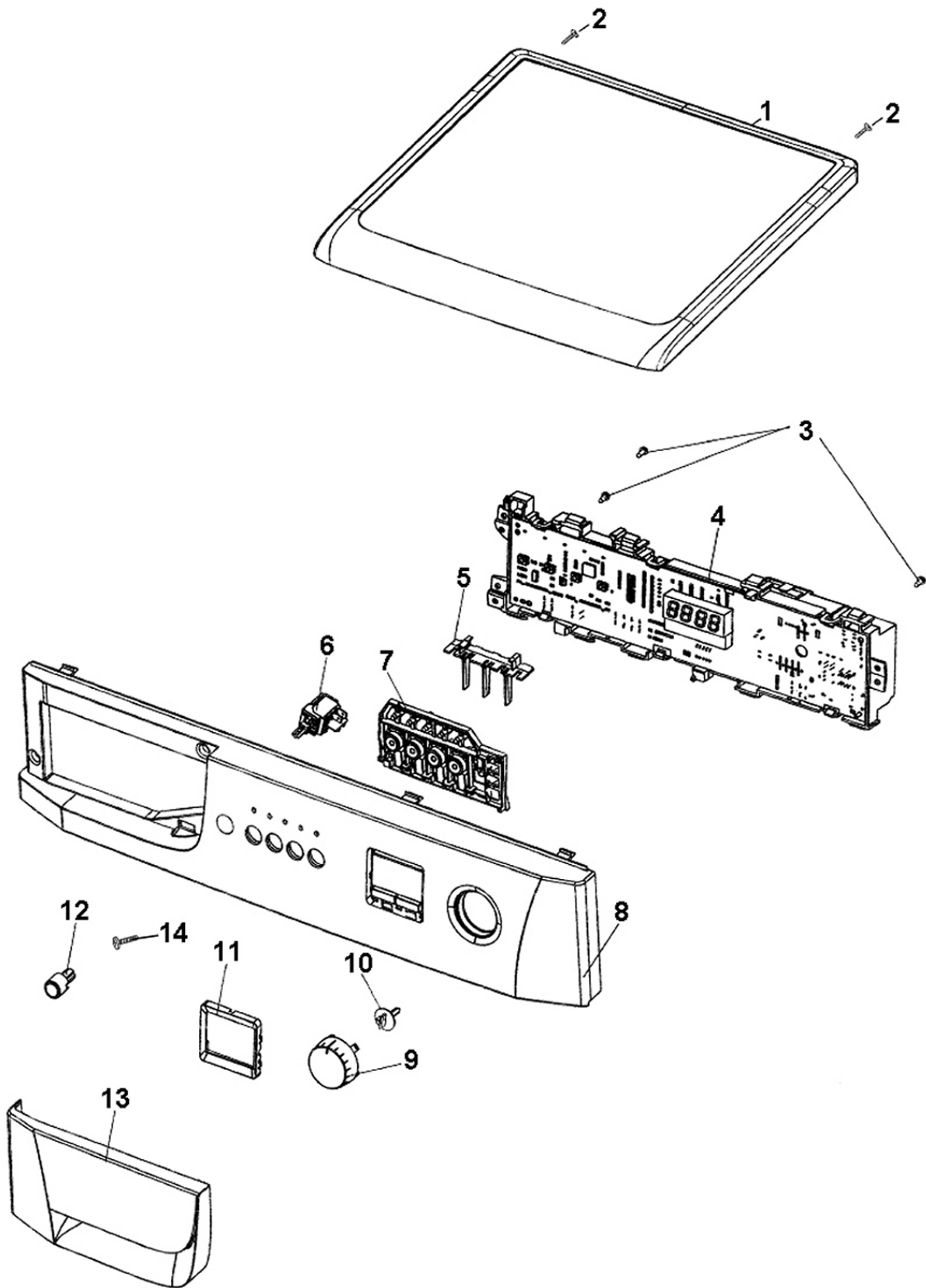
FRONT PANEL AREA



FRONT PANEL AREA

REF	PART	DESCRIPTION
1	790462	PANEL CBINET FRONT WH70/60F/80
2	790371	HOLDER MODULE DC WH70F/80
3	790309	SCREW B4.2X13 DIN 7981-H
4	791799	CLAMP CABINET BELLOWS
5	790399	SCREW
6	790744	COVER KICKPLATE

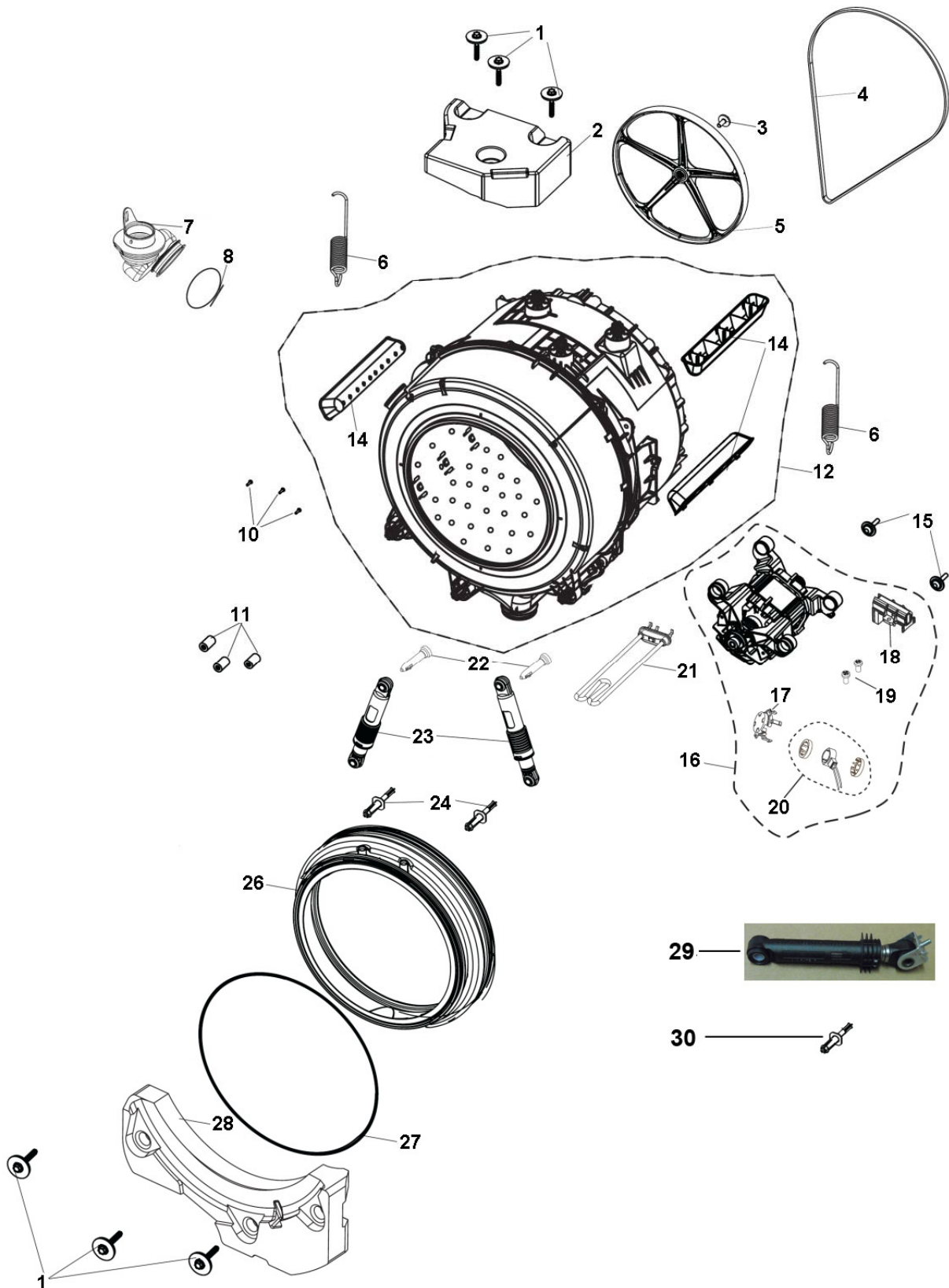
CONTROL PANEL AREA



CONTROL PANEL AREA

REF	PART	DESCRIPTION
1	790798	PANEL TOP ASSEMBLY WH80F
2	790374	SCREW 4.2X9.5
3	790384	SCREW 3.5X10
4	791819	BOARD MAIN ASSY WH80
5	790750	REFLECTOR
6	790436	SWTCH PUSH TO STRT WH70/60F/80
7	790771	BUTTONS FUNCTION ASSY
8	791826	PANEL CONTROL WH80
9	790740	KNOB TIMER
10	791786	SHAFT TIMER KNOB WH60/70/80
11	790758	FRAME GLASS
12	790748	BUTTON ON/OFF
13	791825	COVER DETERGENT DR FRONT WH80
14	790340	SCREW 4X14
NI	791802	MANUAL USER WH60/70/80

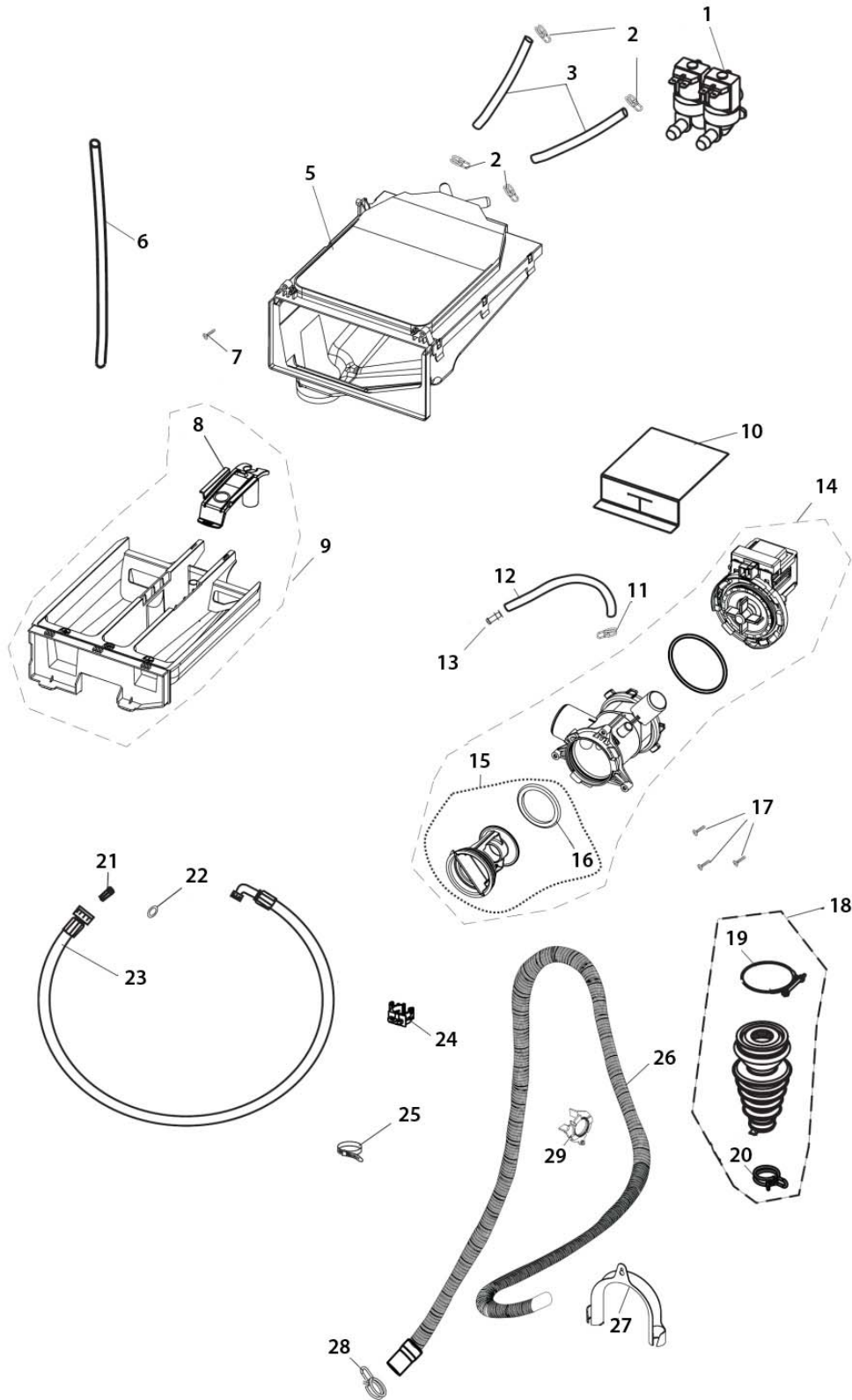
DRUM AREA



DRUM AREA

REF	PART	DESCRIPTION
1	790727	BOLT COUNTERWEIGHT
2	790782	COUNTERWEIGHT UPPER WH60/80
3	790322	BOLT PULLEY
4	790723	BELT POLY-V
5	790800	PULLEY DRUM WH80
6	790720	SPRING SUSPENSION WH70/80
7	790731	HOSE TUB INLET
8	790730	CLAMP HOSE
10	790413	SCREW 4X10
11	790400	CUSHION RUBBER
12	790808	DRUM ASSEMBLY WH80
14	791803	BAFFLE DRUM WH60
15	790724	SCREW MOTOR MOUNTING
16	790725	MOTOR WH70/80
17	790475	COVER TACHOMETER
18	790474	BRUSH CARBON MOTOR (L24MF7)
19	790476	SCREW MOTOR BUSH TAPTITE M4X10
20	790755	TACHOMETER WH70/80
21	790769	HEATER ASSY
22	790329	PIN SHOCK ABSORBER
23	790726	SHOCK ABSORBER
24	790775	PIN SHOCK ABSORBER BOTTOM
26	790721	BELLOWS DOOR WH70/80
27	790320	CLAMP DOOR HOOD
28	790801	COUNTERWEIGHT LOWER
NI	790772	FLAP CHASSIS
29	792334	SHOCK ABSORBER
30	792335	SHOCK ABSORBER PIN

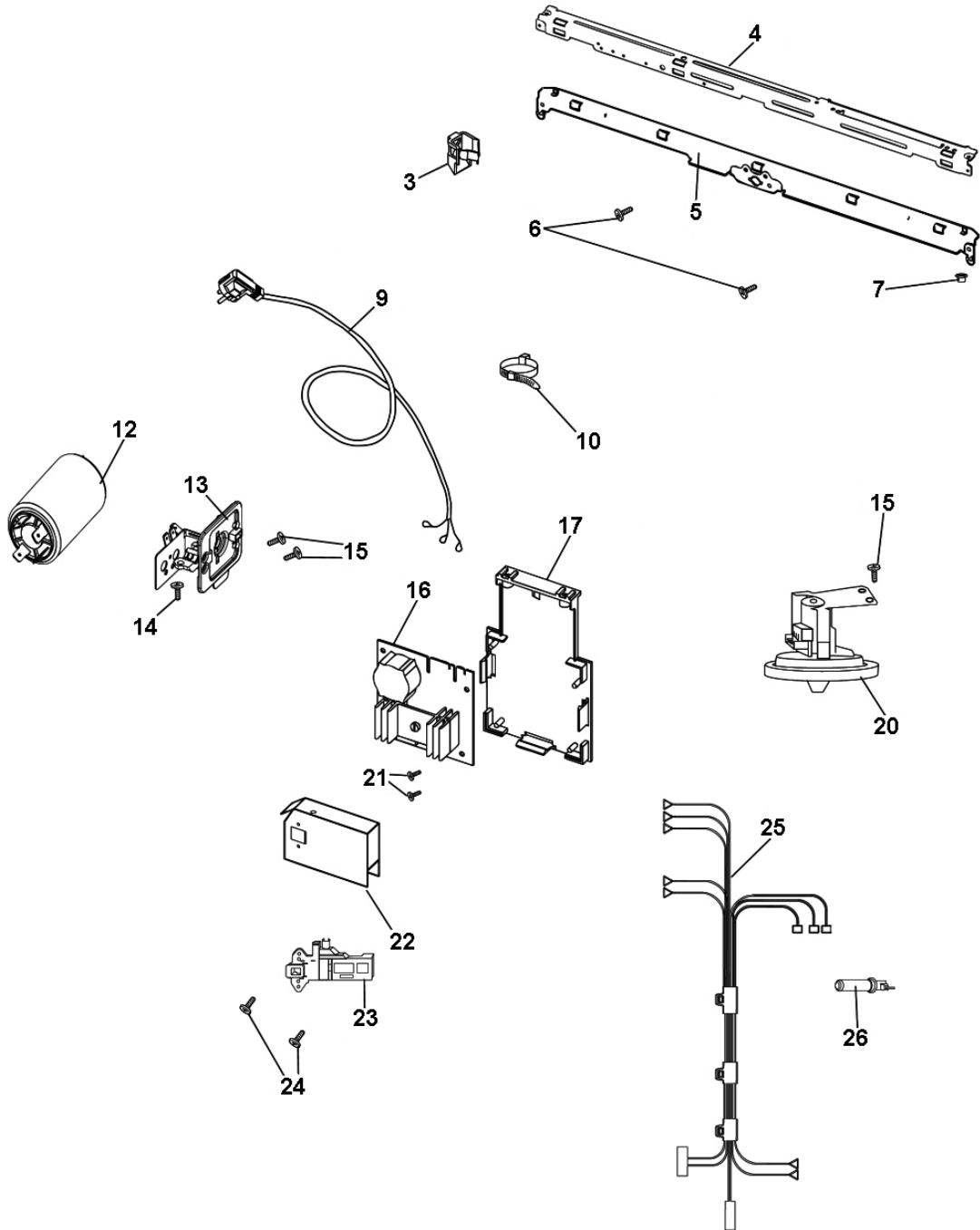
WATER CIRCULATION AREA



WATER CIRCULATION AREA

REF	PART	DESCRIPTION
1	790418	VALVE INLET COLD DOUBLE
2	790768	CLAMP HOSE 14.8
3	790453	HOSE DESPENSER WH70F/80
5	790733	DISPENSER DETERGENT ASSY
6	790332	HOSE AIR PIPE
7	790340	SCREW 4X14
8	790728	SIPHON DRAWER
9	790742	DRAWER DETERGENT ASSY
10	791787	COVER PUMP WH60/70/80
11	790380	CLAMP HOSE
12	790381	HOSE EMERGENCY DRAIN
13	791828	STOPPER HOSE
14	790804	PUMP ASSEMBLY
15	790752	FILTER ASSY PUMP
16	790342	SEAL PUMP FILTER
17	790390	SCREW 4X10
18	790762	HOSE TUB OUTLET ASSY
19	790730	CLAMP HOSE
20	790341	CLAMP HOSE
21	790348	FILTER INLET HOSE
22	790424	SEAL INLET HOSE
23	790417	HOSE INLET COLD
24	790747	HOLDER DISCHARGE HOSE
25	791793	CLAMP PLASTIC
26	791827	HOSE DISCHARGE WH80
27	790338	ELBOW DRAIN HOSE
28	790375	CLAMP HOSE 28.7
29	790330	HOLDER HOSE

ELECTRICAL AREA



ELECTRICAL AREA

REF	PART	DESCRIPTION
3	790423	HOLDER CABLE
4	791807	BRACKET PANEL SUPPORT
5	790774	BRACKET BOTTOM SUPPORT
6	790374	SCREW 4.2X9.5
7	790373	HOLDER FRONT PANEL
9	790350	CABLE MAINS
10	791793	CLAMP PLASTIC
12	790735	SUPPRESSOR INTERFERENCE
13	790776	TERMINAL BLOCK MAINS
14	790390	SCREW 4X10
15	790399	SCREW
16	790473	MODULE DC UNIT WH70F/80
17	790471	HOLDER MODULE DC WH70F/80
20	790737	SWITCH PRESSURE WH60/70/80
21	790384	SCREW 3.5X10
22	790477	PROTECTION MOISTURE DOOR LOCK
23	790715	LOCK DOOR
24	790379	SCREW 4.5X12
25	791818	HARNESS MAIN CABLE WH80
26	791794	NTC
NI	791813	CLAMP CABLE WH70