

# Parts Manual

## Front Loading Washing Machine

**Model:**  
WH80F60WV1 FP AA

**Product Code:**  
98731



care



## PRODUCT

**Brand** Fisher & Paykel  
**Voltage** 220-240V 50Hz  
**Model** WH80F60WV1 FP AA  
**Product Code** 98731

**Fisher & Paykel Appliances Ltd**  
78 Springs Road, East Tamaki  
Manukau 2013  
PO Box 58-732, Botany  
Manukau 2163  
New Zealand  
Telephone: 09 273 0600  
Facsimile: 09 273 0656

**Fisher & Paykel Customer Services Pty Ltd**  
PO Box 798, Cleveland, QLD 4163  
A.C.N. 003 3335 171  
19 Enterprise Street  
Cleveland, QLD 4163  
Australia  
Telephone: (07) 3826 9100  
Facsimile: (07) 3826 9164



# CONTENTS

CABINET AREA ..... 6

CABINET INSULATION ..... 8

DOOR AREA..... 10

FRONT PANEL AREA ..... 12

CONTROL PANEL AREA ..... 14

DRUM AREA..... 16

WATER CIRCULATION AREA ..... 18

ELECTRICAL AREA ..... 20

**GUIDE TO USING THIS MANUAL**

The model covered by this manual is listed on the front cover.

The information detailed in this manual is subject to change without notice. The latest version is indicated by the reprint date and replaces any earlier editions.

The front cover picture shows the type of product and may not necessarily be an exact image of the model covered by the manual.

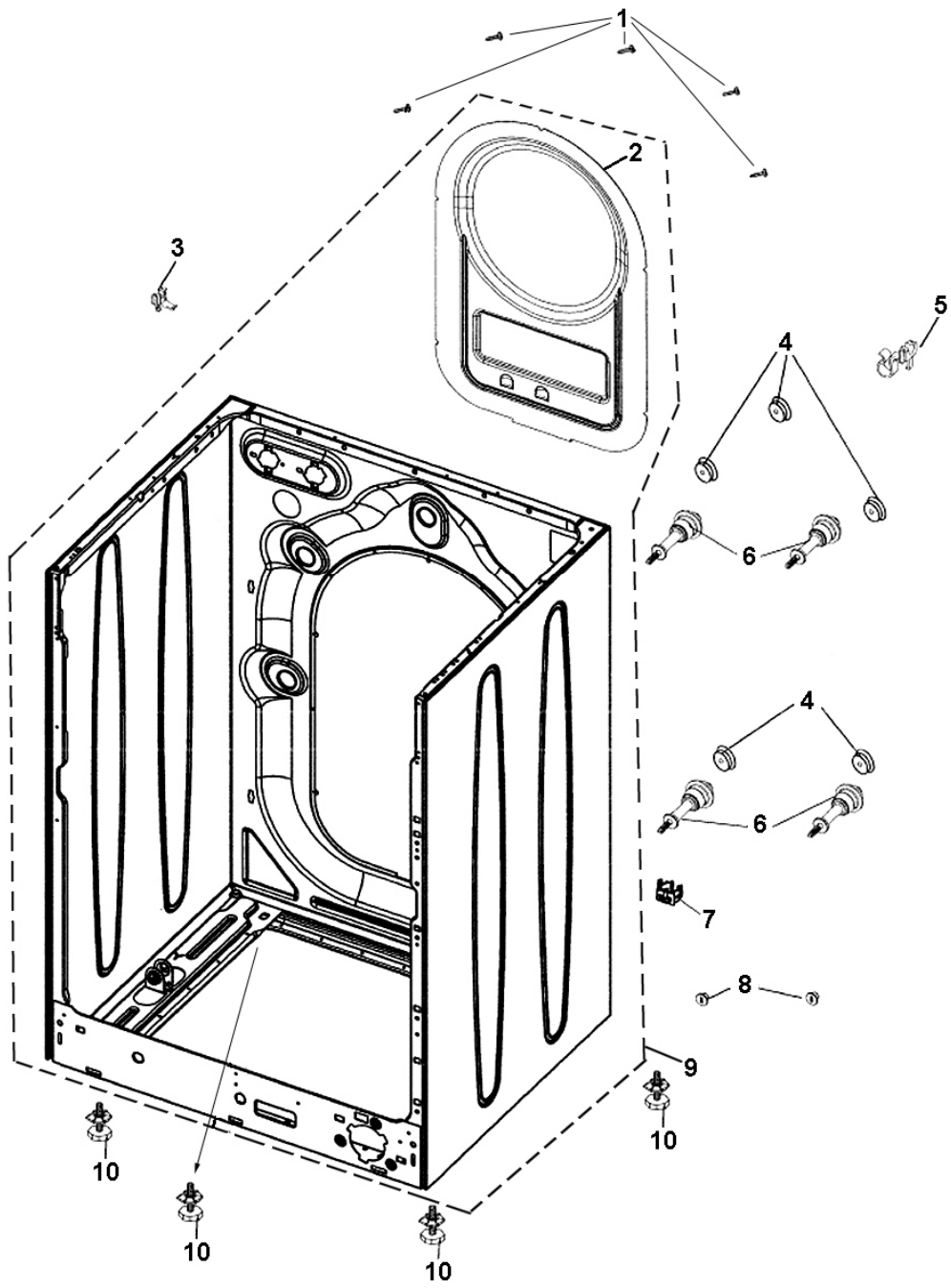
**Kit Parts**

Kit components are shown in *italics*. Where a part number is shown against the descriptions for these kit components, they are also available as separate items. In addition, some parts may be supplied with these kits that are not available as separate items, and are therefore either not listed, or a part number is not shown against the part description in this manual.

**Parts List Key**

<i>italics</i>	Kit components or parts included are shown in <i>italics</i> . Refer to above notes: Kit Parts.
NI	As a part reference, indicates the part is not illustrated on the diagram.
NOT USED	As a part number, indicates the diagram part reference is not used in this manual.

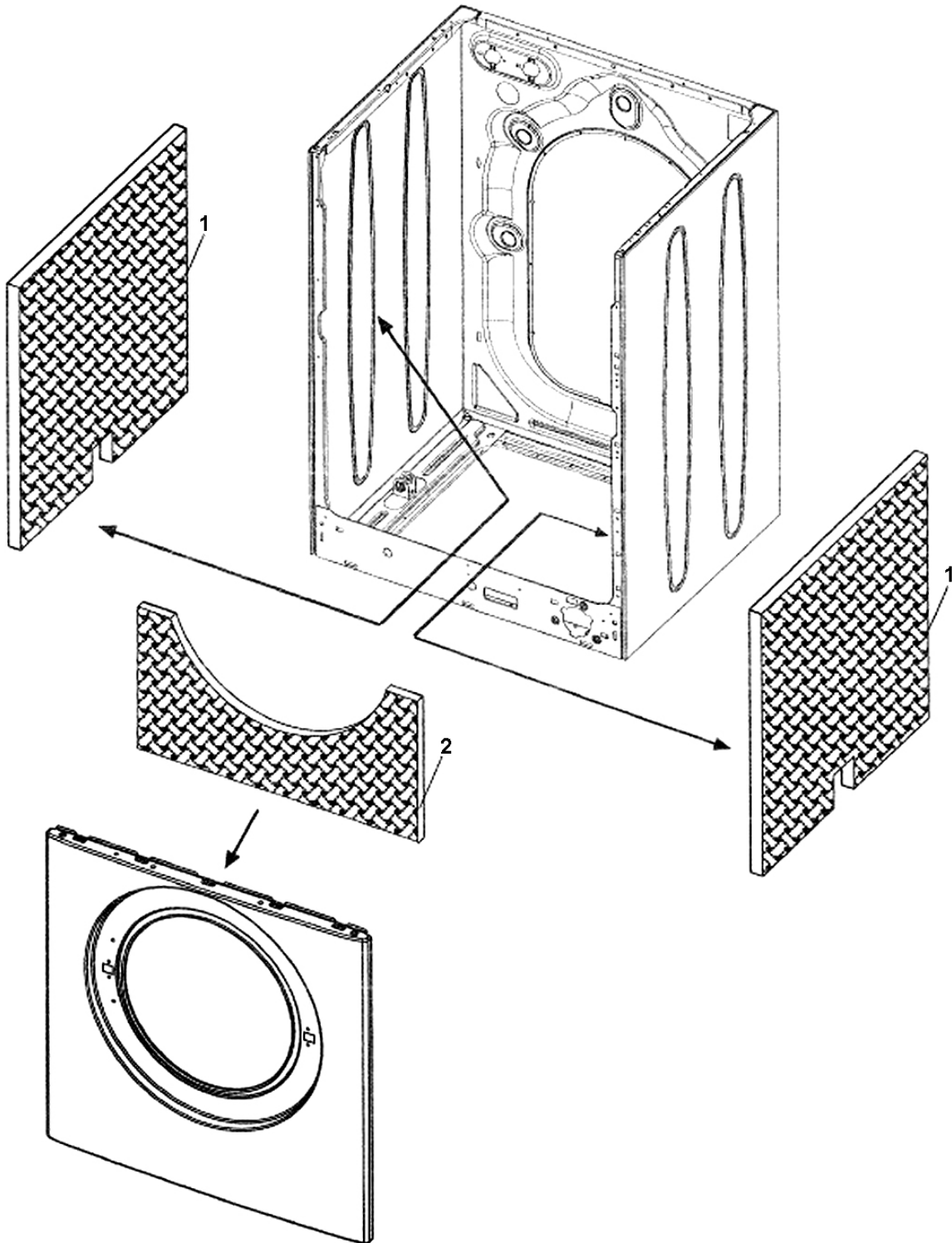
# CABINET AREA



**CABINET AREA**

<b>REF</b>	<b>PART</b>	<b>DESCRIPTION</b>
1	790399	SCREW
2	790439	COVER REAR SERVICE WH70F
3	790311	HOLDER SPRING
4	790308	CAP COVER REAR
5	NOT USED	ITEM NOT USED IN THIS MODEL
6	790307	LOCK TRANSPORT REAR
7	790747	HOLDER DISCHARGE HOSE
8	790373	HOLDER FRONT PANEL
9	791817	CABINET ASSEMBLY WH80
10	790717	FOOT ADJUSTABLE ASSY
NI	790772	FLAP CHASSIS

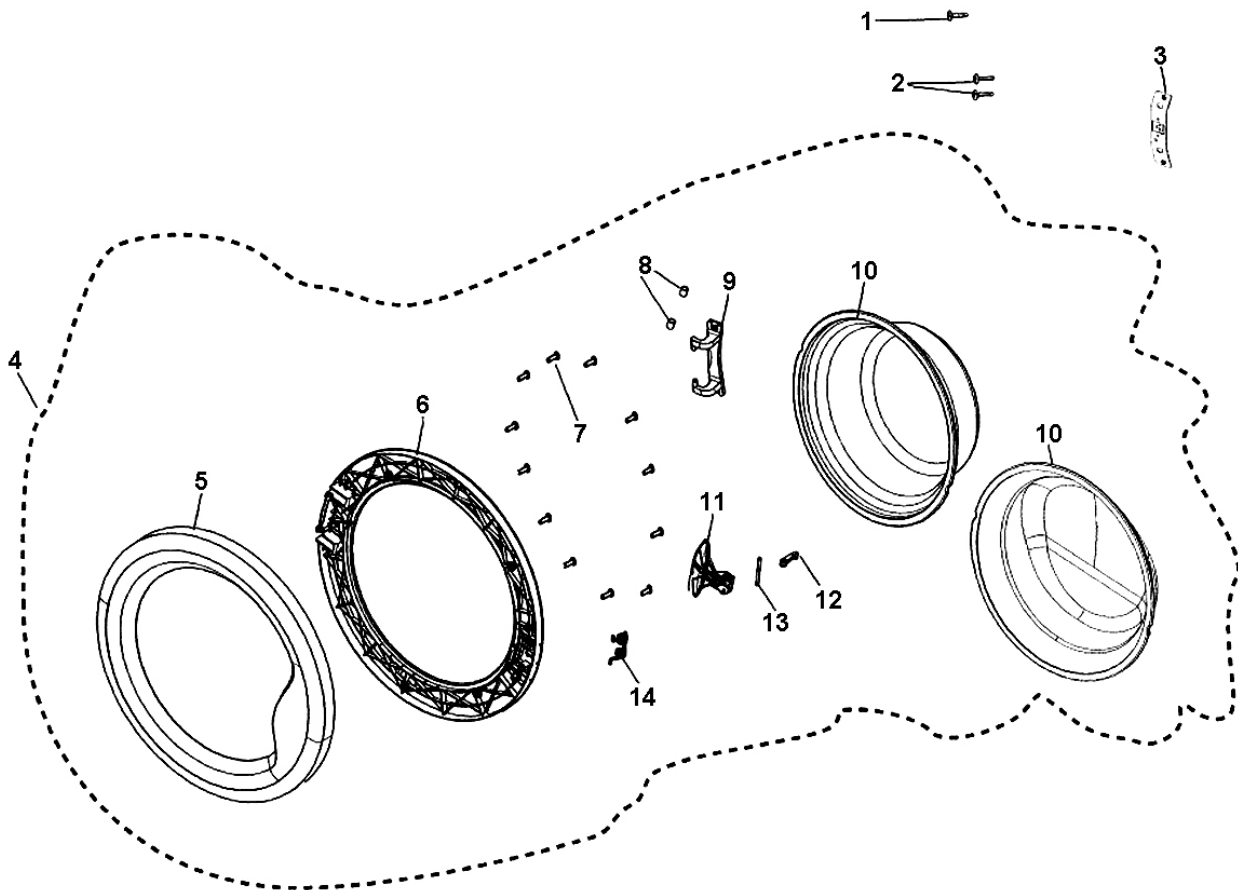
# CABINET INSULATION



**CABINET INSULATION**

<b>REF</b>	<b>PART</b>	<b>DESCRIPTION</b>
1	790466	PANL SIDE SUND DEADEN WH70F/80
2	790465	PANL FRNT SOUND DEADN WH70F/80

# DOOR AREA

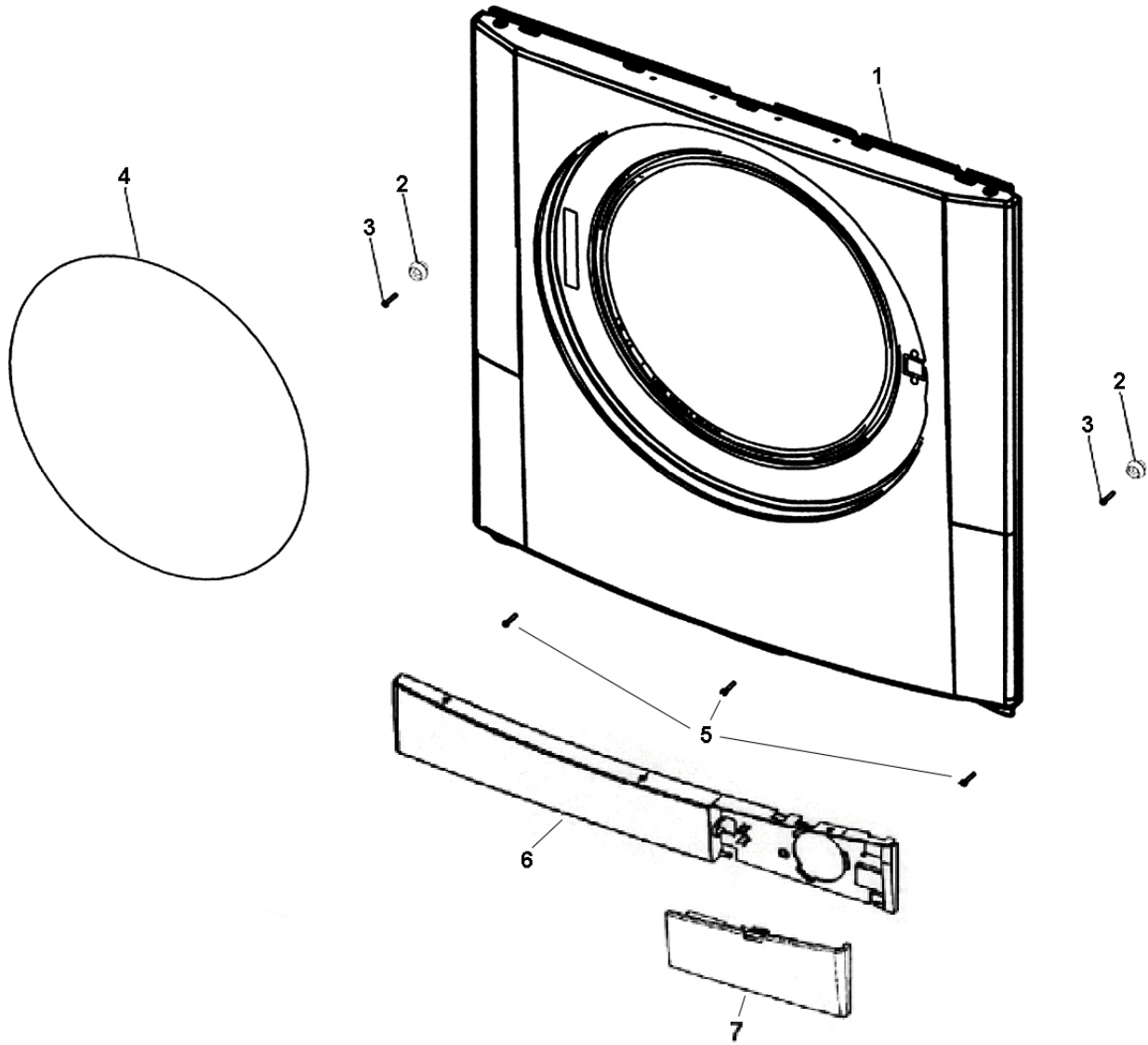


DWG001454 14 APRIL 2008

## DOOR AREA

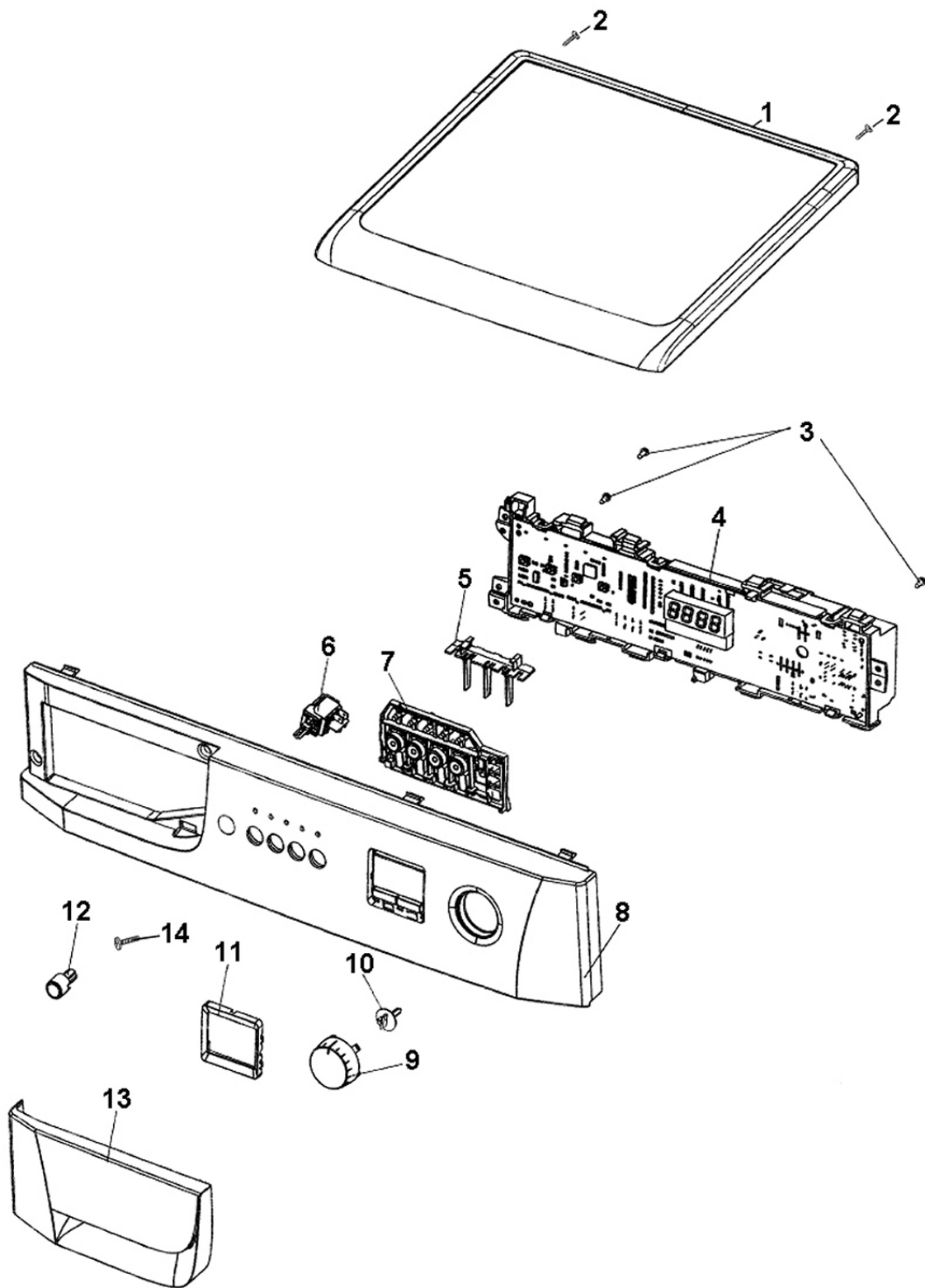
REF	PART	DESCRIPTION
1	790374	SCREW 4.2X9.5
2	790312	BOLT AM5X10 DIN 7985 4.8-H
3	790445	SUPPORT HINGE MOUNT WH70/60F/80
4	791941	DOOR ASSY SILVER WH80F60WV1
5	791945	COVER DOOR OUTER SILVER
6	790714	COVER DOOR INNER
7	790340	SCREW 4X14
8	790467	BUSH HINGE DOOR WH70/60F/80
9	790716	HINGE DOOR
10	790713	PORTHOLE DOOR WH70/80
11	791946	HANDLE SILVER WH80F60WV1
12	790363	HOOK DOOR LOCK
13	790364	PIN DOOR LOCK
14	790459	SPRING DOOR LATCH WH70/60F/80

# FRONT PANEL AREA



**FRONT PANEL AREA**

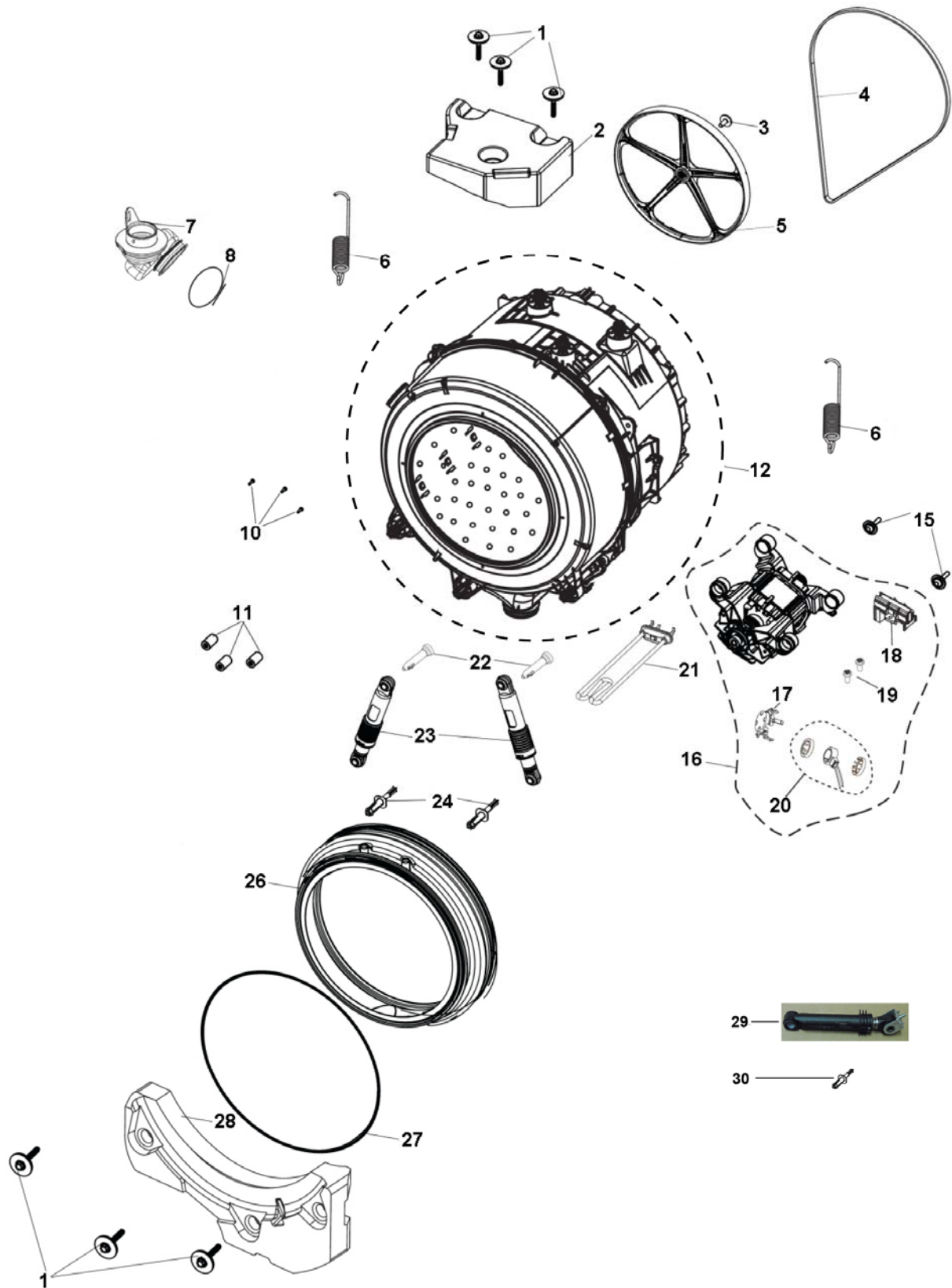
<b>REF</b>	<b>PART</b>	<b>DESCRIPTION</b>
1	791971	PANEL FRONT WH80/70/60 V1
2	790371	CLIP FRONT PANEL
3	790309	SCREW B4.2X13 DIN 7981-H
4	791799	CLAMP CABINET BELLOWS
5	790399	SCREW
6	790365	KICKPLATE
7	790398	COVER KICKPLATE

**CONTROL PANEL AREA**

## CONTROL PANEL AREA

REF	PART	DESCRIPTION
1	790798	PANEL TOP ASSEMBLY WH80F
2	790374	SCREW 4.2X9.5
3	790384	SCREW 3.5X10
4	791819	BOARD MAIN ASSY WH80
5	790750	REFLECTOR
6	791966	SWITCH PUSH / START WH80/70/60
7	790771	BUTTONS FUNCTION ASSY
8	791948	PANEL CONTROL WH80 SILVER
9	791947	KNOB TIMER SILVER
10	791786	SHAFT TIMER KNOB WH60/70/80
11	790758	FRAME GLASS
12	790748	BUTTON ON/OFF
13	791949	COVER DETERGENT DR FRONT
14	790340	SCREW 4X14
NI	791802	MANUAL USER WH60/70/80

# DRUM AREA

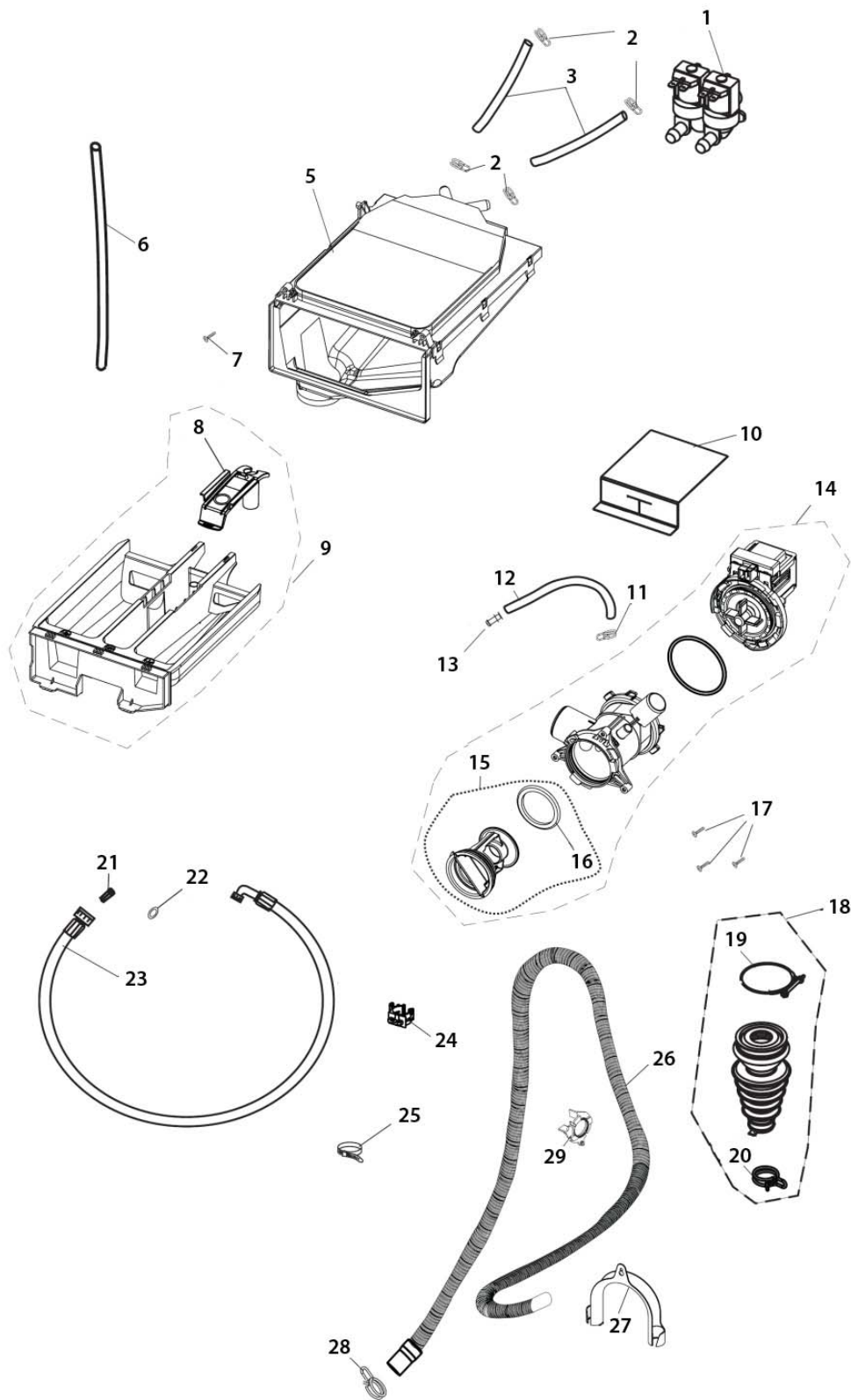


DWG002324 - NOVEMBER 2010

## DRUM AREA

REF	PART	DESCRIPTION
1	790727	BOLT COUNTERWEIGHT
2	790782	COUNTERWEIGHT UPPER WH60/80
3	791942	SCREW PULLEY FIXING
4	790723	BELT POLY-V
5	790800	PULLEY DRUM WH80
6	790720	SPRING SUSPENSION WH70/80
7	790731	HOSE TUB INLET
8	790759	CLAMP PLASTIC
10	791943	SCREW 4X14
11	790400	CUSHION RUBBER
12	791950	DRUM ASSY WH80 V1
15	791951	MOTOR BOLT MOUNTING
16	790725	MOTOR WH70/80
17	790475	COVER TACHOMETER
18	791952	CARBON BRUSH
19	790476	SCREW MOTOR BUSH TAPTITE M4X10
20	791953	TACHOMETER (COMPAGNARO )
21	790769	HEATER ASSY
22	790329	PIN SHOCK ABSORBER
23	790726	SHOCK ABSORBER
24	790775	PIN SHOCK ABSORBER BOTTOM
26	790721	BELLOWS DOOR WH70/80
27	790320	CLAMP DOOR HOOD
28	790801	COUNTERWEIGHT LOWER
29	792334	SHOCK ABSORBER
30	792335	SHOCK ABSORBER PIN

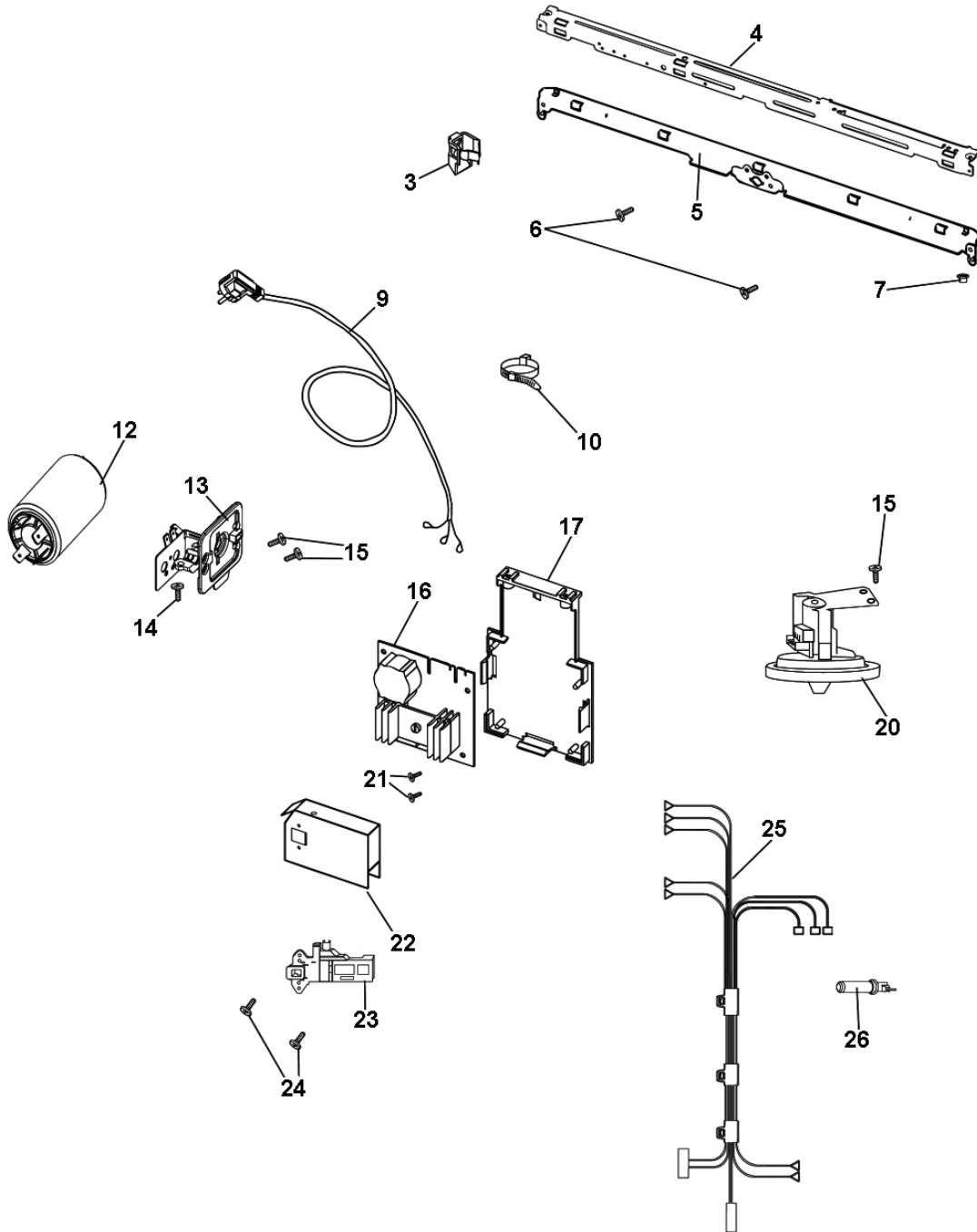
# WATER CIRCULATION AREA



## WATER CIRCULATION AREA

REF	PART	DESCRIPTION
1	790418	VALVE INLET COLD DOUBLE
2	790768	CLAMP HOSE 14.8
3	790453	HOSE DISPENSER WH70F/80
5	790733	DISPENSER DETERGENT ASSY
6	790332	HOSE AIR PIPE
7	790340	SCREW 4X14
8	790728	SIPHON DRAWER
9	790742	DRAWER DETERGENT ASSY
10	791787	COVER PUMP WH60/70/80
11	790380	CLAMP HOSE
12	790381	HOSE EMERGENCY DRAIN
13	791828	STOPPER HOSE
14	790804	PUMP ASSEMBLY
15	790752	FILTER ASSY PUMP
16	790342	SEAL PUMP FILTER
17	790390	SCREW 4X10
18	790762	HOSE TUB OUTLET ASSY
19	790730	CLAMP HOSE
20	790341	CLAMP HOSE
21	790348	FILTER INLET HOSE
22	790424	SEAL INLET HOSE
23	790417	HOSE INLET COLD
24	790747	HOLDER DISCHARGE HOSE
25	791793	CLAMP PLASTIC
26	791827	HOSE DISCHARGE WH80
27	791954	SUPPORT DRAIN HOSE DW60
28	790375	CLAMP HOSE 28.7
29	790330	HOLDER HOSE

# ELECTRICAL AREA



## ELECTRICAL AREA

REF	PART	DESCRIPTION
3	790423	HOLDER CABLE
4	791807	BRACKET PANEL SUPPORT
5	790774	BRACKET BOTTOM SUPPORT
6	790374	SCREW 4.2X9.5
7	790373	HOLDER FRONT PANEL
9	791792	CABLE MAINS WH60
10	791793	CLAMP PLASTIC
12	790735	SUPPRESSOR INTERFERENCE
13	791944	TERMINAL BLOCK & CLAMP ASSY
14	790390	SCREW 4X10
15	790399	SCREW
16	790473	MODULE DC UNIT WH70F/80
17	790471	HOLDER MODULE DC WH70F/80
20	790737	SWITCH PRESSURE WH60/70/80
21	790340	SCREW 4X14
22	790477	PROTECTION MOISTURE DOOR LOCK
23	790715	LOCK DOOR
24	790379	SCREW 4.5X12
25	791818	HARNESS MAIN CABLE WH80
26	791794	NTC
NI	791813	CLAMP CABLE WH70