

*Fisher & Paykel*

FRONTLOADING Washing Machine

WH60F60WV1 FP AA

*Product Code: 98734*

**Parts Manual**

<b>Brand:</b>	Fisher & Paykel
<b>Voltage:</b>	220-240V, 50Hz
<b>Model:</b>	WH60F60WV1 FP AA
<b>Product Code:</b>	98734

### Models

- The model covered by this manual is listed on the front cover.
- The information detailed in this manual is subject to change without notice. The latest version is indicated by the reprint date and replaces any earlier editions.

### Kit Parts

Kit components are shown in *italics*. Where a part number is shown against the descriptions for these kit components, they are also available as separate items. In addition, some parts may be supplied with these kits that are not available as separate items, and are therefore either not listed, or a part number is not shown against the part description in this manual.

### Parts List Key

<i>italics</i>	Kit components or parts included are shown in italics. Refer to above notes: Kit Parts.
NI	As a part reference, indicates the part is not illustrated on the diagram.
NOT USED	As a part number, indicates the diagram part reference is not used in this manual.

CABINET AREA	4
CABINET INSULATION	6
DOOR AREA	8
FRONT PANEL AREA	10
CONTROL PANEL AREA	12
DRUM AREA	14
WATER CIRCULATION AREA	16
ELECTRICAL AREA	18

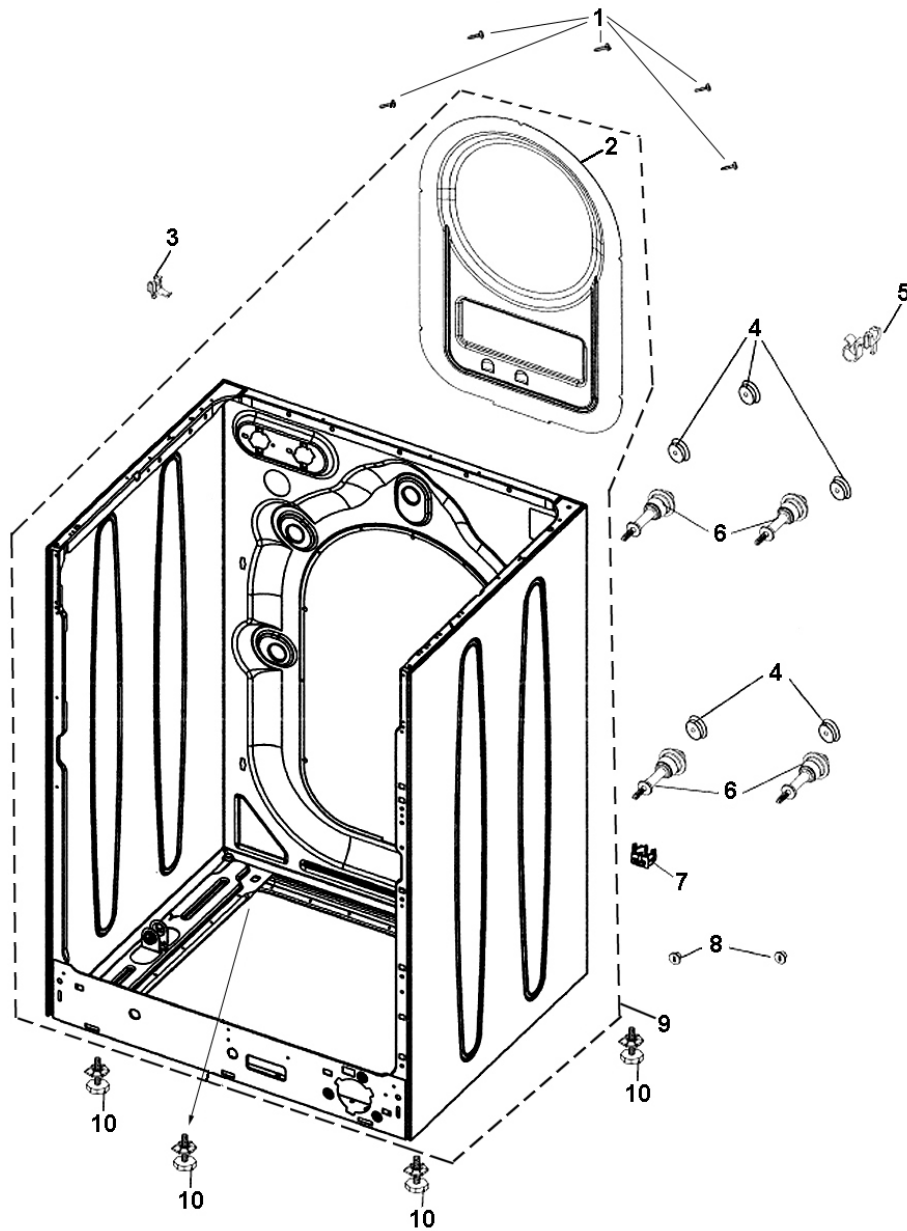
**Fisher & Paykel Appliances Ltd**  
78 Springs Road, East Tamaki,  
Manukau 2013,  
PO Box 58-546, Botany,  
Manukau 2163,  
New Zealand

tel: (09) 2730660  
fax: (09) 2730580  
email: [customer.care@fp.co.nz](mailto:customer.care@fp.co.nz)

**Fisher & Paykel Customer Services Pty Ltd**  
PO Box 798, Cleveland, QLD 4163  
A.C.N. 003 3335 171  
19 Enterprise Street  
Cleveland, QLD 4163  
Australia

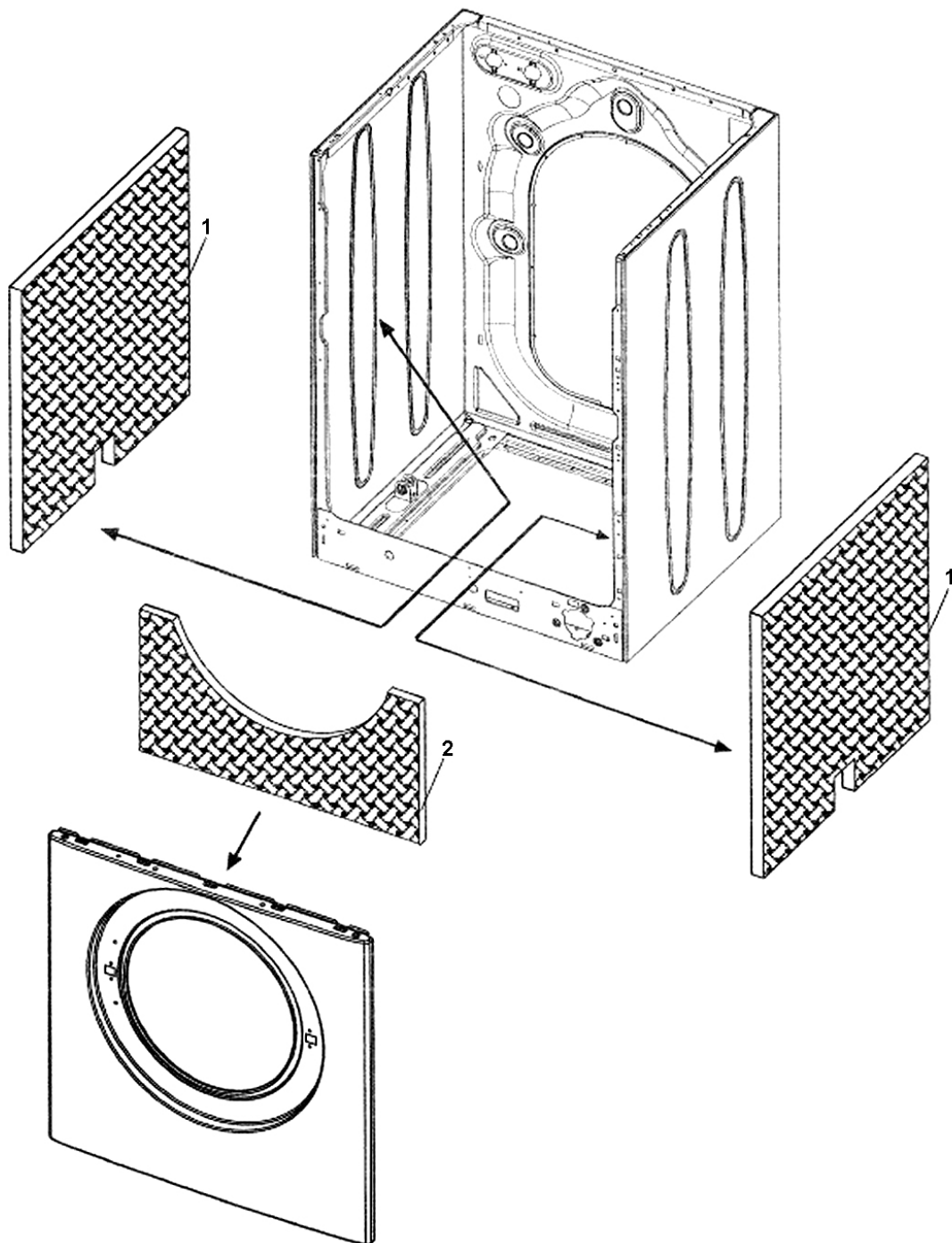
tel: 07 3826 9100  
fax: 07 3826 9164

4 CABINET AREA



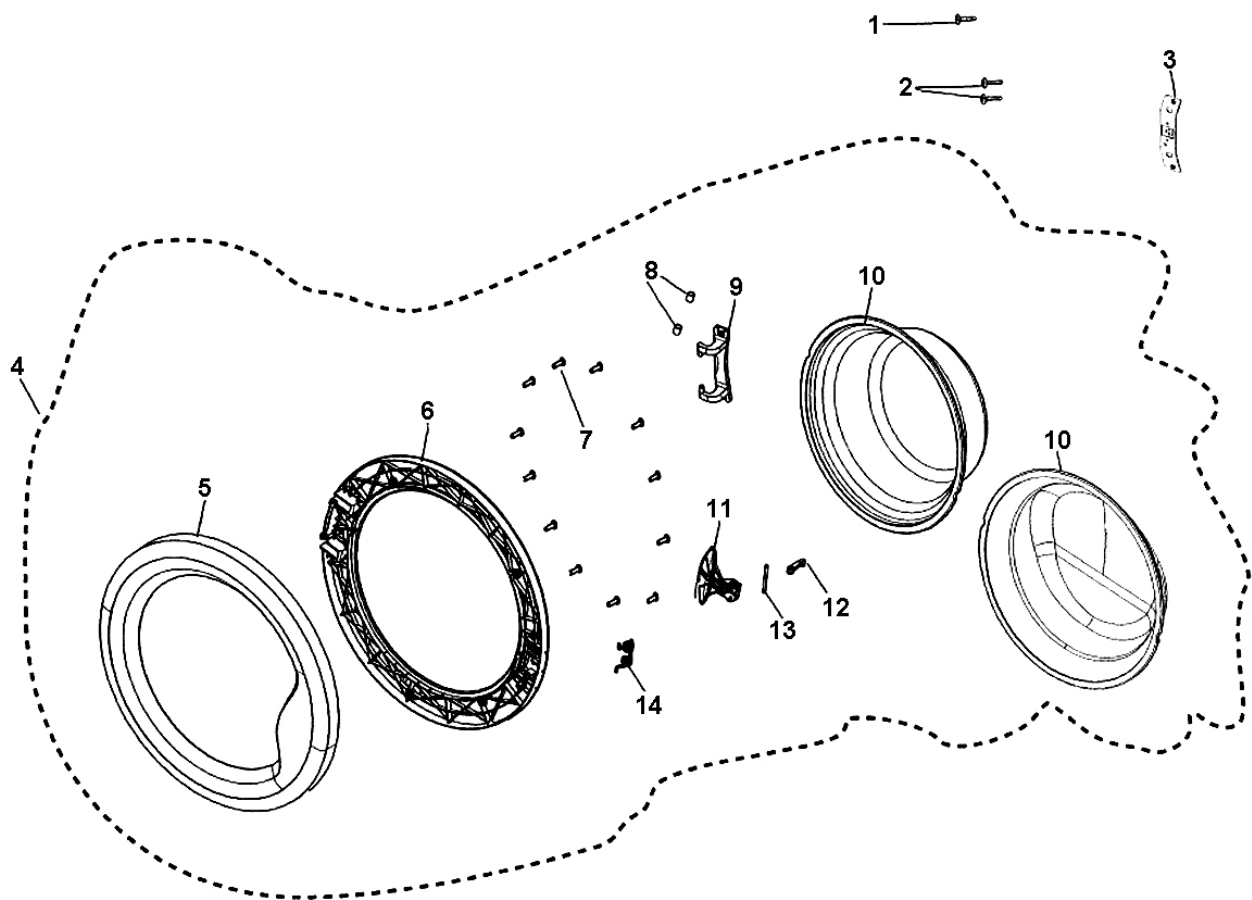
24REF.	PART NUMBER	PART DESCRIPTION
1	790399	SCREW
2	791806	COVER REAR WH60
3	790764	HOLDER SPRING
4	790308	CAP COVER REAR
5	790765	HOLDER SPRING
6	791797	TRANSPORT SAFETY ASSEMBLY
7	790747	HOLDER DISCHARGE HOSE
8	790373	HOLDER FRONT PANEL
9	791829	CABINET ASSEMBLY WH60
10	790717	FOOT ADJUSTABLE ASSY
NI	790772	FLAP CHASSIS

6 CABINET INSULATION



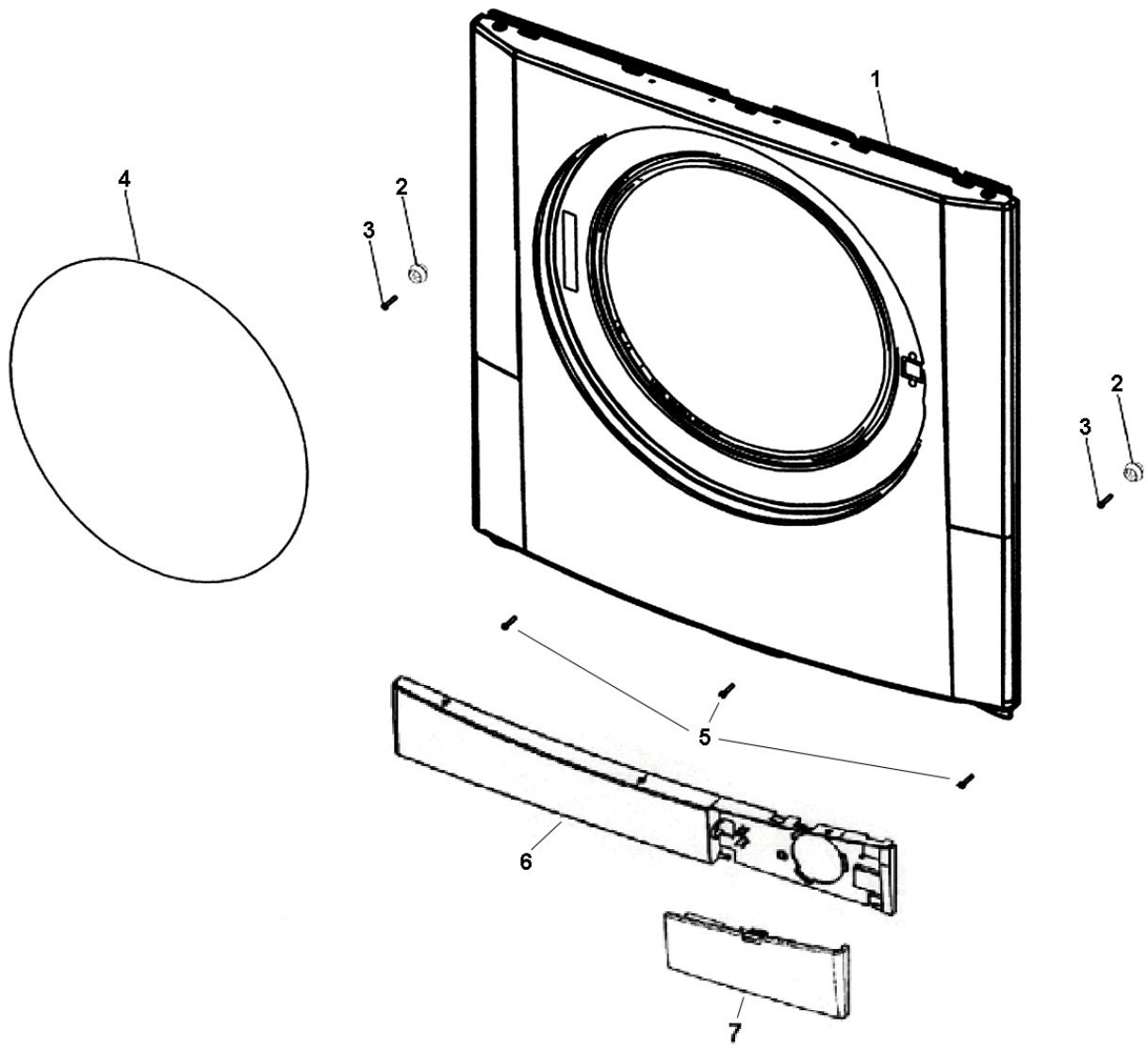
REF.	PART NUMBER	PART DESCRIPTION
<b>1</b>	791804	<b>PANEL SIDE SOUND DEADEN WH60</b>
<b>2</b>	790465	<b>PANL FRNT SOUND DEADN WH70F/80</b>

8 DOOR AREA

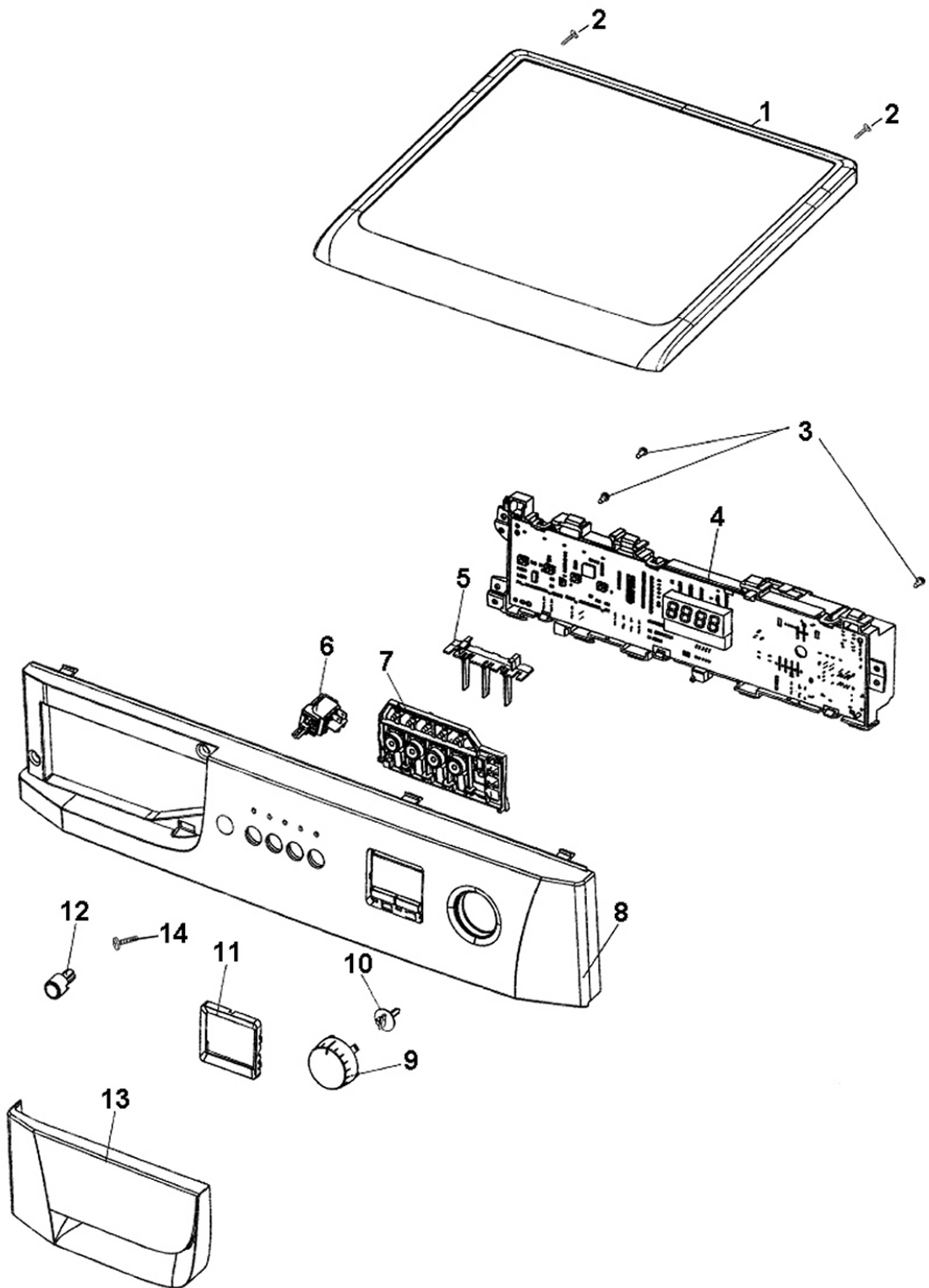


REF.	PART NUMBER	PART DESCRIPTION
1	790374	SCREW 4.2X9.5
2	790312	BOLT AM5X10 DIN 7985 4.8-H
3	791737	HINGE SUPPORT
4	791941	DOOR ASSY SILVER WH80F60WV1
5	791945	COVER DOOR OUTER SILVER
6	790714	COVER DOOR INNER
7	790340	SCREW 4X14
8	790467	BUSH HINGE DOOR WH70/60F/80
9	790716	HINGE DOOR
10	790713	PORTHOLE DOOR WH70/80
11	791946	HANDLE SILVER WH80F60WV1
12	790363	HOOK DOOR LOCK
13	790364	PIN DOOR LOCK
14	790459	SPRING DOOR LATCH WH70/60F/80

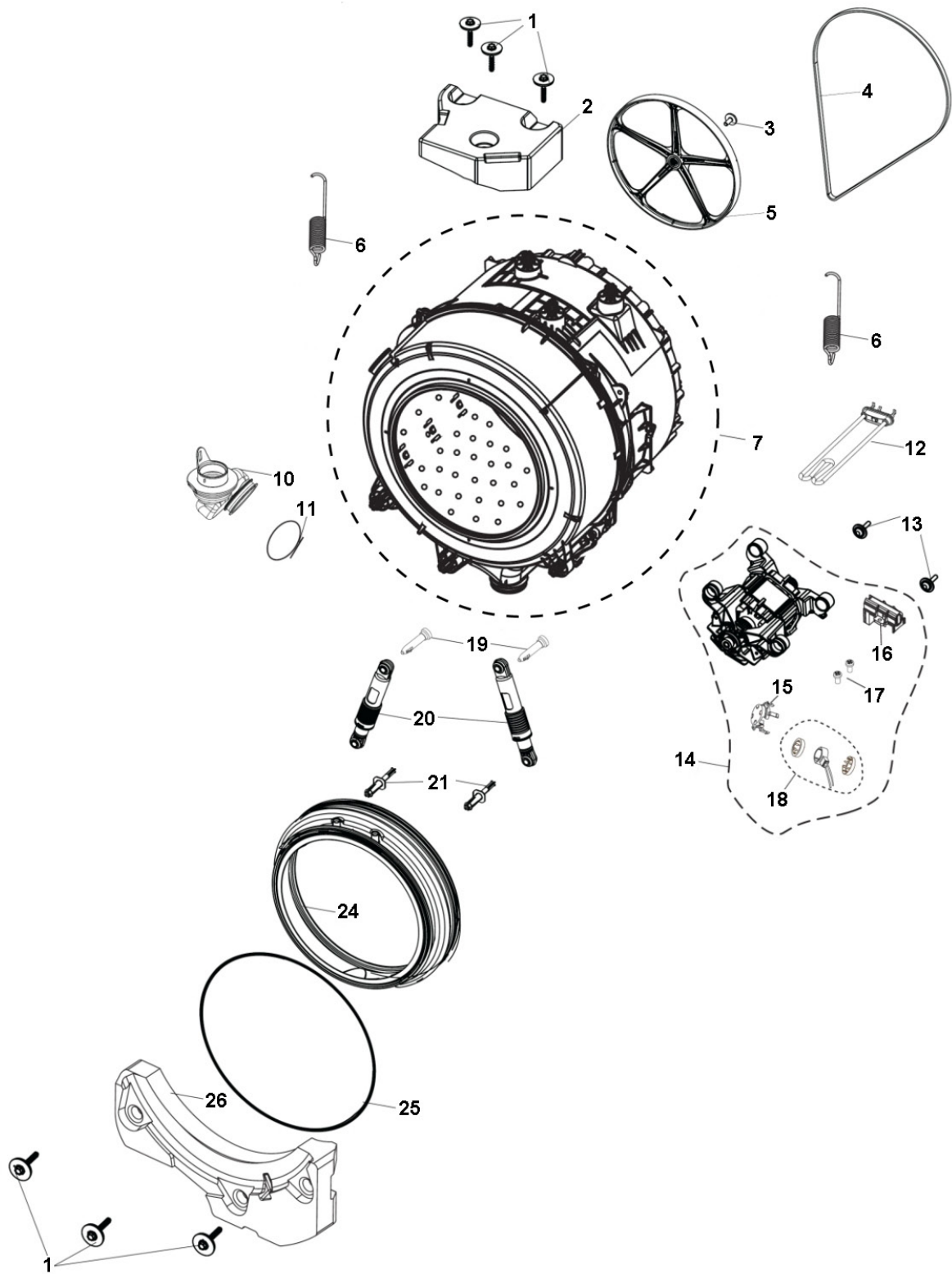
10 FRONT PANEL AREA



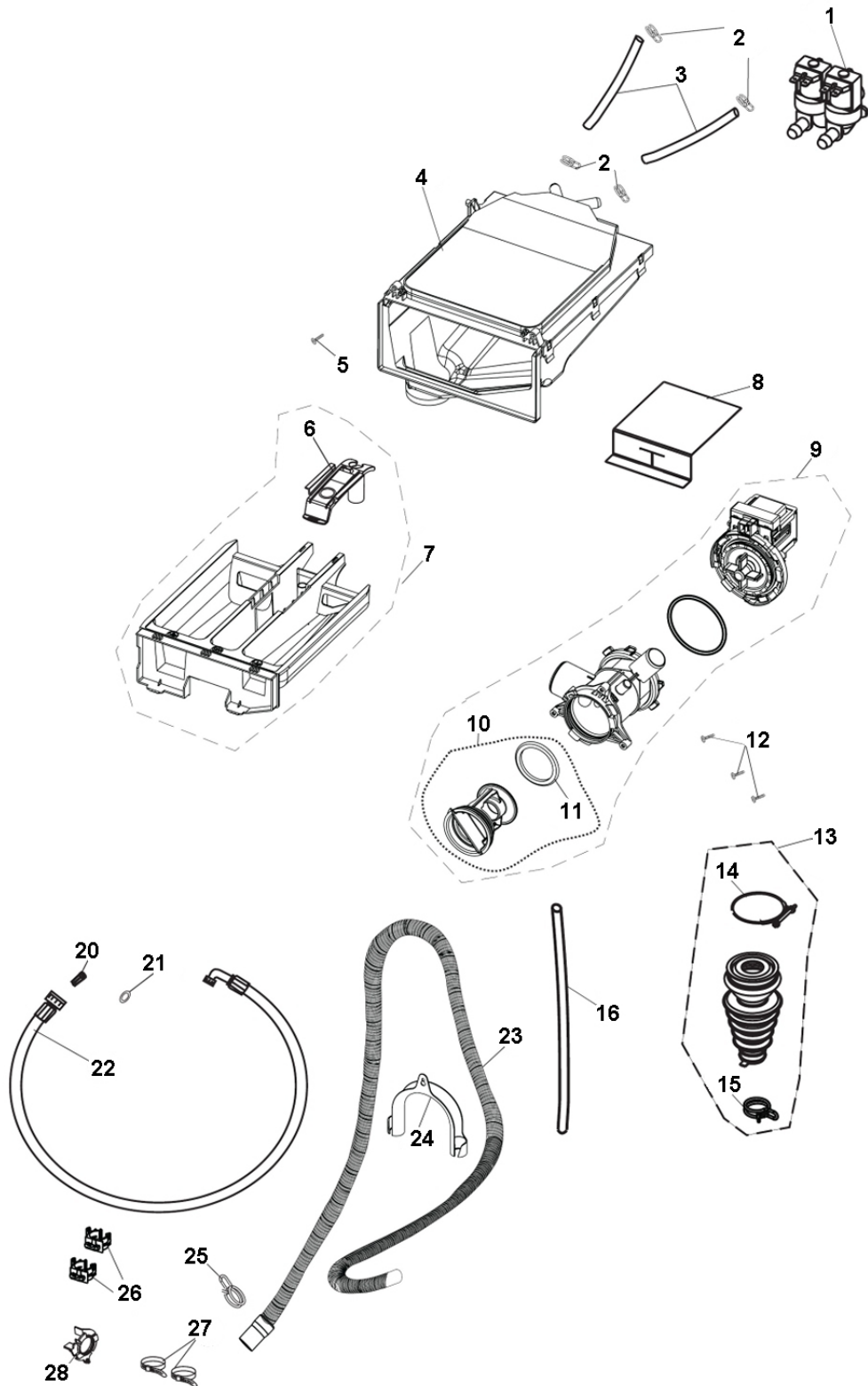
REF.	PART NUMBER	PART DESCRIPTION
1	791971	PANEL FRONT WH80/70/60 V1
2	790371	CLIP FRONT PANEL
3	790309	SCREW B4.2X13 DIN 7981-H
4	791799	CLAMP CABINET BELLOWS
5	791386	SCREW
6	790365	KICKPLATE
7	790398	COVER KICKPLATE



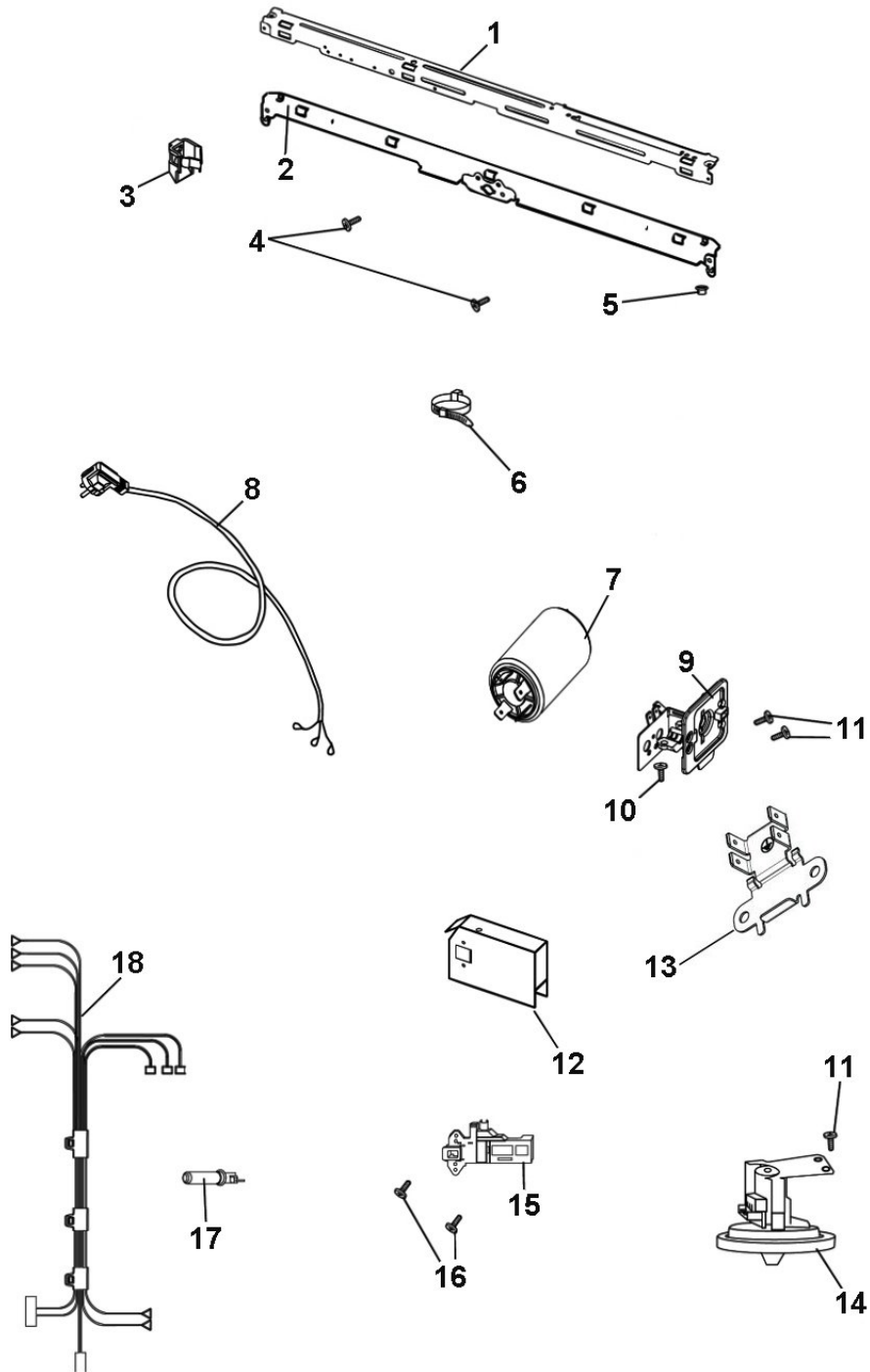
REF.	PART NUMBER	PART DESCRIPTION
1	790777	PANEL CABINET TOP WH60
2	790374	SCREW 4.2X9.5
3	790384	SCREW 3.5X10
4	791795	BOARD MAIN ASSY WH60
5	790750	REFLECTOR
6	791966	SWITCH PUSH / START WH80/70/60
7	790771	BUTTONS FUNCTION ASSY
8	791976	PANEL CONTROL WH60 V1
9	791947	KNOB TIMER SILVER
10	791786	SHAFT TIMER KNOB WH60/70/80
11	790758	FRAME GLASS
12	790748	BUTTON ON/OFF
13	791975	COVER DETERGENT DRAWER WH60 V1
14	790340	SCREW 4X14
NI	791802	MANUAL USER WH60/70/80



REF.	PART NUMBER	PART DESCRIPTION
1	790727	BOLT COUNTERWEIGHT
2	790782	COUNTERWEIGHT UPPER WH60/80
3	791942	SCREW PULLEY FIXING
4	790723	BELT POLY-V
5	790722	PULLEY
6	790783	SPRING SUSPENSION WH60
7	791788	TUB WELDED ASSY WH60
10	790731	HOSE TUB INLET
11	790759	CLAMP PLASTIC
12	790769	HEATER ASSY
13	791951	MOTOR BOLT MOUNTING
14	791805	MOTOR WH60
15	790475	COVER TACHOMETER
16	790790	BRUSH CARBON MOTOR (L93MF7)
17	790476	SCREW MOTOR BUSH TAPTITE M4X10
18	791953	TACHOMETER WH70/80
19	790329	PIN SHOCK ABSORBER
20	790726	SHOCK ABSORBER
21	790775	PIN SHOCK ABSORBER BOTTOM
24	790784	BELLOWS DOOR WH60
25	790320	CLAMP DOOR HOOD
26	791790	COUNTERWEIGHT (FRONT) WH60



REF.	PART NUMBER	PART DESCRIPTION
1	792343	VALVE INLET
NI	792345	HARNES ADAPT INLET VALVE (Refer Technical Bulletin S-FAWF-11-02)
2	790768	CLAMP HOSE 14.8
3	790792	HOSE DISPENSER LONG WH60
4	790733	DISPENSER DETERGENT ASSY
5	790340	SCREW 4X14
6	790728	SIPHON DRAWER
7	790742	DRAWER DETERGENT ASSY
8	791787	COVER PUMP WH60/70/80
9	790739	PUMP ASSY WH60/70
10	790752	FILTER ASSY PUMP
11	790342	SEAL PUMP FILTER
12	790390	SCREW 4X10
13	790762	HOSE TUB OUTLET ASSY
14	790730	CLAMP HOSE
15	790341	CLAMP HOSE
16	790729	HOSE AIR PIPE
20	790348	FILTER INLET HOSE
21	790424	SEAL INLET HOSE
22	790417	HOSE INLET COLD
23	791801	HOSE DISCHARGE WH60
24	790338	ELBOW DRAIN HOSE
25	790375	CLAMP HOSE 28.7
26	790747	HOLDER DISCHARGE HOSE
27	791793	CLAMP PLASTIC
28	790330	HOLDER HOSE



REF.	PART NUMBER	PART DESCRIPTION
1	791807	BRACKET PANEL SUPPORT
2	790774	BRACKET BOTTOM SUPPORT
3	790423	HOLDER CABLE
4	790374	SCREW 4.2X9.5
5	NA	NOT USED ON THIS MODEL
6	791793	CLAMP PLASTIC
7	792339	SUPPRESSOR INTERFERENCE
NI	792344	HARNESS ADAPTOR RFI CAP (Refer Technical Bulletin S-FAWF-11-02)
8	792397	CABLE SUPPLY
9	791789	TERMINAL BLOCK MAINS
10	790390	SCREW 4X10
11	791386	SCREW
12	790477	PROTECTION MOISTURE DOOR LOCK
13	792396	TERMINAL BRACKET
14	792342	PRESSURE SWITCH
NI	792346	HARNESS ADAPT PRESSURE SWITCH (Refer Tech Bulletin S-FAWF-11-02)
15	792341	LOCK DOOR
16	790379	SCREW 4.5X12
17	791794	NTC
18	792336	HARNESS ASSY WH6

*Fisher & Paykel*  
appliances

customer care™

[www.fisherpaykel.co.nz](http://www.fisherpaykel.co.nz)  
[www.fisherpaykel.com.au](http://www.fisherpaykel.com.au)

*Fisher & Paykel*

Copyright © Fisher & Paykel 2012. All rights reserved.

The product specifications in this booklet apply to the specific products and models described at the date of issue. Under our policy of continuous product improvement, these specifications may change at any time. You should therefore check with your Dealer to ensure this booklet correctly describes the product currently available.