

Fisher&Paykel

FRONTLOADING Washing Machine

WH70F60WV1 FP AA

Product Code: 98735

Parts Manual

Brand:	Fisher & Paykel
Voltage:	220-240V, 50Hz
Model:	WH70F60WV1 FP AA
Product Code:	98735

Models

- The model covered by this manual is listed on the front cover.
- The information detailed in this manual is subject to change without notice. The latest version is indicated by the reprint date and replaces any earlier editions.

Kit Parts

Kit components are shown in *italics*. Where a part number is shown against the descriptions for these kit components, they are also available as separate items. In addition, some parts may be supplied with these kits that are not available as separate items, and are therefore either not listed, or a part number is not shown against the part description in this manual.

Parts List Key

<i>italics</i>	Kit components or parts included are shown in italics. Refer to above notes: Kit Parts.
NI	As a part reference, indicates the part is not illustrated on the diagram.
NOT USED	As a part number, indicates the diagram part reference is not used in this manual.

CABINET AREA	4
CABINET INSULATION	6
DOOR AREA	8
FRONT PANEL AREA	10
CONTROL PANEL AREA	12
DRUM AREA	14
WATER CIRCULATION AREA	16
ELECTRICAL AREA	18

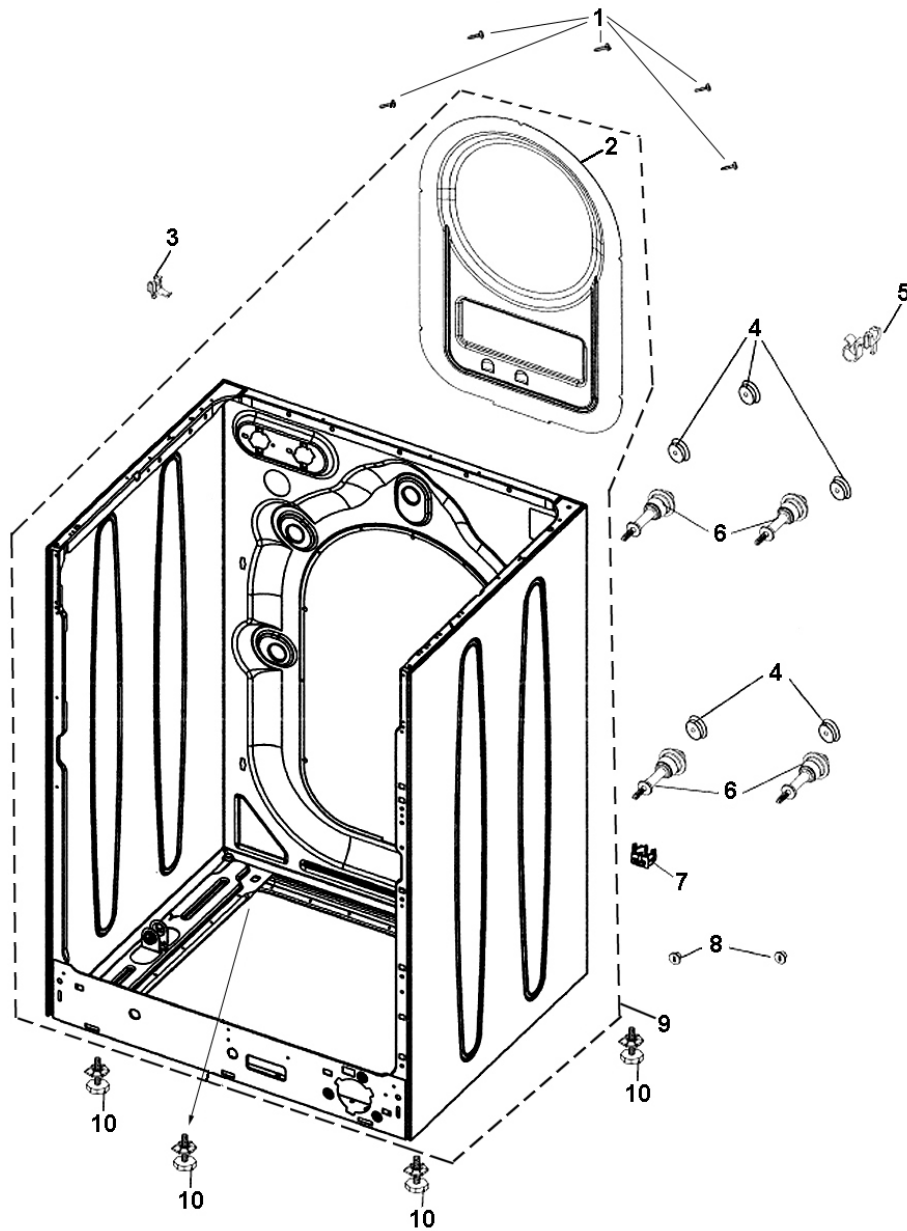
Fisher & Paykel Appliances Ltd
78 Springs Road, East Tamaki,
Manukau 2013,
PO Box 58-546, Botany,
Manukau 2163,
New Zealand

tel: (09) 2730660
fax: (09) 2730580
email: customer.care@fp.co.nz

Fisher & Paykel Customer Services Pty Ltd
PO Box 798, Cleveland, QLD 4163
A.C.N. 003 3335 171
19 Enterprise Street
Cleveland, QLD 4163
Australia

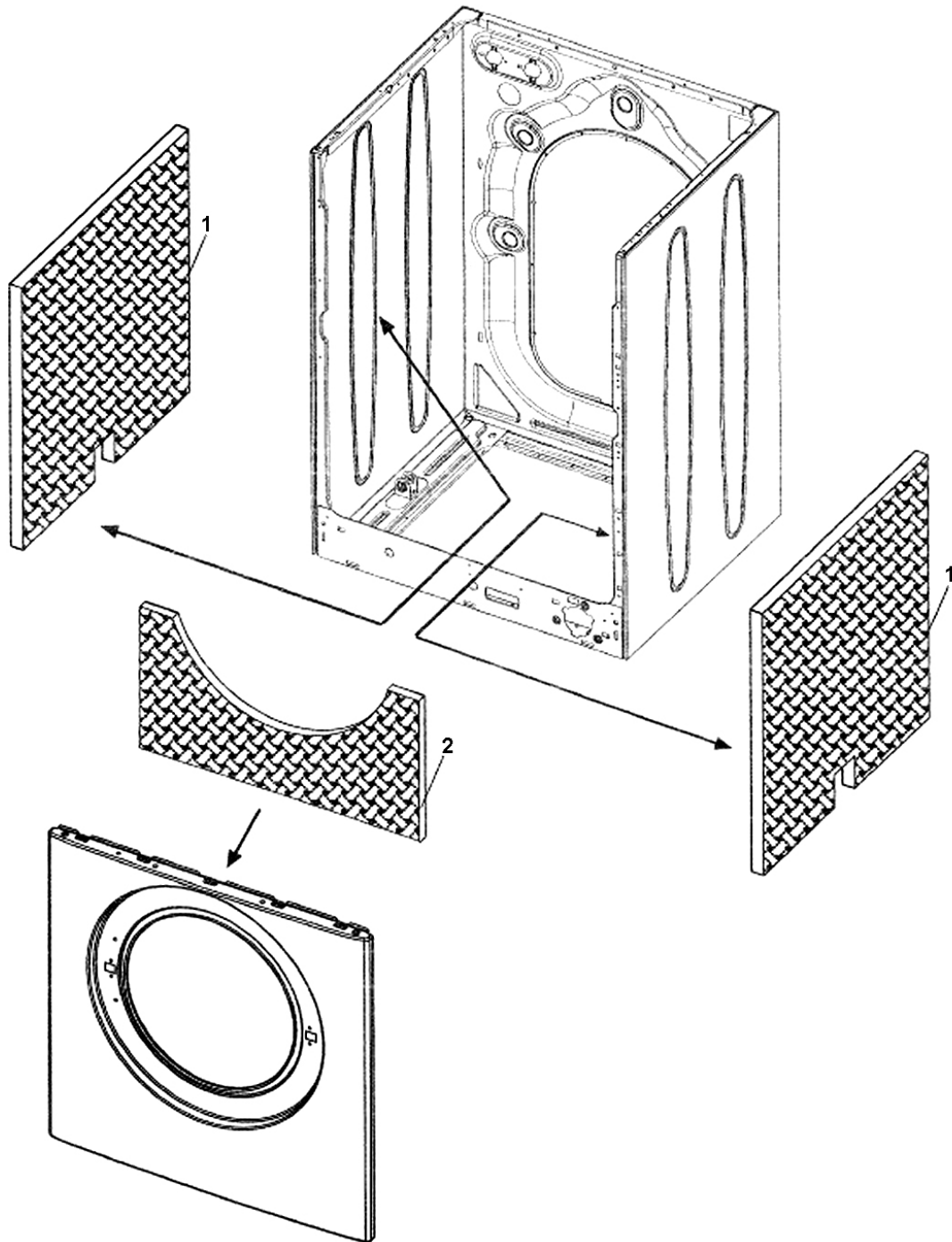
tel: 07 3826 9100
fax: 07 3826 9164

4 CABINET AREA



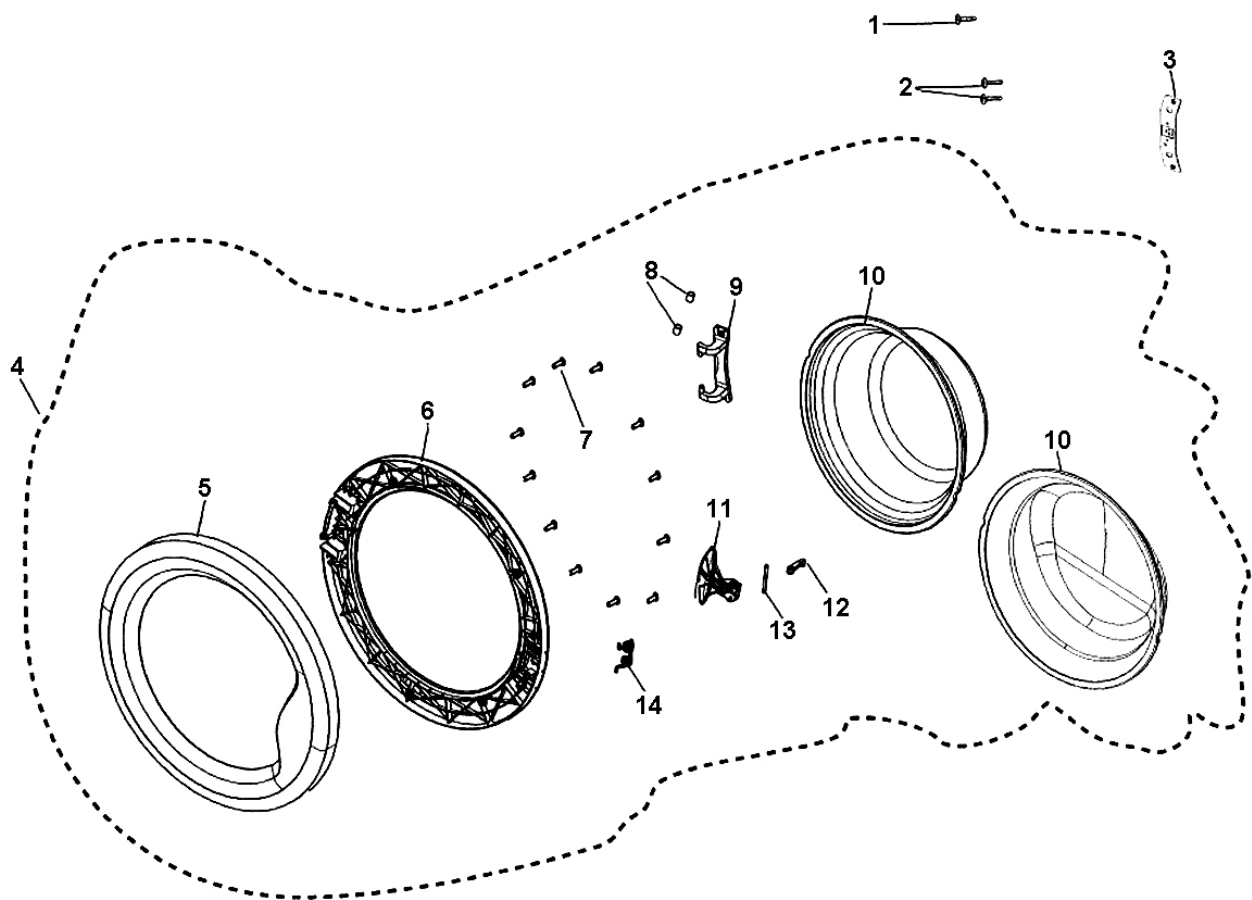
24REF.	PART NUMBER	PART DESCRIPTION
1	790399	SCREW
2	790299	COVER REAR
3	790311	HOLDER SPRING
4	790308	CAP COVER REAR
5	NOT USED	ITEM NOT USED IN THIS MODEL
6	790307	LOCK TRANSPORT REAR
7	790747	HOLDER DISCHARGE HOSE
8	790373	HOLDER FRONT PANEL
9	791810	CABINET ASSEMBLY WH70
10	790717	FOOT ADJUSTABLE ASSY
NI	790772	FLAP CHASSIS

6 CABINET INSULATION



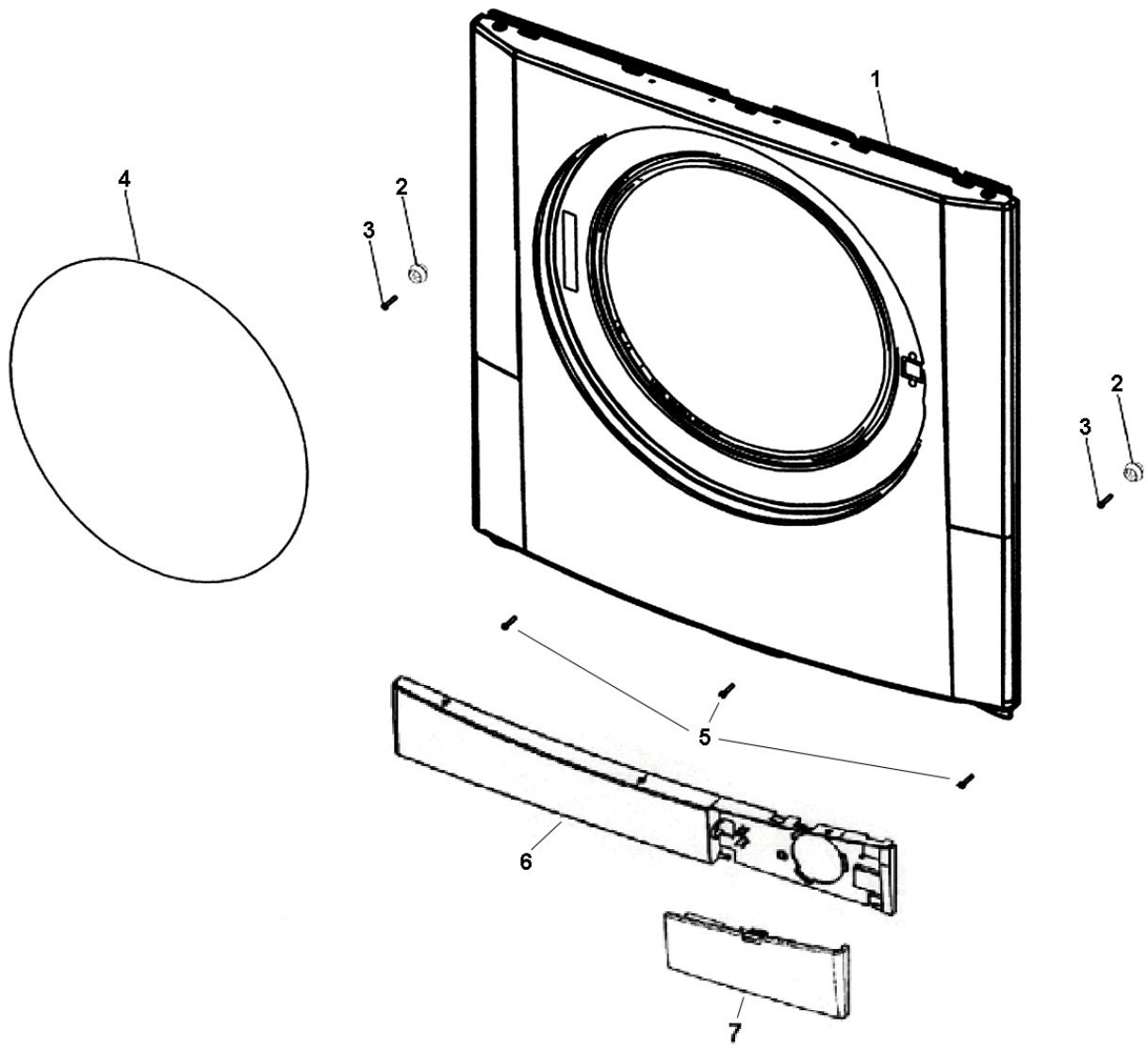
REF.	PART NUMBER	PART DESCRIPTION
1	790753	PANEL SIDE SOUND DEADEN WH70
2	790465	PANL FRNT SOUND DEADN WH70F/80

8 DOOR AREA

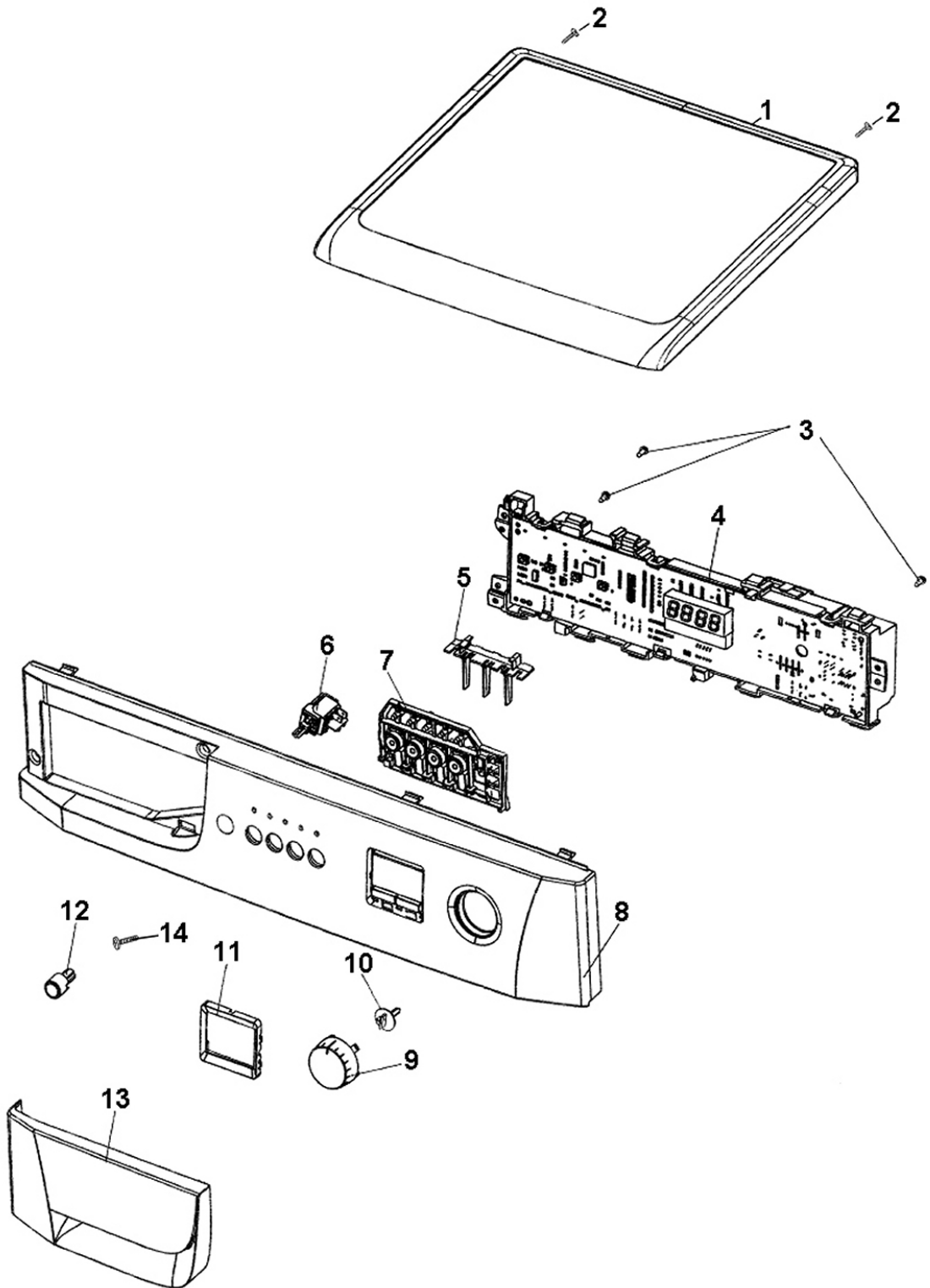


REF.	PART NUMBER	PART DESCRIPTION
1	790374	SCREW 4.2X9.5
2	790312	BOLT AM5X10 DIN 7985 4.8-H
3	791737	HINGE SUPPORT
4	791941	DOOR ASSY SILVER WH80F60WV1
5	791945	COVER DOOR OUTER SILVER
6	790714	COVER DOOR INNER
7	790340	SCREW 4X14
8	790467	BUSH HINGE DOOR WH70/60F/80
9	790716	HINGE DOOR
10	790713	PORTHOLE DOOR WH70/80
11	791946	HANDLE SILVER WH80F60WV1
12	790363	HOOK DOOR LOCK
13	790364	PIN DOOR LOCK
14	790459	SPRING DOOR LATCH WH70/60F/80

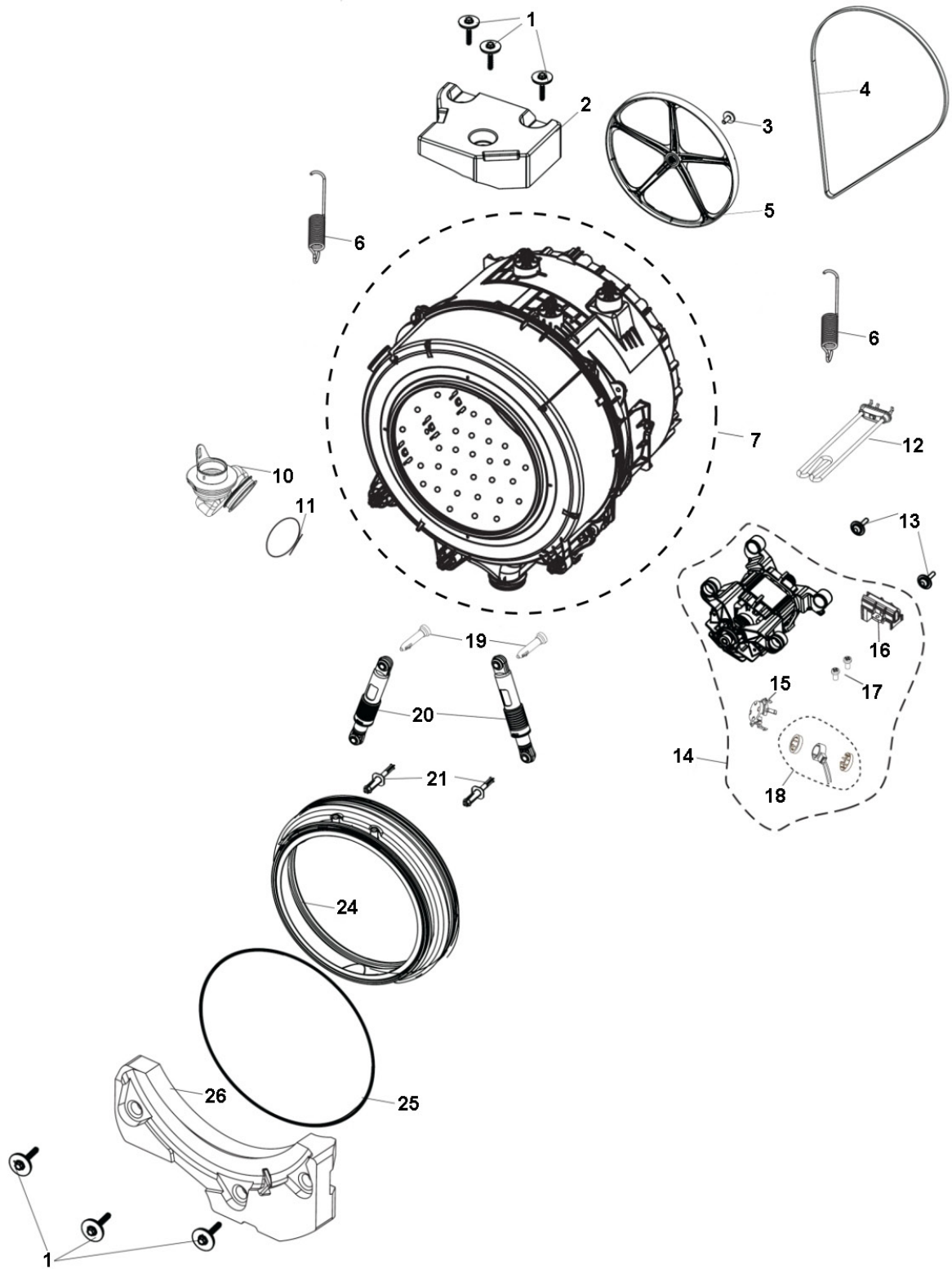
10 FRONT PANEL AREA



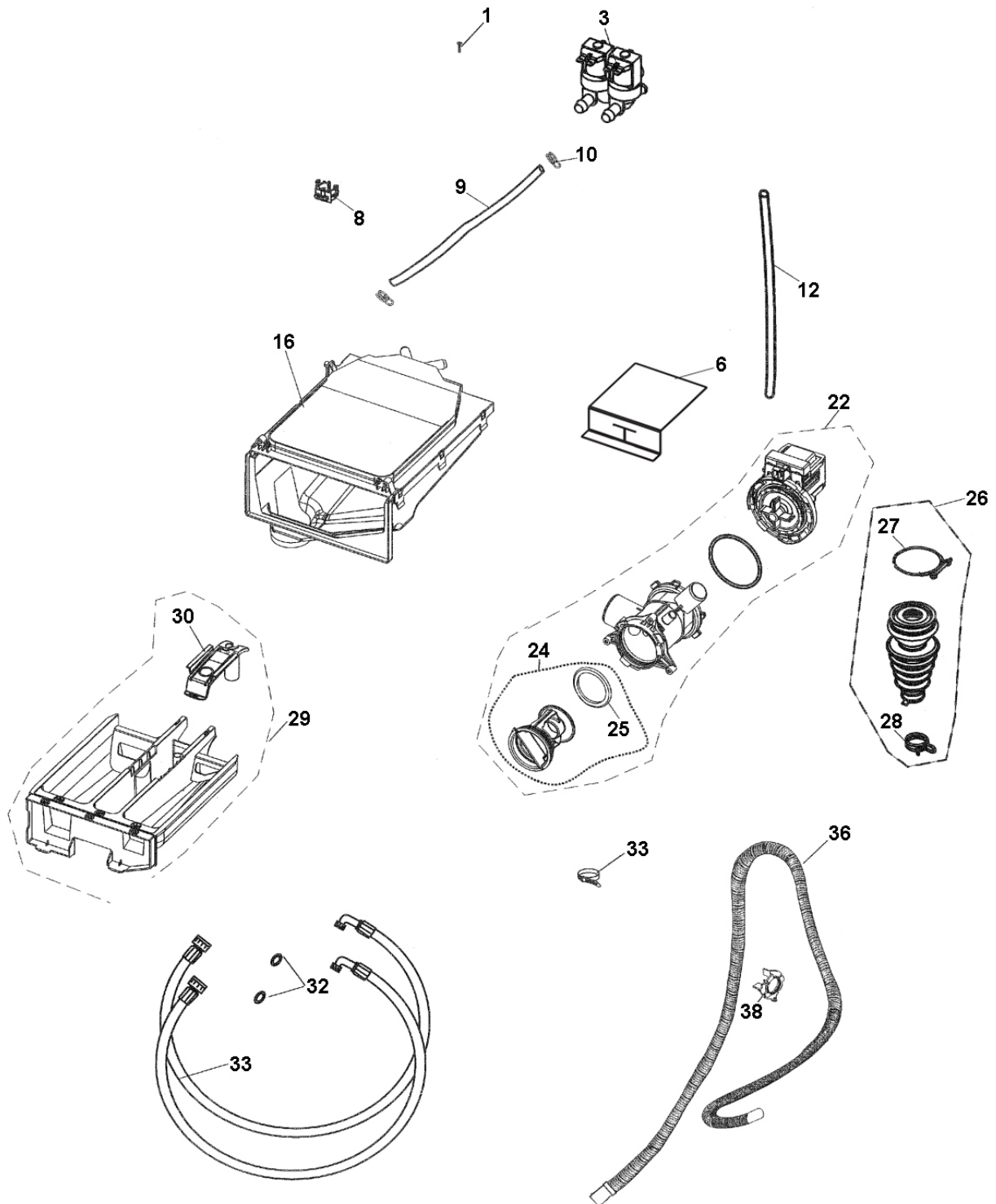
REF.	PART NUMBER	PART DESCRIPTION
1	791971	PANEL FRONT WH80/70/60 V1
2	790371	CLIP FRONT PANEL
3	790309	SCREW B4.2X13 DIN 7981-H
4	791799	CLAMP CABINET BELLOWS
5	790399	SCREW
6	790365	KICKPLATE
7	790398	COVER KICKPLATE



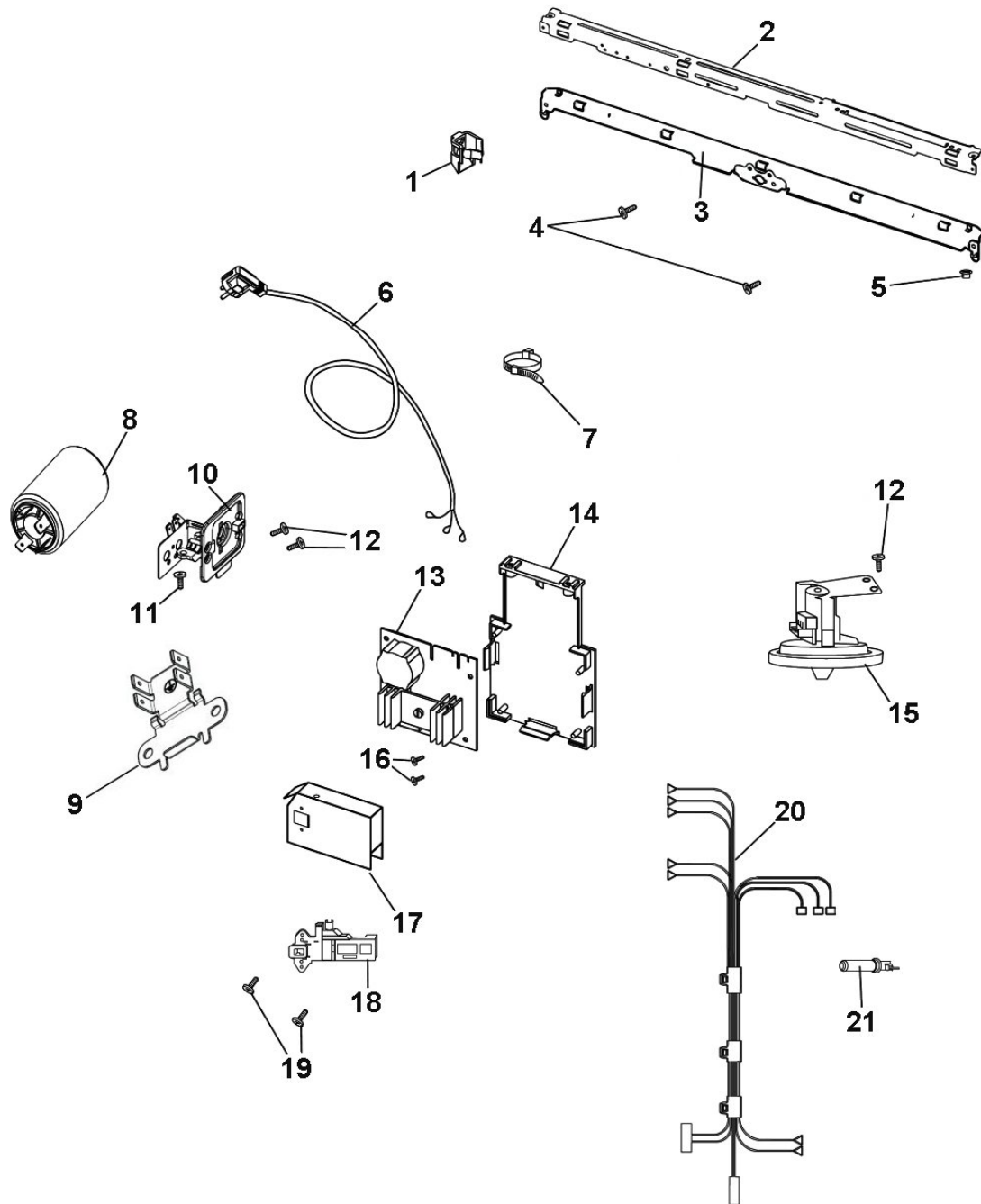
REF.	PART NUMBER	PART DESCRIPTION
1	790699	PANEL CABINET TOP WH70
2	790374	SCREW 4.2X9.5
3	790384	SCREW 3.5X10
4	791812	BOARD MAIN ASSY WH70
5	790750	REFLECTOR
6	790436	SWTCH PUSH TO STRT WH70/60F/80
7	790771	BUTTONS FUNCTION ASSY
8	791972	COVER FRONT PANEL WH70
9	791947	KNOB TIMER SILVER
10	791786	SHAFT TIMER KNOB WH60/70/80
11	790758	FRAME GLASS
12	790748	BUTTON ON/OFF
13	791973	COVER DETERGENT DRAWER WH70
14	790340	SCREW 4X14
NI	791802	MANUAL USER WH60/70/80



REF.	PART NUMBER	PART DESCRIPTION
1	790727	BOLT COUNTERWEIGHT
2	790719	COUNTERWEIGHT UPPER WH70
3	791942	SCREW PULLEY FIXING
4	790723	BELT POLY-V
5	790722	PULLEY
6	790720	SPRING SUSPENSION WH70/80
7	791967	DRUM ASSY WH70 V1
10	790731	HOSE TUB INLET
11	790759	CLAMP PLASTIC
12	790769	HEATER ASSY
13	790724	SCREW MOTOR MOUNTING
14	790725	MOTOR WH70/80
15	790475	COVER TACHOMETER
16	791952	CARBON BRUSH L24MF7-39MM
17	790476	SCREW MOTOR BUSH TAPTITE M4X10
18	791953	TACHOMETER (COMPAGNARO)
19	790329	PIN SHOCK ABSORBER
20	790726	SHOCK ABSORBER
21	790775	PIN SHOCK ABSORBER BOTTOM
24	790721	BELLOWS DOOR WH70/80
25	790320	CLAMP DOOR HOOD
26	791944	COUNTERWEIGHT LOWER



REF.	PART NUMBER	PART DESCRIPTION
1	791327	SCREW PLASTIC 3X6
3	792343	VALVE INLET
NI	792345	HARNESS ADAPT INLET VALVE (Refer Technical Bulletin S-FAWF-11-02)
6	791787	COVER PUMP WH60/70/80
8	790747	HOLDER DISCHARGE HOSE
9	790760	HOSE DISPENSER LONG WH70
10	790768	CLAMP HOSE 14.8
12	790729	HOSE AIR PIPE
16	790733	DISPENSER DETERGENT ASSY
22	790739	PUMP ASSY WH60/70
24	790752	FILTER ASSY PUMP
25	790342	SEAL PUMP FILTER
26	790762	HOSE TUB OUTLET ASSY
27	790730	CLAMP HOSE
28	790341	CLAMP HOSE
29	790742	DRAWER DETERGENT ASSY
30	790728	SIPHON DRAWER
32	790424	SEAL INLET HOSE
33	790417	HOSE INLET COLD
36	790745	HOSE DISCHARGE
38	790330	HOLDER HOSE
NI	790348	FILTER INLET HOSE
NI	790375	CLAMP HOSE 28.7
NI	791954	ELBOW DRAIN HOSE
27	791793	CLAMP PLASTIC
28	790330	HOLDER HOSE



REF.	PART NUMBER	PART DESCRIPTION
1	790423	HOLDER CABLE
2	791807	BRACKET PANEL SUPPORT
3	790774	BRACKET BOTTOM SUPPORT
4	790836	SCREW 4.2X9.5
5	NS	NOT AVAILABLE AS A SPARE PART
6	792397	CABLE SUPPLY
7	791793	CLAMP PLASTIC
8	792339	SUPPRESSOR INTERFERENCE
NI	792344	HARNESS ADAPTER RFI CAP (Refer Technical Bulletin S-FAWF-11-02)
9	792396	TERMINAL BRACKET
10	791789	TERMINAL BLOCK MAINS
11	790390	SCREW 4X10
12	790399	SCREW
13	790473	MODULE DC UNIT WH70F/80
14	790471	HOLDER MODULE DC WH70F/80
15	792342	PRESSURE SWITCH
NI	792346	HARNESS ADAPT PRESSURE SWITCH (Refer Technical Bulletin S-FAWF-11-02)
16	790340	SCREW 4X14
17	790477	PROTECTION MOISTURE DOOR LOCK
18	792341	LOCK DOOR
19	790379	SCREW TUB
20	792337	HARNESS ASSY WH7
21	791794	NTC
NI	791813	CLAMP CABLE WH70

Fisher & Paykel
appliances

customer care™

www.fisherpaykel.co.nz
www.fisherpaykel.com.au

Fisher & Paykel

Copyright © Fisher & Paykel 2012. All rights reserved.

The product specifications in this booklet apply to the specific products and models described at the date of issue. Under our policy of continuous product improvement, these specifications may change at any time. You should therefore check with your Dealer to ensure this booklet correctly describes the product currently available.