

Fisher & Paykel

FRONTLOADING Washing Machine

WH80F60WV1 FP AA

Product Code: 98736

Parts Manual

Brand:	Fisher & Paykel
Voltage:	220-240V, 50Hz
Model:	WH80F60WV1 FP AA
Product Code:	98736

Models

- The model covered by this manual is listed on the front cover.
- The information detailed in this manual is subject to change without notice. The latest version is indicated by the reprint date and replaces any earlier editions.

Kit Parts

Kit components are shown in *italics*. Where a part number is shown against the descriptions for these kit components, they are also available as separate items. In addition, some parts may be supplied with these kits that are not available as separate items, and are therefore either not listed, or a part number is not shown against the part description in this manual.

Parts List Key

<i>italics</i>	Kit components or parts included are shown in italics. Refer to above notes: Kit Parts.
NI	As a part reference, indicates the part is not illustrated on the diagram.
NOT USED	As a part number, indicates the diagram part reference is not used in this manual.

CABINET AREA	4
CABINET INSULATION	6
DOOR AREA	8
FRONT PANEL AREA	10
CONTROL PANEL AREA	12
DRUM AREA	14
WATER CIRCULATION AREA	16
ELECTRICAL AREA	18

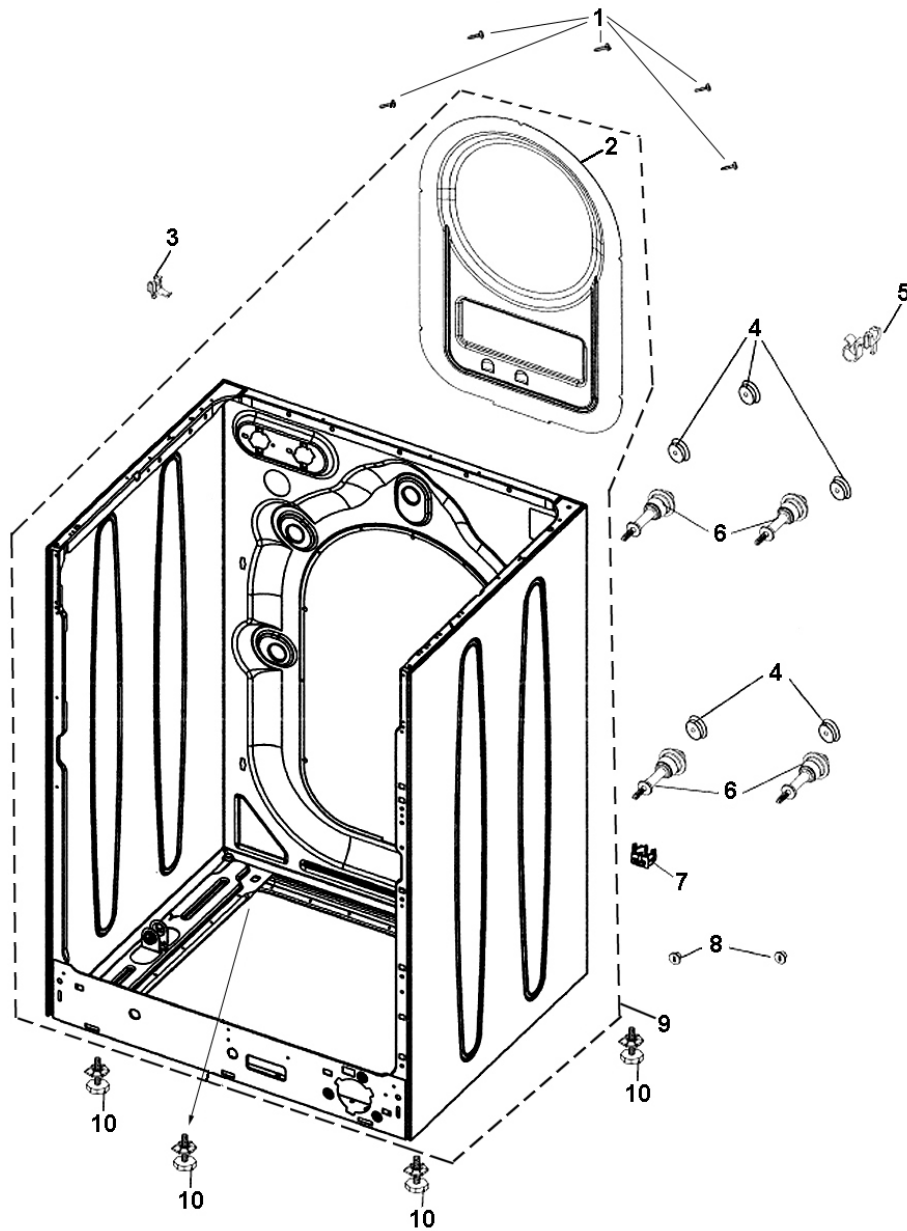
Fisher & Paykel Appliances Ltd
78 Springs Road, East Tamaki,
Manukau 2013,
PO Box 58-546, Botany,
Manukau 2163,
New Zealand

tel: (09) 2730660
fax: (09) 2730580
email: customer.care@fp.co.nz

Fisher & Paykel Customer Services Pty Ltd
PO Box 798, Cleveland, QLD 4163
A.C.N. 003 3335 171
19 Enterprise Street
Cleveland, QLD 4163
Australia

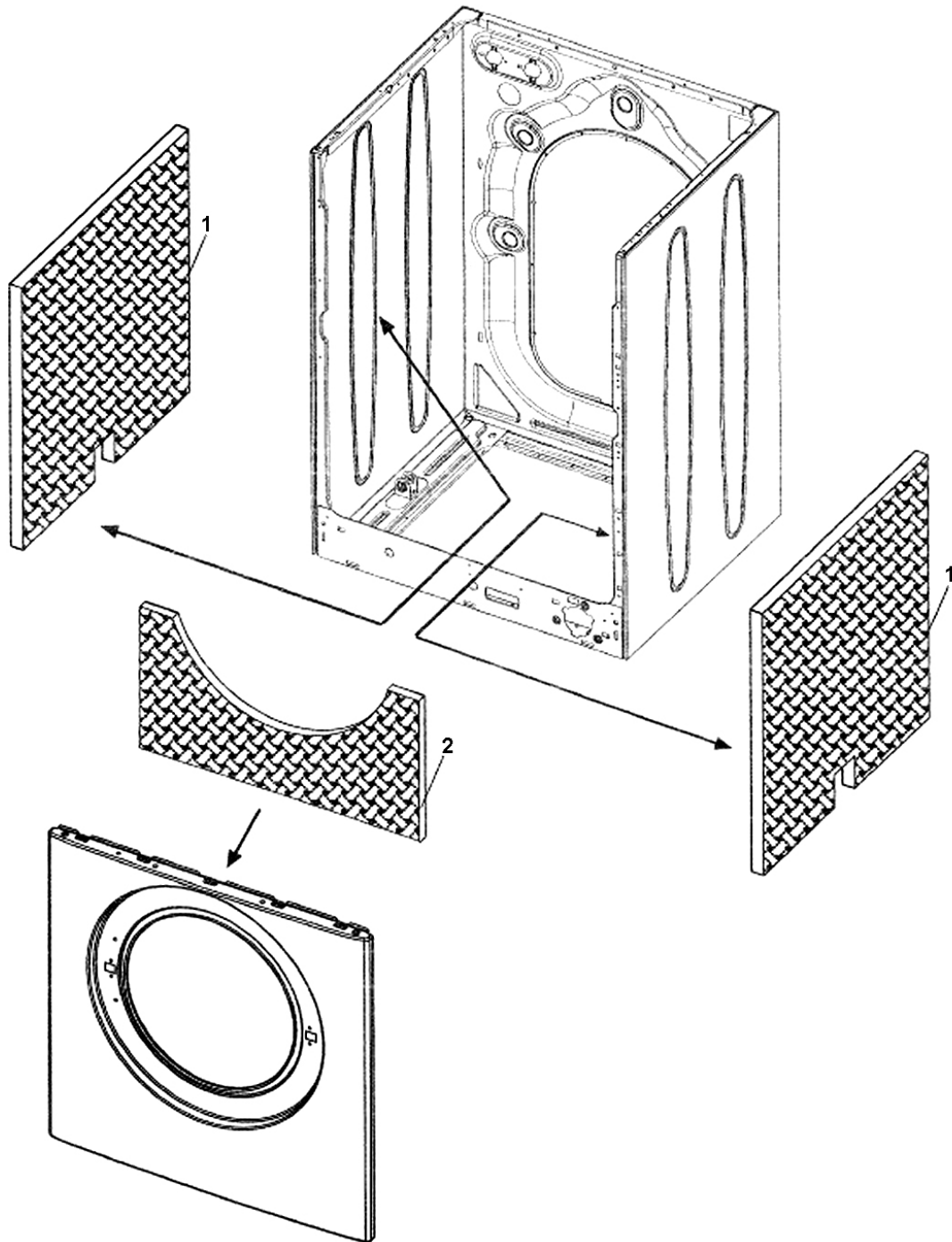
tel: 07 3826 9100
fax: 07 3826 9164

4 CABINET AREA



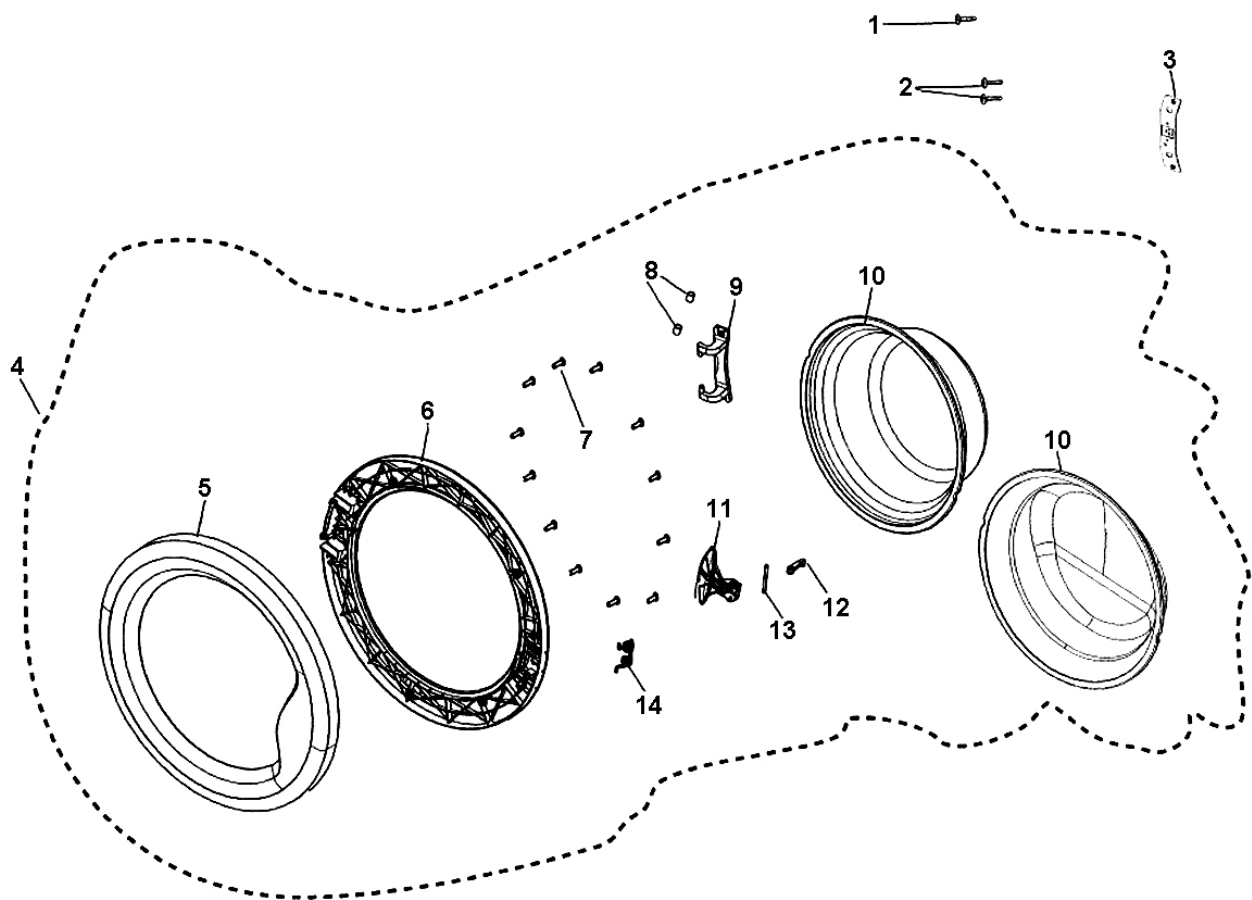
24REF.	PART NUMBER	PART DESCRIPTION
1	790399	SCREW
2	790439	COVER REAR SERVICE WH70F
3	790311	HOLDER SPRING
4	790308	CAP COVER REAR
5	NOT USED	ITEM NOT USED IN THIS MODEL
6	790307	LOCK TRANSPORT REAR
7	790747	HOLDER DISCHARGE HOSE
8	790373	HOLDER FRONT PANEL
9	791817	CABINET ASSEMBLY WH80
10	790717	FOOT ADJUSTABLE ASSY
NI	790772	FLAP CHASSIS

6 CABINET INSULATION



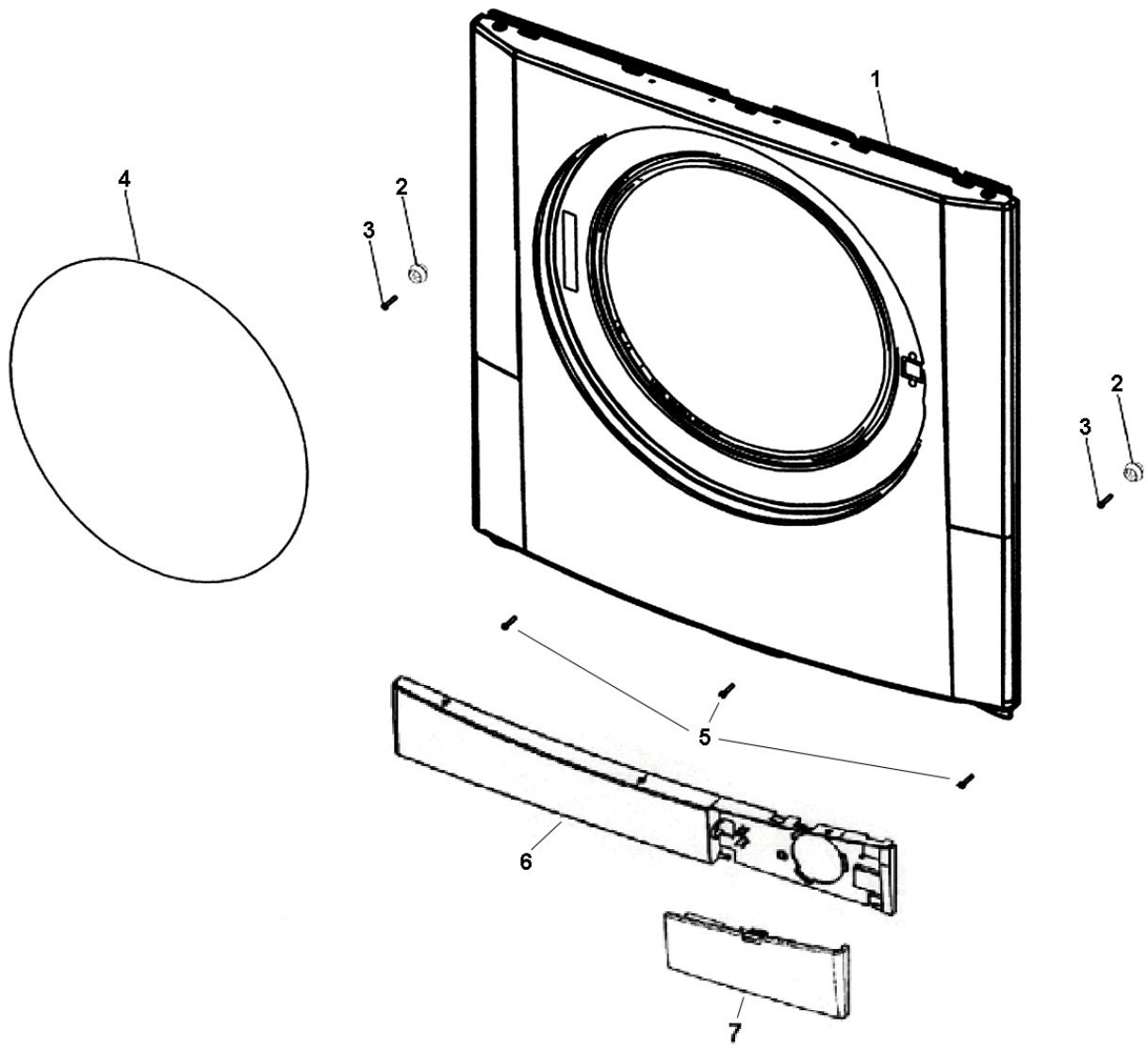
REF.	PART NUMBER	PART DESCRIPTION
1	790466	PANL SIDE SUND DEADEN WH70F/80
2	790465	PANL FRNT SOUND DEADN WH70F/80

8 DOOR AREA

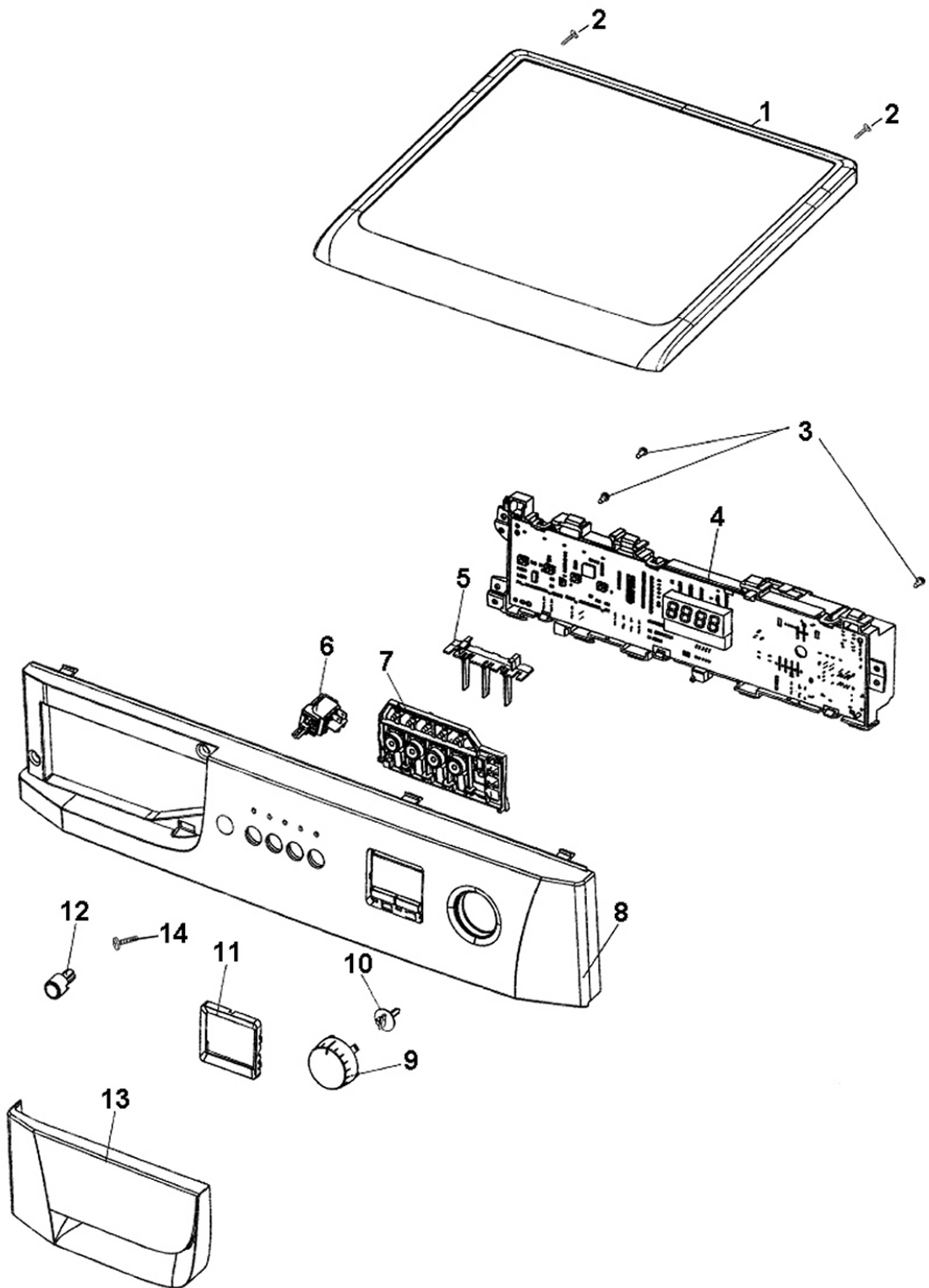


REF.	PART NUMBER	PART DESCRIPTION
1	790374	SCREW 4.2X9.5
2	790312	BOLT AM5X10 DIN 7985 4.8-H
3	790445	SUPPORT HINGE MOUNT WH70/60F/80
4	791941	DOOR ASSY SILVER WH80F60WV1
5	791945	COVER DOOR OUTER SILVER
6	790714	COVER DOOR INNER
7	790340	SCREW 4X14
8	790467	BUSH HINGE DOOR WH70/60F/80
9	790716	HINGE DOOR
10	790713	PORTHOLE DOOR WH70/80
11	791946	HANDLE SILVER WH80F60WV1
12	790363	HOOK DOOR LOCK
13	790364	PIN DOOR LOCK
14	790459	SPRING DOOR LATCH WH70/60F/80

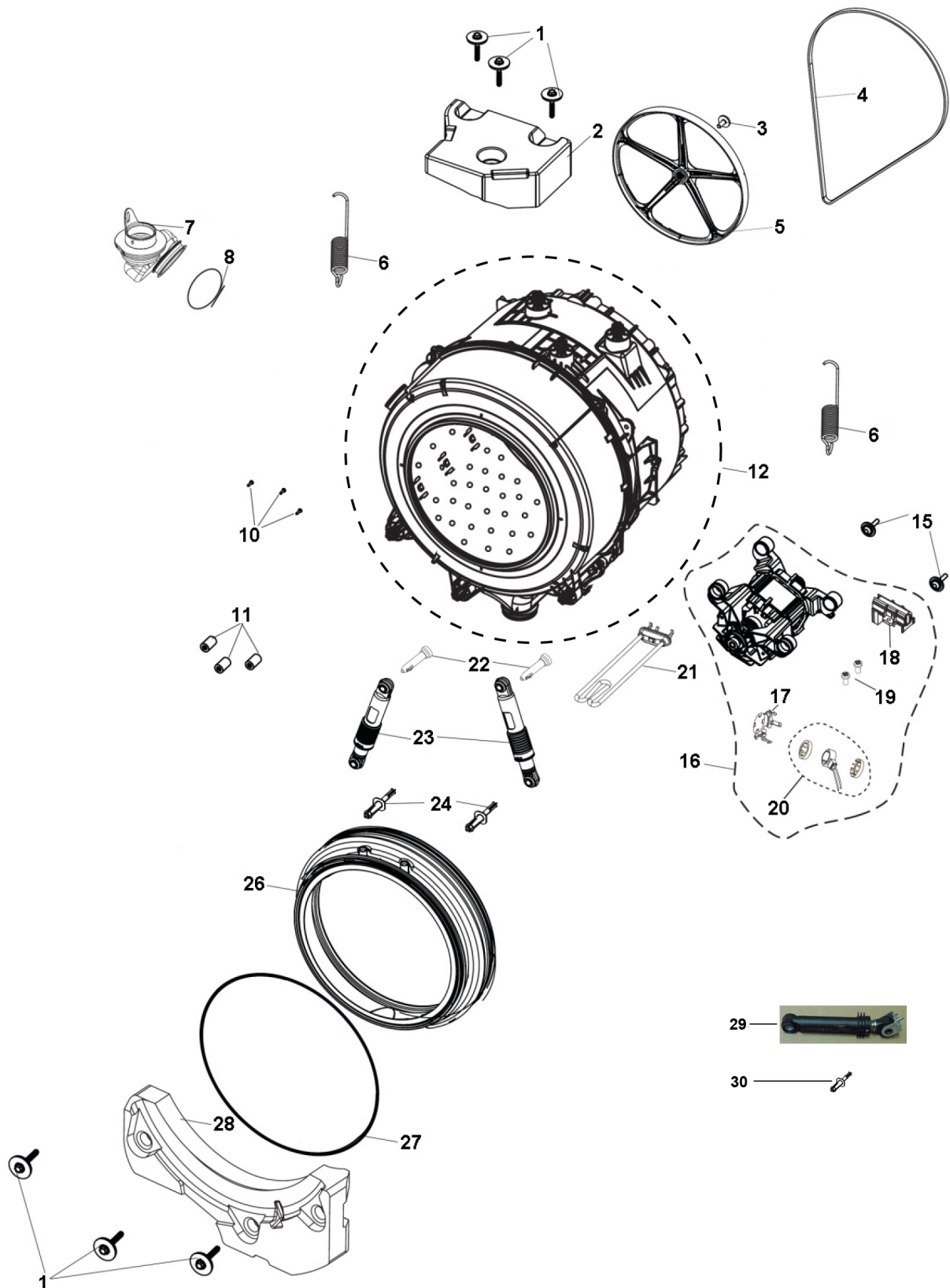
10 FRONT PANEL AREA



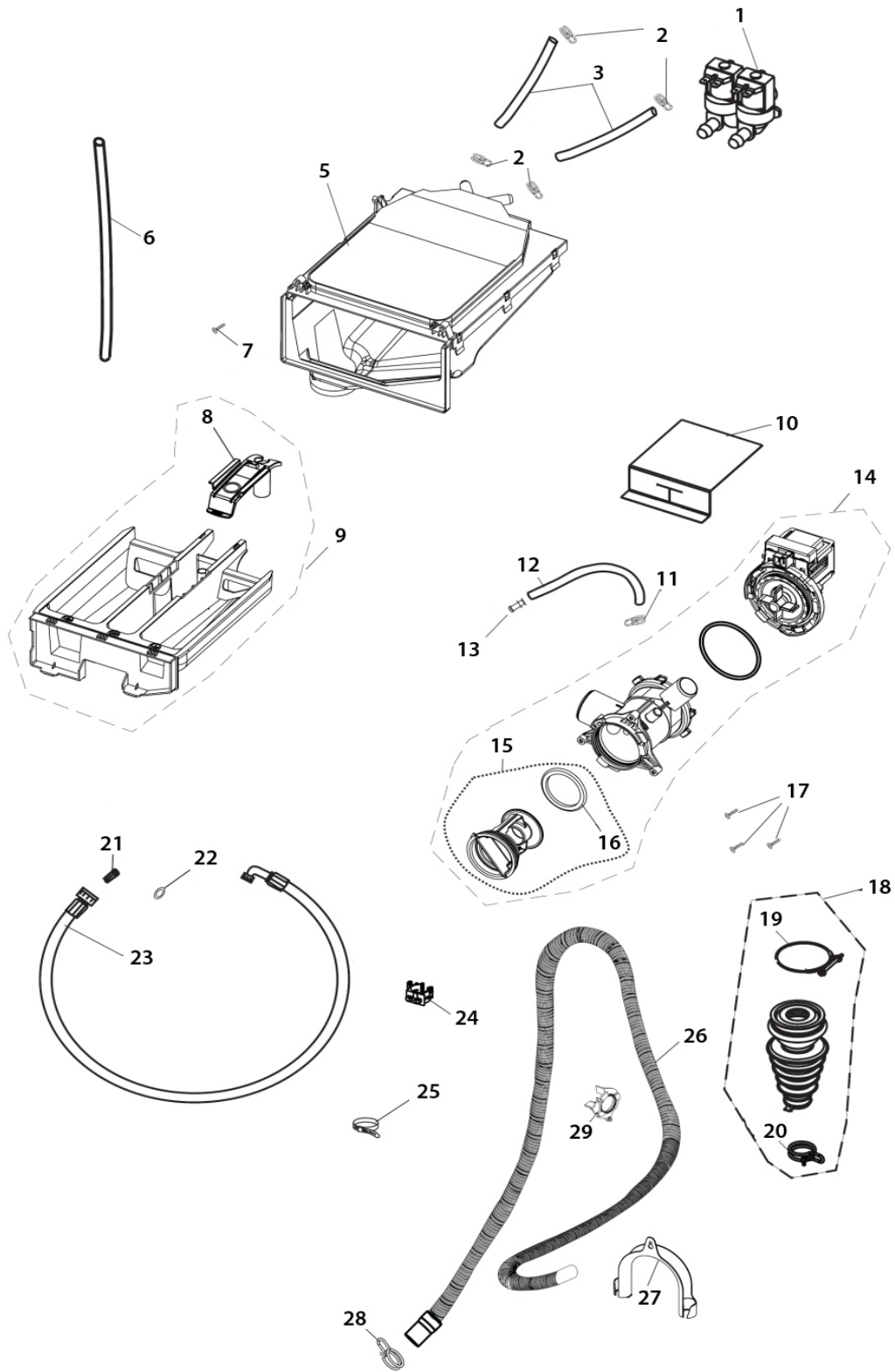
REF.	PART NUMBER	PART DESCRIPTION
1	791971	PANEL FRONT WH80/70/60 V1
2	790371	CLIP FRONT PANEL
3	790309	SCREW B4.2X13 DIN 7981-H
4	791799	CLAMP CABINET BELLOWS
5	790399	SCREW
6	790365	KICKPLATE
7	790398	COVER KICKPLATE



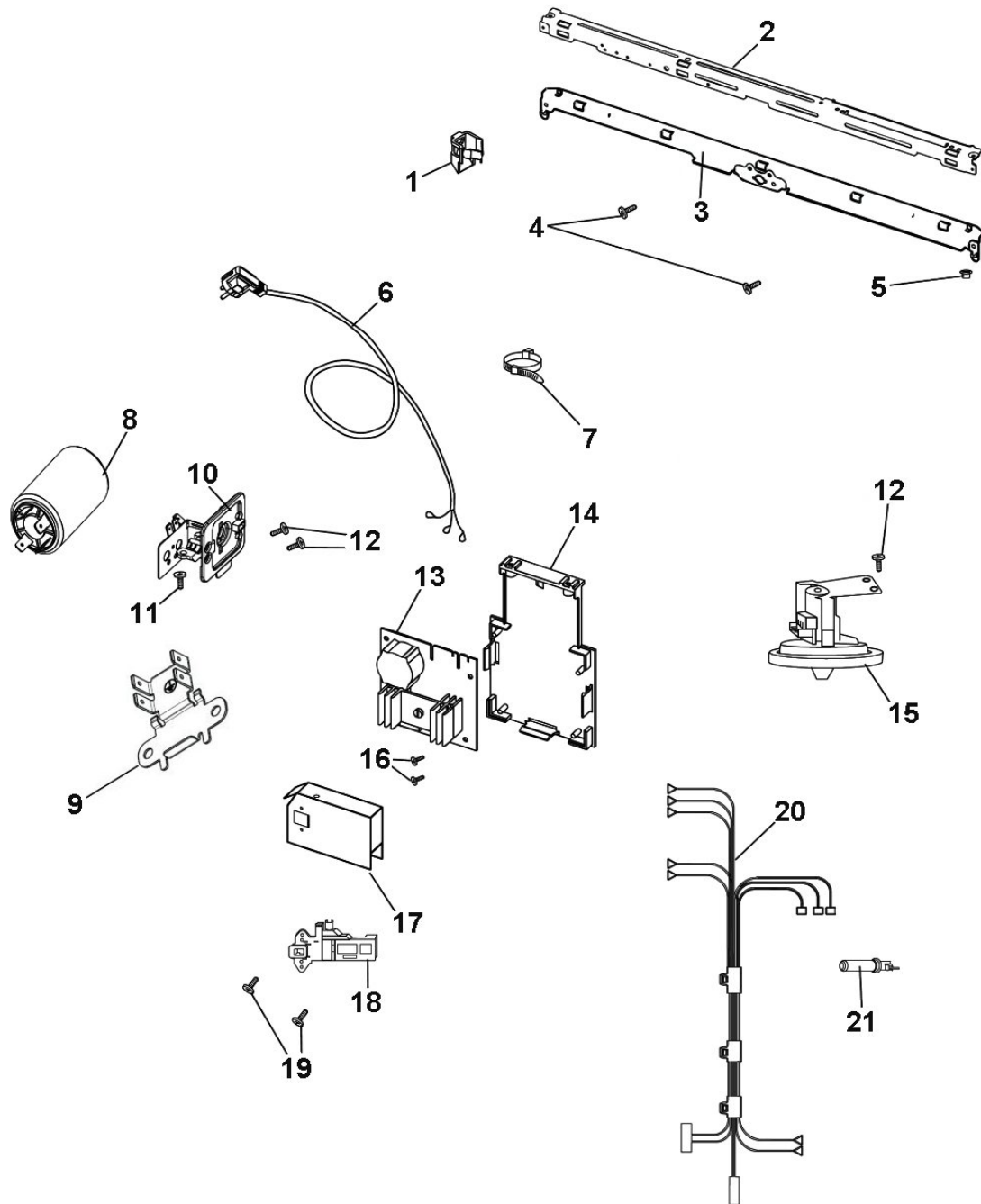
REF.	PART NUMBER	PART DESCRIPTION
1	790798	PANEL TOP ASSEMBLY WH80F
2	790374	SCREW 4.2X9.5
3	790384	SCREW 3.5X10
4	791819	BOARD MAIN ASSY WH80
5	790750	REFLECTOR
6	791966	SWITCH PUSH / START WH80/70/60
7	790771	BUTTONS FUNCTION ASSY
8	791948	PANEL CONTROL WH80 SILVER
9	791947	KNOB TIMER SILVER
10	791786	SHAFT TIMER KNOB WH60/70/80
11	790758	FRAME GLASS
12	790748	BUTTON ON/OFF
13	791949	COVER DETERGENT DR FRONT
14	790340	SCREW 4X14
NI	791802	MANUAL USER WH60/70/80



REF.	PART NUMBER	PART DESCRIPTION
1	790727	BOLT COUNTERWEIGHT
2	790782	COUNTERWEIGHT UPPER WH60/80
3	791942	SCREW PULLEY FIXING
4	790723	BELT POLY-V
5	790800	PULLEY DRUM WH80
6	790720	SPRING SUSPENSION WH70/80
7	790731	HOSE TUB INLET
8	790759	CLAMP PLASTIC
10	791943	SCREW 4X14
11	790400	CUSHION RUBBER
12	791950	DRUM ASSY WH80 V1
15	791951	MOTOR BOLT MOUNTING
16	790725	MOTOR WH70/80
17	790475	COVER TACHOMETER
18	791952	CARBON BRUSH
19	790476	SCREW MOTOR BUSH TAPTITE M4X10
20	791953	TACHOMETER (COMPAGNARO)
21	790769	HEATER ASSY
22	790329	PIN SHOCK ABSORBER
23	790726	SHOCK ABSORBER
24	790775	PIN SHOCK ABSORBER BOTTOM
26	790721	BELLOWS DOOR WH70/80
27	790320	CLAMP DOOR HOOD
28	790801	COUNTERWEIGHT LOWER
29	792334	SHOCK ABSORBER
30	792335	SHOCK ABSORBER PIN



REF.	PART NUMBER	PART DESCRIPTION
1	792343	VALVE INLET
NI	792345	HARNES ADAPT INLET VALVE (Refer Technical Bulletin S-FAWF-11-02)
2	790768	CLAMP HOSE 14.8
3	790453	HOSE DISPENSER WH70F/80
5	790733	DISPENSER DETERGENT ASSY
6	790332	HOSE AIR PIPE
7	790340	SCREW 4X14
8	790728	SIPHON DRAWER
9	790742	DRAWER DETERGENT ASSY
10	791787	COVER PUMP WH60/70/80
11	790380	CLAMP HOSE
12	790381	HOSE EMERGENCY DRAIN
13	791828	STOPPER HOSE
14	790804	PUMP ASSEMBLY
15	790752	FILTER ASSY PUMP
16	790342	SEAL PUMP FILTER
17	790390	SCREW 4X10
18	790762	HOSE TUB OUTLET ASSY
19	790730	CLAMP HOSE
20	790341	CLAMP HOSE
21	790348	FILTER INLET HOSE
22	790424	SEAL INLET HOSE
23	790417	HOSE INLET COLD
24	790747	HOLDER DISCHARGE HOSE
25	791793	CLAMP PLASTIC
26	791827	HOSE DISCHARGE WH80
27	791954	SUPPORT DRAIN HOSE DW60
28	790375	CLAMP HOSE 28.7
29	790330	HOLDER HOSE



REF.	PART NUMBER	PART DESCRIPTION
1	790423	HOLDER CABLE
2	791807	BRACKET PANEL SUPPORT
3	790774	BRACKET BOTTOM SUPPORT
4	790374	SCREW 4.2X9.5
5	790373	HOLDER FRONT PANEL
6	792397	CABLE SUPPLY
7	791793	CLAMP PLASTIC
8	792339	SUPPRESSOR INTERFERENCE
9	792396	TERMINAL BRACKET
NI	792344	HARNESS ADAPT RFI CAP (Refer Technical Bulletin S-FAWF-11-02)
10	791789	TERMINAL BLOCK MAINS
11	790390	SCREW 4X10
12	790399	SCREW
13	790473	MODULE DC UNIT WH70F/80
14	790471	HOLDER MODULE DC WH70F/80
15	792342	PRESSURE SWITCH
NI	792346	HARNESS ADAPT PRESSURE SWITCH (Refer Technical Bulletin S-FAWF-11-02)
16	790340	SCREW 4X14
17	790477	PROTECTION MOISTURE DOOR LOCK
18	792341	LOCK DOOR
19	790379	SCREW 4.5X12
20	792338	HARNESS ASSY WH8
21	791794	NTC
NI	791813	CLAMP CABLE WH70

Fisher & Paykel
appliances

customer care™

www.fisherpaykel.co.nz
www.fisherpaykel.com.au

Fisher & Paykel

Copyright © Fisher & Paykel 2012. All rights reserved.

The product specifications in this booklet apply to the specific products and models described at the date of issue. Under our policy of continuous product improvement, these specifications may change at any time. You should therefore check with your Dealer to ensure this booklet correctly describes the product currently available.