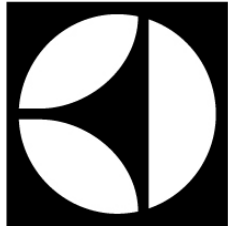


Completed document

Model: WBB3400WF

PNC: 92505315800



Electrolux

ELECTROLUX HOME PRODUCTS PTY LTD

ABN 51 004 762 341

Technical Publication N° RE1011

Issue: 2

Date: 07 / 18



PARTS LIST

WESTINGHOUSE

BASIC ELECTRONIC

F series

BOTTOM MOUNT
REFRIGERATOR / FREEZER



MODEL

WBB3400PF	PNC 925053159
WBB3400WF	PNC 925053158
WBB3700PF	PNC 925053161
WBB3700WF	PNC 925053160

Index

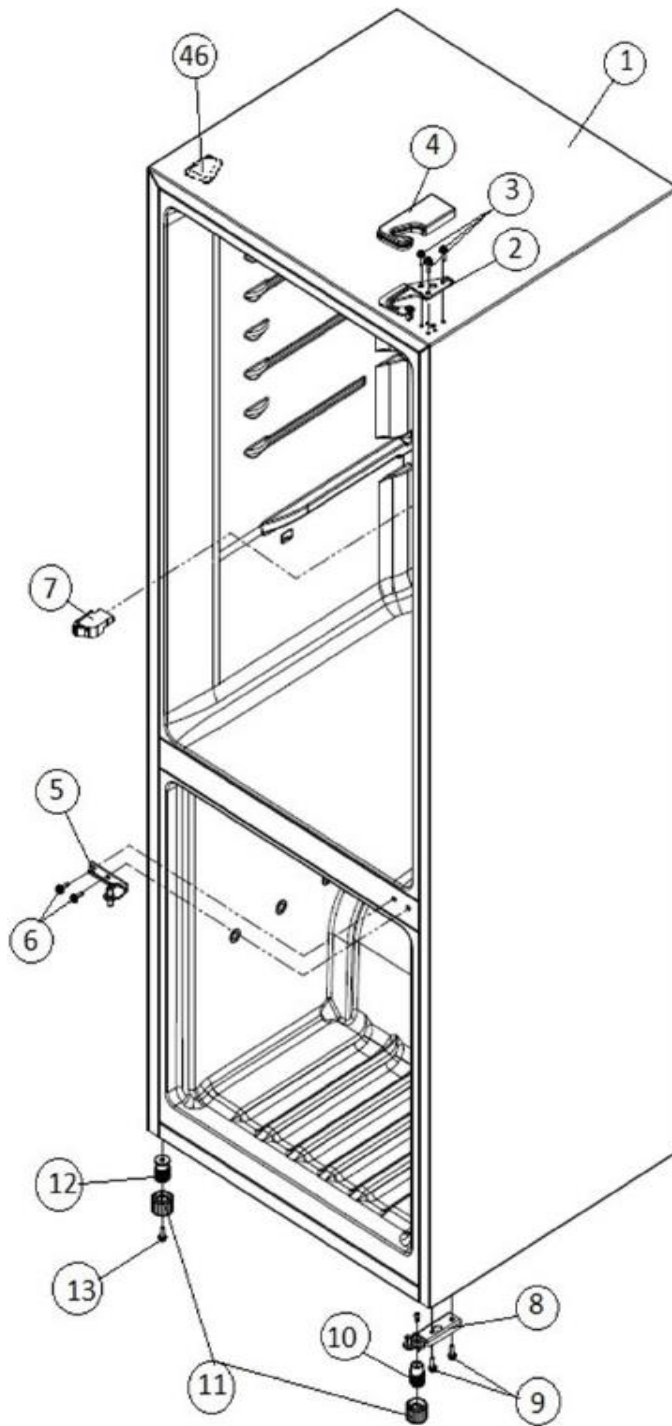
DESCRIPTION	Page
Cabinet Assembly 1 / 2 -----	4 - 5
Cabinet Assembly 2 / 2 -----	6 - 7
Cabinet Interior -----	8 - 9
Door Assembly -----	10 - 11
System Compartment Assembly -----	12 - 13

NOTICE

RE1011

Date of released is July 2018. This part list is rebuilt and combined with all associated models of the **F series.**

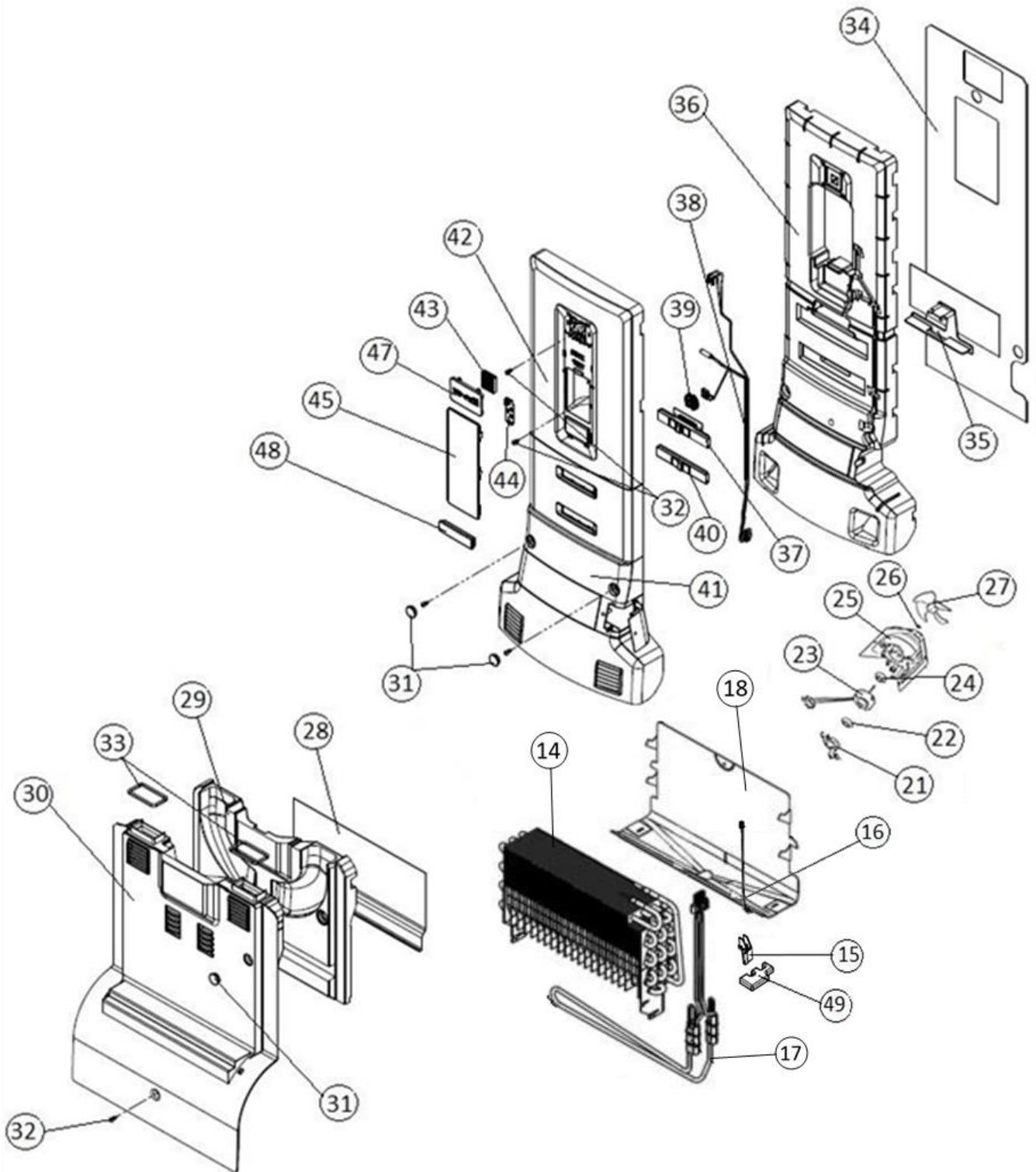
CABINET ASSEMBLY 1 / 2



CABINET ASSEMBLY 1 / 2

Item No	Part No	Description	WBB3400PF 925053159	WBB3400WF 925053158	WBB3700PF 925053161	WBB3700WF 925053160
1	N.P.N.	CABINET COMPLETE	-	-	-	-
2	811999401	HINGE TOP RIGHT	1	1	1	1
3	811949401	SCREW TRILOB M5 x 16	3	3	3	3
4	811998801	HINGE TOP COVER RIGHT GR	1	-	1	-
	811998802	HINGE TOP COVER RIGHT WHT	-	1	-	1
5	811999201	HINGE CENTRE RIGHT	1	1	1	1
6	811949401	SCREW TRILOB M5 x 16	2	2	2	2
7	811943002	SWITCH DOOR TF SINGLE	1	1	1	1
8	811999101	HINGE BOTTOM BASE RIGHT	1	1	1	1
9	811949401	SCREW TRILOB M5 x 16	2	2	2	2
10	811996201	FEET BASE HINGE	1	1	1	1
11	811998901	FEET LEVER	2	2	2	2
12	811999001	FEET BASE	1	1	1	1
13	811949401	SCREW TRILOB M5 x 16	1	1	1	1
46	811996401	COVER TOP CABINET WH GR	1	1	1	1
N.I.	811992501	FEET ASSY - INCLUDES ITEM 11, 12 & 13	1	1	1	1
N.I.	808432201	COVER MULLION GR	2	-	2	-
N.I.	808432202	PLUG MULLION WHT	-	2	-	2

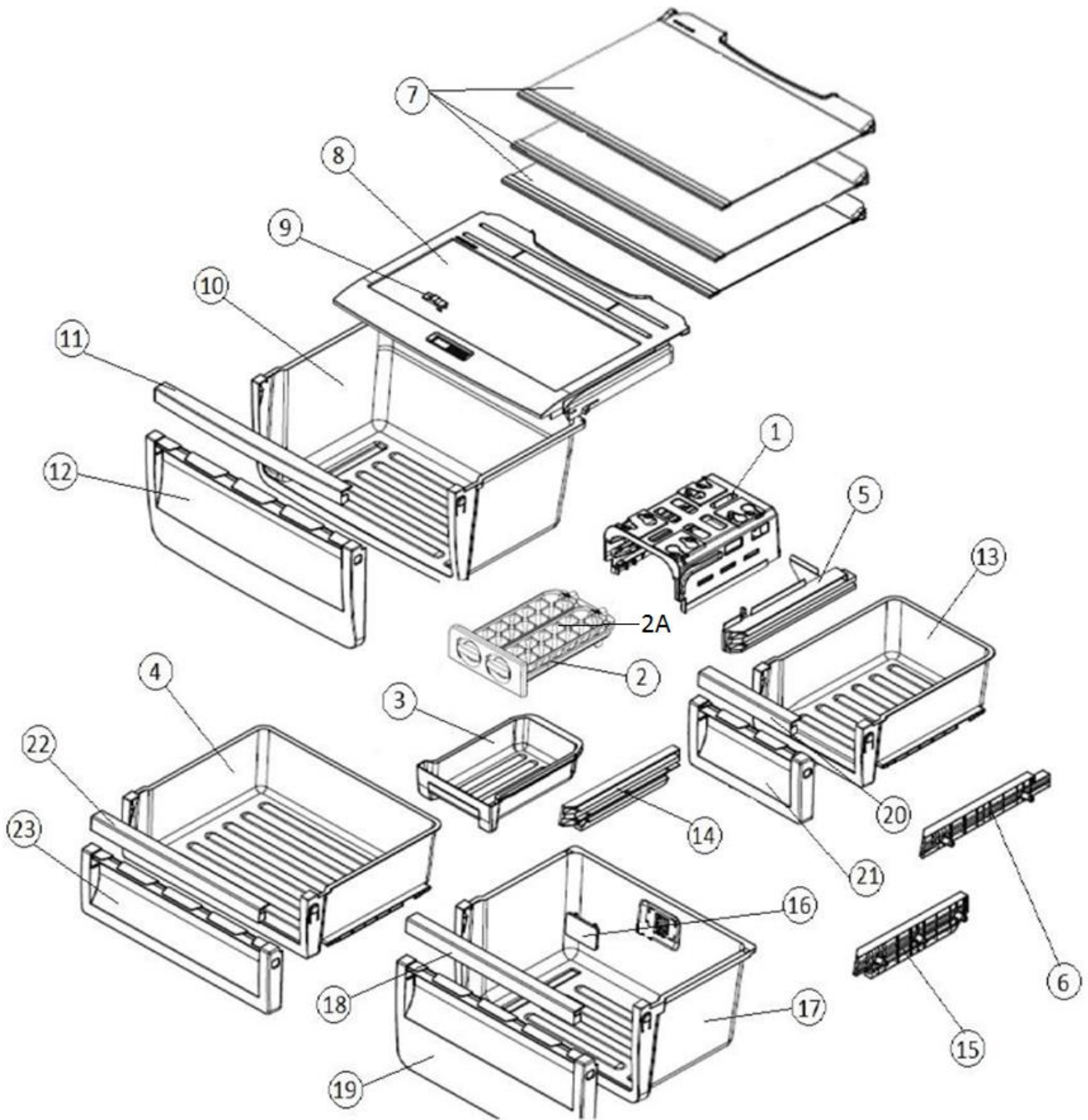
CABINET ASSEMBLY 2 / 2



CABINET ASSEMBLY 2 / 2

Item No	Part No	Description	WBB3400PF 925053159	WBB3400WF 925053158	WBB3700PF 925053161	WBB3700WF 925053160
14	811976501	EVAPORATOR ASSY WITH HEATER & TROPH	1	1	1	1
	811982801	EVAPORATOR ST 8 PASSES	1	1	1	1
15	811975101	BRACKET SENSOR BF	1	1	1	1
16	811942602	HARNESS SENSOR BF	1	1	1	1
17	811981701	HEATER DEFROST R600A 240V	1	1	1	1
18	811983001	SUPPORT HEATER BF	1	1	1	1
21	A02164801	RETAINER CLIP	1	1	1	1
22	1446048	GROMMET, FAN MOUNTING	2	2	2	2
23	811973306	MOTOR FAN L 240V / 50HZ	1	1	1	1
	811975401	FAN SHROUD ASSY 240V / 50HZ	1	1	1	1
24	A02113401	GROMMET FAN PANA DC FAN	1	1	1	1
25	811975001	SHROUD FAN BF	1	1	1	1
26	1451297	WASHER SLINGER NYLON	1	1	1	1
27	1451299	BLADE ASSY FAN	1	1	1	1
28	N.P.N.	TAPE ALUMINUM EVC REAR BF	-	-	-	-
29	811970101	DUCT EVAPORATOR MAIN BF	1	1	1	1
30	811971801	COVER EVAPORATOR ASSY BF	1	1	1	1
31	811971601	COVER SCREW	3	3	3	3
32	811949503	SCREW TRUSS 4.2 x 13	6	6	6	6
33	811948301	SEAL FOAM EVC BF	1	1	1	1
34	811909201	SEAL FOAM REAR DUCT MF BF	-	-	1	1
	811909301	SEAL FOAM REAR DUCT MF BF	1	1	-	-
35	811975201	BAFFLE SLIDER BACK BF	1	1	1	1
36	811970601	DUCT MULTIFLOW BF350L	-	-	1	1
	811970701	DUCT MULTIFLOW BF260L / 300L	1	1	-	-
37	811968802	SLIDE CONTROL TEMP BF WHT	1	1	1	1
38	A01097201	HARNESS MULTIFLOW BF BASIC	1	1	1	1
39	811968901	GEAR CONTROL TEMP	1	1	1	1
40	811974802	BAFFLE SLIDER FRONT BF WHT	1	1	1	1
41	811970902	COVER MULTIFLOW LOWER BF B	1	1	1	1
42	811971001	COVER MULTIFLOW UPPER BF 3	1	1	1	1
43	807305301	DEODORIZER BLOCK RUBYLITE	1	1	1	1
44	811943801	PCBA LIGHTING LED HSLB	1	1	1	1
45	811971501	LENS MULTIFLOW TF	1	1	1	1
47	811930401	COVER DEODORIZER WHITE	1	1	1	1
48	N.P.N.	SLIDE CONTROL TEMP	-	-	-	-
49	811975501	CLAMP CABLE PROTECTOR BF	1	1	1	1
N.I.	807326101	FOAM BUFFLE SLIDER BF	1	1	1	1
N.I.	811909401	MASTIC RUBBER	1	1	1	1
N.I.	811951701	SEAL LOWER MULTIFLOW BF	1	1	1	1
N.I.	811972801	GROMMET FAN SIDE	2	2	2	2
N.I.	811974901	BRACKET SHROUD FAN BF	1	1	1	1
N.I.	811980401	CLAMP NTC EVAPORATOR	1	1	1	1
N.I.	811981501	RETAINER THERMO FUSE	1	1	1	1

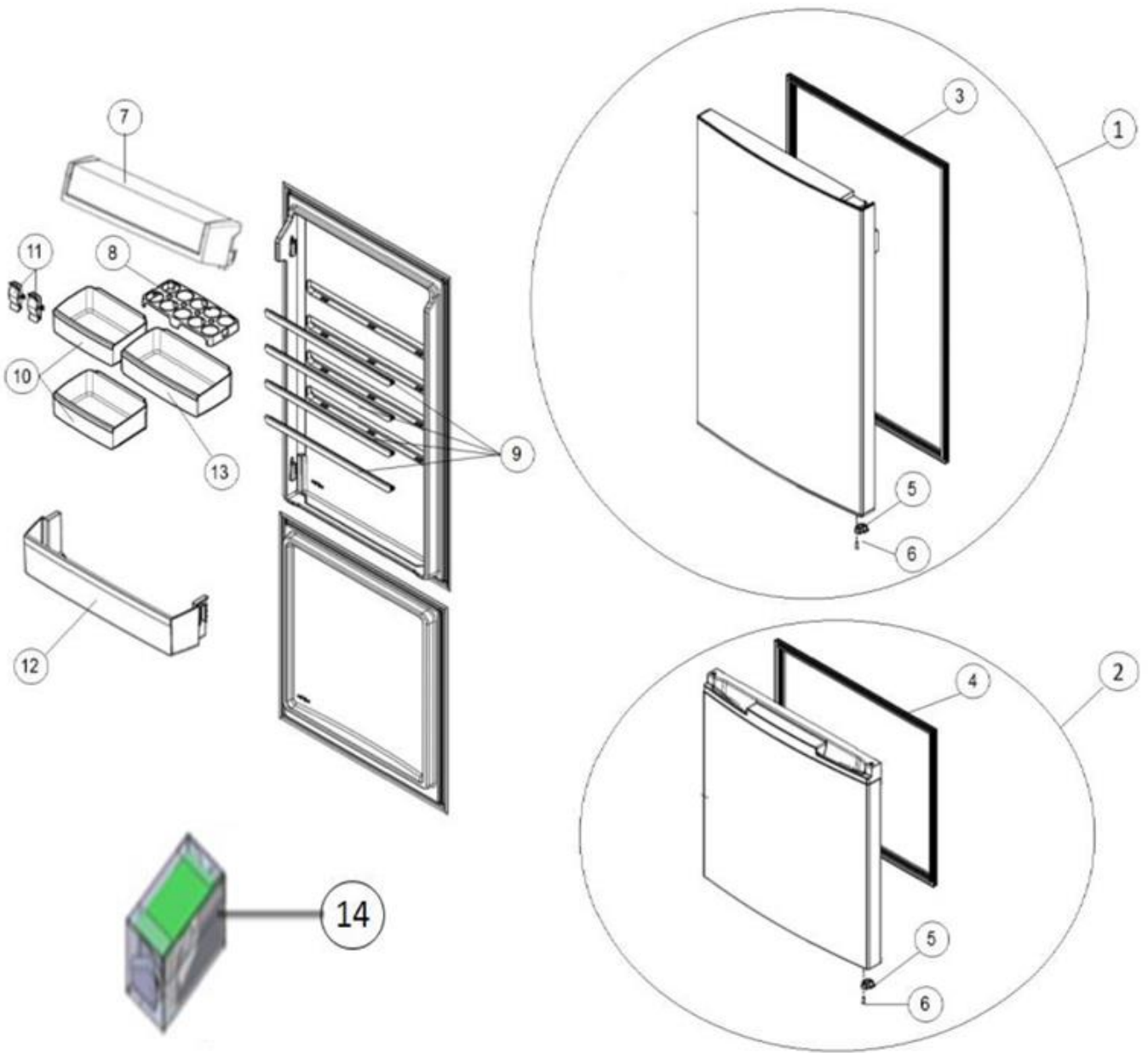
CABINET INTERIOR



CABINET INTERIOR

Item No	Part No	Description	WBB3400PF 925053159	WBB3400WF 925053158	WBB3700PF 925053161	WBB3700WF 925053160
1	811954401	SUPPORT ICE T & S ASSY BF60W	1	1	1	1
	811957001	SUPPORT ICE T & S	1	1	1	1
2	811956701	T & S ASSY WHITE	1	1	1	1
	811956801	FRAME ICE T & S - USE 811956701	1	1	1	1
2A	243262600	T & S ICE CUBE TRAY	2	2	2	2
3	811956601	BIN ICE	1	1	1	1
4	811952301	DRAWER MID BODY FZR BF60W	1	1	1	1
5	811952001	RAIL T & S SUPPORT BF60W L	1	1	1	1
6	811963501	SLIDE MEAT FZR BF60W L	1	1	1	1
7	A02623002	SHELF FC ASSY 60W	3	3	3	3
8	808026902	COVER CRISPER ASSY BF60W B	1	1	1	1
9	N.P.N.	SLIDE HUMIDIFIER - PART OF ITEM 8	-	-	-	-
10	811953801	CRISPER BODY BF60W	1	1	1	1
11	811959801	CRISPER HANDLE TF 60W	1	1	1	1
12	811953701	CRISPER FRONT BF60W	1	1	1	1
	811961601	CRISPER FRONT ASSY BF60W - INCLUDES ITEM 11	1	1	1	1
13	811952101	DRAWER MEAT BODY FZR BF60W	1	1	1	1
14	811962601	SLIDE LOWER FZR LEFT BF60W	1	1	1	1
15	811962602	SLIDE LOWER FZR RIGHT BF60W	1	1	1	1
16	811930401	COVER DEODORIZER WHITE	1	1	1	1
17	811952501	DRAWER LOWER BODY FZR BF60	1	1	1	1
18	811962301	HANDLE DRAWER FZR BF60W	1	1	1	1
19	811952701	DRAWER LOWER FRONT FZR BF	1	1	1	1
	811953401	DRAWER LOWER FRONT FZR ASSY - INCLUDES ITEM 18	1	1	1	1
20	811962201	HANDLE MEAT FZR BF60W L	1	1	1	1
21	811953501	DRAWER MEAT FRONT FZR ASSY - INCLUDES ITEM 20	1	1	1	1
22	811962301	HANDLE DRAWER FZR BF60W	1	1	1	1
23	811952401	DRAWER MID FRONT FZR BF60	1	1	1	1
	811952901	DRAWER MID FRONT FZR ASSY - INCLUDES ITEM 22	1	1	1	1
N.I.	1451543	SPRING TWIST & SERVE - PART OF ITEM 2	2	2	2	2
N.I.	243262903	KNOB ICE T & S WHITE - PART OF ITEM 2	2	2	2	2
N.I.	807305302	DEODOROZER	1	1	1	1

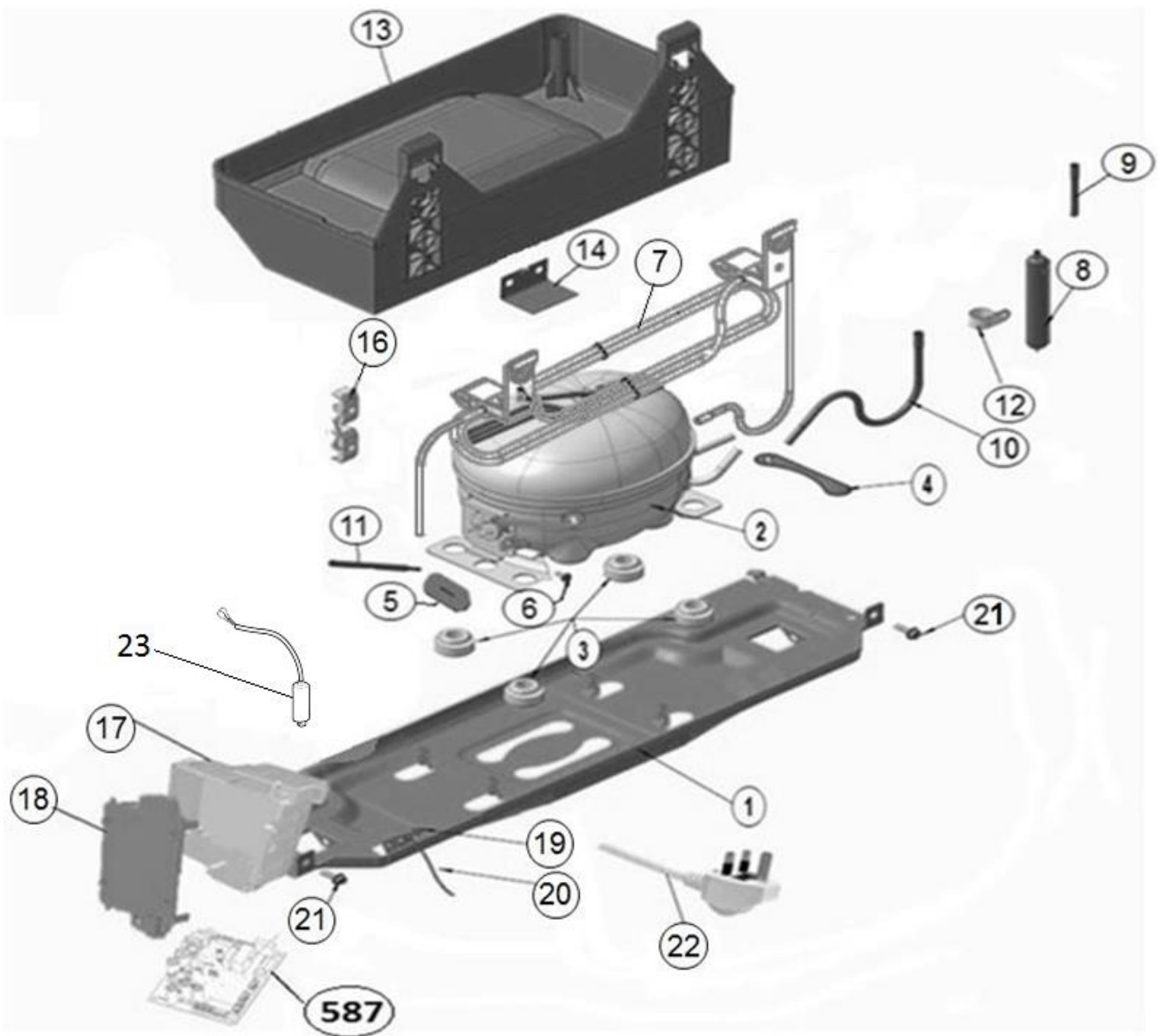
DOOR ASSEMBLY



DOOR ASSEMBLY

Item No	Part No	Description	WBB3400PF 925053159	WBB3400WF 925053158	WBB3700PF 925053161	WBB3700WF 925053160
1	811933806	DOOR FOAMED FC BF350 GR WH	-	-	1	-
	811933805	DOOR FOAMED FC BF350 WHT WH	-	-	-	1
	811933808	DOOR FOAMED FC BF320 GR WH	1	-	-	-
	811933807	DOOR FOAMED FC BF320 WHT WH	-	1	-	-
2	811932505	DOOR FOAMED FZR WH WHT 320	-	1	-	-
	811932506	DOOR FOAMED FZR WH GR 320	1	-	-	-
	811932507	DOOR FOAMED FZR WH WHT 350	-	-	-	1
	811932508	DOOR FOAMED FZR WH GR 350	-	-	1	-
3	811988511	GASKET FC BF320L	1	1	-	-
	811988512	GASKET FC BF350L	-	-	1	1
4	811988504	GASKET FZR BF60W	1	1	1	1
5	811988701	BEARING AUTO CLOSER R	2	2	2	2
6	811948801	SCREW COUNTERSUNK M4.8 x 1	2	2	2	2
7	811960902	BIN DAIRY FULL ASSY BF60W W	1	1	1	1
7A	811961801	BIN DAIRY BODY FULL BF 60 W	1	1	1	1
7B	811961902	BIN DAIRY LID FULL BF 60W W	1	1	1	1
8	807489801	TRAY EGG 10	1	1	1	1
9	811986803	RAIL DOOR SUPPORT 60W WHT	4	4	4	4
10	A02345501	BIN DOOR FLEX 1 / 2 ASSY	2	2	2	2
11	N.P.N.	CLIP BAG DOOR	-	-	-	-
12	A02345202	BIN DOOR BOTTLE WH ASSY 60W	1	1	1	1
13	A02345401	BIN DOOR FLEX 2 / 3 ASSY	1	1	2	2
14	807558001	HINGE CONVERSION KIT	1	1	1	1
N.I.	1458193	BADGE BRAND WESTINGHOUSE - PART OF ITEM 1	1	1	1	1

SYSTEM COMPARTMENT ASSEMBLY



SYSTEM COMPARTMENT ASSEMBLY

Item No	Part No	Description	WBB3400PF 925053159	WBB3400WF 925053158	WBB3700PF 925053161	WBB3700WF 925053160
1	811998401	BASE COMPRESSOR 60W	1	1	1	1
2	A03343302	COMPRESSOR EM2C40CLT	1	1	1	1
3	811978901	GROMMET COMPRESSOR	4	4	4	4
4	811998601	CLAMP COMPRESSOR	2	2	2	2
5	811975501	CLAMP CABLE PROTECTOR BF	1	1	1	1
5	N.P.N.	MOTOR BLOCK PLATE	-	-	-	-
6	A01075101	SCREW TAPPING M4 x 0.7 x 10	1	1	1	1
7	N.P.N.	TUBE PAN UNIVERSAL BF ASSY	-	-	-	-
8	1441189	DRYER	1	1	1	1
9	808293601	TUBE PROCESS	2	2	2	2
10	808536201	TUBE SUCTION EXTENSION WANBA	1	1	1	1
11	808344301	TUBE DISCHARG EXTENSION WANB	1	1	1	1
12	811978201	CLAMP DRYER	1	1	1	1
13	A02812801	PAN DRAIN EMT40	1	1	1	1
14	N.P.N.	BRACKET SUPPORT	-	-	-	-
16	808364908	CABLE CLAMP FLEX DRIVE	1	1	1	1
17	811926110	HOUSING BOX PCB ASSY BF WH - INCLUDES ITEM 18	1	1	1	1
	811968401	HOUSING BOX PCB	1	1	1	1
18	811968301	COVER BOX PCB - PART OF ITEM 17	1	1	1	1
19	807665901	SCREW TRILOB M3 x 6	1	1	1	1
20	811942902	HARNESS EARTH COMP	1	1	1	1
21	811949401	SCREW TRILOB M5 x 16	2	2	2	2
22	808830201	POWER CORD REFRIGERATOR AU / NZ F	1	1	1	1
23	811945601	CAPACITOR 4UF	1	1	1	1
587	811944110	PCBA MAIN ERF1500 BF WH - CAN USE A03083307	1	1	1	1
N.I.	811998201	ROLLER REAR	2	2	2	2
N.I.	811998301	SHAFT ROLLER	2	2	2	2