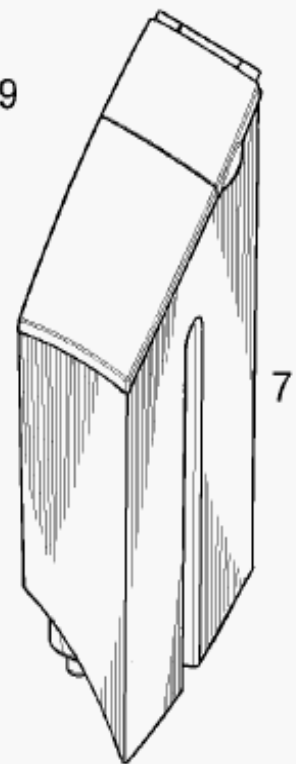
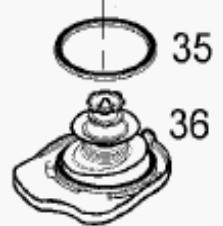
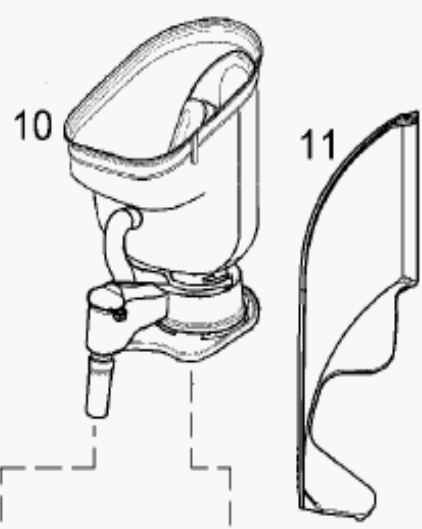
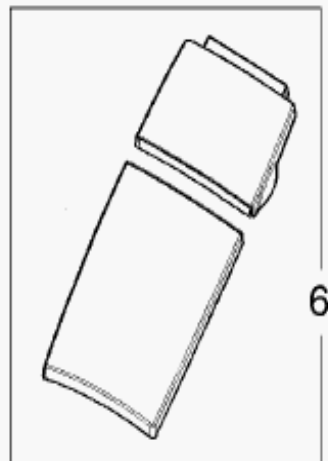
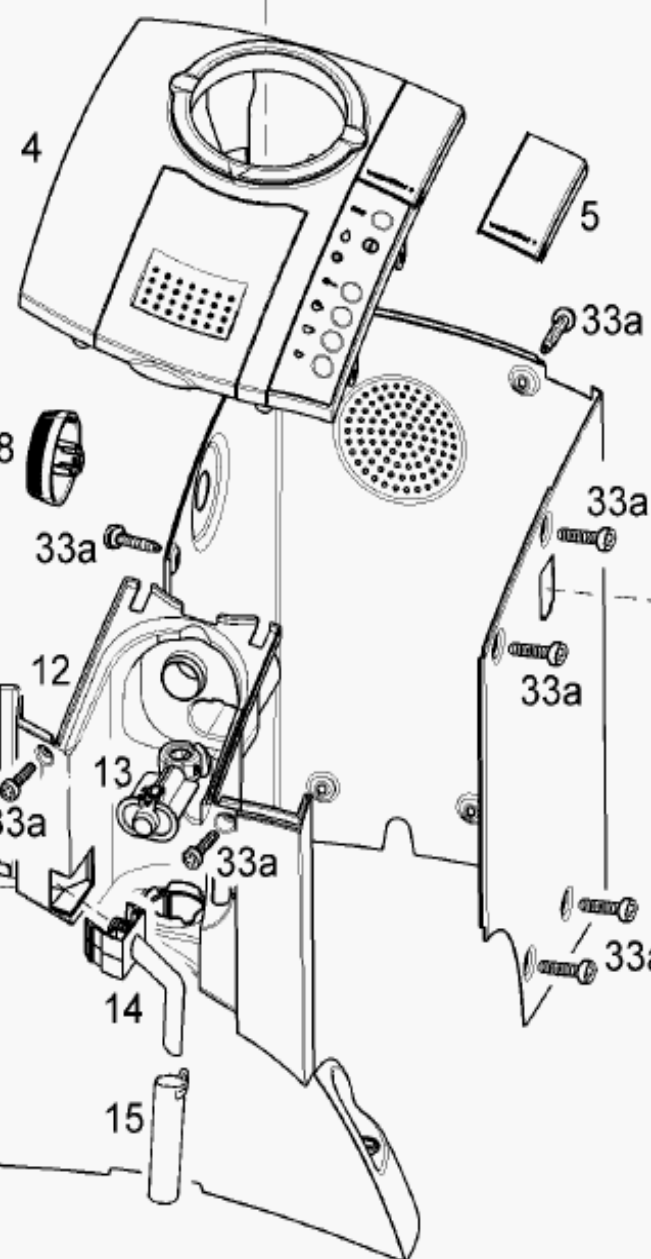
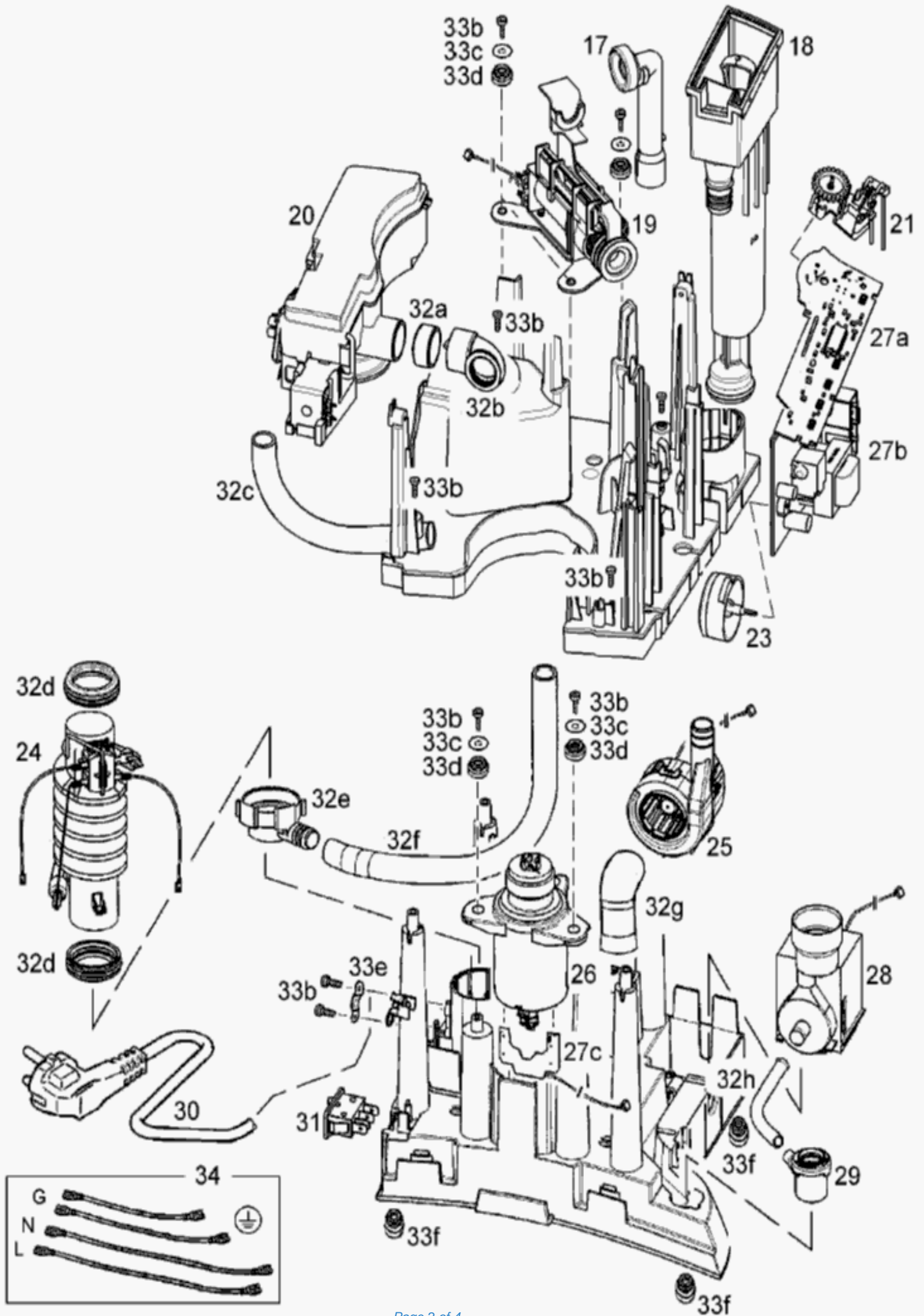


33a





Position	Code	description
000A	ES0061431	Bellow bottle (702 cpl)
000B	IT1000	PORTABLE DIGITAL THERMOMETER (-50°C +150°C)
1	BR67050878	BR67050878
2	BR67050879	INSERT
3	BR67050880	Dosing lid
4	BR67050871	Housing upper part
5	BR67050887	COVER
6	BR67050882	CONTAINER LID
7	BR67050881	BR67050881
8	BR67050868	SELECTION KNOB
9	BR67050869	Container holder
10	BR67050877	BR67050877
11	BR67050872	FRONT COVER
12	BR67050874	Housing front part
13	BR67050876	DOSING TUBE
14	BR67050892	BR67050892
15	BR67050875	Outlet tube
16	BR67050883	DRIP TRAY SET
17	BR67050893	TUBE WITH GASKET
18	BR67050859	Filter housing
19	BR67050856	Dosing unit cpl.
20	BR67050861	Shower unit cpl.
21	BR67050867	WATER SENSOR AND PINION SET
23	BR67050870	Water control knob
24	BR67051157	NC 1000, Service unit cpl.
25	BR67050862	FAN
26	BR67050853	Motor cpl.
27	BR67050854	P.c.b.'s (a,b,c) -not available-
28	BR67050857	PUMP
29	BR67050891	Container adapter
30	BR67050863	Mains lead
31	BR67050865	SWITCH
32	BR67050858	Tube and sealing set
33	BR67050855	Screws and small parts set
34	BR67050864	Cable set (G, N, L)
35	BR67050948	Sealing ring

36	BR67050950	Brewing unit lid
37	BR67050949	COFFEE TUBE
300	BR67051014	BR67051014
400	BR67050894	MEASURING BEAKER
410	BR67050884	BR67050884
800	BR67051157	NC 1000, Service unit cpl.
1000	BR67051114	TORX T-15H HEXAGONAL INSERT (50 MM)