



ELECTROLUX HOME PRODUCTS NZ LTD

SIMPSON

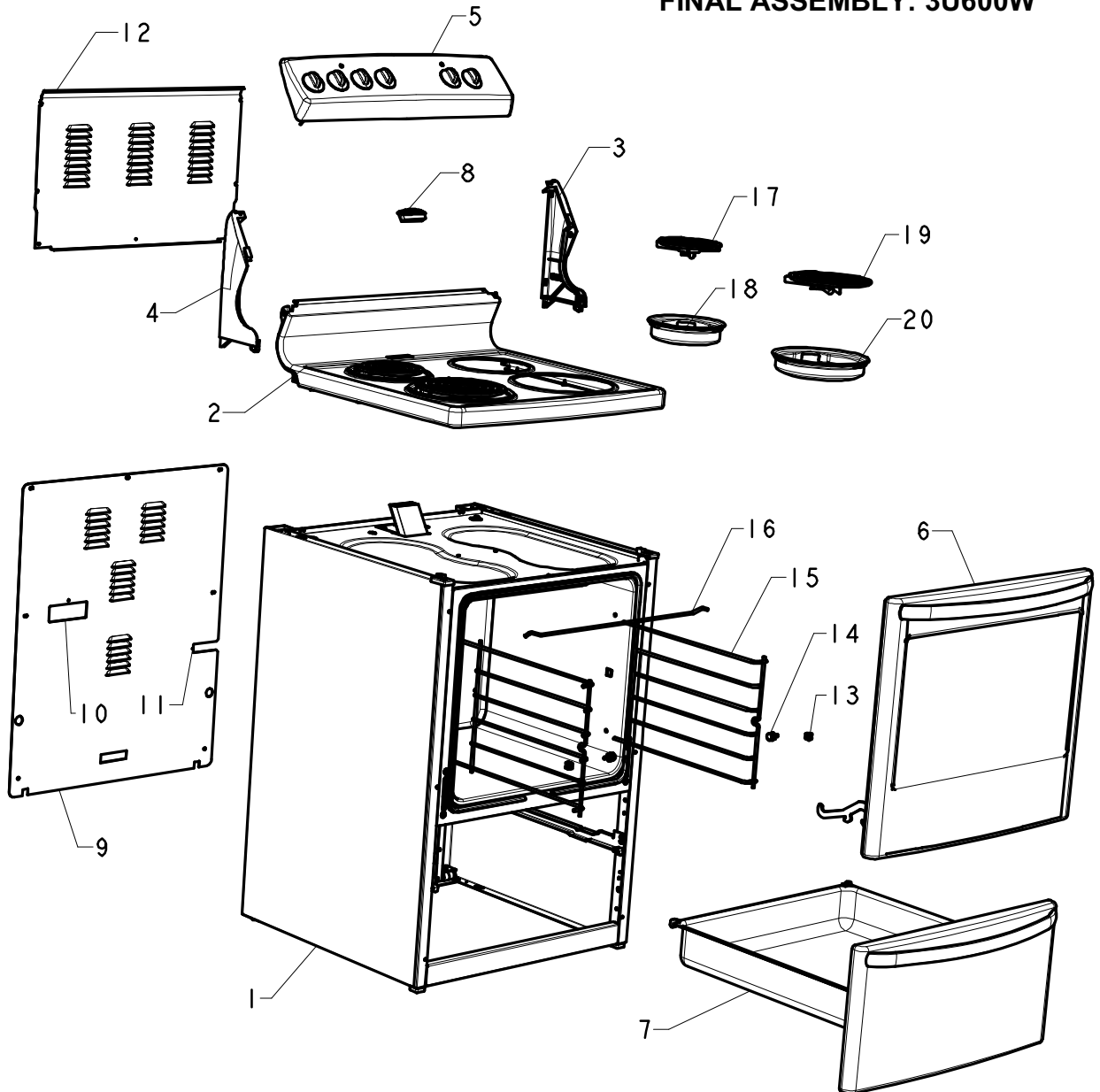
***ELECTRIC
UPRIGHT COOKERS
"3000" SERIES
SERVICE LEVEL-*08***

SECTION	PAGE N°
FINAL ASSEMBLIES	1 - 11
CARCASS ASSEMBLIES	12 - 22
OVEN ASSEMBLY	23 - 26
TERMINAL CHANNEL	29
BASE ROLLER ASSEMBLIES	30
CONTROL PANEL ASSEMBLIES	31 - 40
GRILL DOOR & RUNNER ASSEMBLY	28
GRILL COMPARTMENT ASSEMBLY	27
HOB ASSEMBLIES	41 - 42
WARMING/STORAGE DRAWER	44
OVEN DOOR ASSEMBLY	43
ACCESSORIES	45
CIRCUIT DIAGRAM	46
NOTES PAGES	47 - 48

MODELS:

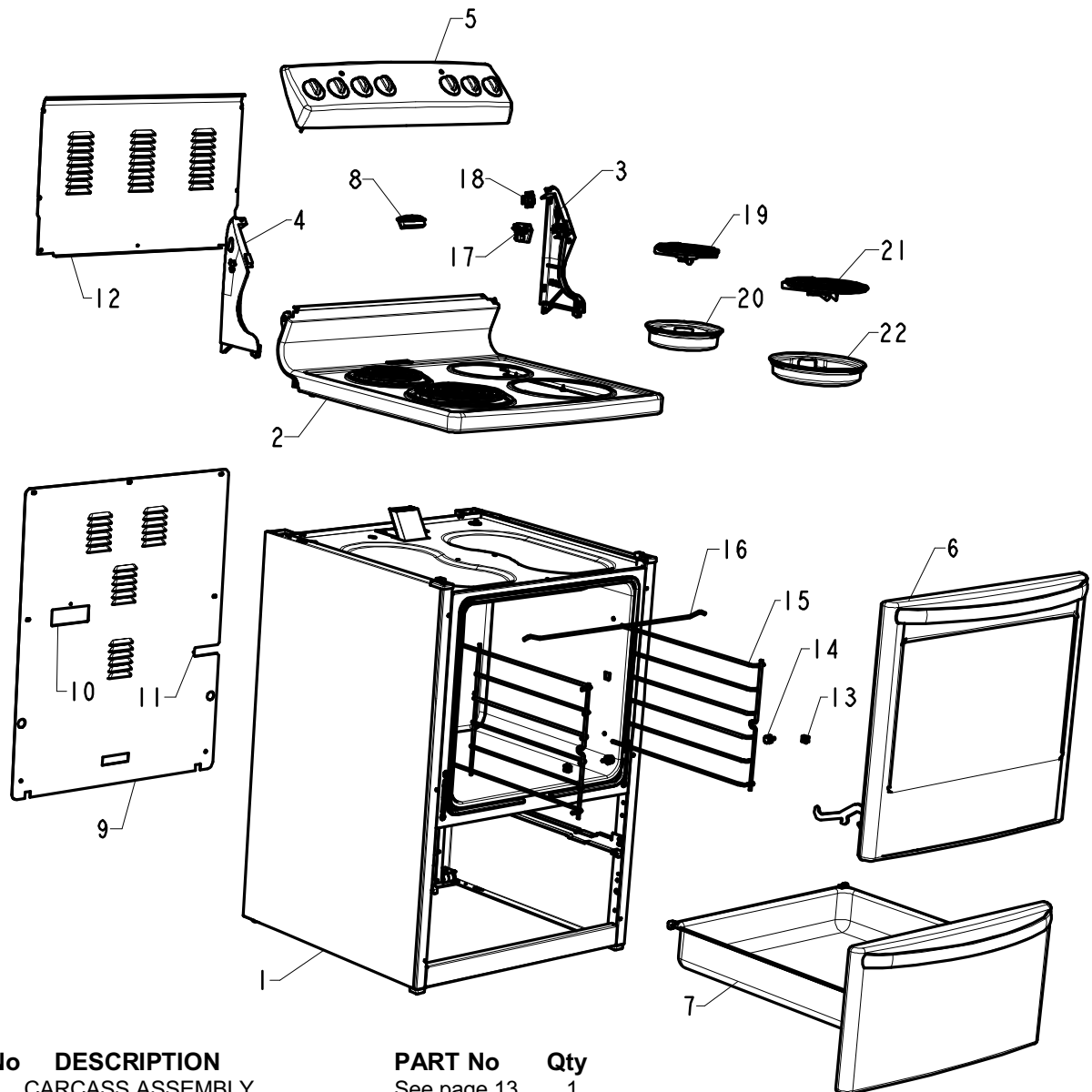
**3U600W-Mercury, 3U601W-Colombo, 3U601HW-Colombo,
3U602W-Neptune, 3U603W-Saturn, 3U604W-Gemini,
3U605W-Polaris, 3U606W-Apollo, 3U607W-Cosmos,
3U608W-Alpha, 3U609W-Jupiter**

FINAL ASSEMBLY: 3U600W



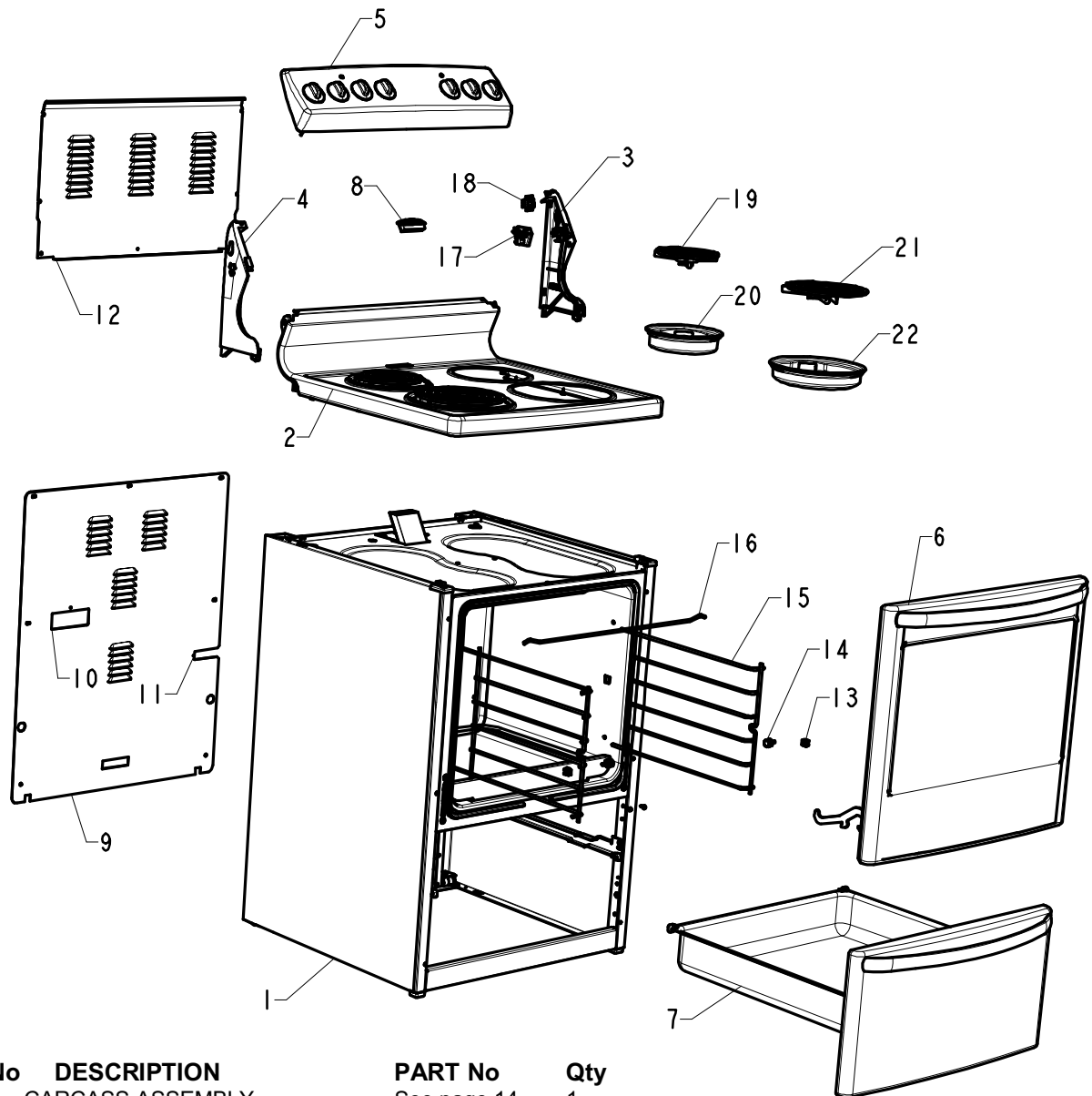
No	DESCRIPTION	PART No	Qty
1	CARCASS ASSEMBLY	See page 12	1
2	HOB ASSEMBLY	See page 41	1
3	ENDPLATE RH	84210	1
4	ENDPLATE LH	84211	1
5	SWITCHPANEL ASSEMBLY	See page 31	1
6	DOOR ASSEMBLY	See page 43	1
7	DRAWER ASSEMBLY	See page 44	1
8	VENT CAP	75363/PW	1
9	BACK COVER	72490	1
10	FUSE COVER	72289	1
11	EDGING SADDLE	72447	1
12	SWITCHPANEL COVER	72440	1
13	EXPANSION NUT	50549	2
14	THUMBSCREW	78073	2
15	SIDE RUNNER 6-bar	78074	2
16	ELEMENT SUPPORT ROD	70145	1
17	6" ELEMENT (ZOPPAS)	75477	2
18	160 DRIP BOWL	75378/GBBM	2
19	8" ELEMENT (ZOPPAS)	75478	2
20	200 DRIP BOWL	75379/GBBM	2

FINAL ASSEMBLY: 3U601W



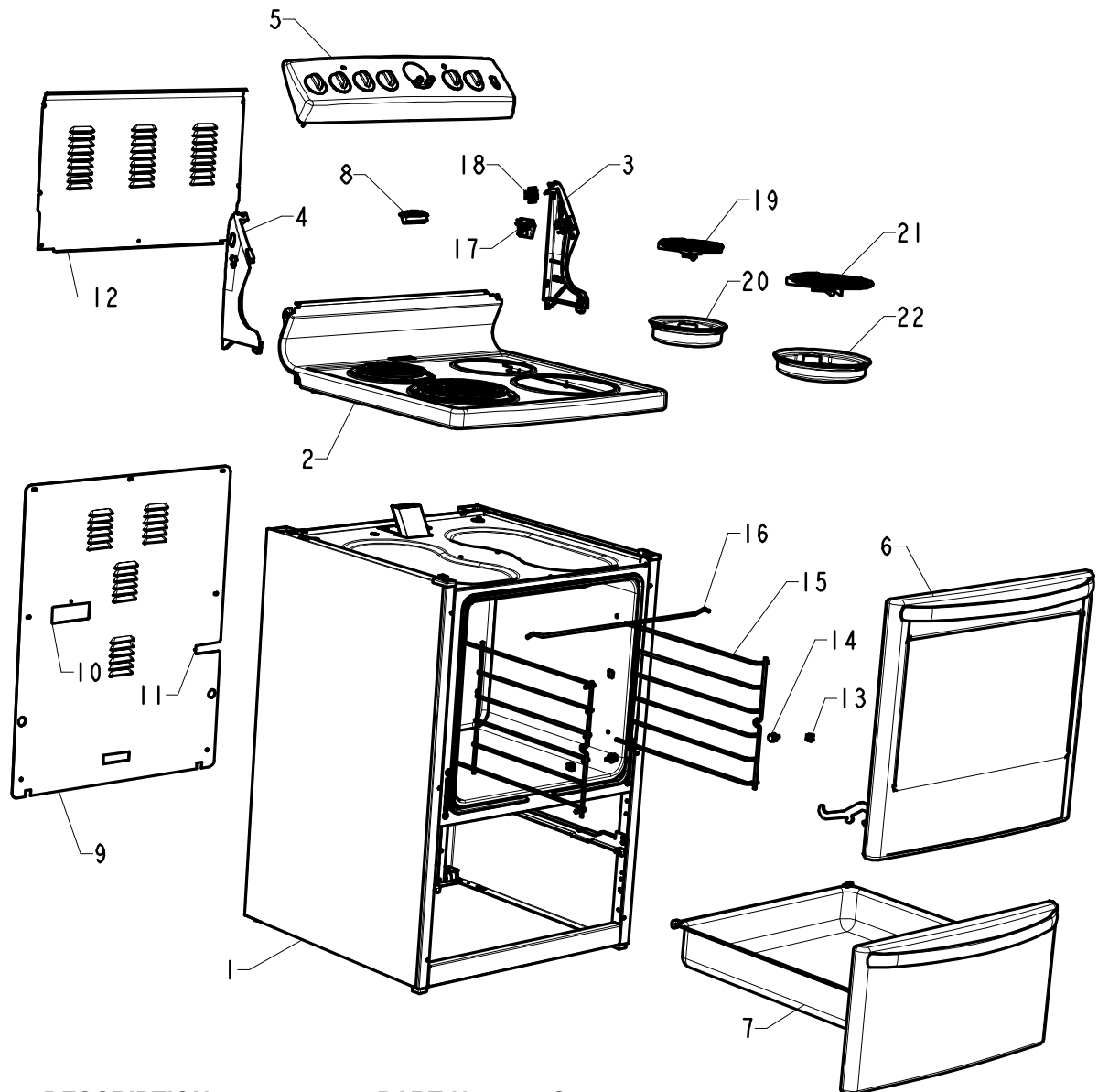
No	DESCRIPTION	PART No	Qty
1	CARCASS ASSEMBLY	See page 13	1
2	HOB ASSEMBLY	See page 41	1
3	ENDPLATE RH	84208	1
4	ENDPLATE LH	84209	1
5	SWITCHPANEL ASSEMBLY	See page 32	1
6	DOOR ASSEMBLY	See page 43	1
7	DRAWER ASSEMBLY	See page 44	1
8	VENT CAP	75363/PW	1
9	BACK COVER	72490	1
10	FUSE COVER	72289	1
11	EDGING SADDLE	72447	1
12	SWITCHPANEL COVER	72440	1
13	EXPANSION NUT	50549	2
14	THUMBSCREW	78073	2
15	SIDE RUNNER 6-bar	78074	2
16	ELEMENT SUPPORT ROD	70145	1
17	3-PIN SOCKET	84214	2
18	SWITCH	84212	2
19	6" ELEMENT (ZOPPAS)	75477	2
20	160 DRIP BOWL	75378/GBBM	2
21	8" ELEMENT (ZOPPAS)	75478	2
22	200 DRIP BOWL	75379/GBBM	2

FINAL ASSEMBLY: 3U601HW



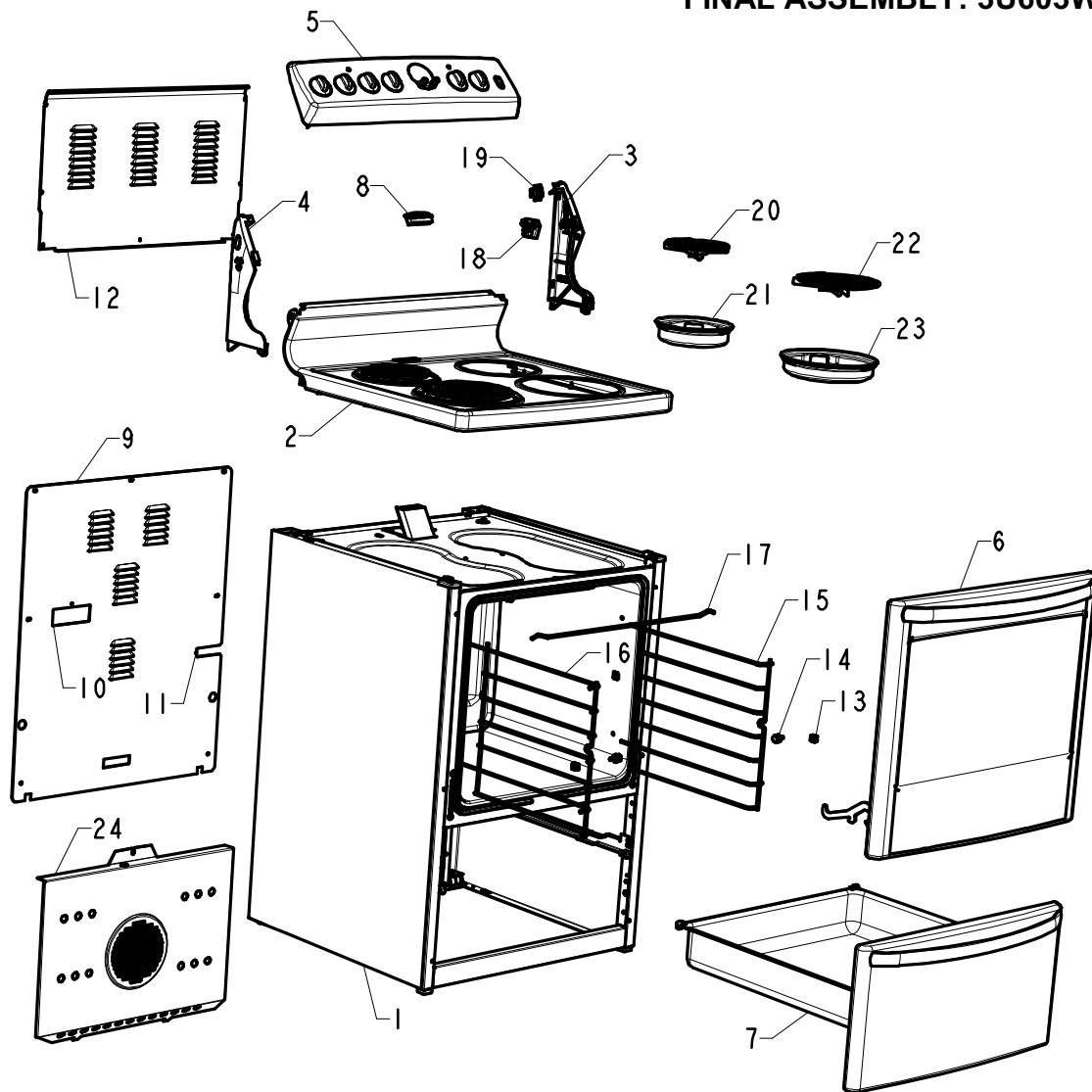
No	DESCRIPTION	PART No	Qty
1	CARCASS ASSEMBLY	See page 14	1
2	HOB ASSEMBLY	See page 41	1
3	ENDPLATE RH	84208	1
4	ENDPLATE LH	84209	1
5	SWITCHPANEL ASSEMBLY	See page 32	1
6	DOOR ASSEMBLY	See page 43	1
7	DRAWER ASSEMBLY	See page 44	1
8	VENT CAP	75363/PW	1
9	BACK COVER	72490	1
10	FUSE COVER	72289	1
11	EDGING SADDLE	72447	1
12	SWITCHPANEL COVER	72440	1
13	EXPANSION NUT	50549	2
14	THUMBSCREW	78073	2
15	SIDE RUNNER 6-bar	78074	2
16	ELEMENT SUPPORT ROD	70145	1
17	3-PIN SOCKET	84214	2
18	SWITCH	84212	2
19	6" ELEMENT (ZOPPAS)	75477	2
20	160 DRIP BOWL	75378/GBBM	2
21	8" ELEMENT (ZOPPAS)	75478	2
22	200 DRIP BOWL	75379/GBBM	2

FINAL ASSEMBLY: 3U602W



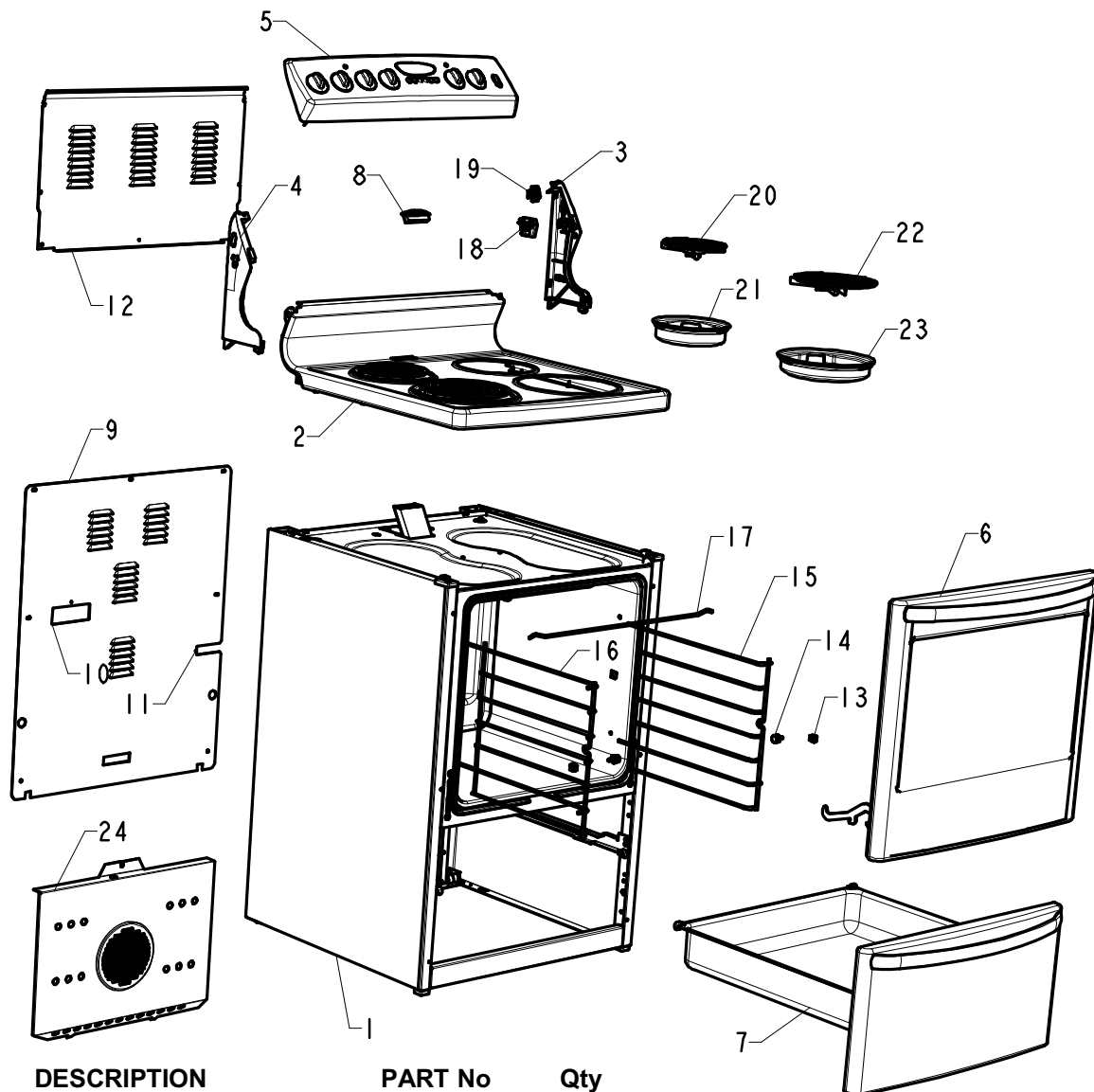
No	DESCRIPTION	PART No	Qty
1	CARCASS ASSEMBLY	See page 15	1
2	HOB ASSEMBLY	See page 41	1
3	ENDPLATE RH	84208	1
4	ENDPLATE LH	84209	1
5	SWITCHPANEL ASSEMBLY	See page 33	1
6	DOOR ASSEMBLY	See page 43	1
7	DRAWER ASSEMBLY	See page 44	1
8	VENT CAP	75363/PW	1
9	BACK COVER	72490	1
10	FUSE COVER	72289	1
11	EDGING SADDLE	772447	1
12	SWITCHPANEL COVER	50549	2
14	THUMBSCREW	78073	2
15	SIDE RUNNER 6-bar	78074	2
16	ELEMENT SUPPORT ROD	70145	1
17	3-PIN SOCKET	84214	2
18	SWITCH	84212	2
19	6" ELEMENT (ZOPPAS)	75477	2
20	160 DRIP BOWL	75378/GBBM	2
21	8" ELEMENT (ZOPPAS)	75478	2
22	200 DRIP BOWL	75379/GBBM	2

FINAL ASSEMBLY: 3U603W



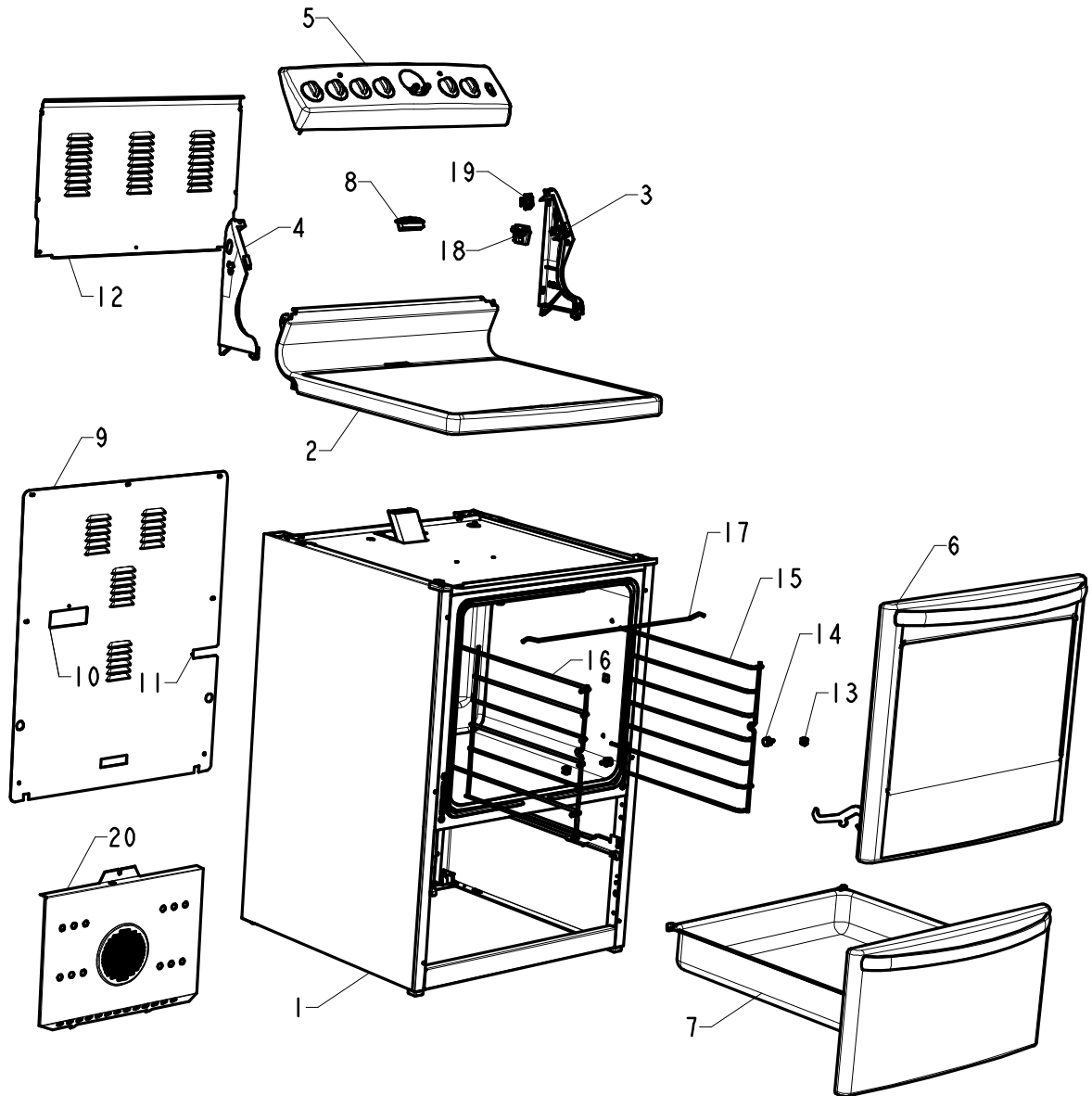
No	DESCRIPTION	PART No	Qty
1	CARASS ASSEMBLY	See page 16	1
2	HOB ASSEMBLY	See page 41	1
3	ENDPLATE RH	84208	1
4	ENDPLATE LH	84209	1
5	SWITCHPANEL ASSEMBLY	See page 34	1
6	DOOR ASSEMBLY	See page 43	1
7	DRAWER ASSEMBLY	See page 44	1
8	VENT CAP	75363/PW	1
9	BACK COVER	72490	1
10	FUSE COVER	72289	1
11	EDGING SADDLE	72447	1
12	SWITCHPANEL COVER	72440	1
13	EXPANSION NUT	50549	3
14	THUMBSCREW	78073	3
15	SIDE RUNNER RH	78118	1
16	SIDE RUNNER LH	78117	1
17	ELEMENT SUPPORT ROD	70145	1
18	SOCKET	84214	2
19	SWITCH	84212	2
20	6" ELEMENT (ZOPPAS)	75477	2
21	160 DRIP BOWL	75378/GBBM	2
22	8" ELEMENT (ZOPPAS)	75478	2
23	200 DRIP BOWL	75379/GBBM	2
24	FAN BAFFLE	70108/GBKM	1

FINAL ASSEMBLY: 3U604W



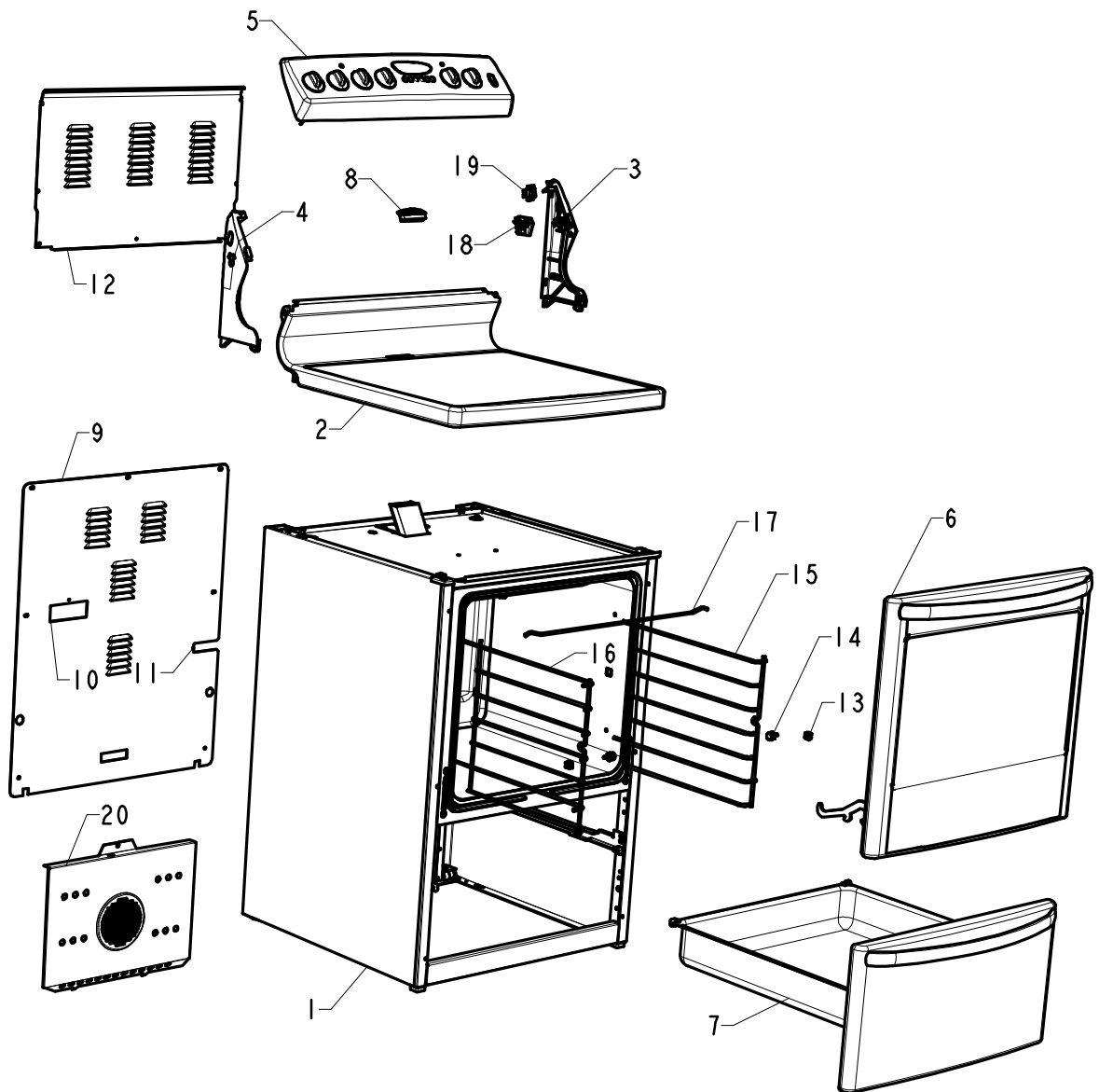
No	DESCRIPTION	PART No	Qty
1	CARCASS ASSEMBLY	See page 17	1
2	HOB ASSEMBLY	See page 41	1
3	ENDPLATE RH	84208	1
4	ENDPLATE LH	84209	1
5	SWITCHPANEL ASSEMBLY	See page 35	1
6	DOOR ASSEMBLY	See page 43	1
7	DRAWER ASSEMBLY	See page 44	1
8	VENT CAP	75363/PW	1
9	BACK COVER	72490	1
10	FUSE COVER	72289	1
11	EDGING SADDLE	72447	1
12	SWITCHPANEL COVER	72440	1
13	EXPANSION NUT	50549	3
14	THUMBSCREW	78073	3
15	SIDE RUNNER RH	78118	1
16	SIDE RUNNER LH	78117	1
17	ELEMENT SUPPORT ROD	70145	1
18	3-PIN SOCKET	84214	2
19	SWITCH	84212	2
20	6" ELEMENT (ZOPPAS)	75477	2
21	160 DRIP BOWL	75378/GBBM	2
22	8" ELEMENT (ZOPPAS)	75478	2
23	200 DRIP BOWL	75379/GBBM	2
24	FAN BAFFLE	70108/GBKM	1

FINAL ASSEMBLY: 3U605W



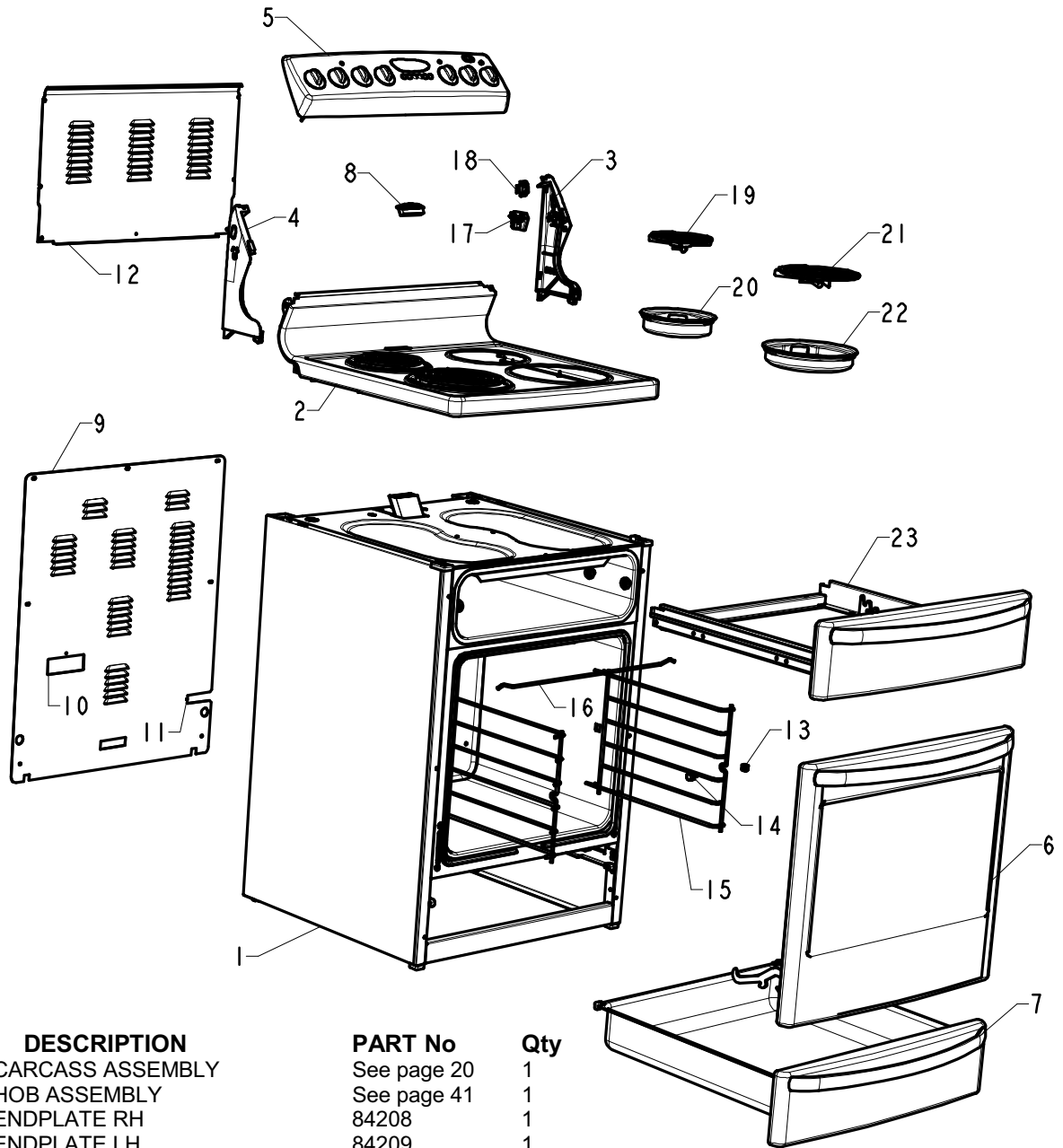
No	DESCRIPTION	PART No	Qty
1	CARCASS ASSEMBLY	See page 18	1
2	HOB ASSEMBLY	See page 42	1
3	ENDPLATE RH	84208	1
4	ENDPLATE LH	84209	1
5	SWITCHPANEL ASSEMBLY	See page 36	1
6	DOOR ASSEMBLY	See page 43	1
7	DRAWER ASSEMBLY	See page 44	1
8	VENT CAP	75363/PW	1
9	BACK COVER	72490	1
10	FUSE COVER	72289	1
11	EDGING SADDLE	72447	1
12	SWITCHPANEL COVER	72440	1
13	EXPANSION NUT	50549	3
14	THUMBSCREW	78073	3
15	SIDE RUNNER RH	78118	1
16	SIDE RUNNER LH	78117	1
17	ELEMENT SUPPORT ROD	70145	1
18	3-PIN SOCKET	84214	2
19	SWITCH	84212	2
20	FAN BAFFLE	70108/GBKM	1

FINAL ASSEMBLY: 3U606W



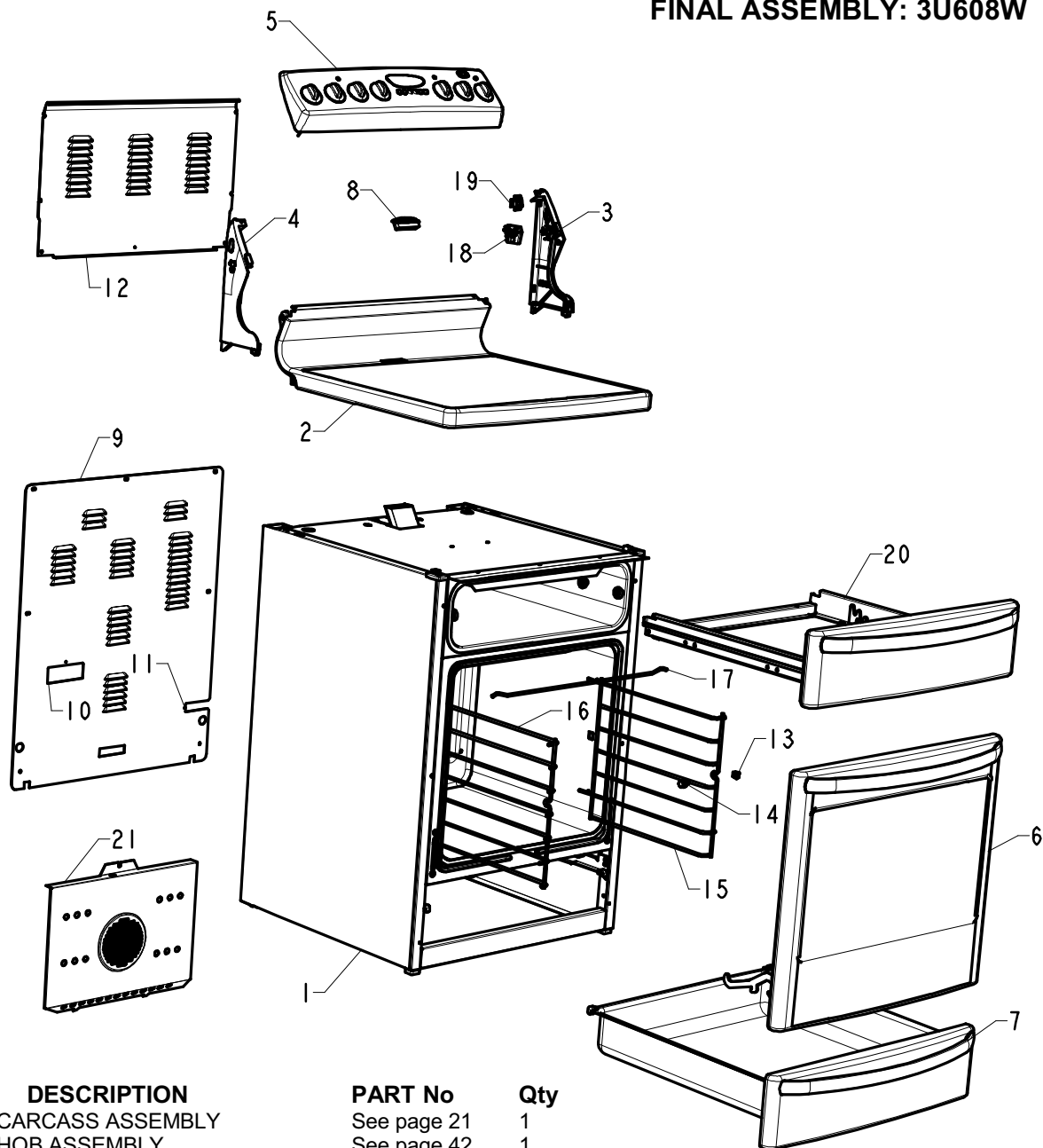
No	DESCRIPTION	PART No	Qty
1	CARCASS ASSEMBLY	See page 19	1
2	HOB ASSEMBLY	See page 42	1
3	ENDPLATE RH	84208	1
4	ENDPLATE LH	84209	1
5	SWITCHPANEL ASSEMBLY	See page 37	1
6	DOOR ASSEMBLY	See page 43	1
7	DRAWER ASSEMBLY	See page 44	1
8	VENT CAP	75363/PW	1
9	BACK COVER	72490	1
10	FUSE COVER	72289	1
11	EDGING SADDLE	72447	1
13	CAPTIVE NUT	50549	3
14	THUMBSCREW	78073	3
15	SIDE RUNNER RH	78118	1
16	SIDE RUNNER LH	78117	1
17	ELEMENT SUPPORT ROD	70145	1
18	SOCKET	84214	2
19	SWITCH	84212	2
20	FAN BAFFLE	70108/GBKM	1

FINAL ASSEMBLY: 3U607W



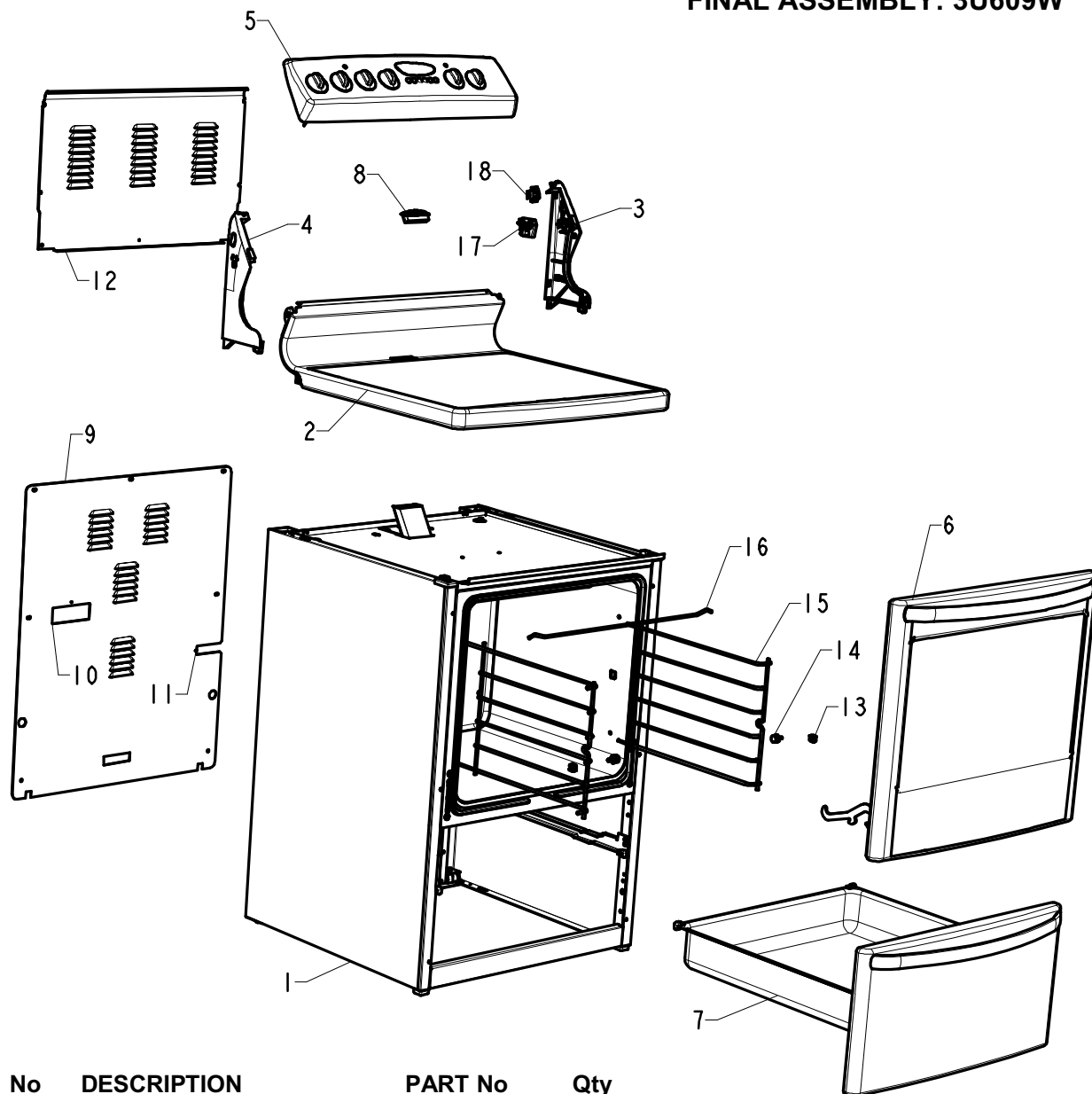
No	DESCRIPTION	PART No	Qty
1	CARCASS ASSEMBLY	See page 20	1
2	HOB ASSEMBLY	See page 41	1
3	ENDPLATE RH	84208	1
4	ENDPLATE LH	84209	1
5	SWITCHPANEL ASSEMBLY	See page 38	1
6	DOOR ASSEMBLY	See page 43	1
7	DRAWER ASSEMBLY	See page 44	1
8	VENT CAP	75363/PW	1
9	BACK COVER	72491	1
10	FUSE COVER	72289	1
11	EDGING SADDLE	72447	1
12	SWITCHPANEL COVER	72440	1
13	EXPANSION NUT	50549	2
14	THUMBSCREW	78073	2
15	SIDE RUNNER 6-bar	78074	2
16	ELEMENT SUPPORT ROD	70145	1
17	3-PIN SOCKET	84214	2
18	SWITCH	84212	2
19	6" ELEMENT (ZOPPAS)	75477	2
20	160 DRIP BOWL	75378/GBBM	2
21	8" ELEMENT (ZOPPAS)	75478	2
22	200 DRIP BOWL	75379/GBBM	2
23	GRILL DOOR ASSEMBLY	71079	1

FINAL ASSEMBLY: 3U608W



No	DESCRIPTION	PART No	Qty
1	CARCASS ASSEMBLY	See page 21	1
2	HOB ASSEMBLY	See page 42	1
3	ENDPLATE RH	84208	1
4	ENDPLATE LH	84209	1
5	SWITCHPANEL ASSEMBLY	See page 39	1
6	DOOR ASSEMBLY	See page 43	1
7	DRAWER ASSEMBLY	See page 44	1
8	VENT CAP	75363/PW	1
9	BACK COVER	72491	1
10	FUSE COVER	72289	1
11	EDGING SADDLE	72447	1
12	SWITCHPANEL COVER	72440	1
13	EXPANSION NUT	50549	3
14	THUMBSCREW	78073	3
15	SIDE RUNNER RH	78118	1
16	SIDE RUNNER LH	78117	1
17	ELEMENT SUPPORT ROD	70145	1
18	3-PIN SOCKET	84214	2
19	SWITCH	84212	2
20	GRILL DOOR ASSEMBLY	71079	1
21	FAN BAFFLE	70108/GBKM	1

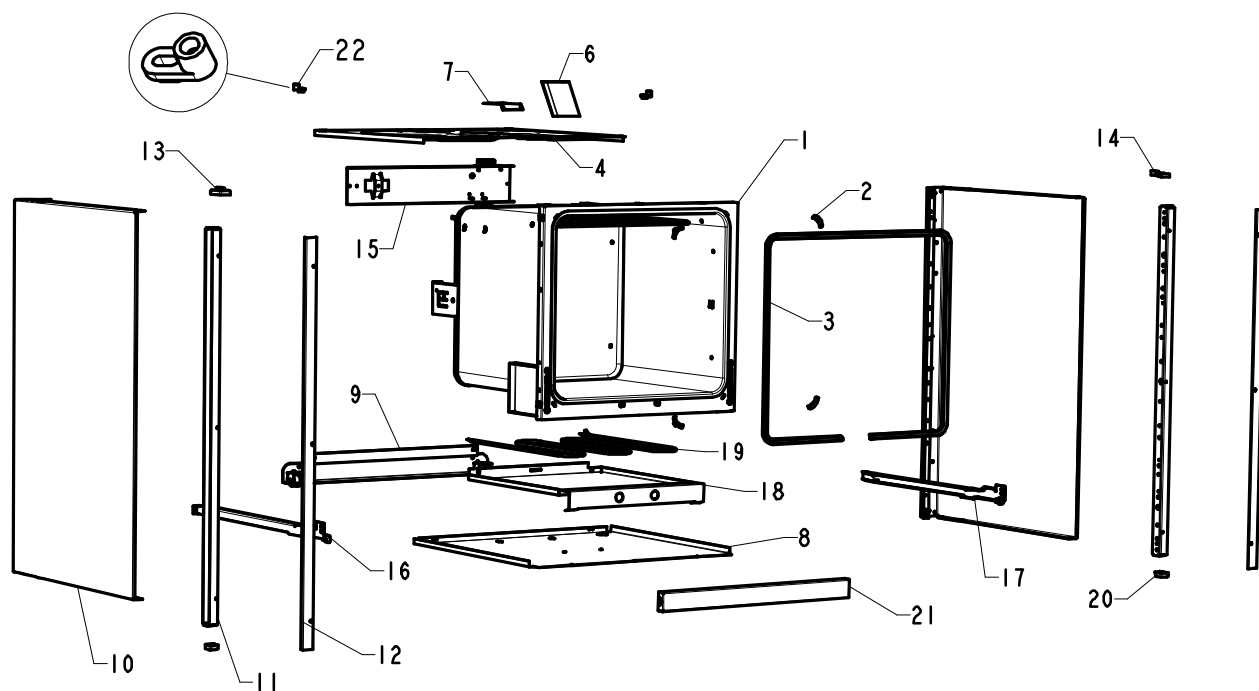
FINAL ASSEMBLY: 3U609W



No	DESCRIPTION	PART No	Qty
1	CARCASS ASSEMBLY	See page 22	1
2	HOB ASSEMBLY	See page 42	1
3	ENDPLATE RH	84208	1
4	ENDPLATE LH	84209	1
5	SWITCHPANEL ASSEMBLY	See page 40	1
6	DOOR ASSEMBLY	See page 43	1
7	DRAWER ASSEMBLY	See page 44	1
8	VENT CAP	75363/PW	1
9	BACK COVER	72490	1
10	FUSE COVER	72289	1
11	EDGING SADDLE	72447	1
12	SWITCHPANEL COVER	72440	1
13	EXPANSION NUT	50549	2
14	THUMBSCREW	78073	2
15	SIDE RUNNER 6-bar	78117	2
16	ELEMENT SUPPORT ROD	70145	1
17	3-PIN SOCKET	84214	2
18	SWITCH	84212	2

CARCASS ASSEMBLY: 3U600W

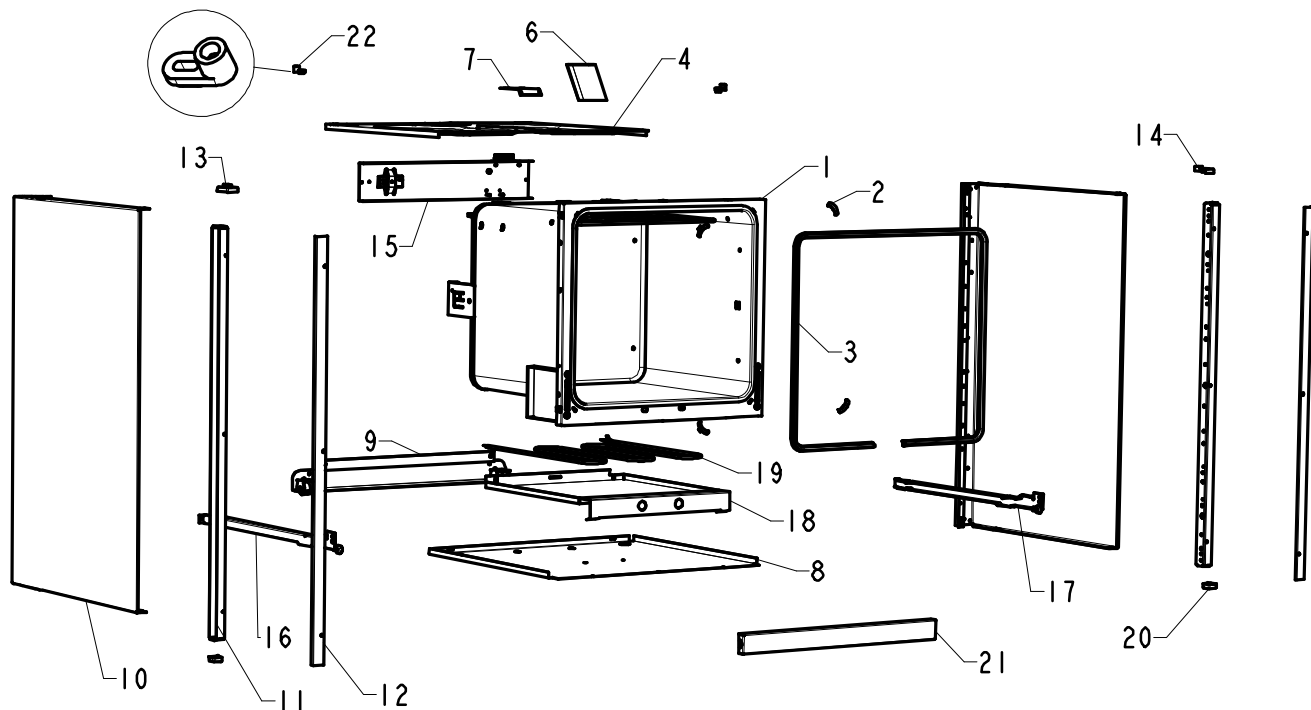
DRG 72425



No	DESCRIPTION	PART No	Qty
1	OVEN ASSEMBLY - STANDARD	See page 23	1
2	OVEN GASKET RETAINER	94138	4
3	OVEN GASKET ASSY	70053	1
4	UPPER PLATFORM - RAD/ GRILL	72461/EG	1
5	HOB STAY - NON GRILL	72472/EG	1
6	VENT TUBE - NON GRILL	72497	1
7	BRACKET - VENT TUBE	72233	1
8	LOWER PLATFORM	72218	1
9	BASE ROLLER ASSEMBLY	See page 30	1
10	SIDE PANEL	72474/PP	2
11	SIDE CHANNEL	72216	2
12	SIDE TRIM	72221	2
13	HOB REST PAD LH	72444	1
14	HOB REST PAD RH	72443	1
15	TERMINAL CHANNEL ASSY - NO FUSE	See page 29	1
16	WARMER DRAWER SLIDE RUNNER ASSY - LH	73043	1
17	WARMER DRAWER SLIDE RUNNER ASSY - RH	73042	1
18	TRAY - LOWER ELEMENT	99217	1
19	ELEMENT-BOTTOM BAKE - CONCEALED	70187	1
20	SKID	72489	2
21	PLINTH	72488/PP	1
22	SPACER	72494	2

CARCASS ASSEMBLY: 3U601W

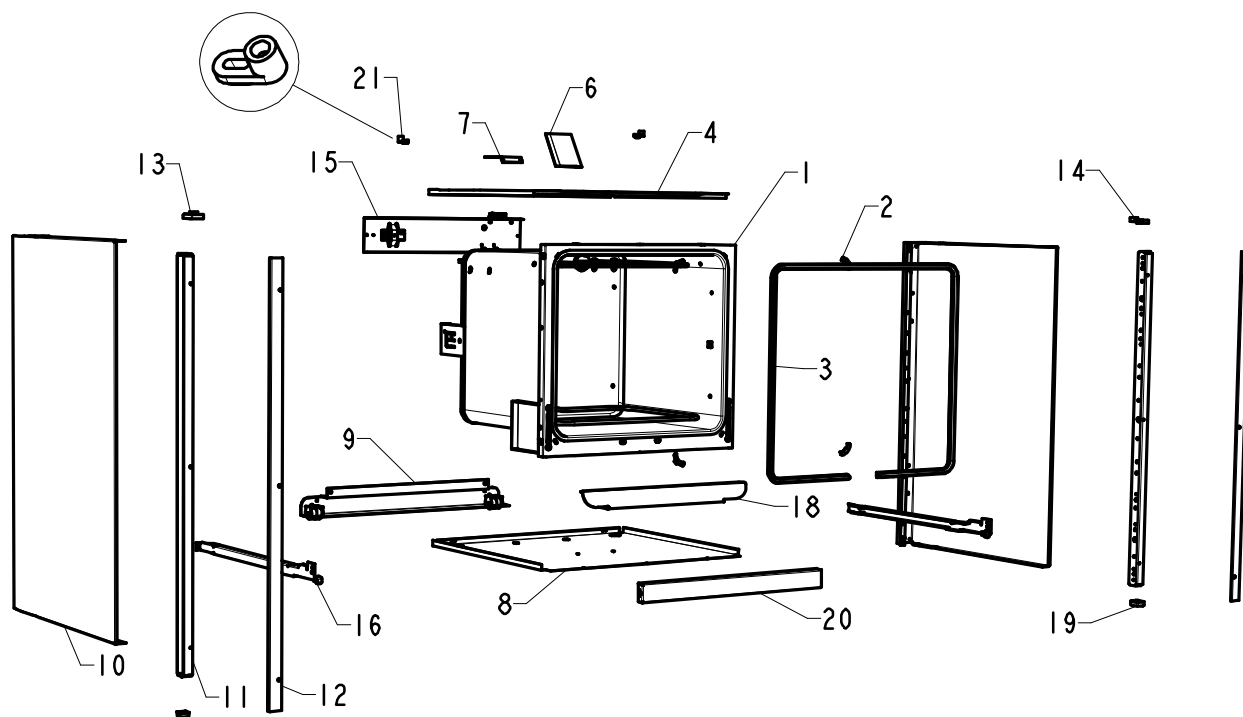
DRG 72424



No	DESCRIPTION	PART No	Qty
1	OVEN ASSEMBLY - STANDARD	See page 23	1
2	OVEN GASKET RETAINER	94138	4
3	OVEN GASKET ASSY	70053	1
4	UPPER PLATFORM - RAD/ GRILL	72461/EG	1
5	HOB STAY - NON GRILL	72472/EG	1
6	VENT TUBE - NON GRILL	72497	1
7	BRACKET - VENT TUBE	72233	1
8	LOWER PLATFORM	72218	1
9	BASE ROLLER ASSEMBLY	See page 30	1
10	SIDE PANEL	72474/PP	2
11	SIDE CHANNEL	72216	2
12	SIDE TRIM	72221	2
13	HOB REST PAD LH	72444	1
14	HOB REST PAD RH	72443	1
15	TERMINAL CHANNEL ASSY - WITH FUSE	See page 29	1
16	WARMER DRAWER SLIDE RUNNER ASSY - LH	73043	1
17	WARMER DRAWER SLIDE RUNNER ASSY - RH	73042	1
18	TRAY - LOWER ELEMENT	99217	1
19	ELEMENT-BOTTOM BAKE - CONCEALED	70187	1
20	SKID	72489	2
21	PLINTH	72488/PP	1
22	SPACER	72494	2

CARCASS ASSEMBLY: 3U601HW

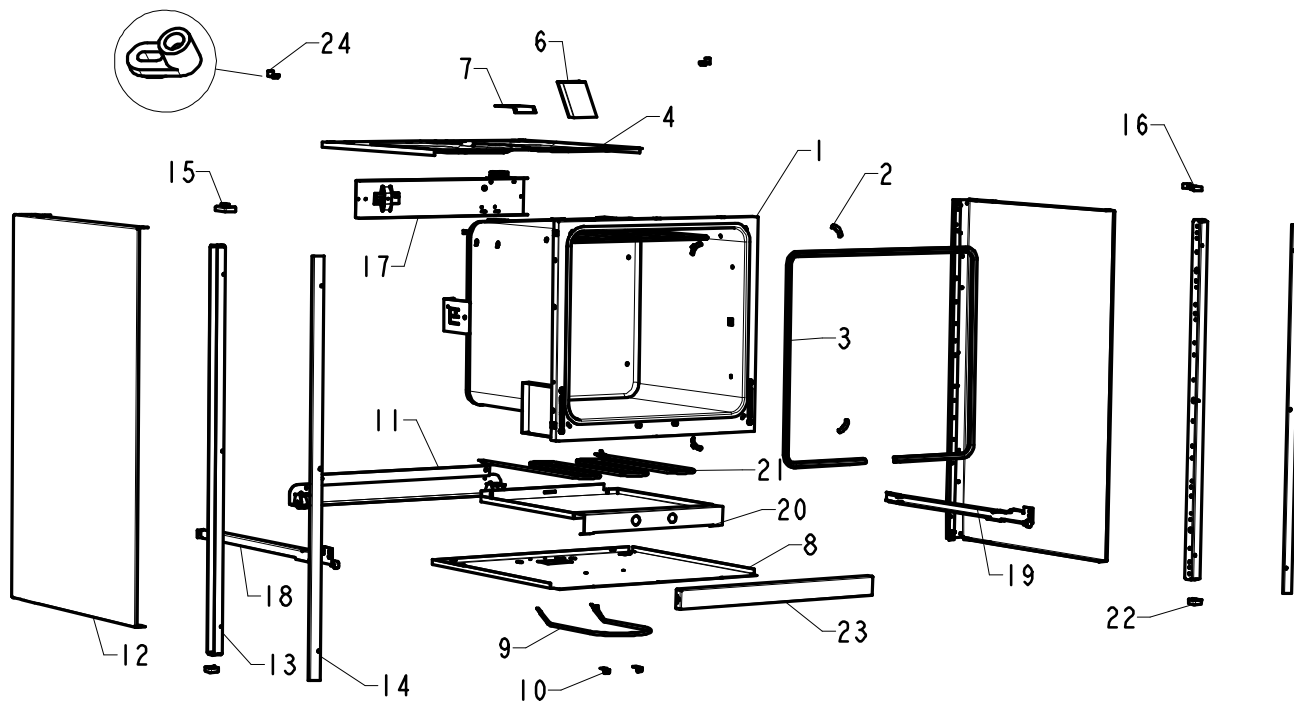
DRG 72448



No	DESCRIPTION	PART No	Qty
1	OVEN ASSEMBLY - HNZ	See page 26	1
2	OVEN GASKET RETAINER	94138	4
3	OVEN GASKET ASSY	70053	1
4	UPPER PLATFORM - RAD-/GRILL	72461/EG	1
5	HOB STAY - NON GRILL	72472/EG	1
6	VENT TUBE - NON GRILL	72497	1
7	BRACKET - VENT TUBE	72233	1
8	LOWER PLATFORM	72218	1
9	BASE ROLLER ASSEMBLY	See page 30	1
10	SIDE PANEL	72474/PP	2
11	SIDE CHANNEL	72216	2
12	SIDE TRIM	72221	2
13	HOB REST PAD LH	72444	1
14	HOB REST PAD RH	72443	1
15	TERMINAL CHANNEL ASSY - WITH FUSE	See page 29	1
16	WARMER DRAWER SLIDE RUNNER ASSY - LH	73043	1
17	WARMER DRAWER SLIDE RUNNER ASSY - RH	73042	1
18	ELEMENT GUARD	78095/EG	1
19	SKID	72489	2
20	PLINTH	72488/PP	1
21	SPACER	72494	2

CARCASS ASSEMBLY: 3U602W

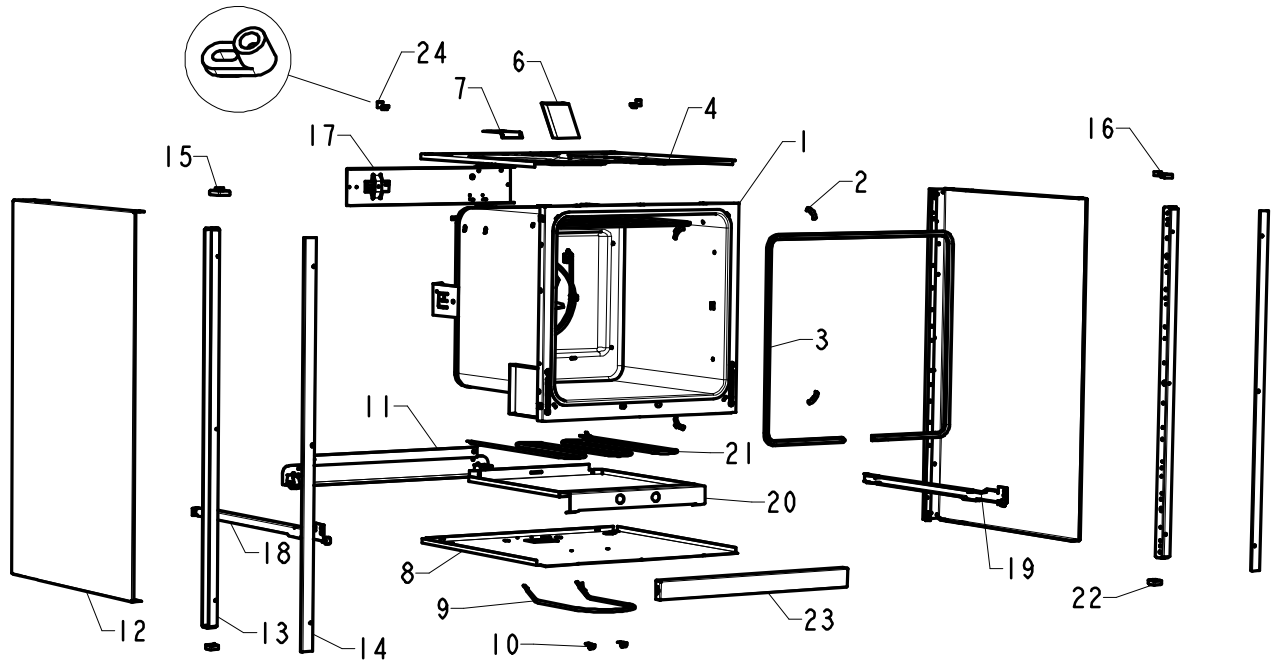
DRG 72423



No	DESCRIPTION	PART No	Qty
1	OVEN ASSEMBLY - STANDARD	See page 23	1
2	OVEN GASKET RETAINER	94138	4
3	OVEN GASKET ASSY	70053	1
4	UPPER PLATFORM - RAD/ GRILL	72461/EG	1
5	HOB STAY - NON GRILL	72472/EG	1
6	VENT TUBE	72497	1
7	BRACKET - VENT TUBE	72233	1
8	LOWER PLATFORM	72218	1
9	ELEMENT WARMER DRAWER	95627	1
10	ELEMENT SUPPORT CLIP	90046	2
11	BASE ROLLER ASSEMBLY	See page 30	1
12	SIDE PANEL	72474/PP	2
13	SIDE CHANNEL	72216	2
14	SIDE TRIM	72221	2
15	HOB REST PAD LH	72444	1
16	HOB REST PAD RH	72443	1
17	TERMINAL CHANNEL ASSY - WITH FUSE	See page 29	1
18	WARMER DRAWER SLIDE RUNNER ASSY - LH	73043	1
19	WARMER DRAWER SLIDE RUNNER ASSY - RH	73042	1
20	TRAY - LOWER ELEMENT	99217	1
21	ELEMENT-BOTTOM BAKE - CONCEALED	70187	1
22	SKID	72489	2
23	PLINTH	72488/PP	1
24	SPACER	72494	2

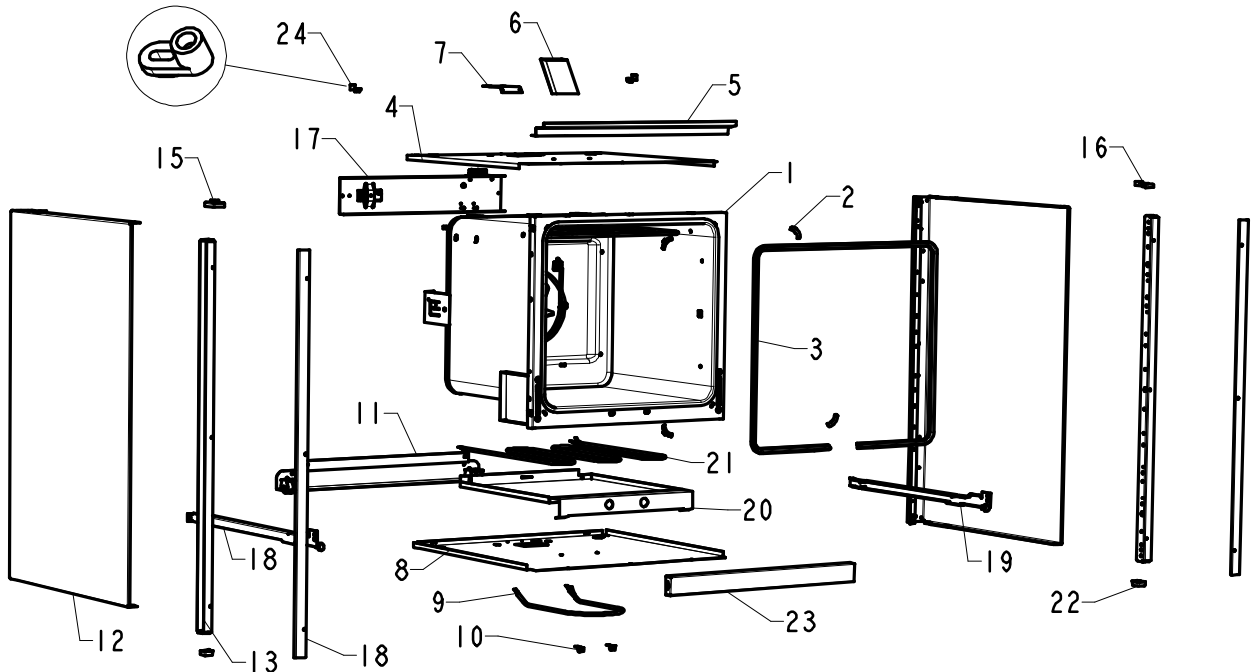
CARCASS ASSEMBLY: 3U603W

DRG 72426



No	DESCRIPTION	PART No	Qty
1	OVEN ASSEMBLY - MULTIFUNCTION	See page 24	1
2	OVEN GASKET RETAINER	94138	4
3	OVEN GASKET ASSY	70053	1
4	UPPER PLATFORM - RAD/ GRILL	72461/EG	1
5	HOB STAY - NON GRILL	72472/EG	1
6	VENT TUBE - NON GRILL	72497	1
7	BRACKET - VENT TUBE	72233	1
8	LOWER PLATFORM	72218	1
9	ELEMENT WARMER DRAWER	95627	1
10	ELEMENT SUPPORT CLIP	90046	2
11	BASE ROLLER ASSEMBLY	See page 30	1
12	SIDE PANEL	72474/PP	2
13	SIDE CHANNEL	72216	2
14	SIDE TRIM	72221	2
15	HOB REST PAD LH	72444	1
16	HOB REST PAD RH	72443	1
17	TERMINAL CHANNEL ASSY - WITH FUSE	See page 29	1
18	WARMER DRAWER SLIDE RUNNER ASSY - LH	73043	1
19	WARMER DRAWER SLIDE RUNNER ASSY - RH	73042	1
20	TRAY - LOWER ELEMENT	99217	1
21	ELEMENT-BOTTOM BAKE - CONCEALED	70187	1
22	SKID	72489	2
23	PLINTH	72488/PP	1
24	SPACER	72494	2

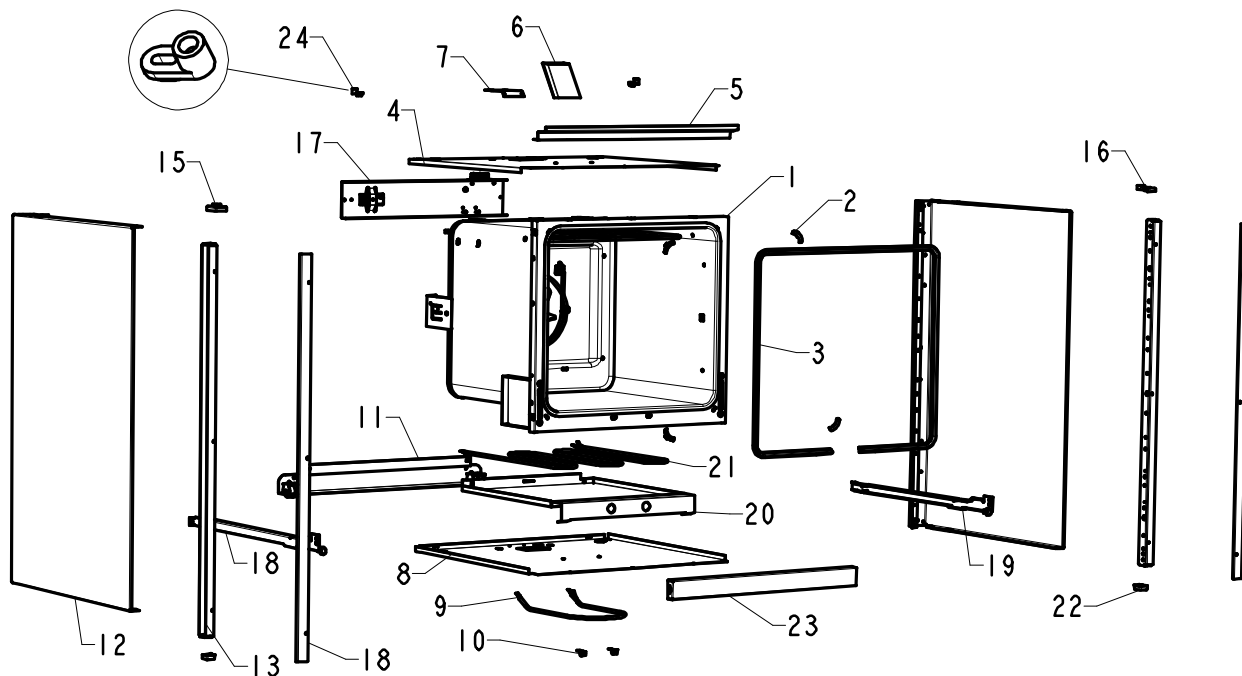
CARCASS ASSEMBLY: 3U604W
DRG 72466



No	DESCRIPTION	PART No	Qty
1	OVEN ASSEMBLY – MULTIFUNCTION _9 POSN	See page 25	1
2	OVEN GASKET RETAINER	94138	4
3	OVEN GASKET ASSY	70053	1
4	UPPER PLATFORM - RAD/GRILL	72461/EG	1
5	HOB STAY - NON GRILL	72472/EG	1
6	VENT TUBE - NON GRILL	72497	1
7	BRACKET - VENT TUBE	72233	1
8	LOWER PLATFORM	72218	1
9	ELEMENT WARMER DRAWER	95627	1
10	ELEMENT SUPPORT CLIP	90046	2
11	BASE ROLLER ASSEMBLY	See page 30	1
12	SIDE PANEL	72474/PP	2
13	SIDE CHANNEL	72216	2
14	SIDE TRIM	72221	2
15	HOB REST PAD LH	72444	1
16	HOB REST PAD RH	72443	1
17	TERMINAL CHANNEL ASSY - WITH FUSE	See page 29	1
18	WARMER DRAWER SLIDE RUNNER ASSY - LH	73043	1
19	WARMER DRAWER SLIDE RUNNER ASSY - RH	73042	1
20	TRAY - LOWER ELEMENT	99217	1
21	ELEMENT-BOTTOM BAKE - CONCEALED	70187	1
22	SKID	72489	2
23	PLINTH	72488/PP	1
24	SPACER	72494	2

CARCASS ASSEMBLY: 3U605W

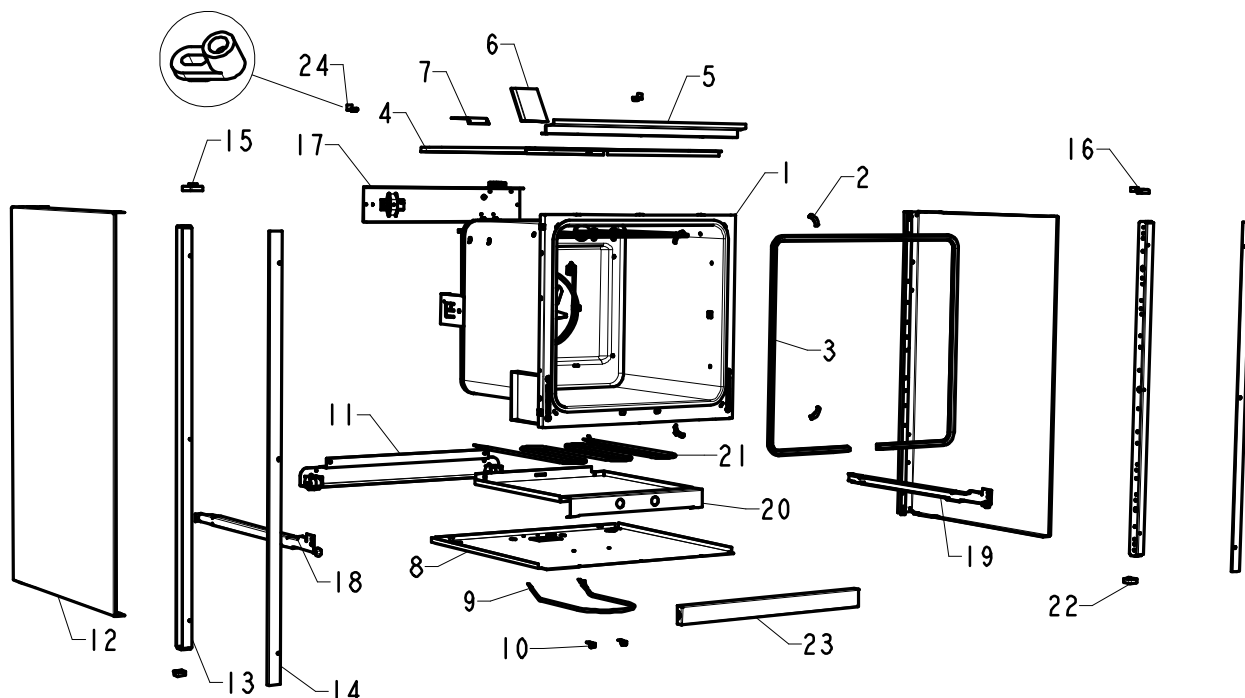
DRG 72428



No	DESCRIPTION	PART No	Qty
1	OVEN MULTIFUNCTION x 6 FUNCTION	See page 24	1
2	OVEN GASKET RETAINER	94138	4
3	OVEN GASKET ASSY	70053	1
4	UPPER PLATFORM - CERAMIC	72439	1
5	HOB STAY - NON GRILL	72472/EG	1
6	VENT TUBE - NON GRILL	72450	1
7	BRACKET - VENT TUBE	72233	1
8	LOWER PLATFORM	72218	1
9	ELEMENT WARMER DRAWER	95627	1
10	ELEMENT SUPPORT CLIP	90046	2
11	BASE ROLLER ASSEMBLY	See page 30	1
12	SIDE PANEL	72474/PP	2
13	SIDE CHANNEL	72216	2
14	SIDE TRIM	72221	2
15	HOB REST PAD LH	72444	1
16	HOB REST PAD RH	72443	1
17	TERMINAL CHANNEL ASSY - WITH FUSE	See page 29	
18	WARMER DRAWER SLIDE RUNNER ASSY - LH	73043	1
19	WARMER DRAWER SLIDE RUNNER ASSY - RH	73042	1
20	TRAY - LOWER ELEMENT	99217	1
21	ELEMENT-BOTTOM BAKE - CONCEALED	70187	1
22	SKID	72489	2
23	PLINTH	72488/PP	1
24	SPACER	72494	2

CARCASS ASSEMBLY: 3U606W

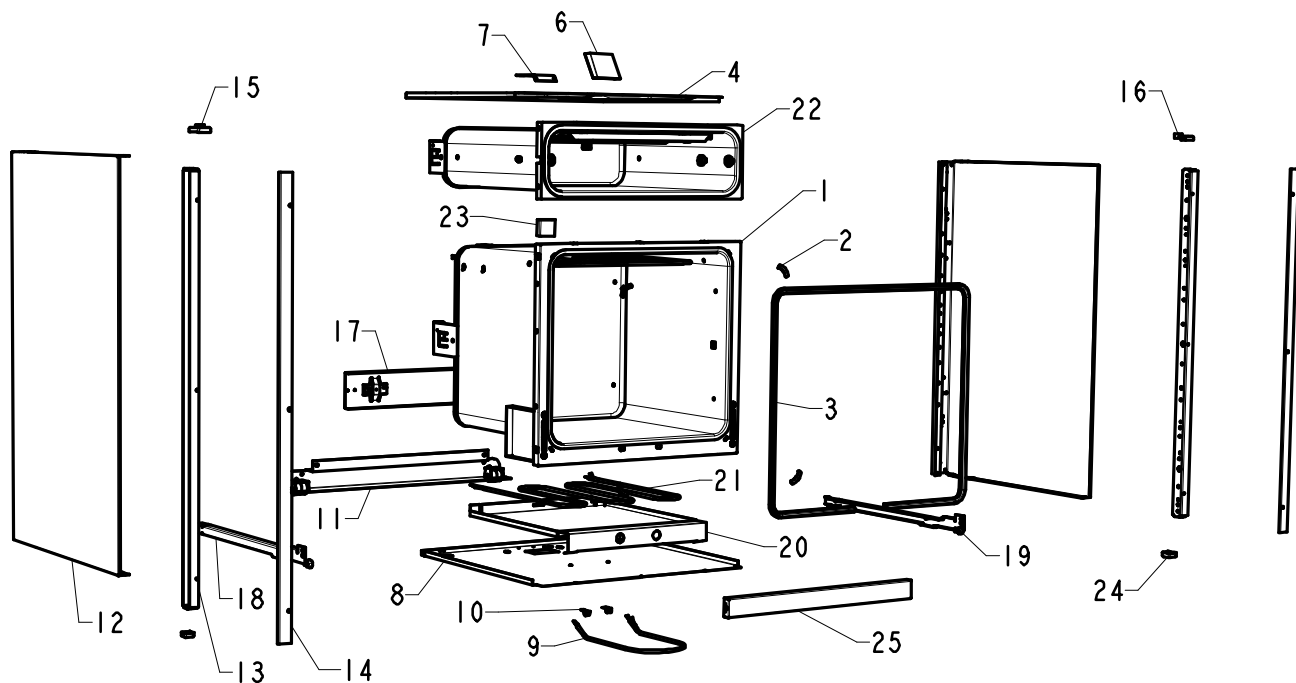
DRG 72467



No	DESCRIPTION	PART No	Qty
1	OVEN ASSEMBLY - MULTIFUNCTION_9 POSN	See page 25	1
2	OVEN GASKET RETAINER	94138	4
3	OVEN GASKET ASSY	70053	1
4	UPPER PLATFORM - CERAMIC	72439	1
5	HOB STAY - NON GRILL	72472/EG	1
6	VENT TUBE - NON GRILL	72497	1
7	BRACKET - VENT TUBE	72233	1
8	LOWER PLATFORM	72218	1
9	ELEMENT WARMWER DRAWER	95627	1
10	ELEMENT SUPPORT CLIP	90046	2
11	BASE ROLLER ASSEMBLY	See page 30	1
12	SIDE PANEL	72474/PP	2
13	SIDE CHANNEL	72216	2
14	SIDE TRIM	72221	2
15	HOB REST PAD LH	72444	1
16	HOB REST PAD RH	72443	1
17	TERMINAL CHANNEL ASSY - WITH FUSE	See page 29	1
18	WARMER DRAWER SLIDE RUNNER ASSY - LH	73043	1
19	WARMER DRAWER SLIDE RUNNER ASSY - RH	73042	1
20	TRAY - LOWER ELEMENT	99217	1
21	ELEMENT-BOTTOM BAKE - CONCEALED	70187	1
22	SKID	72489	2
23	PLINTH	72488/PP	1
24	SPACER	72494	2

CARCASS ASSEMBLY: 3U607W

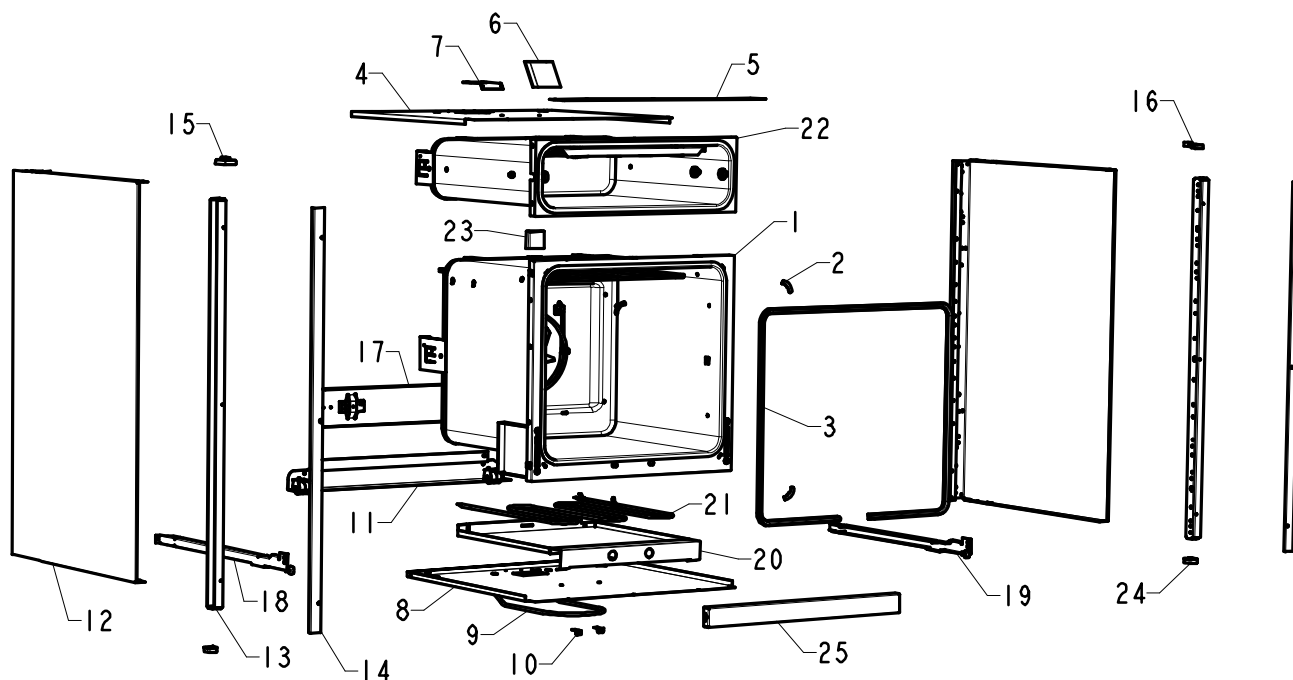
DRG 72427



No	DESCRIPTION	PART No	Qty
1	OVEN ASSEMBLY - STANDARD	See page 23	1
2	OVEN GASKET RETAINER	94138	4
3	OVEN GASKET ASSY	70053	1
4	UPPER PLATFORM - RAD/GRILL	72461/EG	1
5	HOB STAY - GRILL	72473/EG	1
6	VENT TUBE - GRILL	72498	1
7	BRACKET - VENT TUBE	72233	1
8	LOWER PLATFORM	72218	1
9	ELEMENT WARMER DRAWER	95627	1
10	ELEMENT SUPPORT CLIP	90046	2
11	BASE ROLLER ASSEMBLY	See page 30	1
12	SIDE PANEL	72474/PP	2
13	SIDE CHANNEL	72216	2
14	SIDE TRIM	72221	2
15	HOB REST PAD LH	72444	1
16	HOB REST PAD RH	72443	1
17	TERMINAL CHANNEL ASSY - GRILL	See page 29	1
18	WARMER DRAWER SLIDE RUNNER ASSY - LH	73043	1
19	WARMER DRAWER SLIDE RUNNER ASSY - RH	73042	1
20	TRAY - LOWER ELEMENT	99217	1
21	ELEMENT-BOTTOM BAKE - CONCEALED	70187	1
22	GRILL COMPARTMENT ASSEMBLY	71080	1
23	VENT TUBE (OVEN-TO-GRILL)	72290	1
24	SKID	72489	2
25	PLINTH	72488/PP	1

CARCASS ASSEMBLY: 3U608W

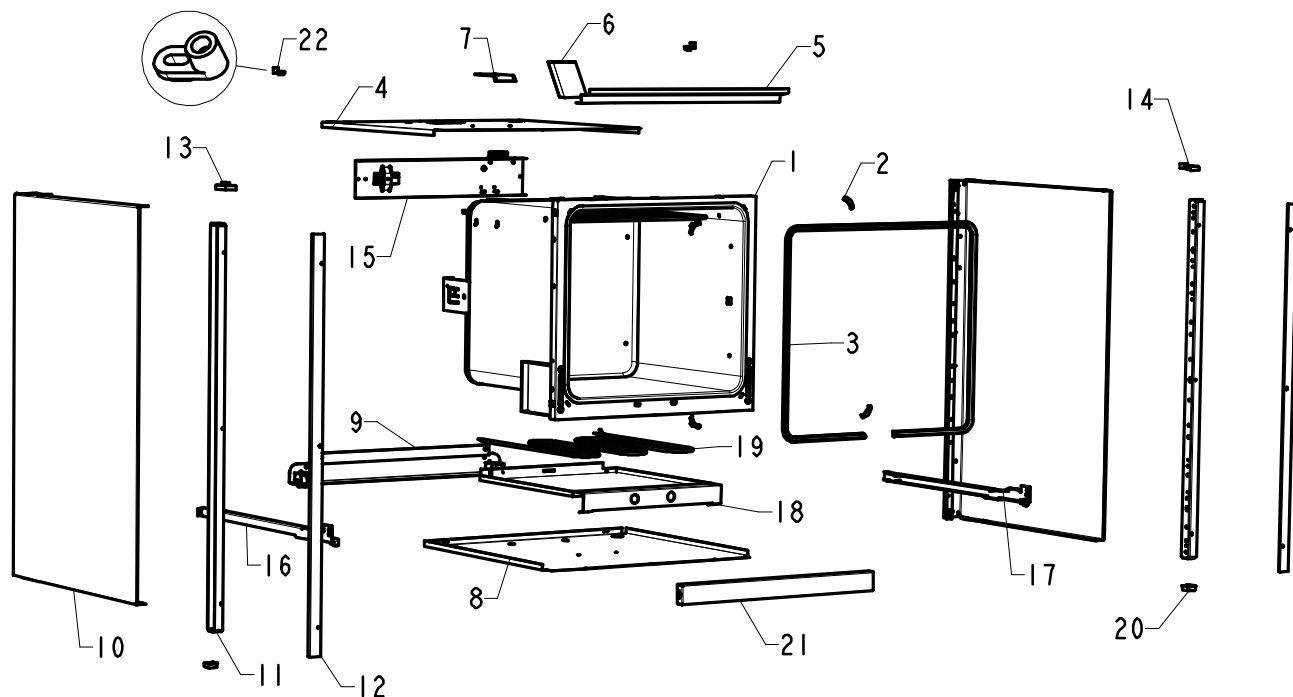
DRG 72429



No	DESCRIPTION	PART No	Qty
1	OVEN ASSEMBLY - MULTIFUNCTION_9 POSN	See page 25	1
2	OVEN GASKET RETAINER	94138	4
3	OVEN GASKET ASSY	70053	1
4	UPPER PLATFORM - CER	72439	1
5	HOB STAY - GRILL	72473/EG	1
6	VENT TUBE - GRILL	72451	1
7	BRACKET - VENT TUBE	72233	1
8	LOWER PLATFORM	72218	1
9	ELEMENT WARMER DRAWER	95627	1
10	ELEMENT SUPPORT CLIP	90046	2
11	BASE ROLLER ASSEMBLY	See page 30	1
12	SIDE PANEL	72474/PP	2
13	SIDE CHANNEL	72216	2
14	SIDE TRIM	72221	2
15	HOB REST PAD LH	72444	1
16	HOB REST PAD RH	72443	1
17	TERMINAL CHANNEL ASSY - GRILL	See page 29	1
18	WARMER DRAWER SLIDE RUNNER ASSY - LH	73043	1
19	WARMER DRAWER SLIDE RUNNER ASSY - RH	73042	1
20	TRAY - LOWER ELEMENT	99217	1
21	ELEMENT-BOTTOM BAKE - CONCEALED	70187	1
22	GRILL COMPARTMENT ASSEMBLY	71080	1
23	VENT TUBE (OVEN-TO-GRILL)	72290	1
24	SKID	72489	2
25	PLINTH	72488/PP	1

CARCASS ASSEMBLY: 3U609W

DRG 72422

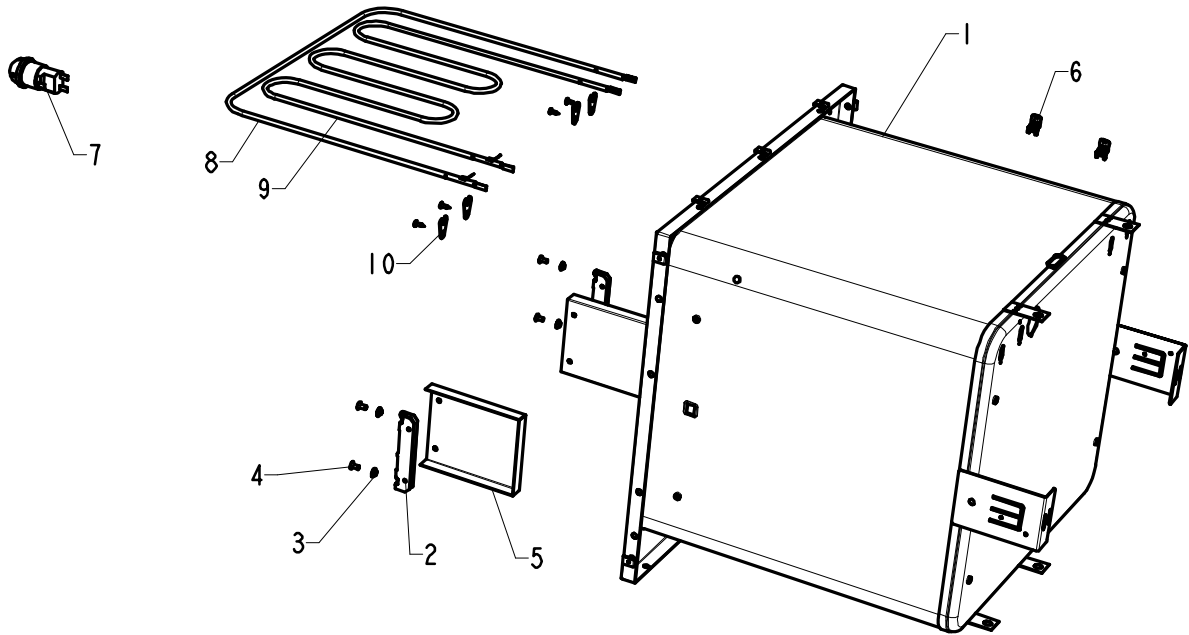


No	DESCRIPTION	PART No	Qty
1	OVEN ASSEMBLY - STANDARD	See page 23	1
2	OVEN GASKET RETAINER	94138	4
3	OVEN GASKET ASSY	70053	1
4	UPPER PLATFORM - CERAMIC	72439	1
5	HOB STAY - NON GRILL	72472/EG	1
6	VENT TUBE - NON GRILL	72497	1
7	BRACKET - VENT TUBE	72233	1
8	LOWER PLATFORM	72218	1
9	BASE ROLLER ASSEMBLY	See page 30	1
10	SIDE PANEL	72474/PP	2
11	SIDE CHANNEL	72216	2
12	SIDE TRIM	72221	2
13	HOB REST PAD LH	72444	1
14	HOB REST PAD RH	72443	1
15	TERMINAL CHANNEL ASSY - WITH FUSE	See page 29	1
16	WARMER DRAWER SLIDE RUNNER ASSY - LH	73043	1
17	WARMER DRAWER SLIDE RUNNER ASSY - RH	73042	1
18	TRAY - LOWER ELEMENT	99217	1
19	ELEMENT-BOTTOM BAKE - CONCEALED	70187	1
20	SKID	72489	2
21	PLINTH	72488/PP	1
22	SPACER	72494	2

OVEN ASSEMBLY – STANDARD

DRG 70242

MODELS: 3U600W, 3U601W,
3U602W, 3U607W, 3U609W

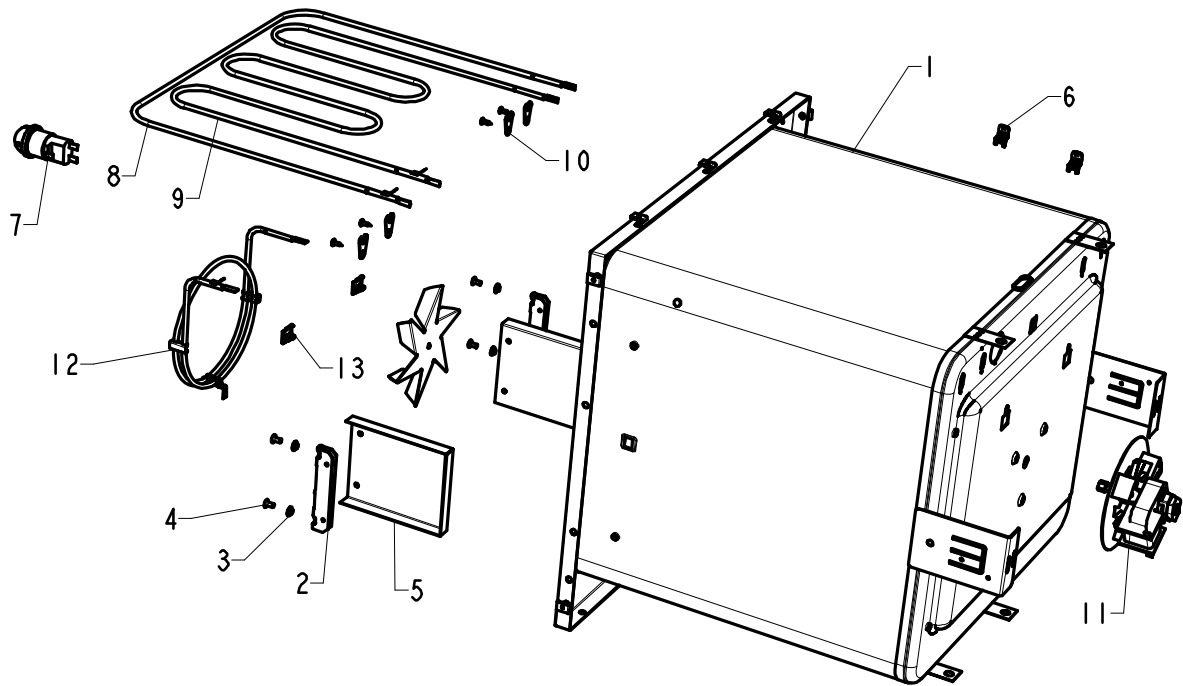


No	DESCRIPTION	PART No	QTY
1	OVEN SW ASSY - STD	70219/EG	1
2	HINGE GUIDE	76106	2
3	COUNTERSUNK BRASS WASHER	76157	4
4	M5 x 8 CSK SCR POZ NP	76123	4
5	HINGE GUIDE COVER	72115	2
6	THERMOSTAT CLIP	96097	2
7	LIGHT ASSEMBLY	95591	1
8	TOP BAKE ELEMENT	70186	1
9	GRILL ELEMENT	70002	1
10	ELEMENT HINGE	70201	4

OVEN ASSEMBLY – MF x 6

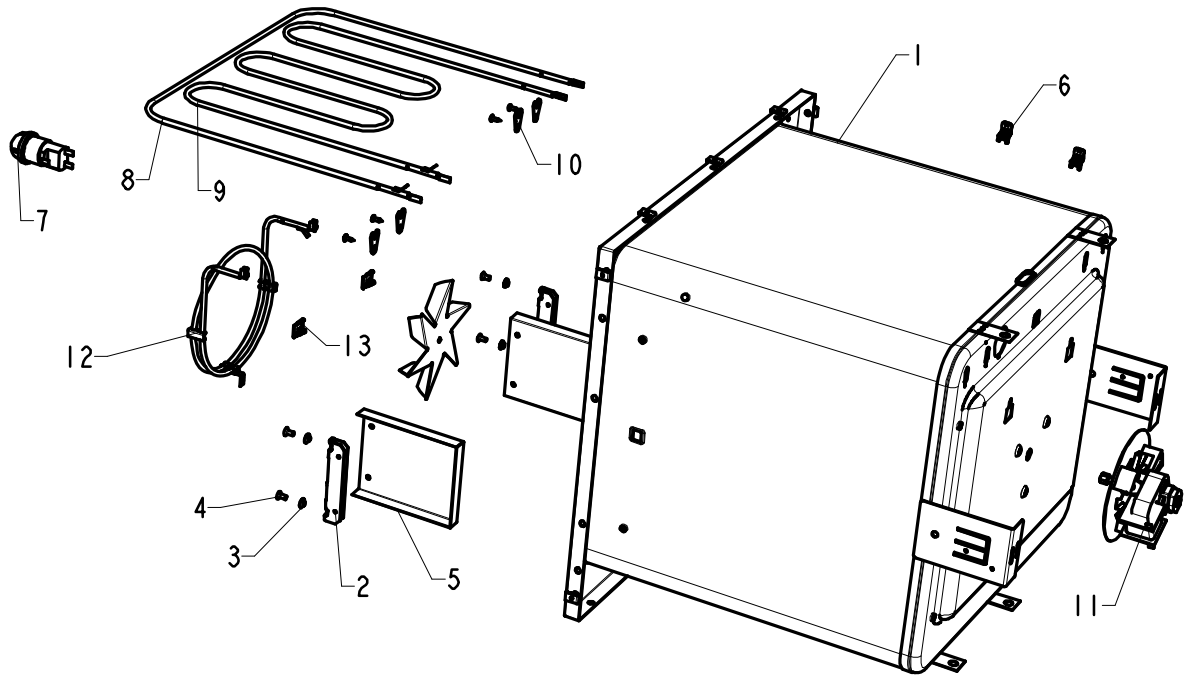
DRG 70243

MODELS: 3U603W, 3U605W,



No	DESCRIPTION	PART No	QTY
1	OVEN SW ASSY - FAN FORCED	70216/EG	1
2	HINGE GUIDE	76106	2
3	COUNTERSUNK BRASS WASHER	76157	4
4	M5 x 8 CSK SCR POZ NP	76123	4
5	HINGE GUIDE COVER	72115	2
6	THERMOSTAT CLIP	96097	2
7	LIGHT ASSEMBLY	95591	1
8	TOP BAKE ELEMENT	70186	1
9	GRILL ELEMENT	70002	1
10	HINGE ELEMENT	70201	4
11	FAN MOTOR ASSY (INC IMPELLOR)	99216	1
12	FAN ELEMENT 2400W	70178	1
13	ELEMENT CLIP	71063	2

OVEN ASSEMBLY – MF x 9
 DRG 70251
 MODELS: 3U604W, 3U606W, 3U608W

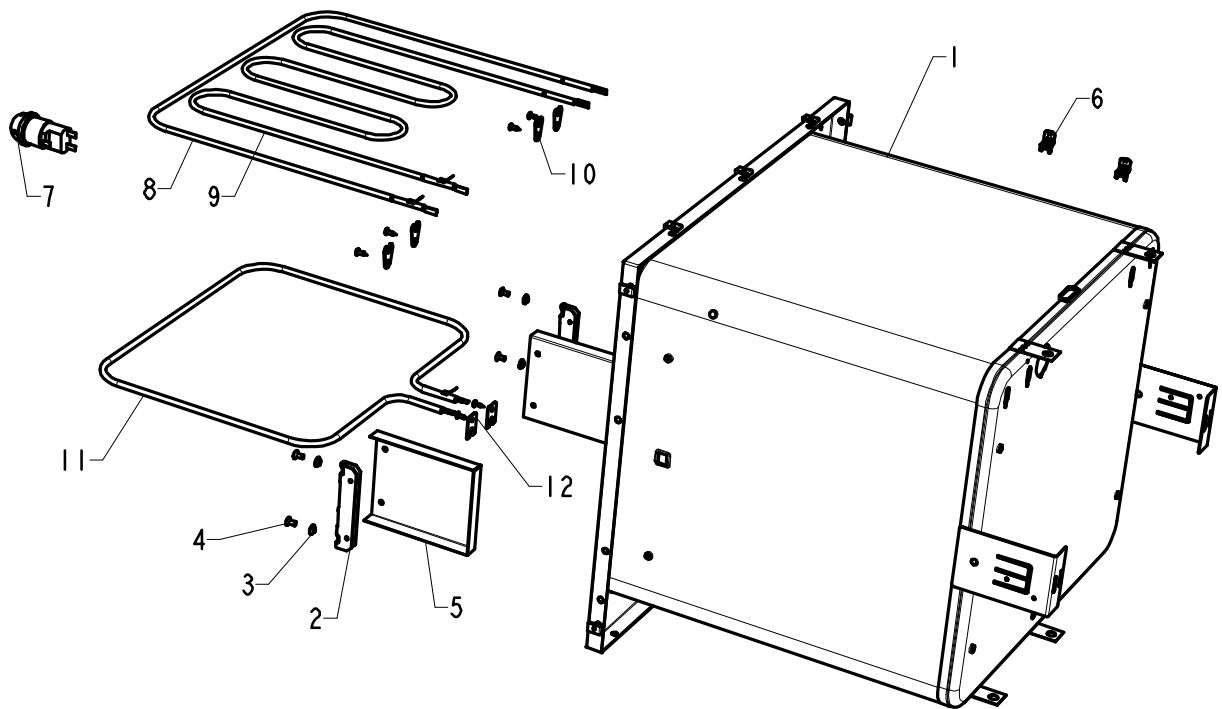


No	DESCRIPTION	PART No	QTY
1	OVEN SW ASSY - FAN FORCED	70216/EG	1
2	HINGE GUIDE	76106	2
3	COUNTERSUNK BRASS WASHER	76157	4
4	M5 x 8 CSK SCR POZ NP	76123	4
5	HINGE GUIDE COVER	72115	2
6	THERMOSTAT CLIP	96097	2
7	LIGHT ASSEMBLY	95591	1
8	TOP BAKE ELEMENT	70186	1
9	GRILL ELEMENT	70002	1
10	ELEMENT HINGE	70201	4
11	FAN MOTOR ASSY (INC IMPELLOR)	99216	1
12	FAN ELEMENT - 2200W	0122004395	1
13	ELEMENT CLIP	71063	2

OVEN ASSEMBLY – HNZ

DRG 70247

MODELS: 3U601HW

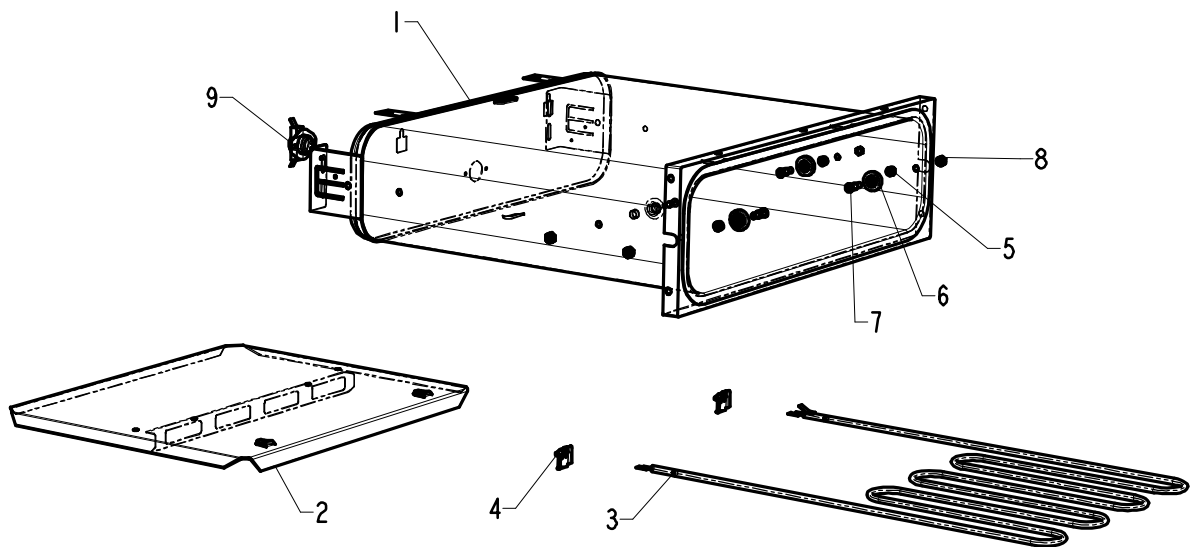


No	DESCRIPTION	PART No	QTY
1	OVEN SW ASSY - HNZ	70215/EG	1
2	HINGE GUIDE	76106	2
3	COUNTERSUNK BRASS WASHER	76157	4
4	M5 x 8 CSK SCR POZ NP	76123	4
5	HINGE GUIDE COVER	72115	2
6	THERMOSTAT CLIP	96097	2
7	LIGHT ASSEMBLY	95591	1
8	TOP BAKE ELEMENT	70186	1
9	GRILL ELEMENT	70002	1
10	ELEMENT HINGE	70201	4
11	BOTTOM BAKE ELEMENT	70261	1
12	ELEMENT HINGE	70201	2

GRILL COMPARTMENT

DRG 71080

MODELS: 3U607W, 3U608W,

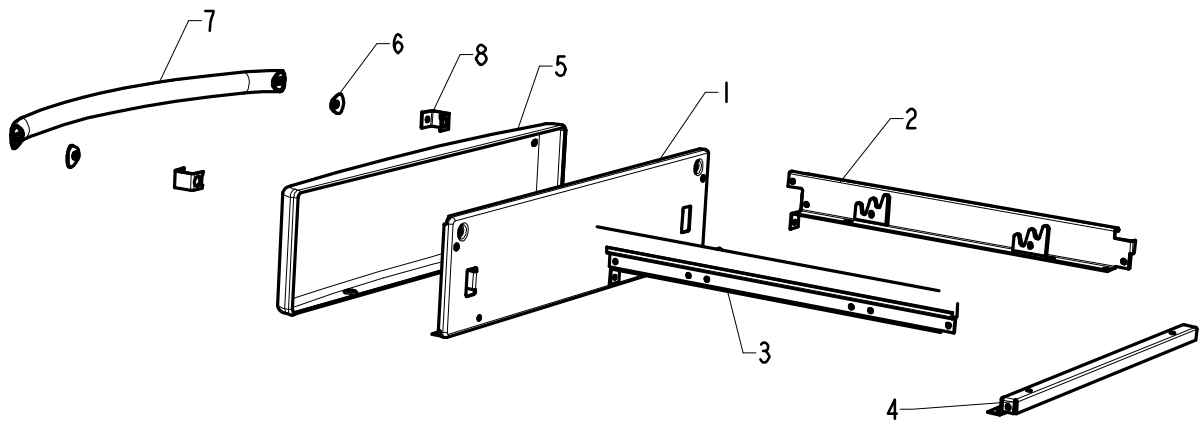


No	DESCRIPTION	PART No	Qty
1	GRILL COMPARTMENT SW ASSY	71064/EG	1
2	REFLECTOR ASSY	94509	1
3	GRILL ELEMENT	71060	1
4	ELEMENT CLIP	71063	2
5	SPACER	71013	4
6	GRILL ROLLER - TEFLON	71059	4
7	ROLLER SHAFT	71043	4
8	M6 'CONELOK' NUT	48847	4
9	THERMAL CUT-OUT	40070	1

GRILL DOOR ASSEMBLY

DRG 71079

MODELS: 3U607W, 3U608W,

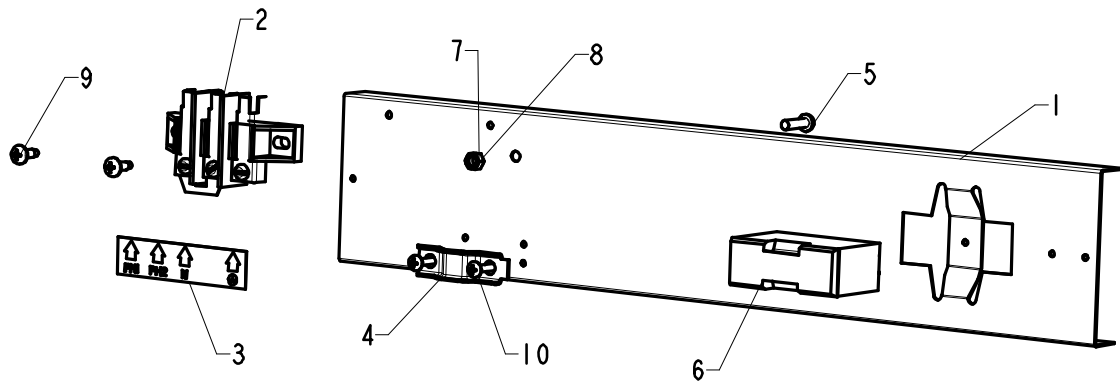


No	DESCRIPTION	PART No	Qty
1	GRILL DOOR LINING	71032/EG	1
2	GRILL RUNNER SIDE ASSY LH	71050	1
3	GRILL RUNNER SIDE ASSY RH	71051	1
4	BACK BAR CHANNEL	71066C	1
5	GRILL DOOR PANEL	73030/EC	1
6	HANDLE PAD	76463	2
7	HANDLE	76461/PW	1
8	HANDLE FIXING BKT	76247	2

TERMINAL CHANNEL ASSEMBLY

DRG 72433/72434

MODELS: ALL



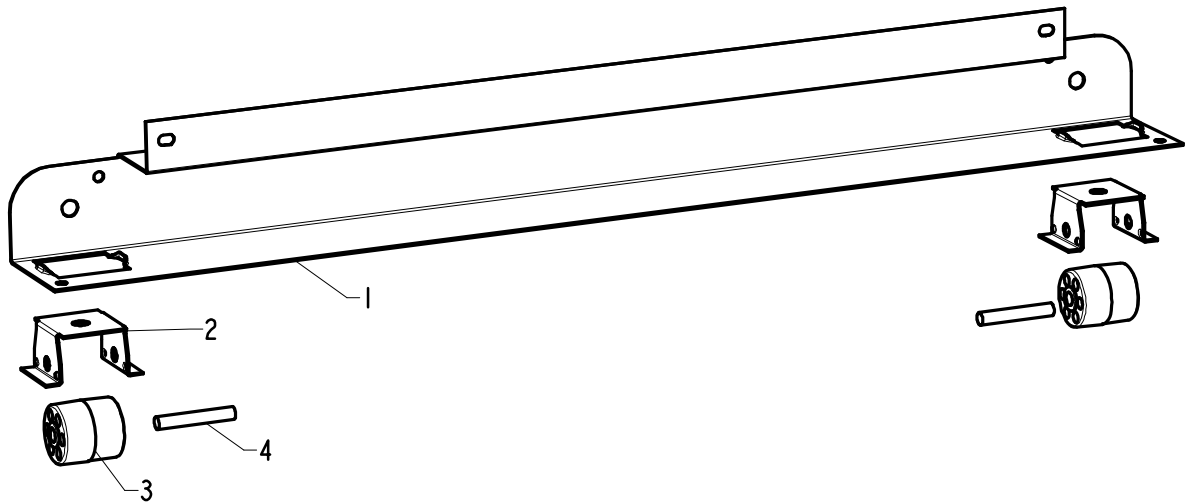
3U601W
 3U601HW
 3U602W
 3U603W
 3U604W
 3U605W
 3U606W
 3U607W
 3U608W
 3U609W 3U600W

No	DESCRIPTION
1	CHANNEL - TERMINAL
2	MAINS TERMIAL BLOCK
3	LABEL - MAINS TERMINAL
4	CABLE CLAMP
5	EARTH STUD - M5
6	FUSE ASSY - 15A
	FUSE BASE
	FUSE TOP
7	M5 NUT
8	M5 LOCK WASHER
9	SCREW 10 x 1/2 AB
10	SREW 8 x 3/4 AB

PART No	Qty	Qty
72360	1	1
72361	1	1
77427	1	1
92149	1	1
52286	1	1
95634	1	
20164	1	
48833	1	1
48943	1	1
53843	2	2
53634	2	2

BASE ROLLER ASSEMBLY

DRG 72496
MODELS: ALL

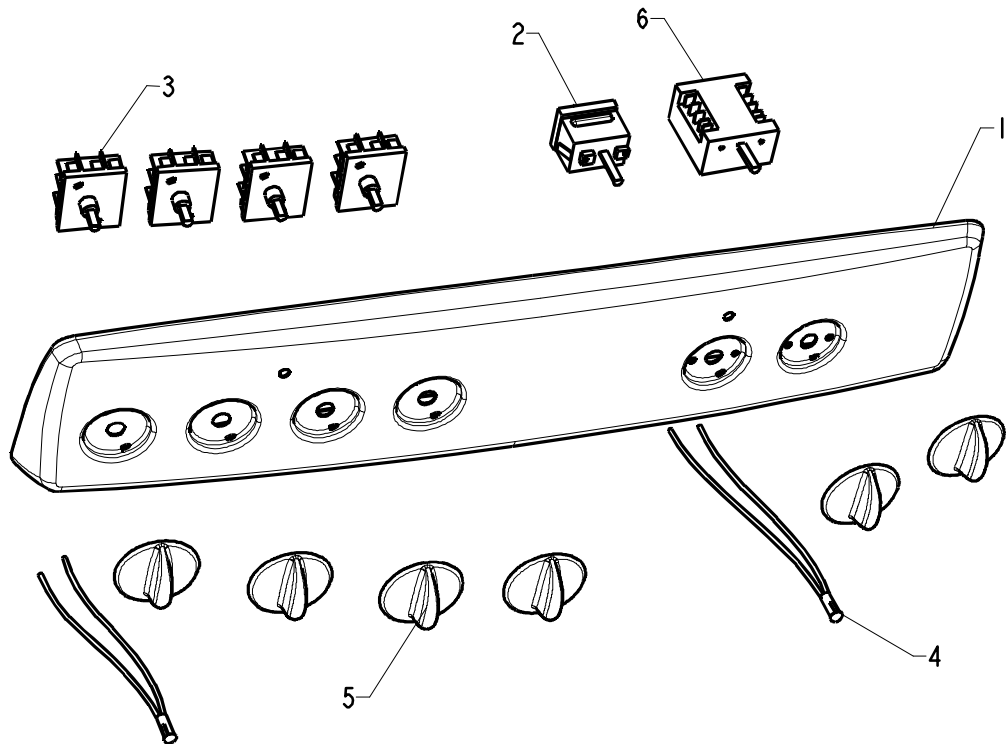


No	DESCRIPTION	PART No	QTY
1	ROLLER CARRIER BRACKET	72487	1
2	ROLLER MOUNTING BRACKET	72476	2
3	ROLLER	72475	2
4	AXLE	72477	2

SWITCHPANEL ASSEMBLY

DRG 84237

MODEL: 3U600W - MERCURY



No DESCRIPTION

- 1 SWITCHPANEL SCREEN 3U600W
- 2 THERMOSTAT
- 3 ENERGY REGULATOR MP-101
- 4 NEON
- 5 KNOB
- 6 GRILL/ BAKE SWITCH

PART No

- 84222/EC
- 0541001931
- 84067
- 0060002064
- 84285
- 84341

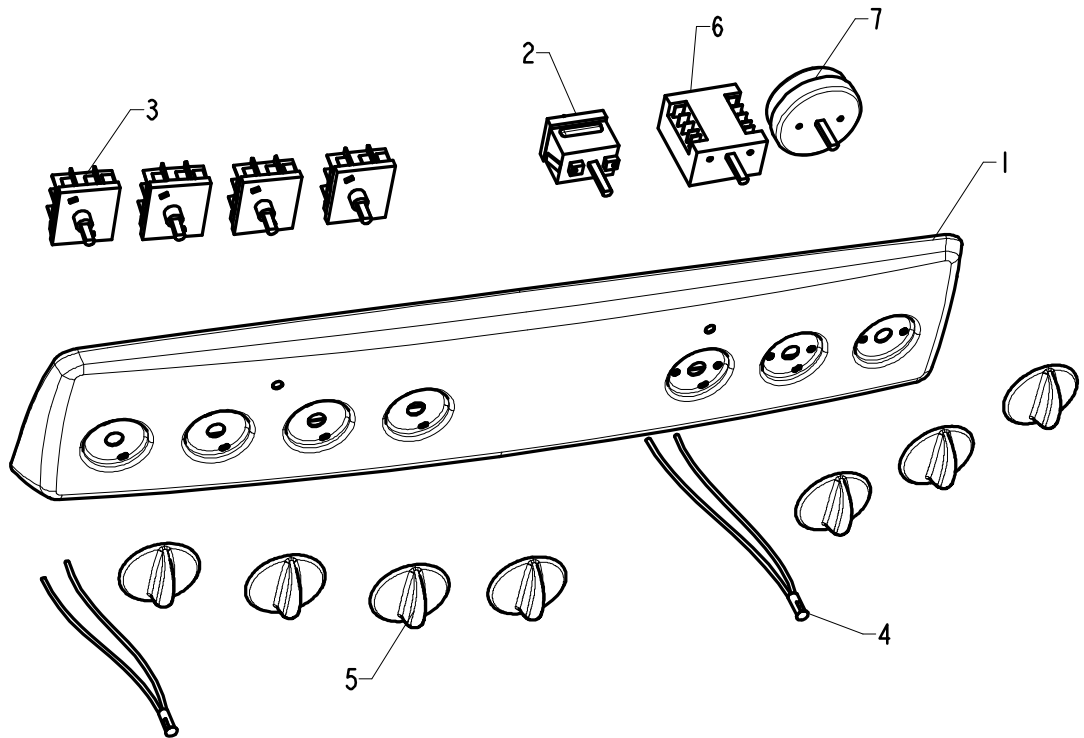
QTY

- 1
- 1
- 4
- 2
- 6
- 1

SWITCHPANEL ASSEMBLY

DRG 84238

MODEL: 3U601W 3U601HW - COLOMBO



No DESCRIPTION

- 1 SWITCHPANEL SCREEN 3U601W
- 2 THERMOSTAT
- 3 ENERGY REGULATOR MP-101
- 4 NEON
- 5 KNOB
- 6 GRILL/ BAKE SWITCH
- 7 TIMER

PART No

- 84223/EC
- 0541001931
- 84067
- 0060002064
- 84285
- 84341
- 74591

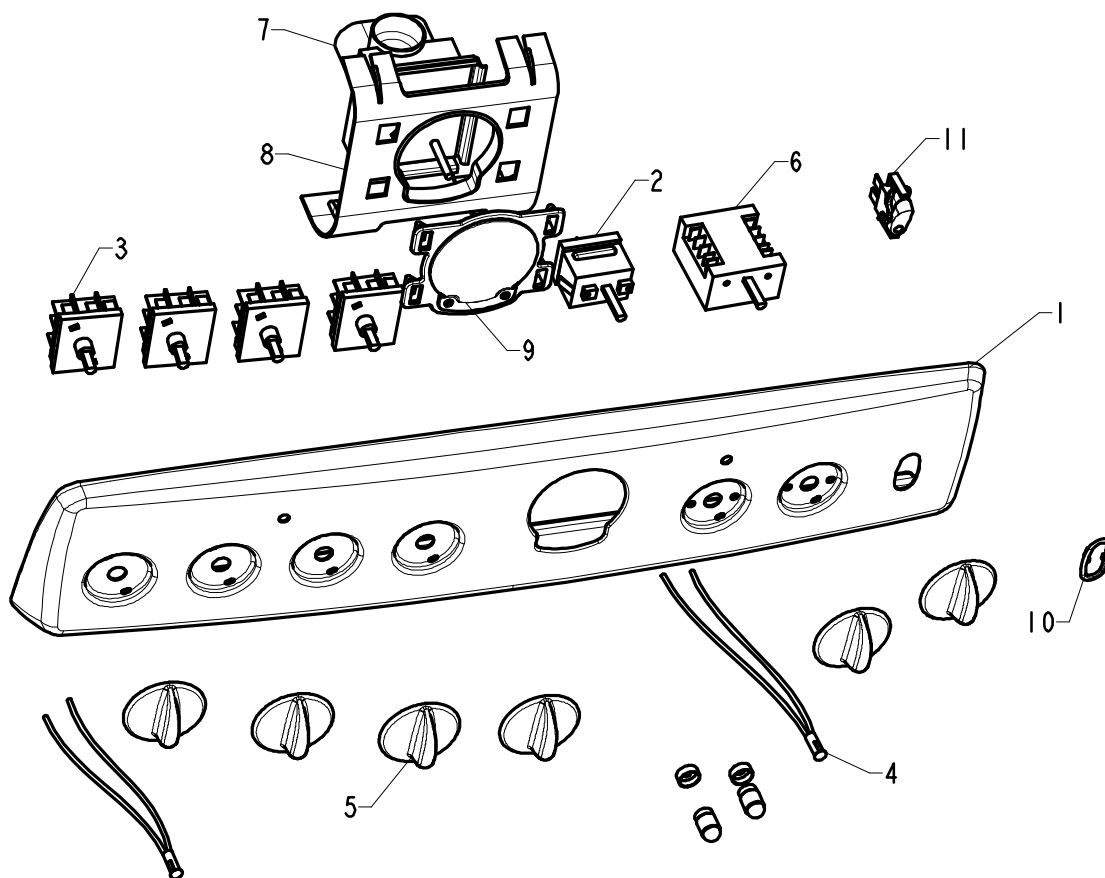
QTY

- 1
- 1
- 4
- 2
- 7
- 1
- 1

SWITCHPANEL ASSEMBLY

DRG 84239

MODEL: 3U602W - NEPTUNE



No DESCRIPTION

1 SWITCHPANEL SCREEN 3U602W
 2 THERMOSTAT
 3 ENERGY REGULATOR MP-101
 4 NEON
 5 KNOB
 6 GRILL/ BAKE SWITCH
 7 ANALOGUE CLOCK ASSY
 8 CLOCK MOUNTING BKT
 9 CLOCK LENS
 10 SWITCH BEZEL
 11 WARMER SWITCH

PART No

84224/EC
 0541001931
 84067
 0060002064
 84285
 84341
 84252
 84286
 84253
 84289
 84213

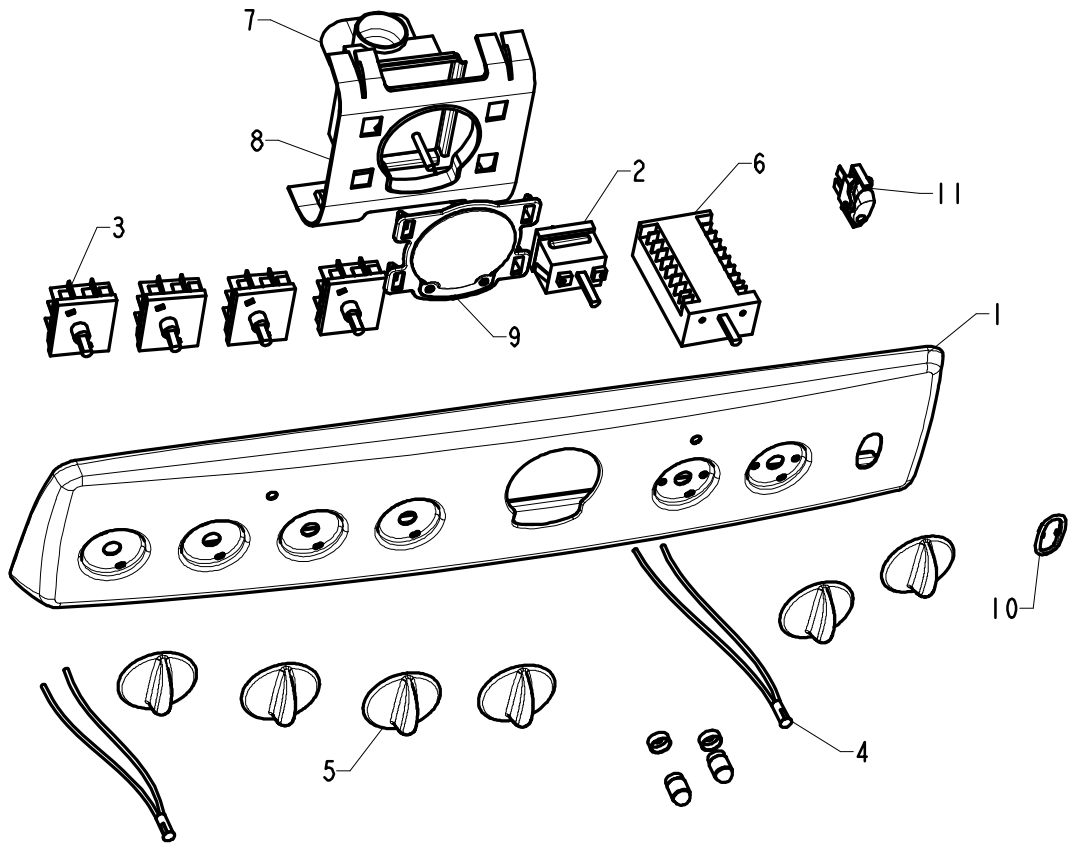
QTY

1
 1
 4
 2
 6
 1
 1
 1
 1
 1
 1

SWITCHPANEL ASSEMBLY

DRG 84240

MODEL: 3U603W - SATURN



No DESCRIPTION

1 SWITCHPANEL SCREEN 3U603W
 2 THERMOSTAT
 3 ENERGY REGULATOR MP-101
 4 NEON
 5 KNOB
 6 MULTIFUNCTION SW (6-POS)
 7 ANALOGUE CLOCK ASSY
 8 CLOCK MOUNTING BKT
 9 CLOCK LENS
 10 SWITCH BEZEL
 11 WARMER SWITCH

PART No

84225/EC
 0541001931
 84067
 0060002064
 84285
 84200
 84252
 84286
 84253
 84289
 84213

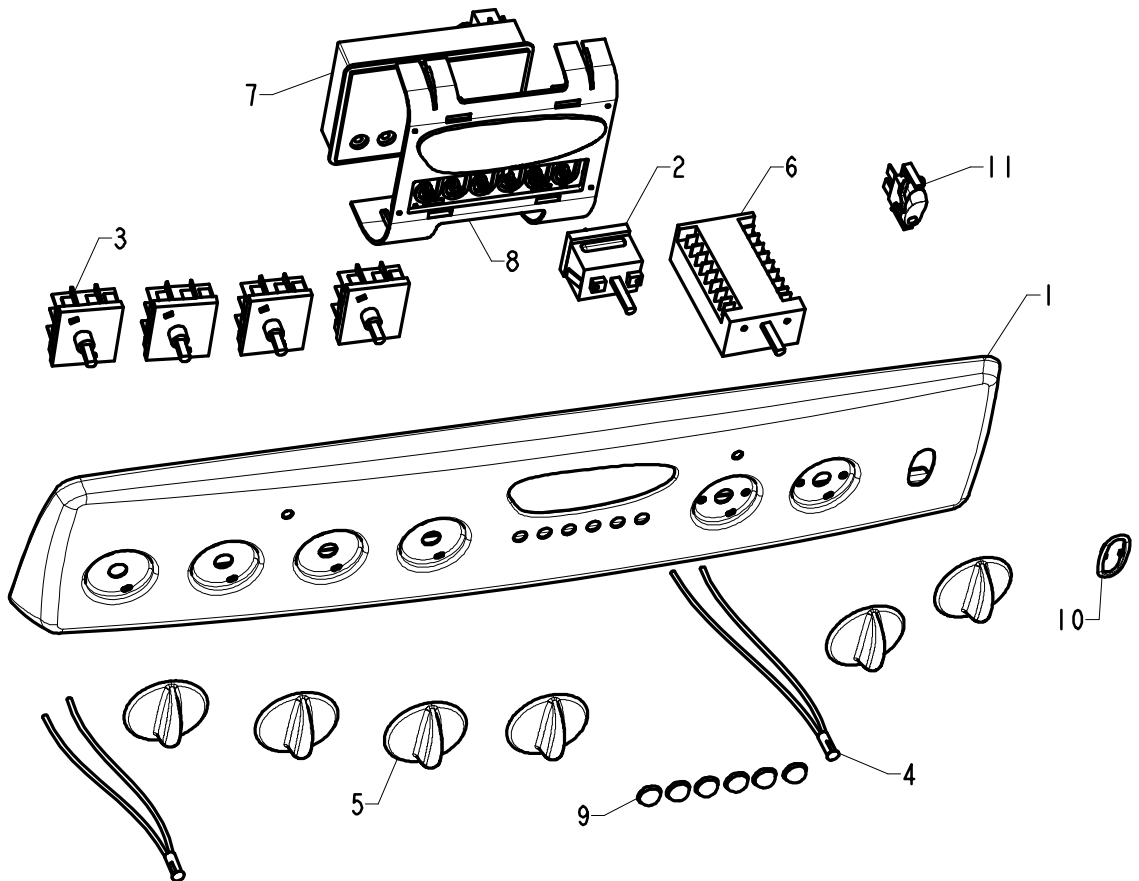
QTY

1
 1
 4
 2
 6
 1
 1
 1
 1
 1
 1
 1

SWITCHPANEL ASSEMBLY

DRG 84241

MODEL: 3U604W - GEMINI



No DESCRIPTION

1 SWITCHPANEL SCREEN 3U604W
 2 THERMOSTAT
 3 ENERGY REGULATOR MP-101
 4 NEON
 5 KNOB
 6 MULTIFUNCTION SW: 9-POS
 7 DIGITAL CLOCK
 8 CLOCK LENS - SIMPSON
 9 CLOCK BUTTON
 10 SWITCH BEZEL
 11 WARMER SWITCH

PART No

84226/EC
 0541001931
 84067
 0060002064
 84285
 84167
 74834
 84254
 0574001228
 84289
 84213

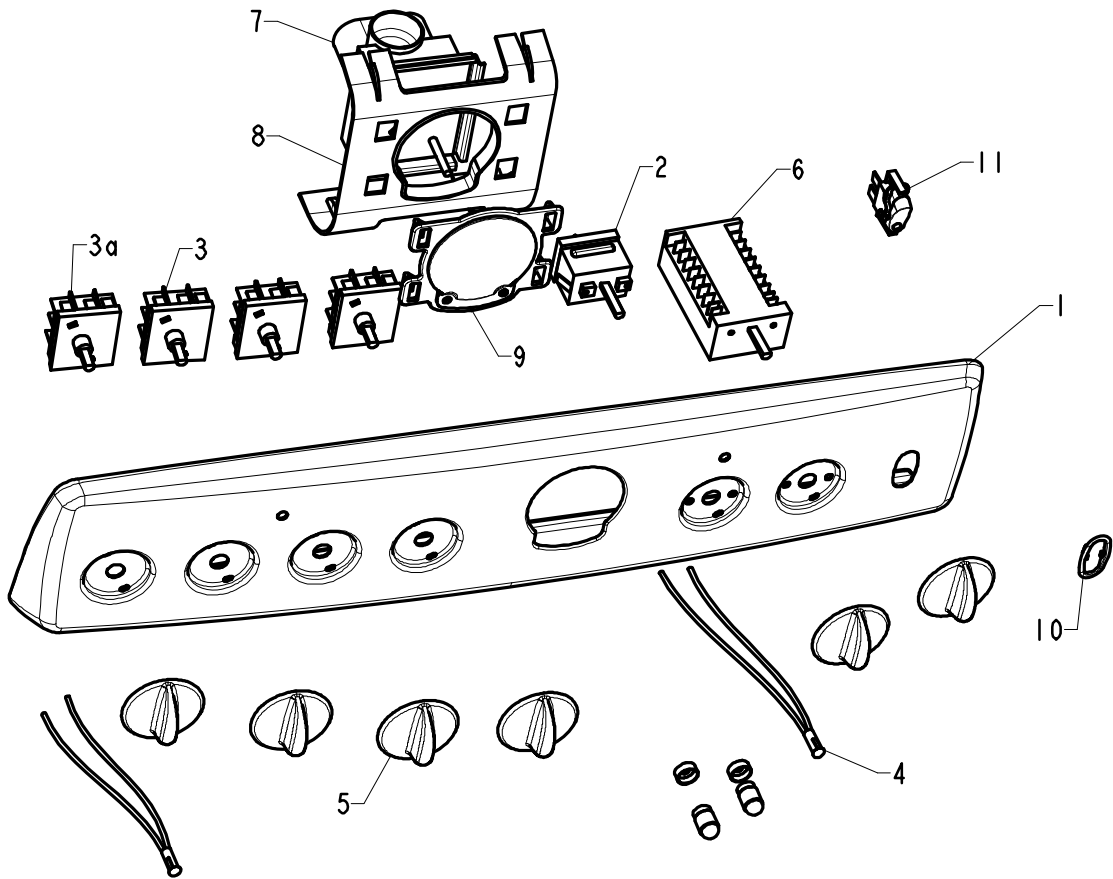
QTY

1
 1
 4
 2
 6
 1
 1
 1
 6
 1
 1

SWITCHPANEL ASSEMBLY

DRG 84242

MODEL: 3U605W - POLARIS



No DESCRIPTION

- 1 SWITCHPANEL SCREEN 3U605W
- 2 THERMOSTAT
- 3 ENERGY REGULATOR MP-101
- 3a ENERGY REGULATOR MDP-110
- 4 NEON
- 5 KNOB
- 6 MULTIFUNCTION SW: 6-POS
- 7 ANALOGUE CLOCK ASSY
- 8 CLOCK MOUNTING BKT
- 9 CLOCK LENS
- 10 SWITCH BEZEL
- 11 WARMER SWITCH

PART No

- 84227/EC
- 0541001931
- 84067
- 84068
- 0060002064
- 84285
- 84200
- 84252
- 84286
- 84253
- 84289
- 84213

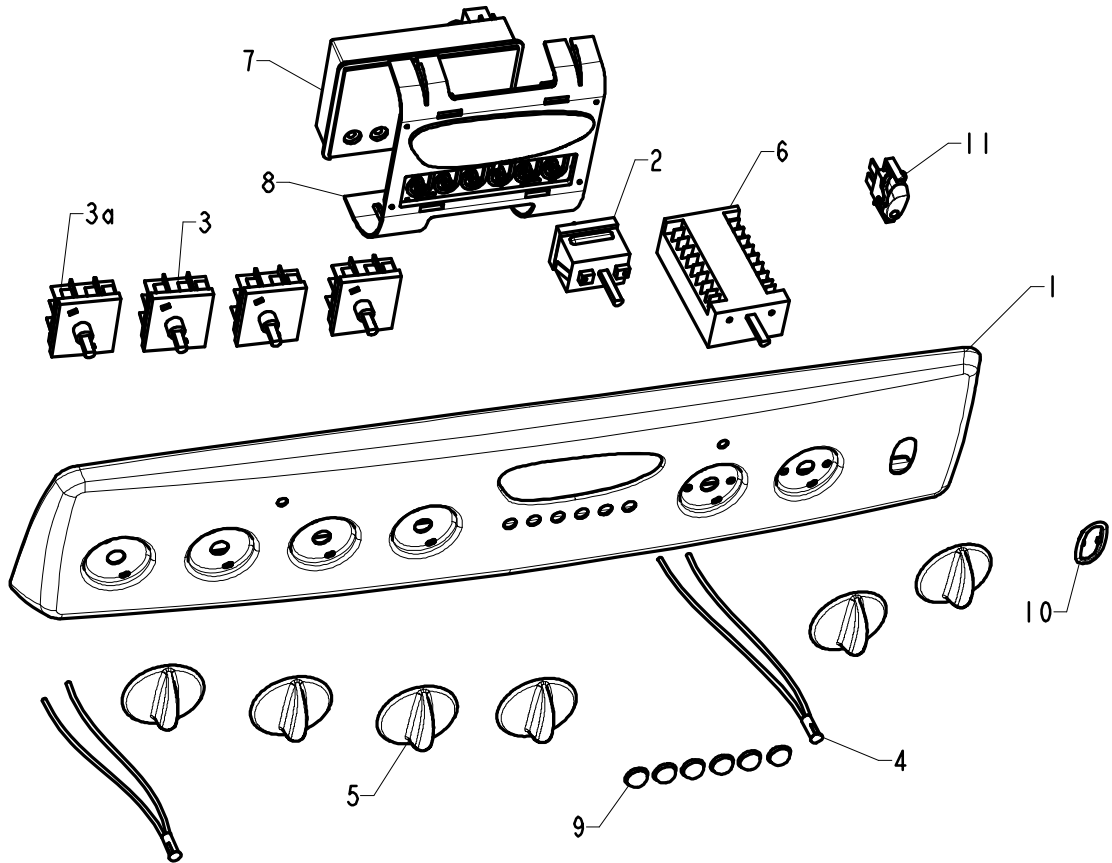
QTY

- 1
- 1
- 3
- 1
- 2
- 6
- 1
- 1
- 1
- 1
- 1
- 1

SWITCHPANEL ASSEMBLY

DRG 84243

MODEL: 3U606W - APOLLO



No DESCRIPTION

- 1 SWITCHPANEL SCREEN 3U606W
- 2 THERMOSTAT
- 3 ENERGY REGULATOR MP-101
- 3a ENERGY REGULATOR MDP-110
- 4 NEON
- 5 KNOB
- 6 MULTIFUNCTION SW: 9-POS
- 7 DIGITAL CLOCK
- 8 CLOCK LENS - SIMPSON
- 9 CLOCK BUTTON
- 10 SWITCH BEZEL
- 11 WARMER SWITCH

PART No

- 84228/EC
- 0541001931
- 84067
- 84068
- 0060002064
- 84285
- 84167
- 74834
- 84254
- 05740010228
- 84289
- 84213

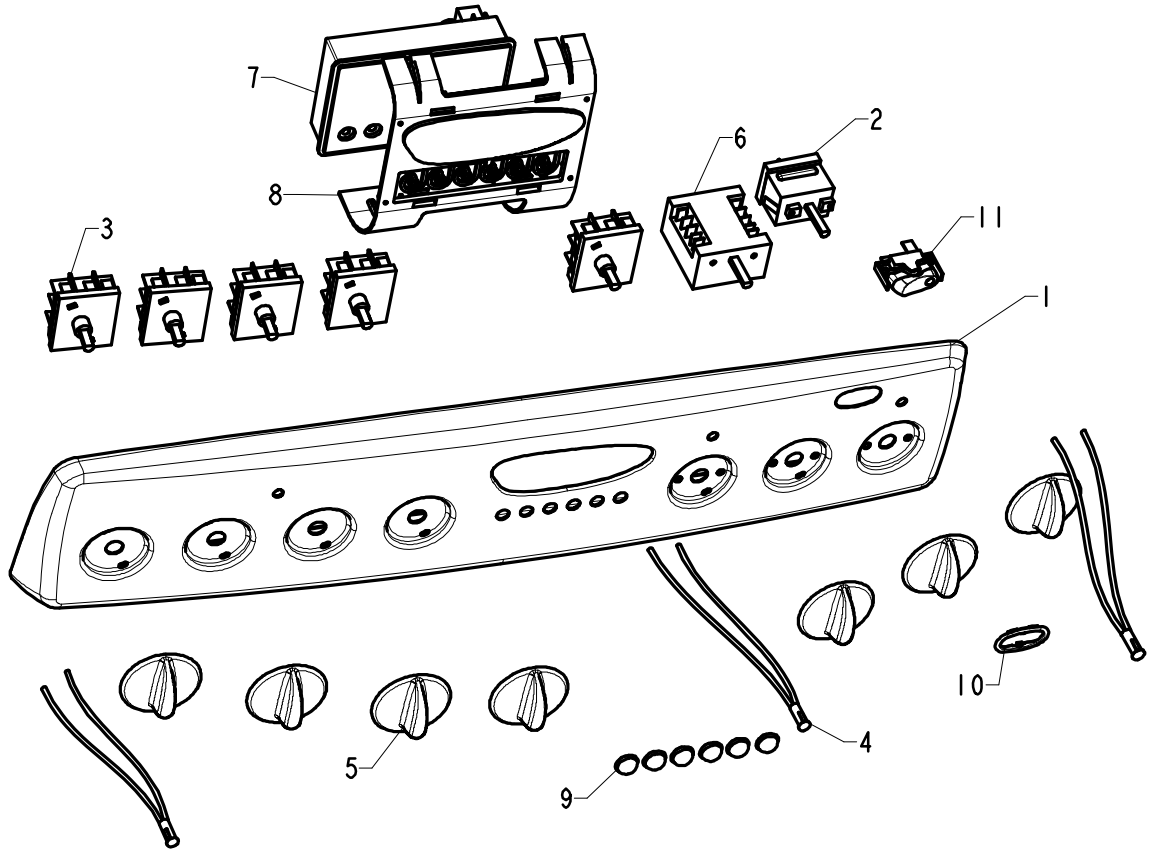
QTY

- 1
- 1
- 3
- 1
- 2
- 6
- 1
- 1
- 1
- 6
- 1
- 1

SWITCHPANEL ASSEMBLY

DRG 84244

MODEL: 3U607W - COSMOS

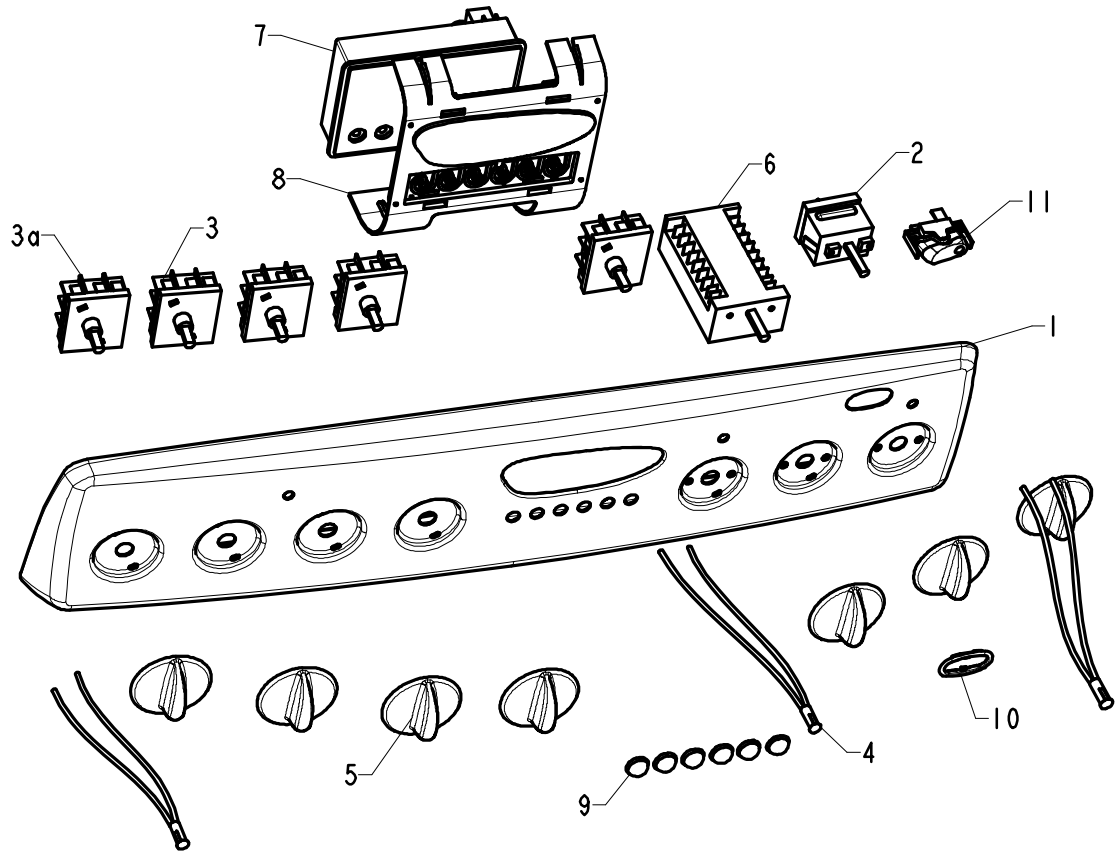


No	DESCRIPTION	PART No	QTY
1	SWITCHPANEL SCREEN 3U607W	84229/EC	1
2	THERMOSTAT	0541001931	1
3	ENERGY REGULATOR MP-101	84067	5
4	NEON	0060002064	3
5	KNOB	84285	7
6	GRILL/ BAKE SWITCH	84341	1
7	DIGITAL CLOCK	74834	1
8	CLOCK LENS - SIMPSON	84254	1
9	CLOCK BUTTON	0574001228	6
10	SWITCH BEZEL	84289	1
11	WARMER SWITCH	84213	1

SWITCHPANEL ASSEMBLY

DRG 84245

MODEL: 3U608W - ALPHA



No DESCRIPTION

- 1 SWITCHPANEL SCREEN 3U608W
- 2 THERMOSTAT
- 3 ENERGY REGULATOR MP-101
- 3a ENERGY REGULATOR MDP-110
- 4 NEON
- 5 KNOB
- 6 MULTIFUNCTION SW: 9-POS
- 7 DIGITAL CLOCK
- 8 CLOCK LENS - SIMPSON
- 9 CLOCK BUTTON
- 10 SWITCH BEZEL
- 11 WARMER SWITCH

PART No

- 84230/EC
- 0541001931
- 84067
- 84068
- 0060002064
- 84285
- 84167
- 74834
- 84254
- 0574001228
- 84289
- 84213

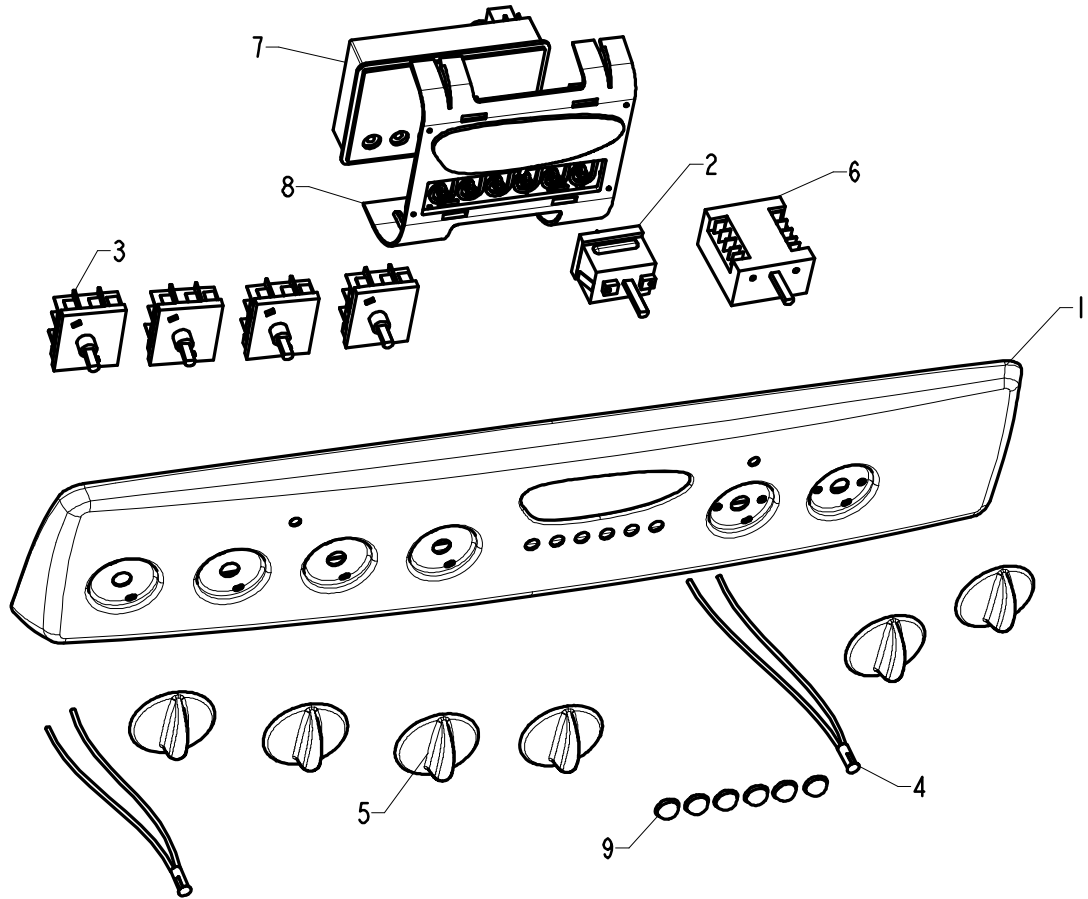
QTY

- 1
- 1
- 3
- 1
- 3
- 7
- 1
- 1
- 1
- 6
- 1
- 1

SWITCHPANEL ASSEMBLY

DRG 84246

MODEL: 3U609W - JUPITER



No DESCRIPTION

- 1 SWITCHPANEL SCREEN 3U609W
- 2 THERMOSTAT
- 3 ENERGY REGULATOR MP-101
- 4 NEON
- 5 KNOB
- 6 GRILL/ BAKE SWITCH
- 7 DIGITAL CLOCK
- 8 CLOCK LENS - SIMPSON
- 9 CLOCK BUTTON

PART No

- 84231/EC
- 0541001931
- 84067
- 0060002064
- 84285
- 84341
- 74834
- 84254
- 0574001228

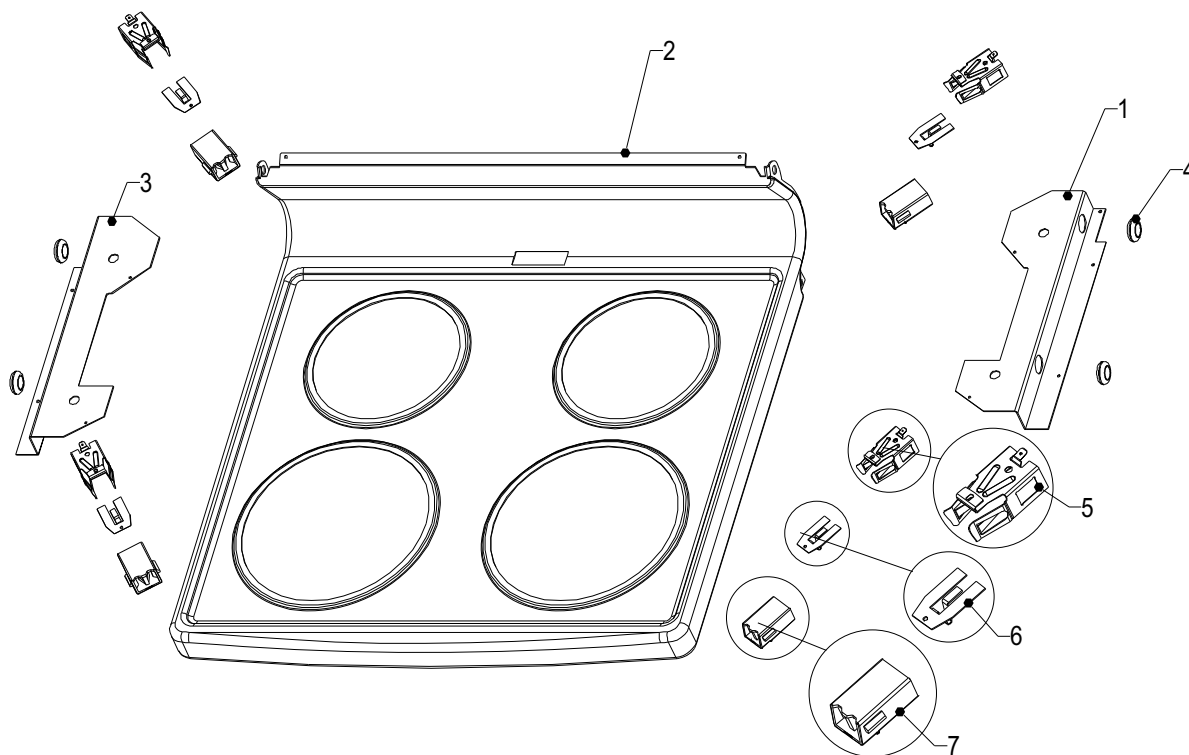
QTY

- 1
- 1
- 4
- 2
- 6
- 1
- 1
- 1
- 6

HOB ASSEMBLY - RADIANT

DRG 75348

MODEL: 3U600W, 3U601W, 3U601HW,
3U602W, 3U603W, 3U604W, 3U607W

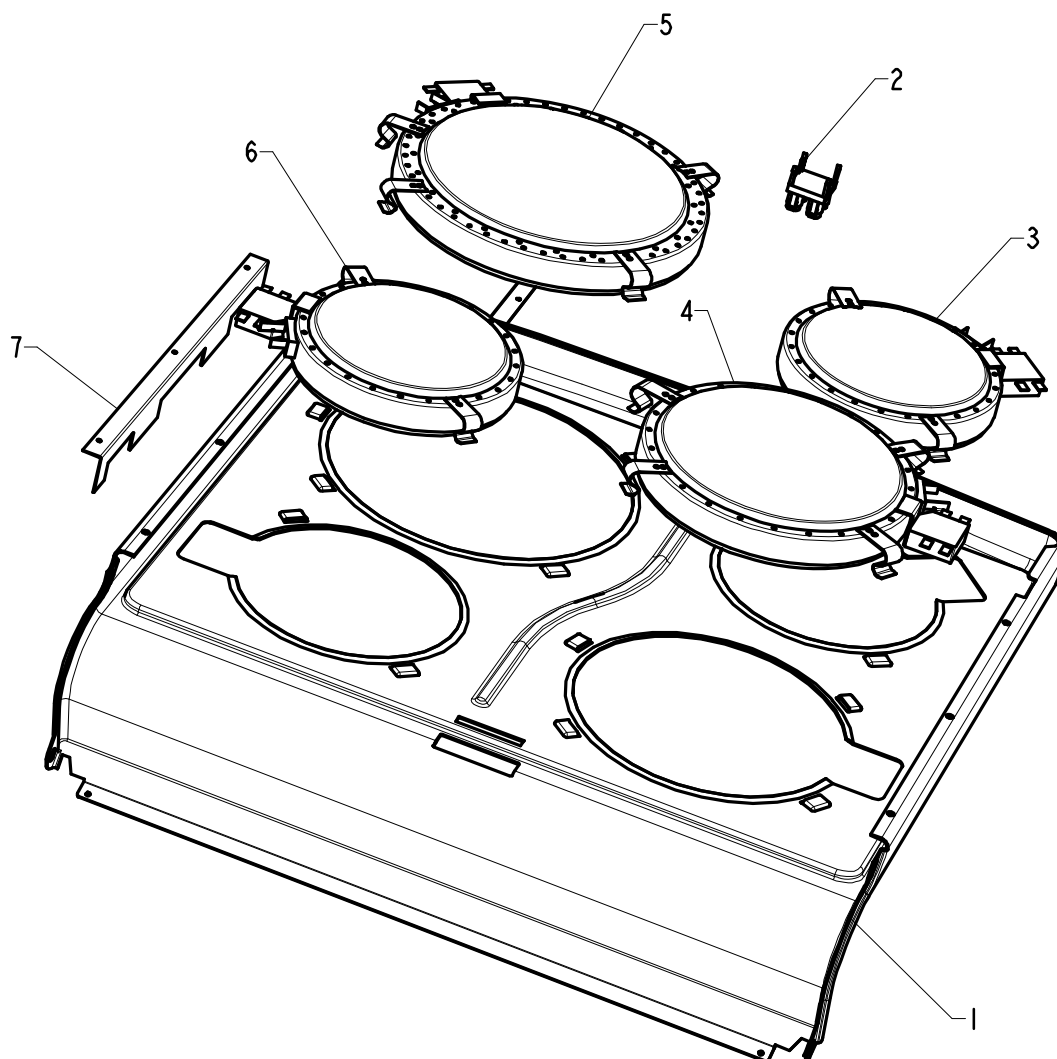


No	DESCRIPTION	PART No	Qty
1	MOUNTING BKT RHS	75407	1
2	HOB	75350/EC	2
3	MOUNTING BKT LHS	75406	1
4	GROMMET	75387	4
5	CLIP	75404	4
6	SAFETY GUARD	75537	4
7	CONTACT BLOCK ASSY	99245	4

HOB ASSEMBLY - CERAMIC

DRG 75354/75362

MODEL: 3U605W, 3U606W,
3U608W, 3U609W



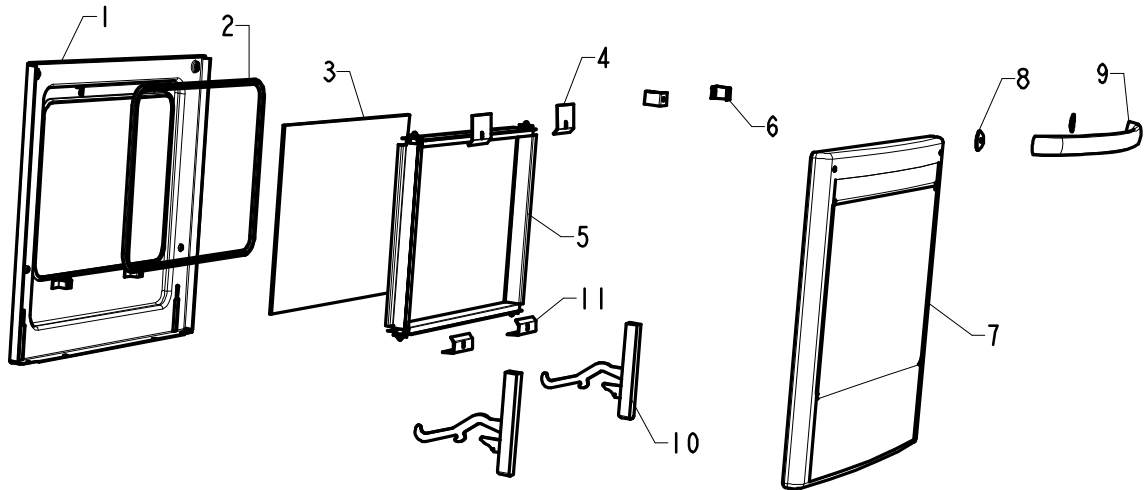
3U605W
3U609W 3U606W
3U608W

No	DESCRIPTION	PART No	QTY	QTY
1	HOB/GLASS ASSY - 'SINGLE'	75355	1	
	HOB/GLASS ASSY - 'DUAL'	75356		1
2	HOTLIGHT	75371	1	1
3	1200W ELEMENT - Ceramaspeed	389070002	2	2
4	1800W ELEMENT - Ceramaspeed	389070102	1	1
5	2200W ELEMENT - Ceramaspeed	389070202	1	
	DUAL ELEMENT - Ceramaspeed	389070402		1
6	SPRING	75361	12	12
7	SUPPORT CHANNEL	75389	2	2

DOOR ASSEMBLY - VARIOUS

DRG 76551/76552/76560

MODEL: ALL

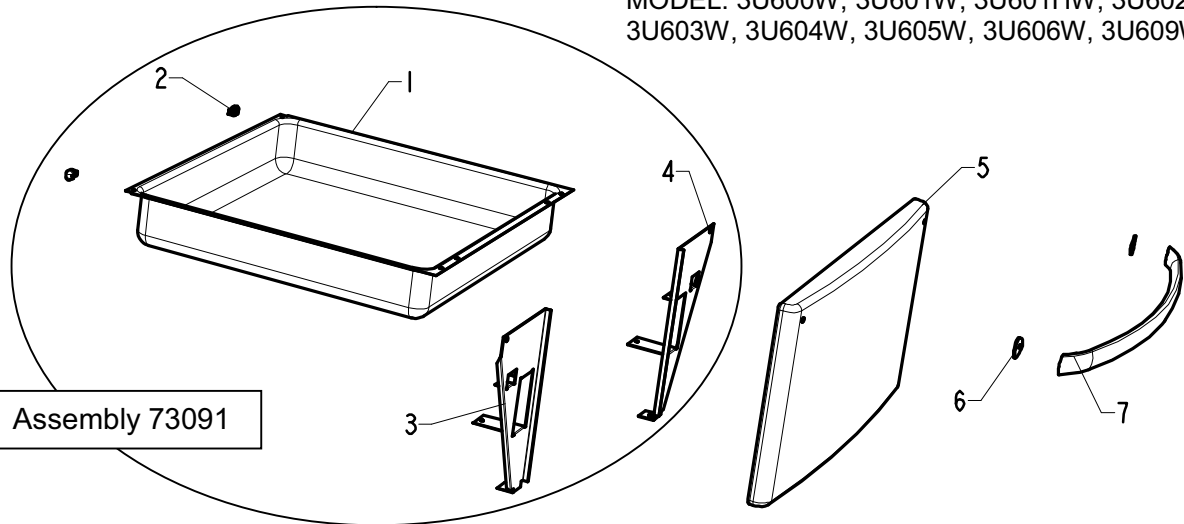


No	DESCRIPTION	PART No	Qty	3U600W	3U603W
				3U601W	3U604W
				3U602W	3U605W
				3U607W	3U606W
				3U609W	3U608W
				3U601HW	
No	DESCRIPTION	PART No	Qty	Qty	Qty
1	DOOR LINING SW ASSY (printed)	76245/EGS	1	-	1
	DOOR LINING SW ASSY (plain)	76245/EG	-	1	-
2	INNER DOOR GASKET	76558	1	1	1
3	INNER DOOR GLASS	76557	1	1	1
4	DOOR GLASS RETAINER-TOP	76196	2	2	2
5	DOOR GLASS SPACER ASSY	76474	1	1	1
6	HANDLE FIXING BKT	76247	2	2	2
7	FRONT PANEL ASSY - STD	76554	1	1	-
	FRONT PANEL ASSY - MF	76555	-	-	1
8	HANDLE PAD	76463	2	2	2
9	HANDLE	76461/PW	1	1	1
10	HINGE	76427	2	2	2
11	DOOR GLASS RETAINER-BOTTOM	90119	2	2	2

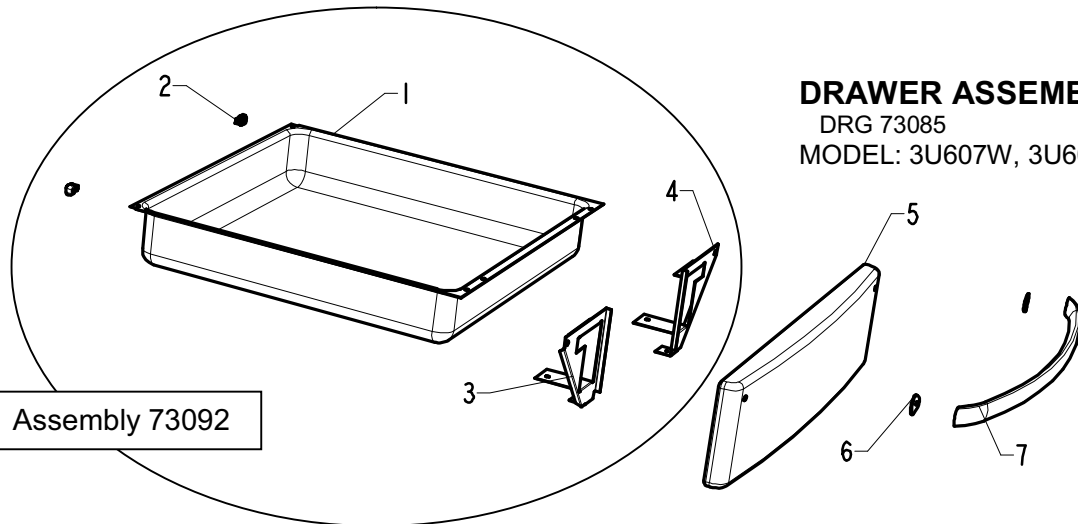
DRAWER ASSEMBLY

DRG 73084

MODEL: 3U600W, 3U601W, 3U601HW, 3U602W,
3U603W, 3U604W, 3U605W, 3U606W, 3U609W



Assembly 73091



Assembly 73092

DRAWER ASSEMBLY

DRG 73085

MODEL: 3U607W, 3U608W

3U600W
3U601W
3U601HW
3U602W
3U603W
3U604W
3U605W
3U606W 3U607W
3U609W 3U608W

No DESCRIPTION

- 1 DRAWER BODY
- 2 SLIDE BLOCK
- 3 DRAWER MTG BKT LH
- 4 DRAWER MTG BKT LH
- 5 FRONT PANEL
- 6 HANDLE PAD
- 7 HANDLE

PART No

- 73079/PW
- 46001
- 73049
- 73083
- 73048
- 73082
- 73029/EC
- 73030/EC
- 76463
- 76461/PW

Qty

- 1
- 2
- 1
-
- 1
-
- 1
-
- 2
- 1

Qty

- 1
- 2
-
- 1
-
- 1
-
- 1
- 2
- 1

ACCESSORIES



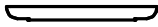
78073
THUMBSCREW



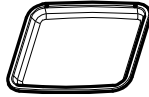
78146/EG
OVEN DISH



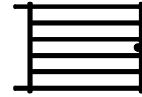
70145
ELEMENT
SUPPORT ROD



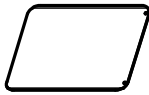
78095/EG
ELEMENT GUARD



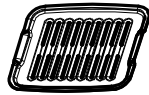
78147/EG
GRILL PAN



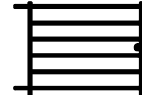
78074
SIDE RUNNER 6-bar



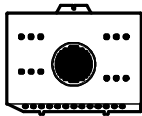
78087/GBKM
OVEN TRAY



78148/EG
SMOKELESS GRILL
TRAY



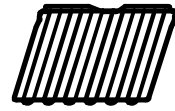
78117/78118
SIDE RUNNER 7-bar



70108/GBKM
FAN BAFFLE



71062
GRILL PAN RACK
(SEPARATE GRILL)



78164
OVEN RACK

Part No	3U600W	3U601W	3U601HW	3U602W	3U603W	3U604W	3U605W	3U606W	3U607W	3U608W	3U609W
70145	1	1	1	1	1	1	1	1	1	1	1
78074	2	2	2	2					2		2
78117					1	1	1	1		1	
78118					1	1	1	1		1	
78164	2	2	2	2	3	3	3	3	2	3	2
78073	2	2	2	2	3	3	3	3	2	3	2
78087/GBKM	1	1	1	1	2	2	2	2	1	2	1
78146/EG	1	1	1	1	1	1	1	1	1	1	1
78147/EG									1	1	
78148/EG	1	1	1	1	1	1		1	1	1	1
71062									1	1	
78095/EG			1								
70108/GBKM					1	1	1	1		1	

